



US00D958624S

(12) **United States Design Patent**
King et al.

(10) **Patent No.:** **US D958,624 S**
(45) **Date of Patent:** **** Jul. 26, 2022**

(54) **PNEUMATIC IMPACT WRENCH**

(71) Applicant: **Snap-on Incorporated**, Kenosha, WI (US)

(72) Inventors: **Brian C. King**, Kenosha, WI (US);
Richard Bothmann, Kenosha, WI (US); **Raymond Kinsley**, Kenosha, WI (US)

(73) Assignee: **Snap-on Incorporated**, Kenosha, WI (US)

(**) Term: **15 Years**

(21) Appl. No.: **29/733,406**

(22) Filed: **May 1, 2020**

(51) **LOC (13) Cl.** **08-05**

(52) **U.S. Cl.**
USPC **D8/68**

(58) **Field of Classification Search**
USPC D8/61, 67, 68
CPC B62D 23/005; B62D 29/00; B62D 29/043;
B62D 31/00; B62D 33/046; B62D 35/00;
B62D 35/001; B60Q 1/0005
See application file for complete search history.

D469,673 S * 2/2003 Sliker D8/68
D472,782 S * 4/2003 Pusateri D8/68
D476,210 S * 6/2003 Chen D8/68
D477,512 S * 7/2003 Liu D8/68
D493,085 S * 7/2004 Copeland, II D8/68
D496,243 S * 9/2004 Huang D8/68
D497,529 S * 10/2004 Price D8/68
D497,787 S * 11/2004 Liao D8/68
6,883,619 B1 * 4/2005 Huang B25B 21/02
173/168
D507,732 S * 7/2005 Nowak D8/68
D521,339 S * 5/2006 Chen D8/68
D534,047 S * 12/2006 Chi D8/68
D540,641 S * 4/2007 Clay D8/68
7,673,702 B2 * 3/2010 Johnson B25B 21/00
173/93
D716,125 S * 10/2014 Yaschur D8/68
D774,860 S * 12/2016 Colin D8/68
D775,919 S * 1/2017 Lee D8/68
D837,622 S * 1/2019 Chang D8/68

(Continued)

Primary Examiner — Darlington Ly
(74) *Attorney, Agent, or Firm* — Seyfarth Shaw LLP

(57) **CLAIM**

The ornamental design for a pneumatic impact wrench, as shown and described.

DESCRIPTION

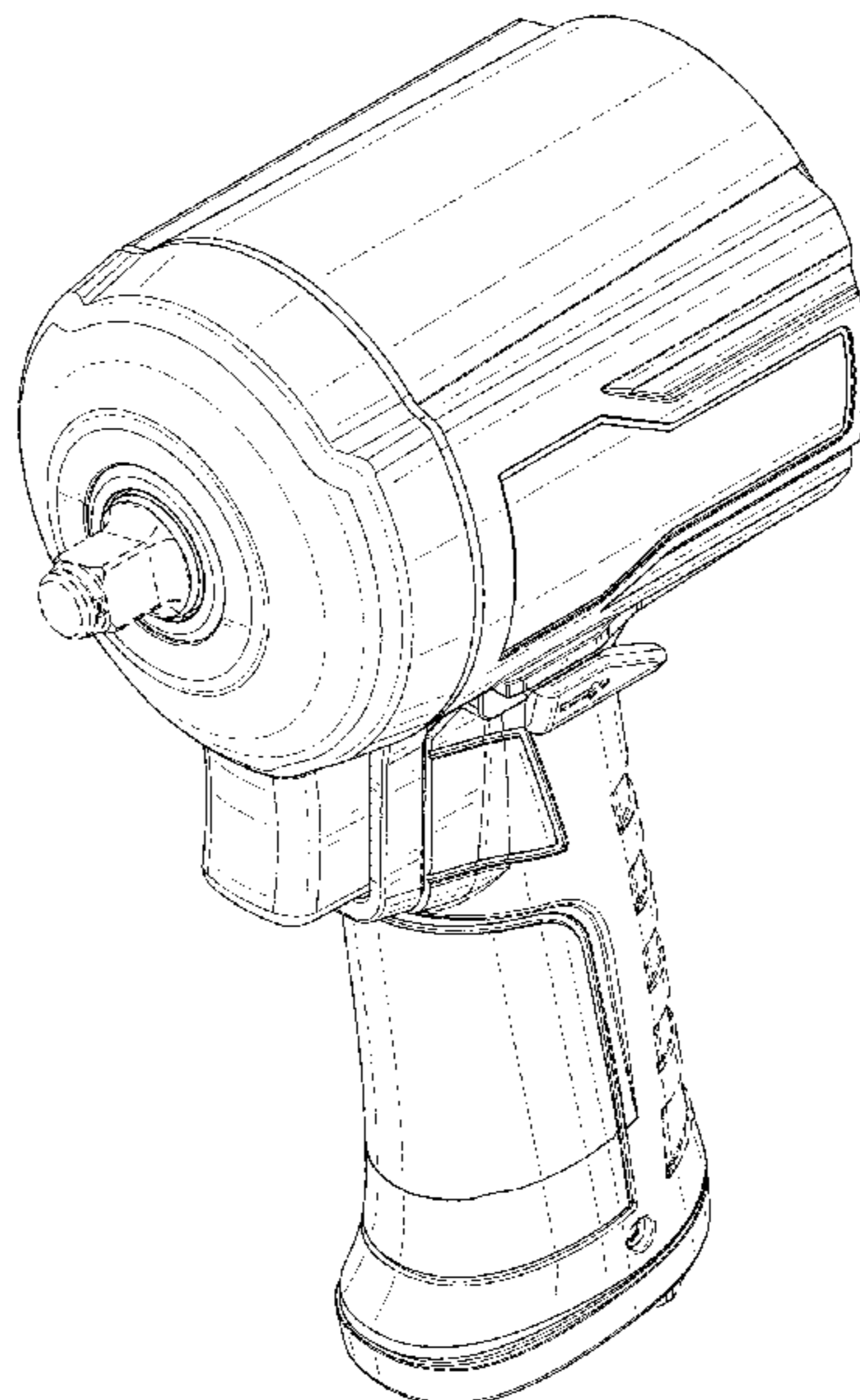
FIG. 1 is a front perspective view of a pneumatic impact wrench embodying our new design;
FIG. 2 is a front elevation view thereof;
FIG. 3 is a rear elevation view thereof;
FIG. 4 is a right side elevation view thereof;
FIG. 5 is a left side elevation view thereof;
FIG. 6 is a top plan view thereof; and,
FIG. 7 is a bottom plan view thereof.
The broken lines in the drawings illustrate portions of the pneumatic impact wrench that form no part of the claimed design.

1 Claim, 7 Drawing Sheets

(56) **References Cited**

U.S. PATENT DOCUMENTS

D294,001 S * 2/1988 Greenlee D8/68
D388,678 S * 1/1998 Bantly D8/68
D393,580 S * 4/1998 Bantly D8/68
6,082,468 A * 7/2000 Pusateri B25B 21/02
173/170
D434,297 S * 11/2000 Iritani D8/68
D434,298 S * 11/2000 Izumisawa D8/68
D436,818 S * 1/2001 Izumisawa D8/68
D459,179 S * 6/2002 Morgan D8/68
D461,110 S * 8/2002 Izumisawa D8/68
D465,982 S * 11/2002 Taga D8/68



(56)

References Cited

U.S. PATENT DOCUMENTS

D853,217	S	*	7/2019	Paoli	D8/68
D899,208	S	*	10/2020	Thompson	D8/68
D899,210	S	*	10/2020	Thompson	D8/68
D906,076	S	*	12/2020	James	D8/68
D915,853	S	*	4/2021	Lee	D8/68
D929,834	S	*	9/2021	James	D8/68
D929,835	S	*	9/2021	James	D8/68
D929,836	S	*	9/2021	James	D8/68
2002/0152848	A1	*	10/2002	Johnson	B25B 23/0035 81/465
2003/0010513	A1	*	1/2003	Taga	B25B 21/00 173/168
2003/0010514	A1	*	1/2003	Taga	B25B 21/02 173/213

* cited by examiner

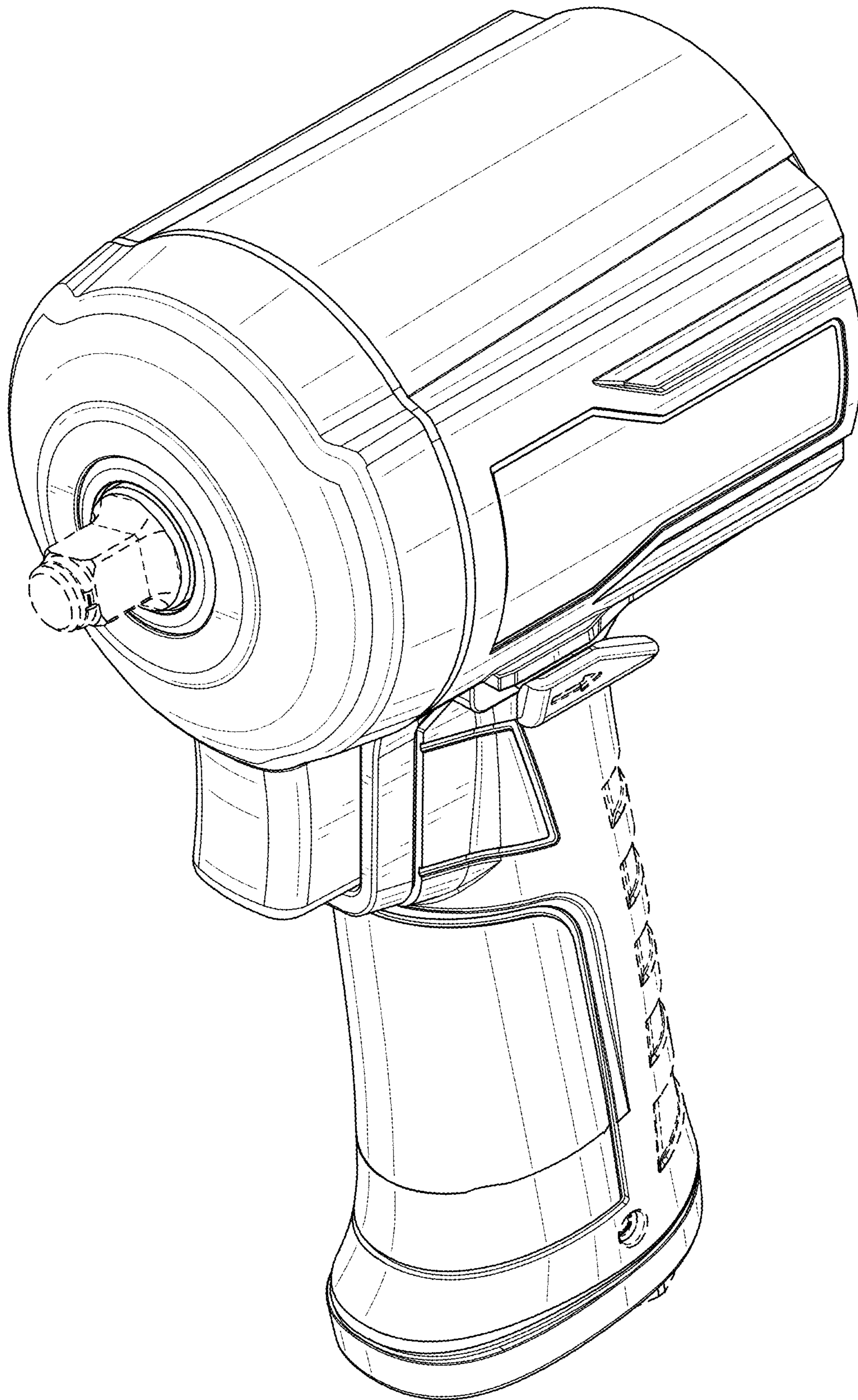


FIG. 1

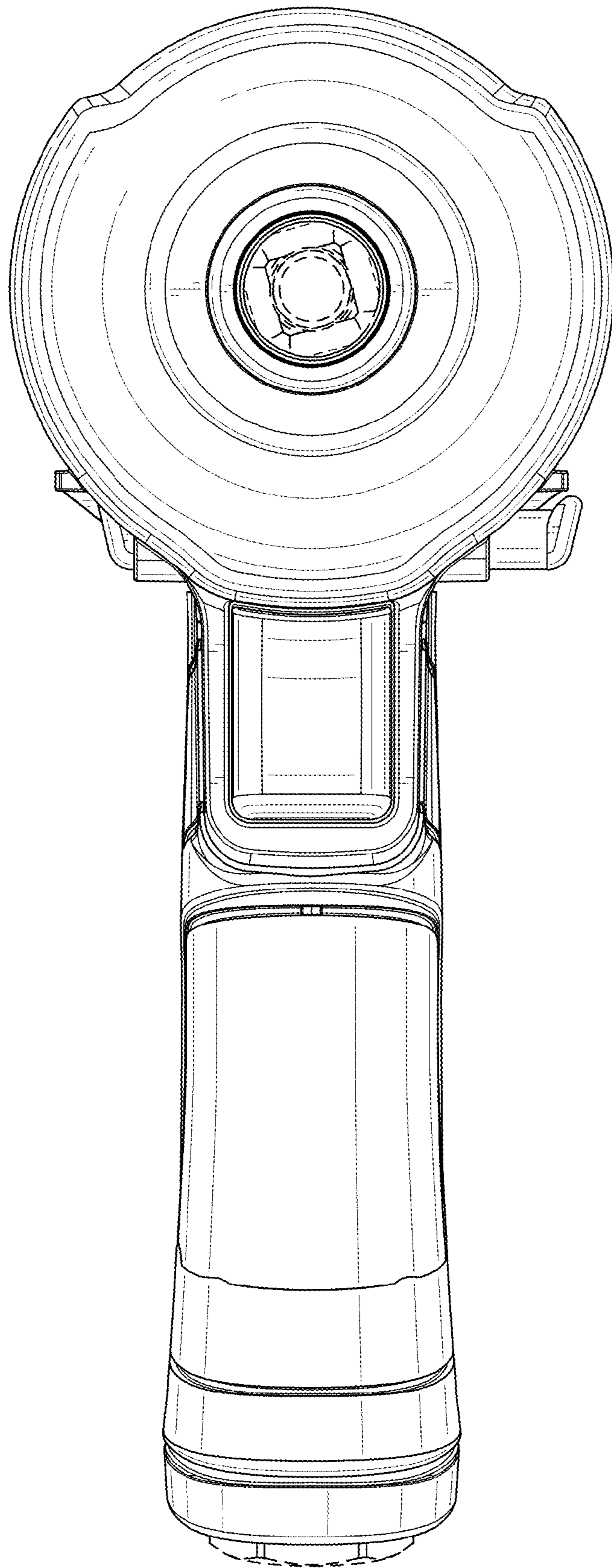


FIG. 2

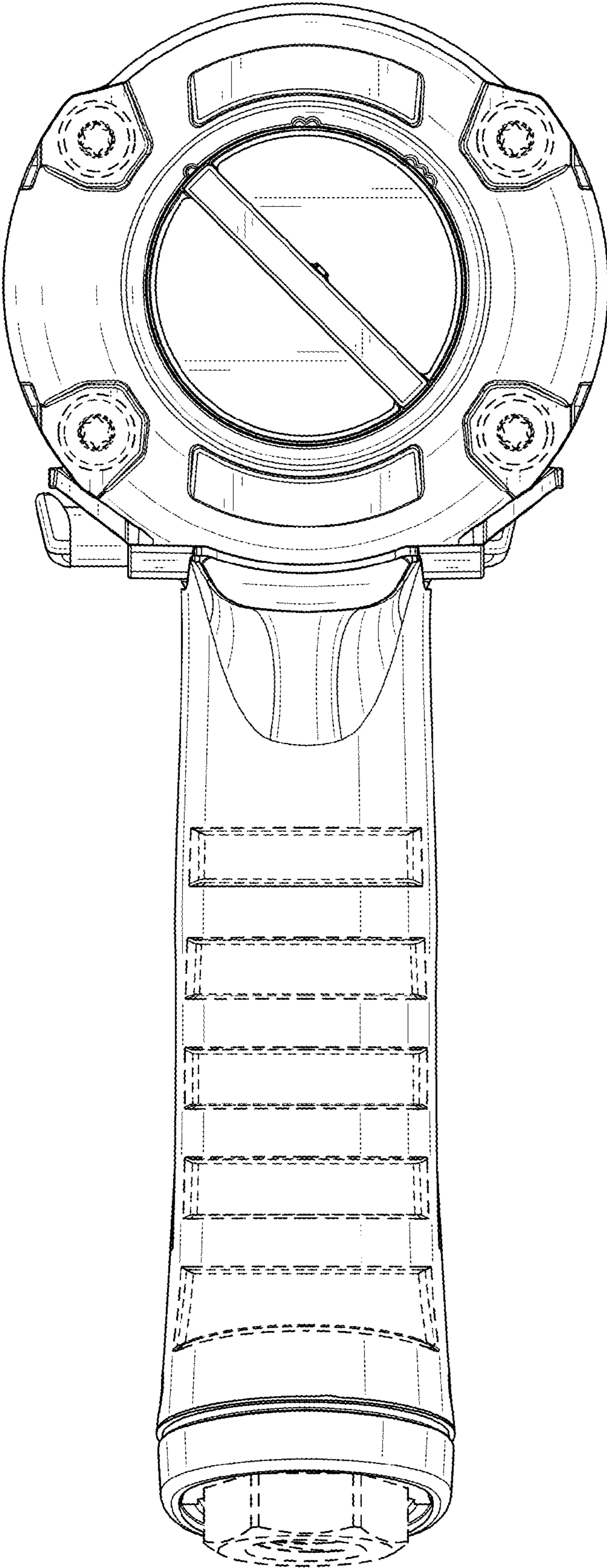


FIG. 3

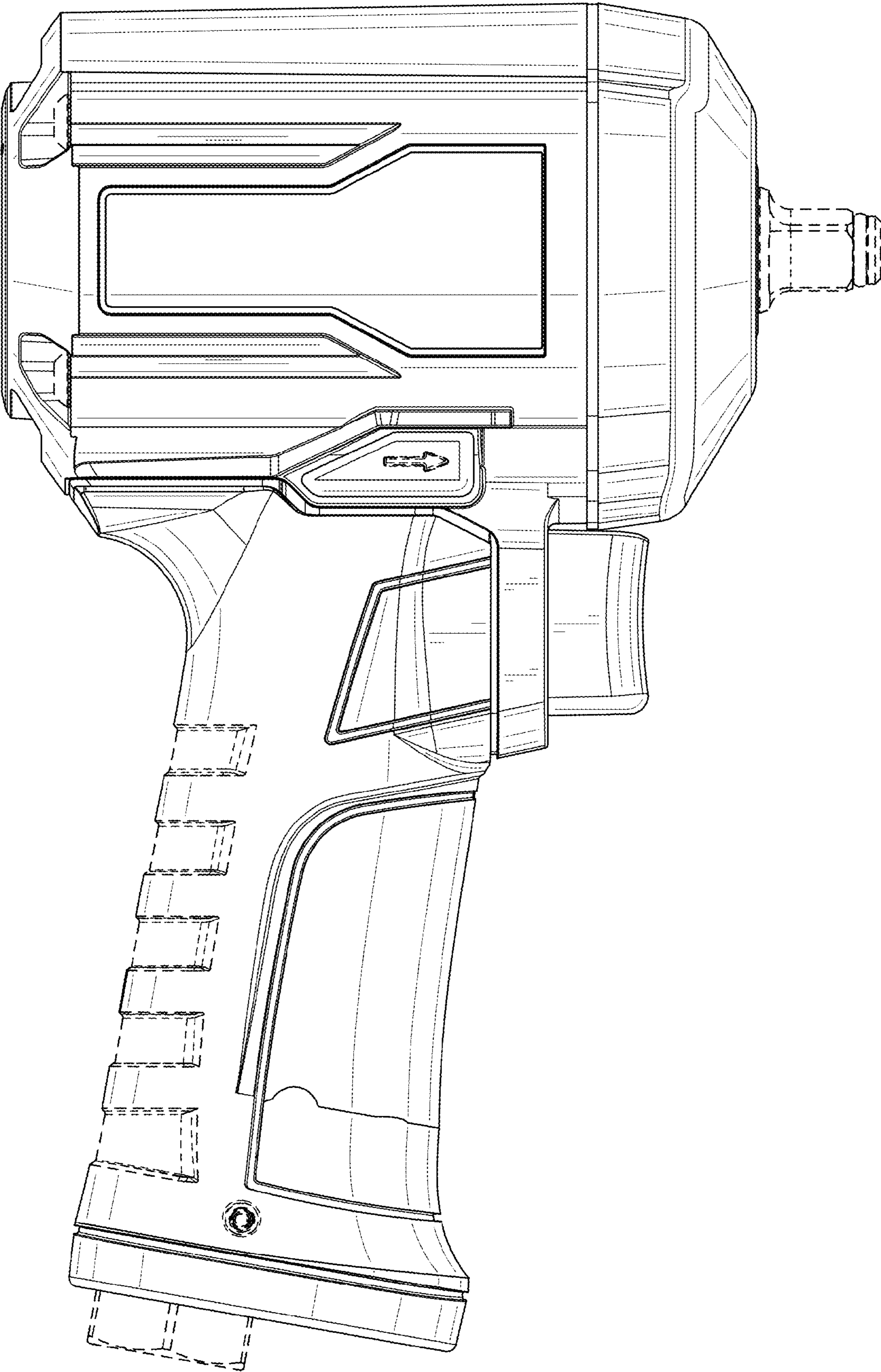


FIG. 4

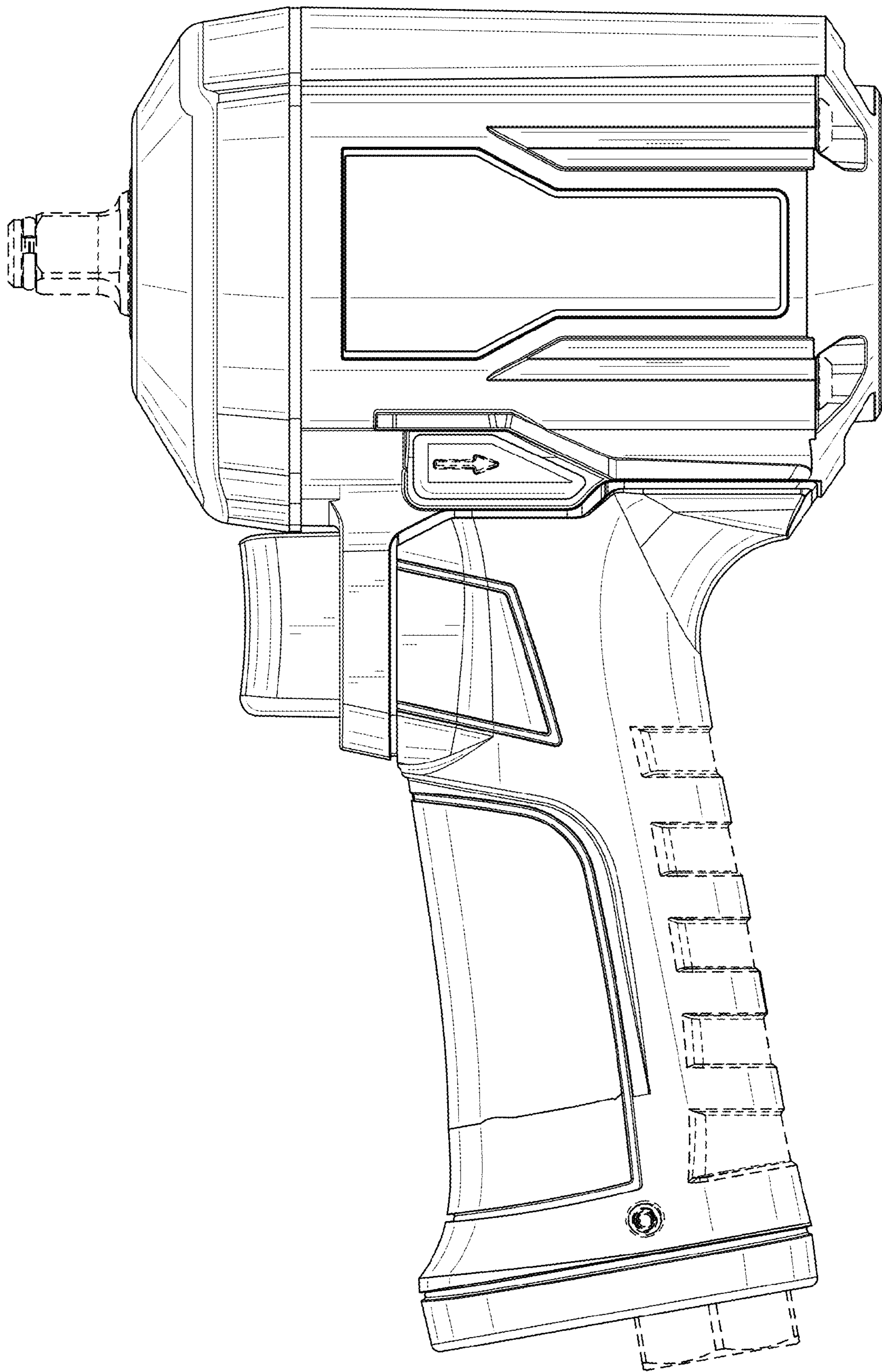


FIG. 5

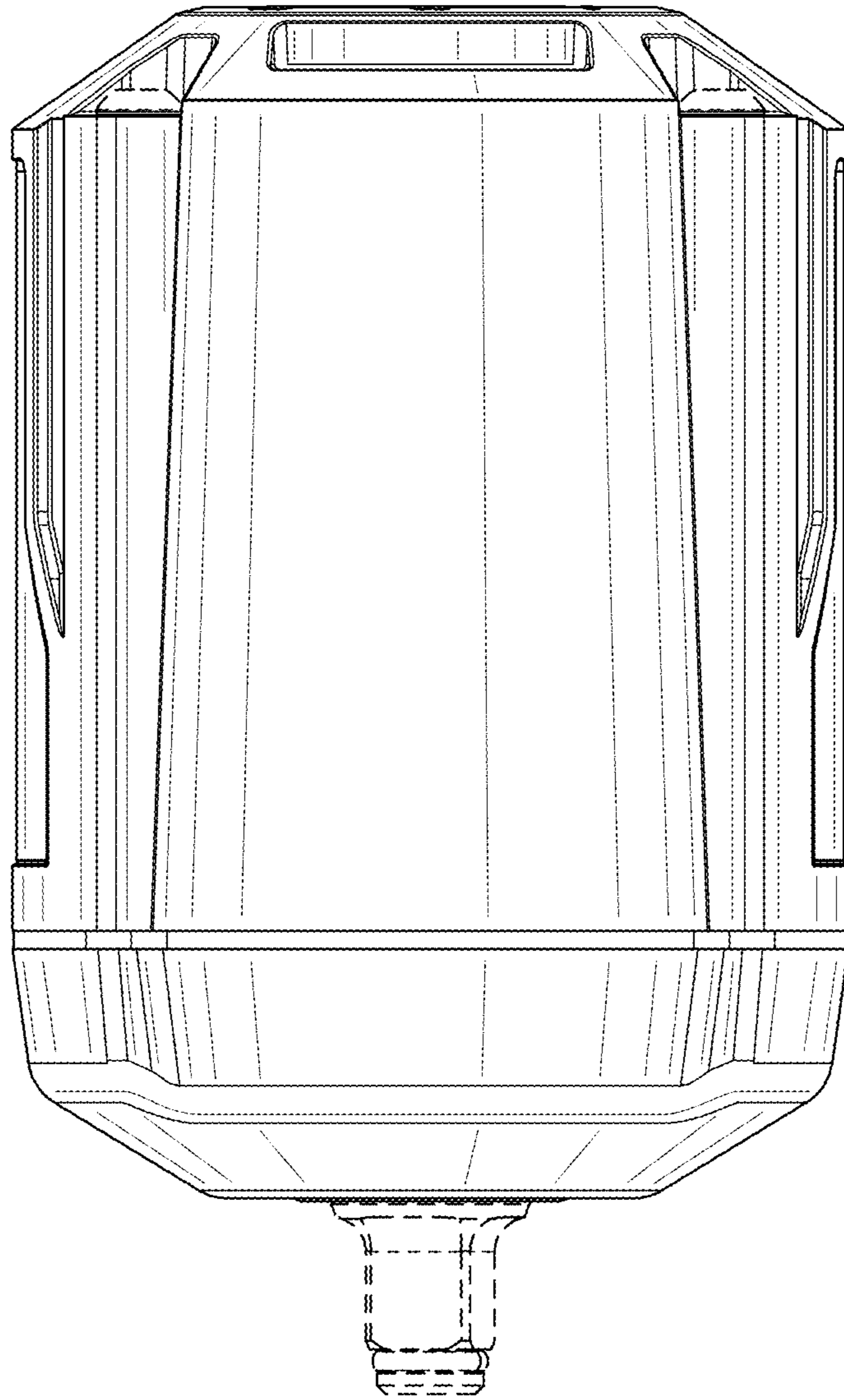


FIG. 6

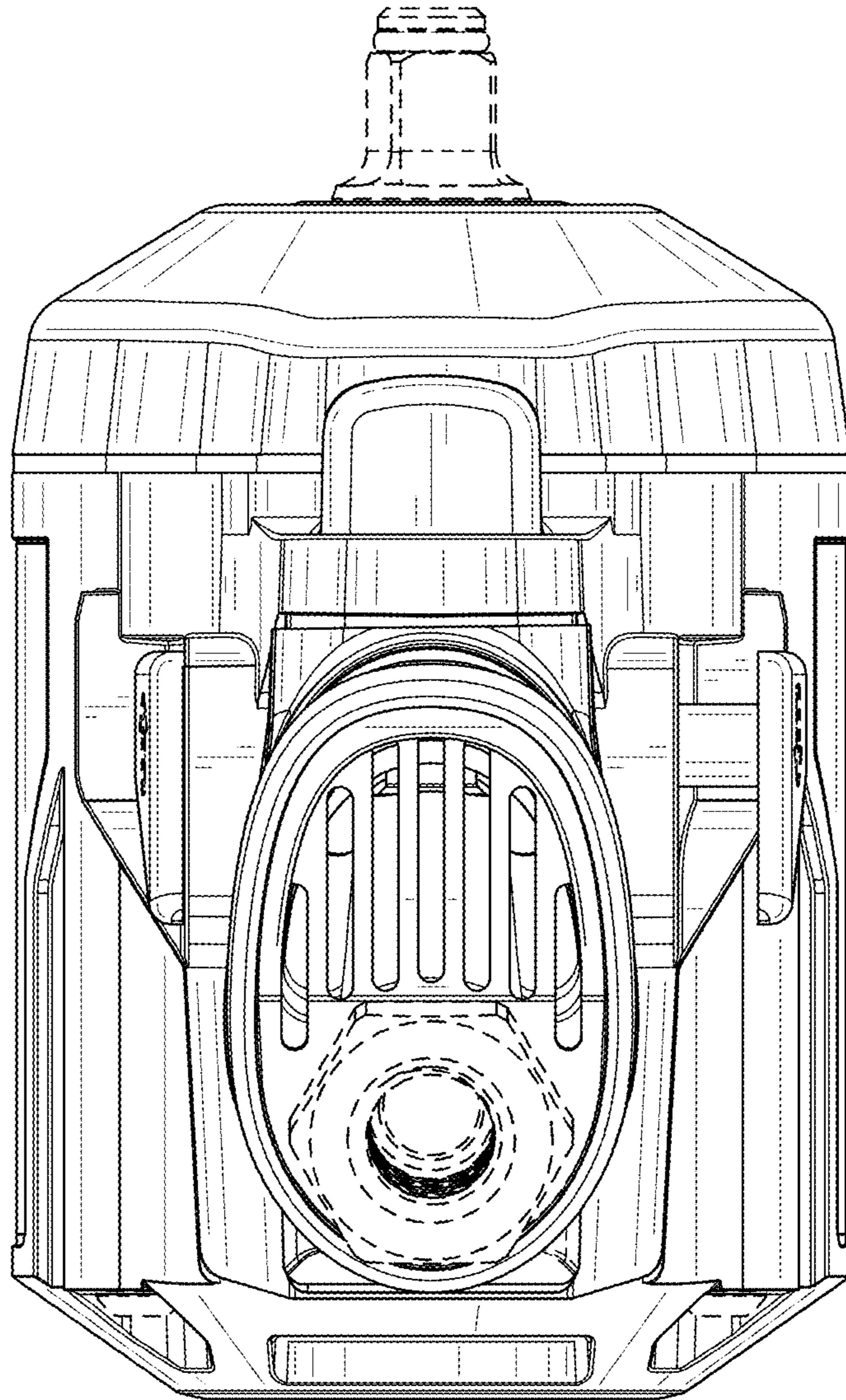


FIG. 7