



US00D958623S

(12) **United States Design Patent** (10) **Patent No.:** **US D958,623 S**
Qing (45) **Date of Patent:** **** Jul. 26, 2022**

- (54) **HOT GLUE GUN**
- (71) Applicant: **Dongguan Ruijiang Intelligent Technology Co., Ltd.**, Guangdong (CN)
- (72) Inventor: **Haiwen Qing**, Hunan (CN)
- (73) Assignee: **Dongguan Ruijiang Intelligent Technology Co., Ltd.**, Guangdong (CN)
- (**) Term: **15 Years**
- (21) Appl. No.: **29/764,917**
- (22) Filed: **Jan. 4, 2021**
- (51) **LOC (13) Cl.** **08-05**
- (52) **U.S. Cl.**
USPC **D8/30**
- (58) **Field of Classification Search**
USPC D8/14.1, 29.1, 29.2, 30, 51, 68
CPC B05C 17/0053; B05C 17/00546; B05C 17/00526; B05C 17/01
See application file for complete search history.

(56) **References Cited**

U.S. PATENT DOCUMENTS

D303,612 S *	9/1989	Knispel	D8/30
D404,622 S *	1/1999	Singleton	D8/29.1
D411,421 S *	6/1999	Mayeur	D8/30
6,105,824 A *	8/2000	Singleton	B05C 17/00546 219/229
6,170,709 B1 *	1/2001	Huang	B05C 17/00546 222/146.5
D510,243 S *	10/2005	Lee	D8/30
D514,406 S *	2/2006	Lee	D8/30
D535,167 S *	1/2007	Monfeli	D8/30

D601,397 S *	10/2009	Johnsen	D8/75
D671,385 S *	11/2012	Yung-Kuan	D8/30
D793,193 S *	8/2017	Lee	D8/30
D870,525 S *	12/2019	Zhang	D8/30
D879,568 S *	3/2020	Wang	D8/30
D897,796 S *	10/2020	Wang	D8/30
D948,300 S *	4/2022	Wang	D8/30
2007/0045345 A1 *	3/2007	Monfeli	B05C 17/00526 222/173
2017/0080449 A1 *	3/2017	Lee	B05C 17/0053
2017/0128977 A1 *	5/2017	Hsu	B05C 17/0052
2021/0268538 A1 *	9/2021	Lu	B05C 17/00546

* cited by examiner

Primary Examiner — Philip S Hyder

(74) *Attorney, Agent, or Firm* — ScienBiziP, P.C.

(57) **CLAIM**

The ornamental design for a hot glue gun, as shown and described.

DESCRIPTION

FIG. 1 is a front and right perspective view of a hot glue gun, showing my design.

FIG. 2 is a rear and left perspective view thereof.

FIG. 3 is a front elevation view thereof.

FIG. 4 is a rear elevation view of the hot glue gun thereof.

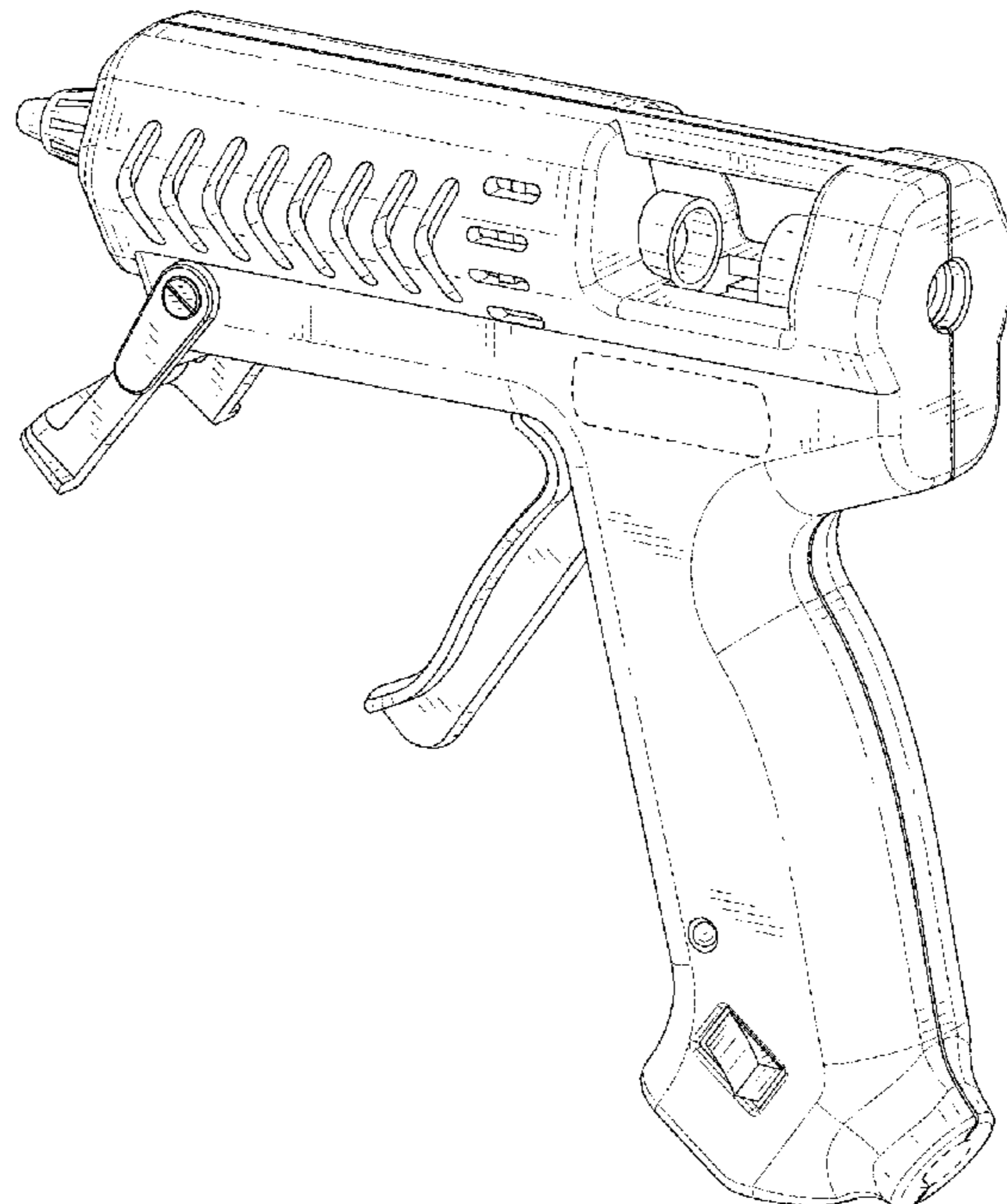
FIG. 5 is a left side elevation view of the hot glue gun thereof.

FIG. 6 is a right side elevation view of the hot glue gun thereof.

FIG. 7 is a top plan view of the hot glue gun thereof; and, FIG. 8 is a bottom plan view of the hot glue gun thereof.

The broken lines depict portions of the hot glue gun in which the design is embodied that are not considered part of the claimed design.

1 Claim, 8 Drawing Sheets



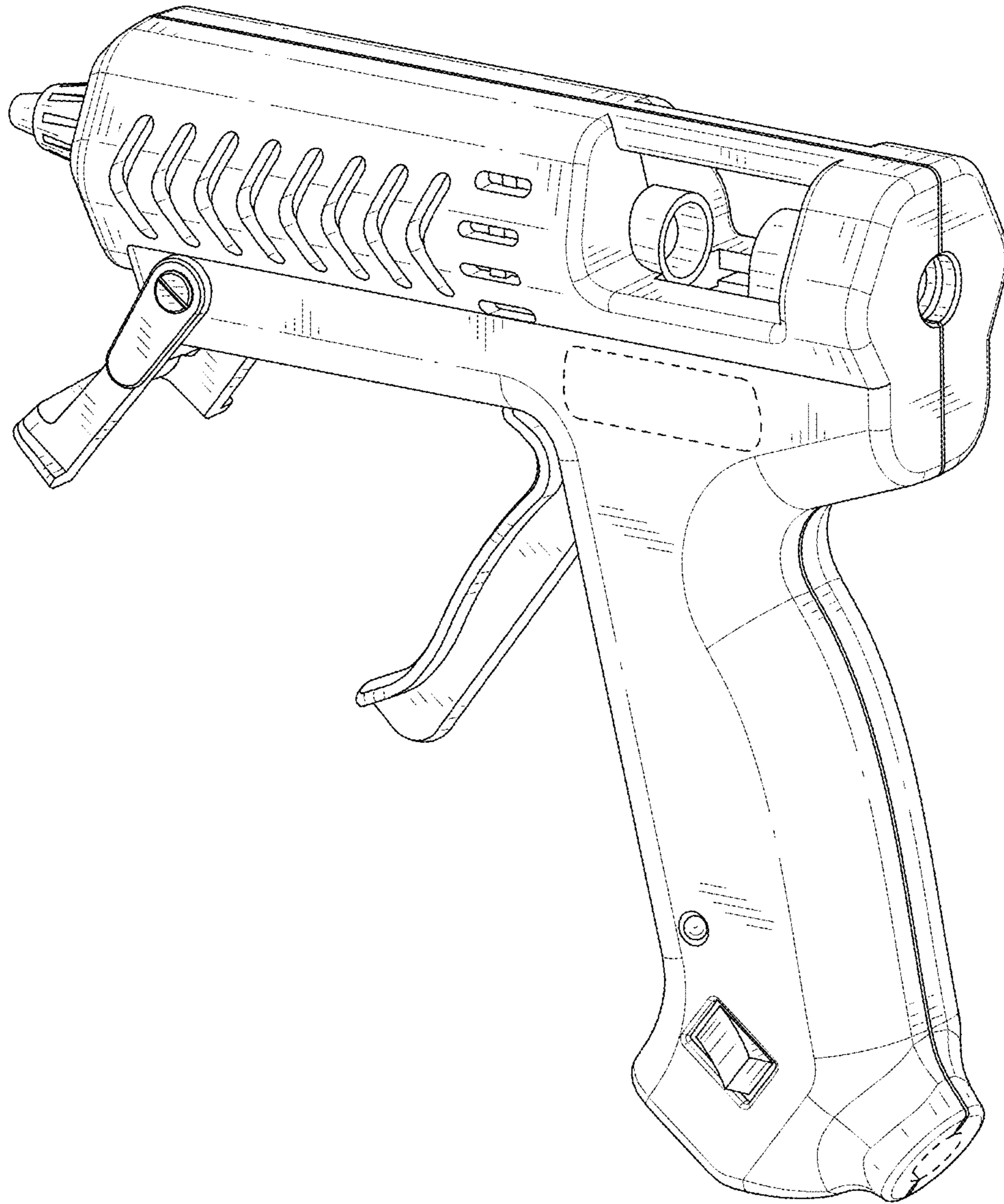


FIG. 1

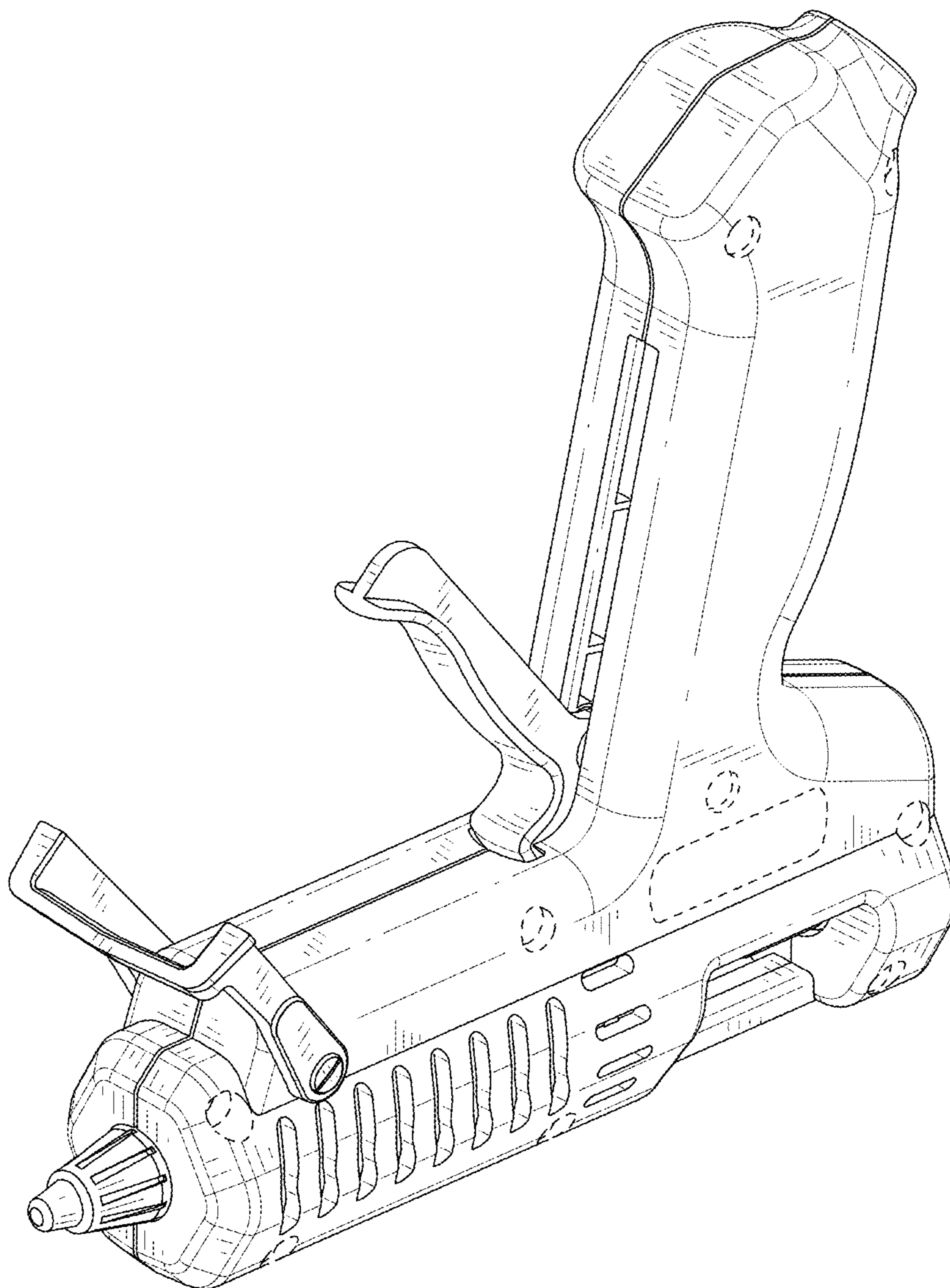


FIG. 2

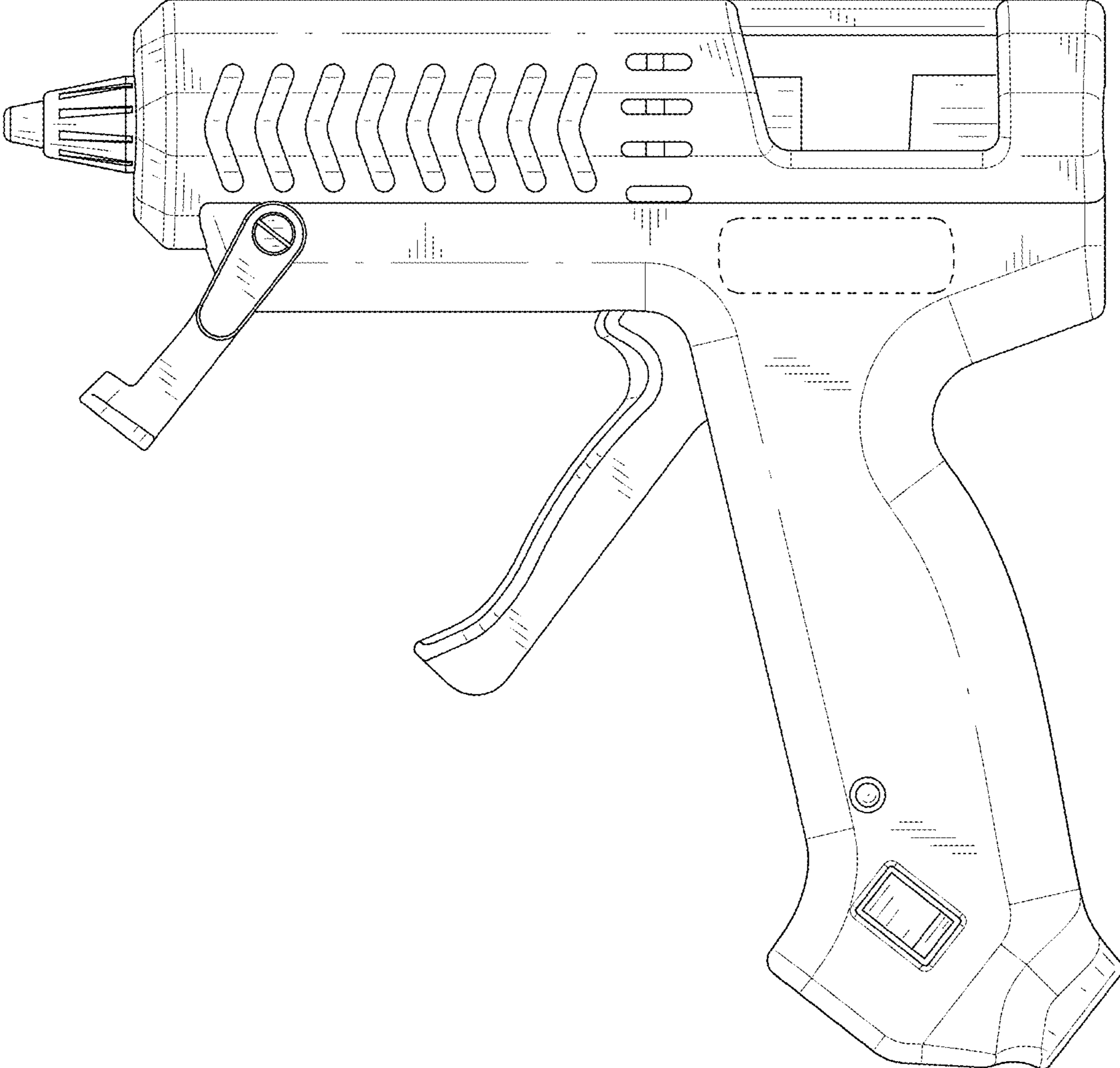


FIG. 3

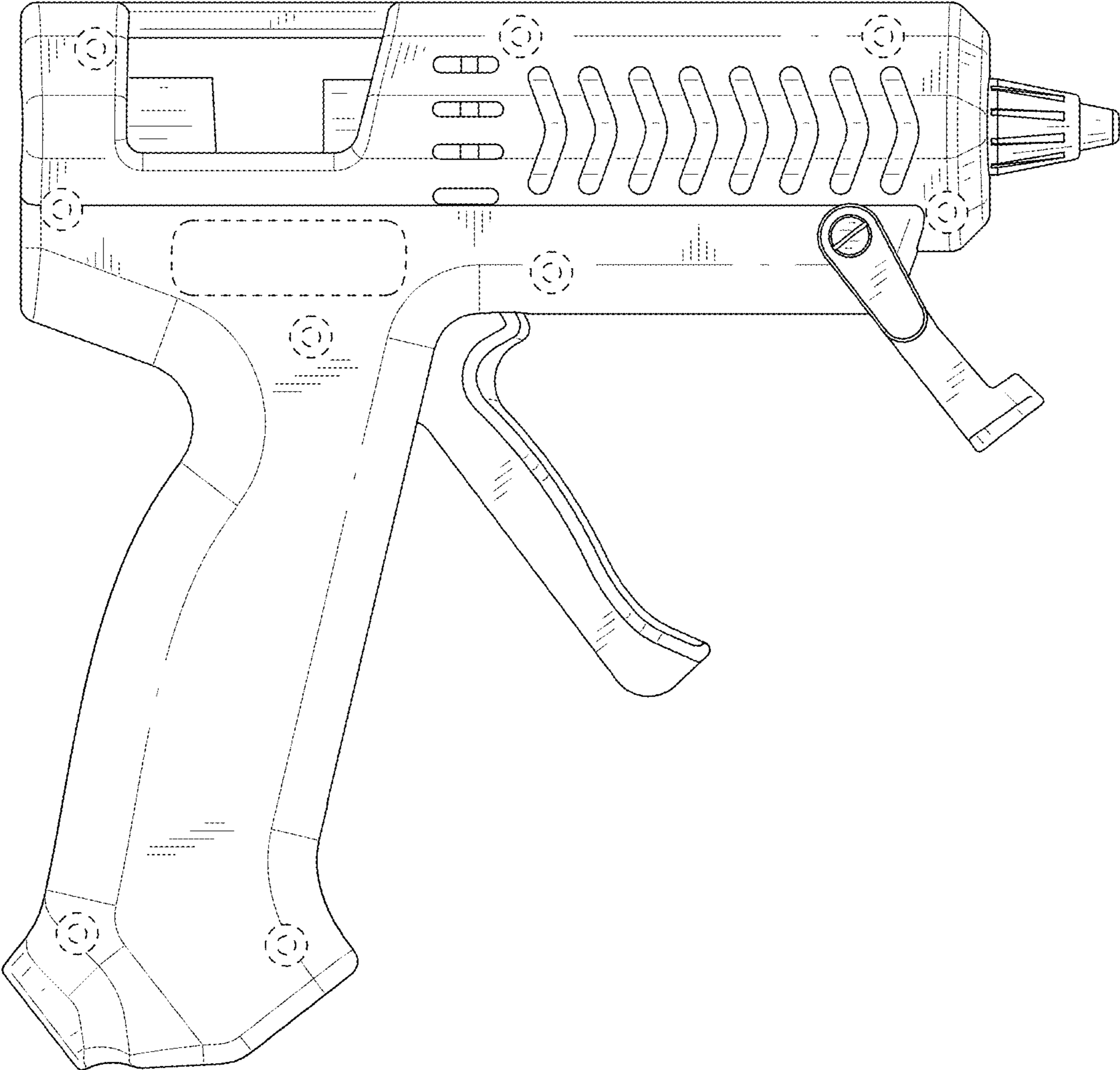


FIG. 4

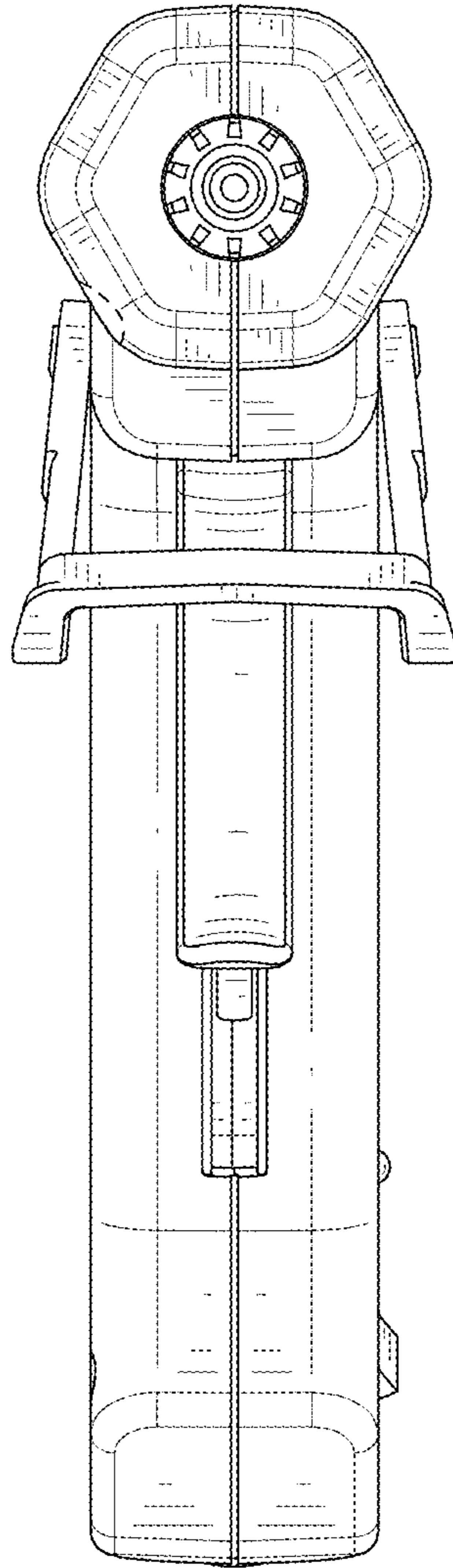


FIG. 5

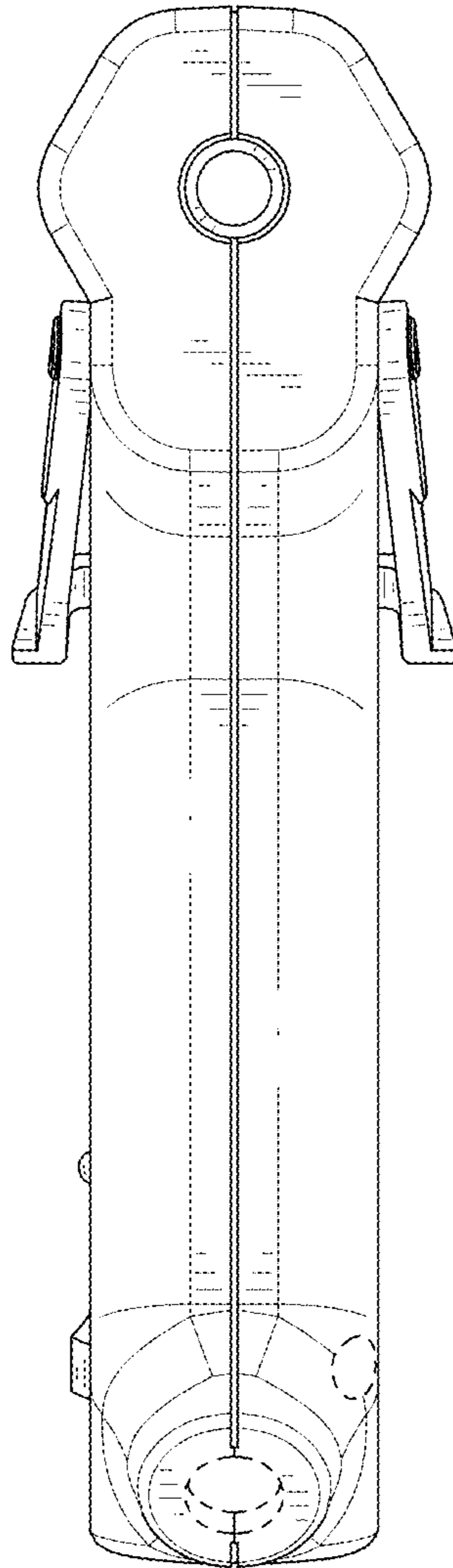


FIG. 6

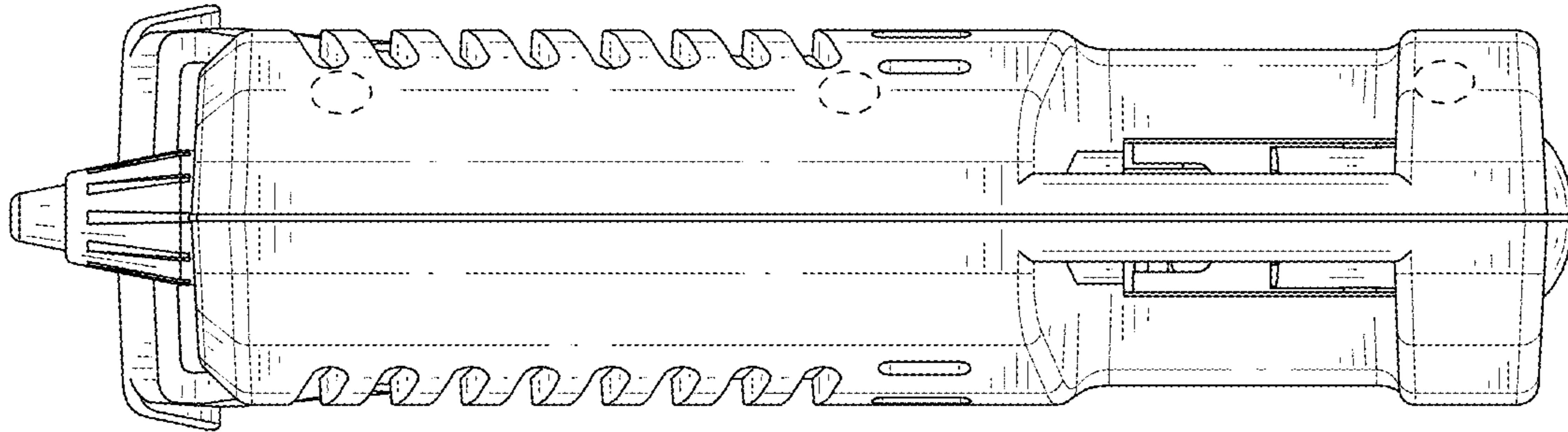


FIG. 7

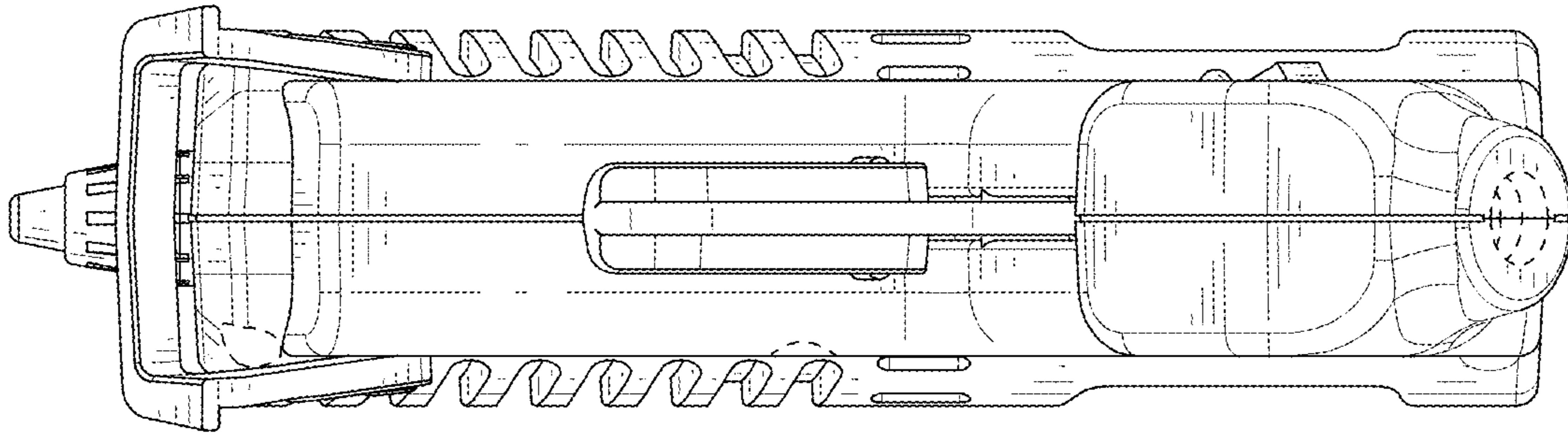


FIG. 8