



US00D958622S

(12) **United States Design Patent** (10) **Patent No.:** **US D958,622 S**
Wang (45) **Date of Patent:** **** Jul. 26, 2022**

(54) **HOT FIX APPLICATOR** 6,820,768 B2 * 11/2004 Belanger B05C 17/00526
 222/391
 (71) Applicant: **NINGBO ZHENHAI KANGRUN** D724,400 S * 3/2015 Filian D8/30
METAL PRODUCTS CO. LTD, D740,630 S * 10/2015 Hasenmayer D8/30
 Ningbo (CN) D741,127 S * 10/2015 Hasenmayer D8/30
 D741,128 S * 10/2015 Hasenmayer D8/30
 D817,394 S * 5/2018 Seferi D19/66
 10,406,554 B2 * 9/2019 Seferi B05C 17/0053
 2012/0048889 A1 * 3/2012 Yung-Kuan B05C 17/0053
 226/127
 2017/0282208 A1 * 10/2017 Seferi B05C 17/0053

(**) Term: **15 Years**

(21) Appl. No.: **29/737,837**

(22) Filed: **Jun. 12, 2020**

(51) **LOC (13) Cl.** **08-05**

(52) **U.S. Cl.**
USPC **D8/30**

(58) **Field of Classification Search**
 USPC D8/14, 29.1, 30, 51, 61; D19/66
 CPC B05C 17/0053; B05C 17/00546; B05C
 17/00583; B05C 17/01; B05C 17/0123;
 A01K 13/001; A23G 3/28; A61M
 5/31581; A61M 5/31595
 See application file for complete search history.

(56) **References Cited**

U.S. PATENT DOCUMENTS

D469,670 S * 2/2003 Belanger D8/30
 6,747,251 B1 * 6/2004 Belanger B05C 17/00546
 219/535

* cited by examiner

Primary Examiner — Darlington Ly

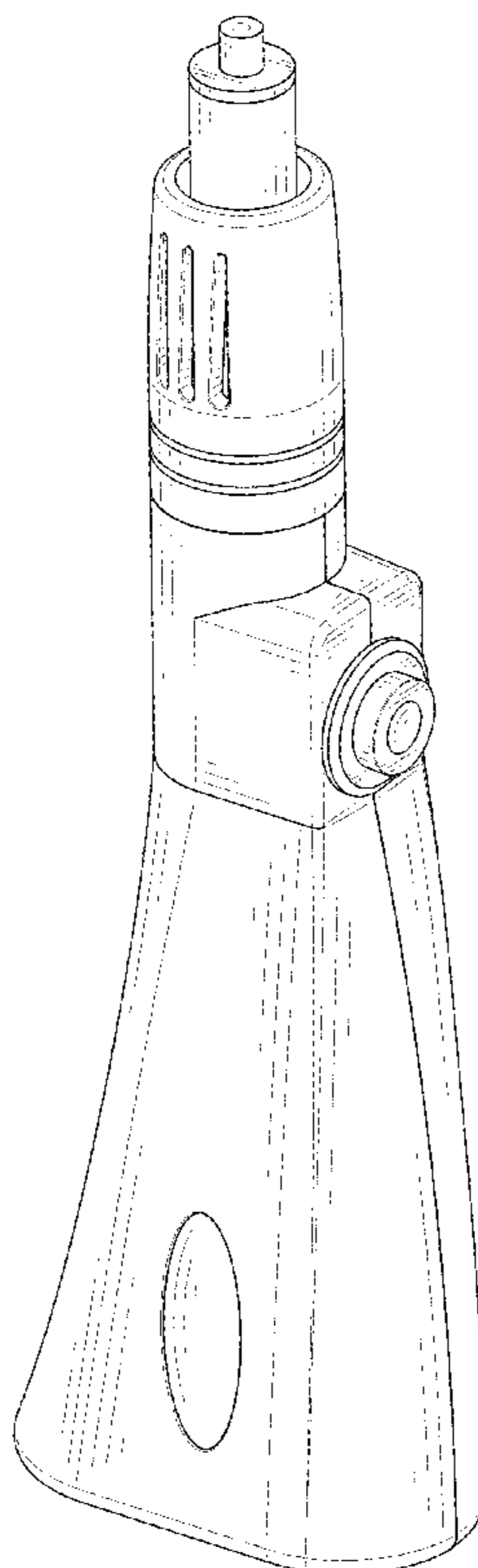
(57) **CLAIM**

The ornamental design for a hot fix applicator, as shown and described.

DESCRIPTION

FIG. 1 is a perspective view of a hot fix applicator showing my new design;
 FIG. 2 is another perspective view thereof;
 FIG. 3 is a front elevational view thereof;
 FIG. 4 is a rear elevational view thereof;
 FIG. 5 is a left side elevational view thereof;
 FIG. 6 is a right side elevational view thereof;
 FIG. 7 is a top plan view thereof; and,
 FIG. 8 is a bottom plan view thereof.
 The broken lines in the drawings depict portions of the hot fix applicator that form no part of the claimed design.

1 Claim, 8 Drawing Sheets



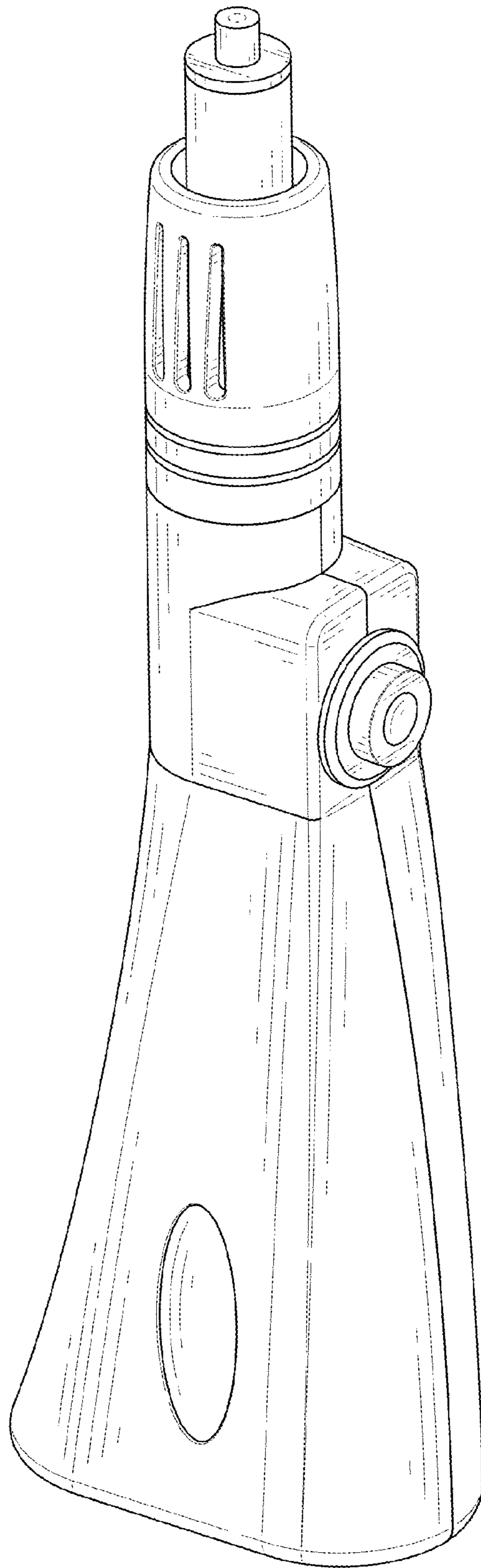


FIG. 1

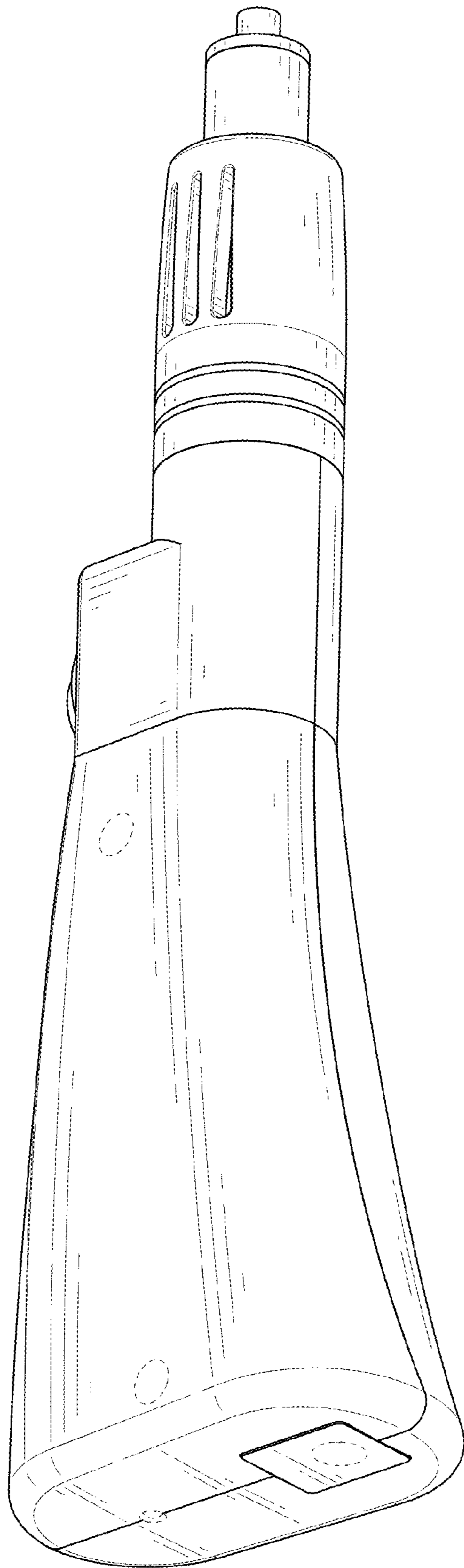


FIG. 2

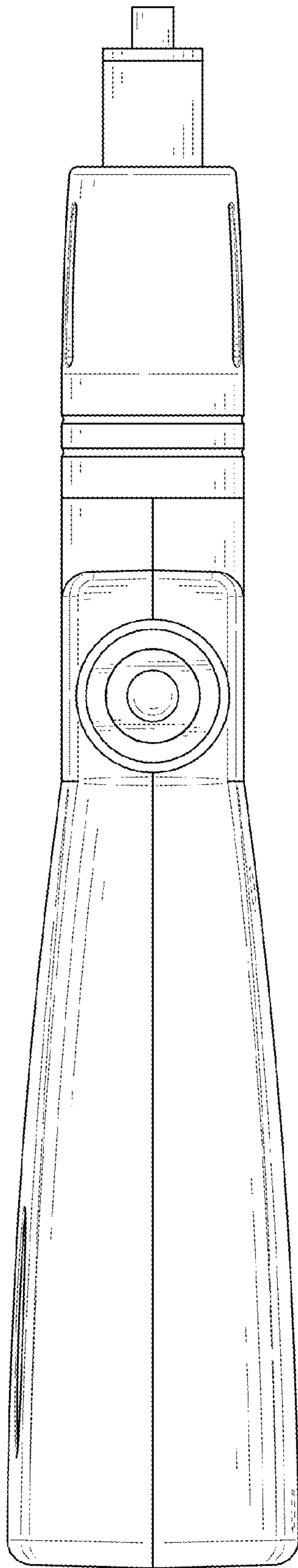


FIG. 3

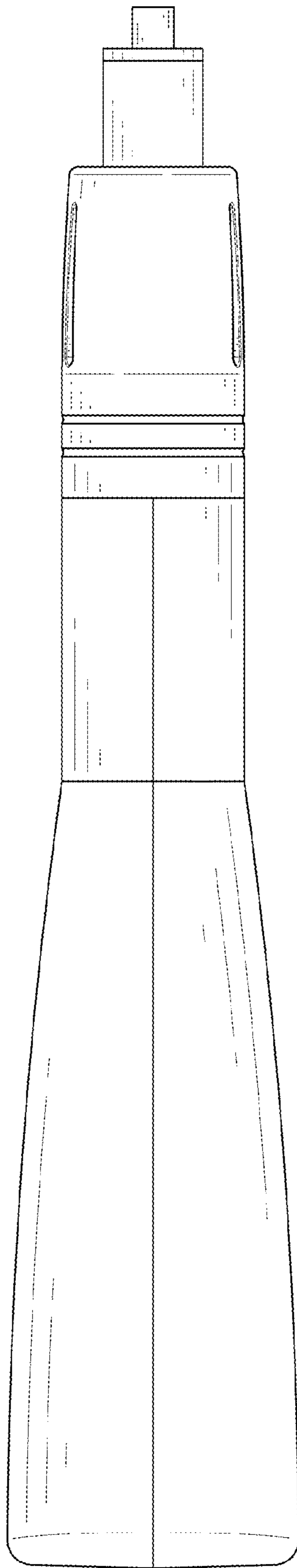


FIG. 4

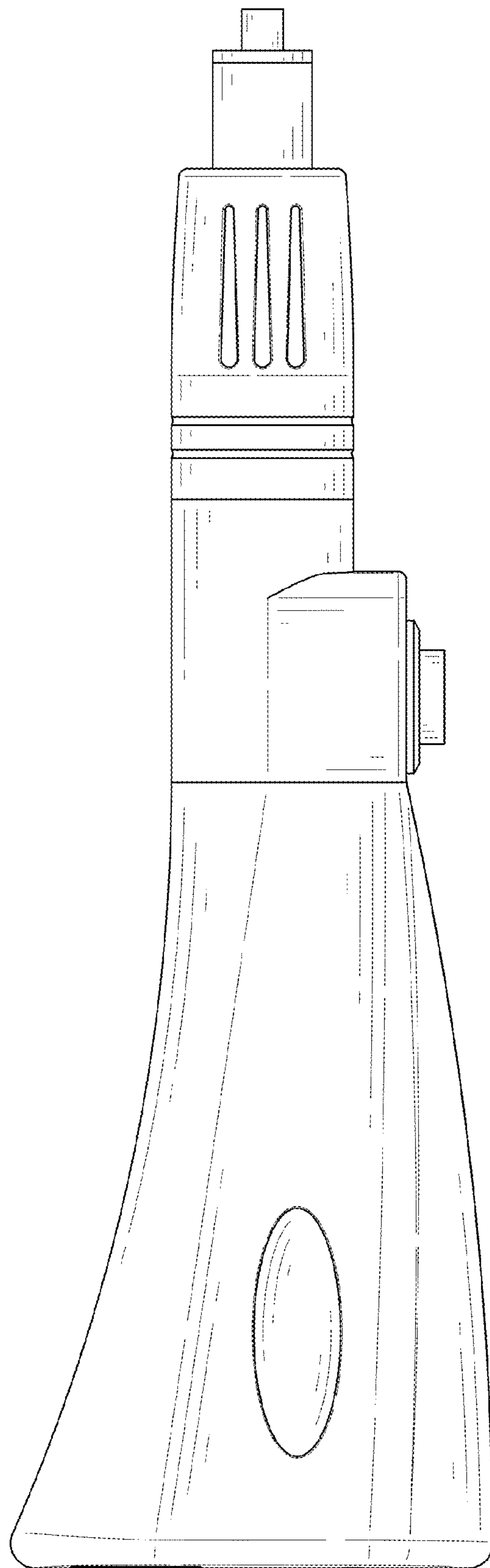


FIG. 5

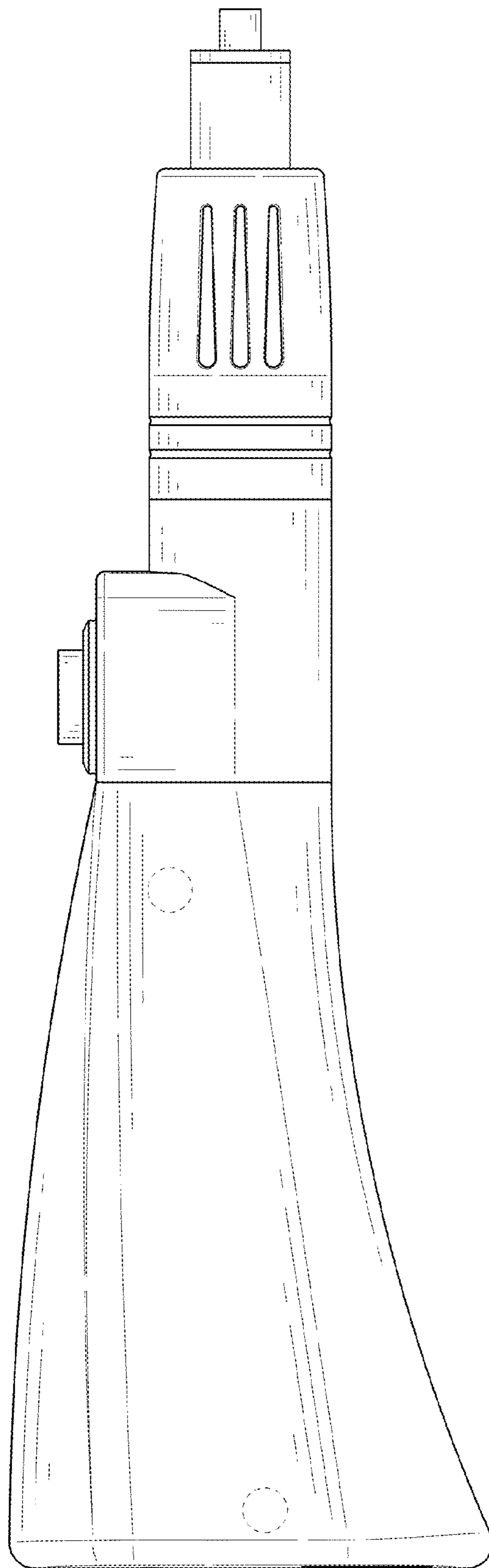


FIG. 6

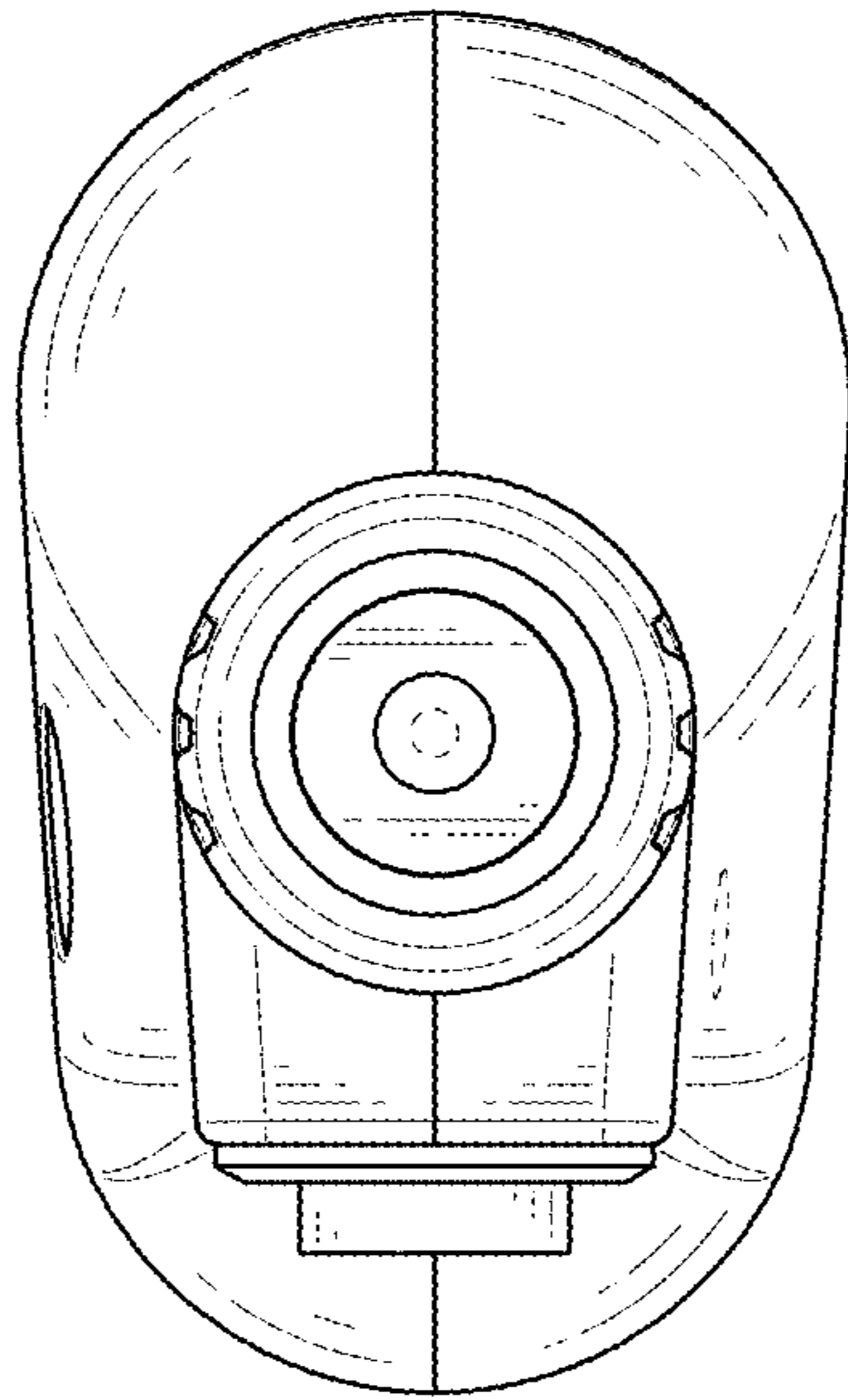


FIG. 7

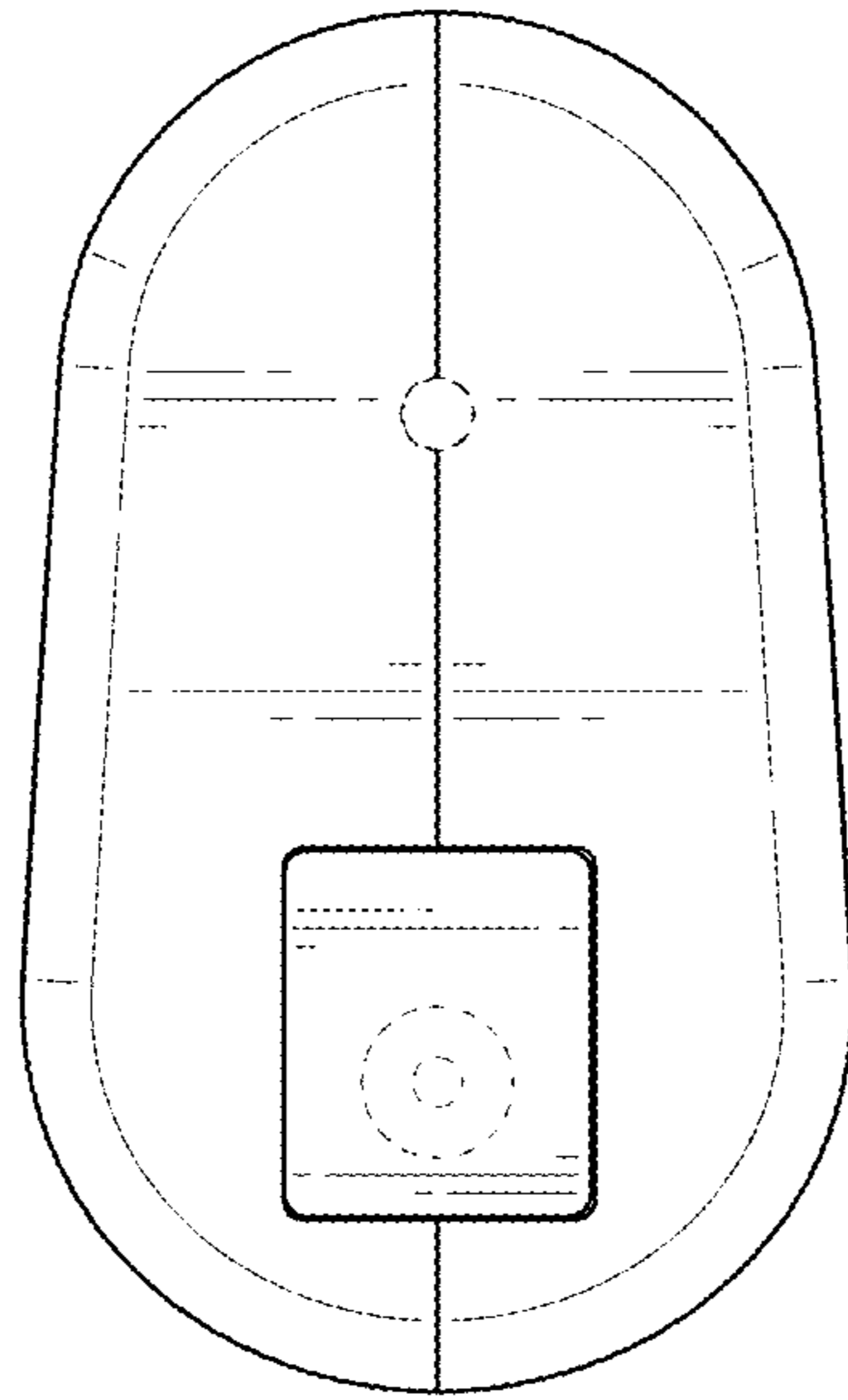


FIG. 8