



US00D958621S

(12) **United States Design Patent**
Wei

(10) **Patent No.:** **US D958,621 S**

(45) **Date of Patent:** **** Jul. 26, 2022**

(54) **MINI HEAT GUN**

(71) Applicant: **Xiao Wei**, Xuzhou (CN)

(72) Inventor: **Xiao Wei**, Xuzhou (CN)

(**) Term: **15 Years**

(21) Appl. No.: **29/759,330**

(22) Filed: **Nov. 21, 2020**

(51) **LOC (13) Cl.** **08-05**

(52) **U.S. Cl.**
USPC **D8/29.1**

(58) **Field of Classification Search**
USPC D8/29.1, 29.2, 30, 61, 67, 68; D28/13
CPC A45D 20/08; A45D 20/10; F24H 3/0423
See application file for complete search history.

(56) **References Cited**

U.S. PATENT DOCUMENTS

D436,507 S *	1/2001	Cheng	D8/29.1
D456,681 S *	5/2002	Cheng	D8/29.1
D458,524 S *	6/2002	Cheng	D8/51
D458,818 S *	6/2002	Cheng	D8/29.1
D475,590 S *	6/2003	Huang	D8/29.1
6,763,183 B1 *	7/2004	Huang	F24H 9/02 392/384
D537,566 S *	2/2007	Kondo	D28/13
D695,958 S *	12/2013	Shami	D28/13
D793,827 S *	8/2017	Huang	D8/29.1
D865,463 S *	11/2019	Lei	D8/29.1

D886,558 S *	6/2020	Koenigsberger	D8/29.1
D889,921 S *	7/2020	Lei	D8/29.1
D891,887 S *	8/2020	Lei	D8/29.1
D931,071 S *	9/2021	Yang	D8/29.1

* cited by examiner

Primary Examiner — Philip S Hyder

(74) *Attorney, Agent, or Firm* — Zhihua Han; Wen IP LLC

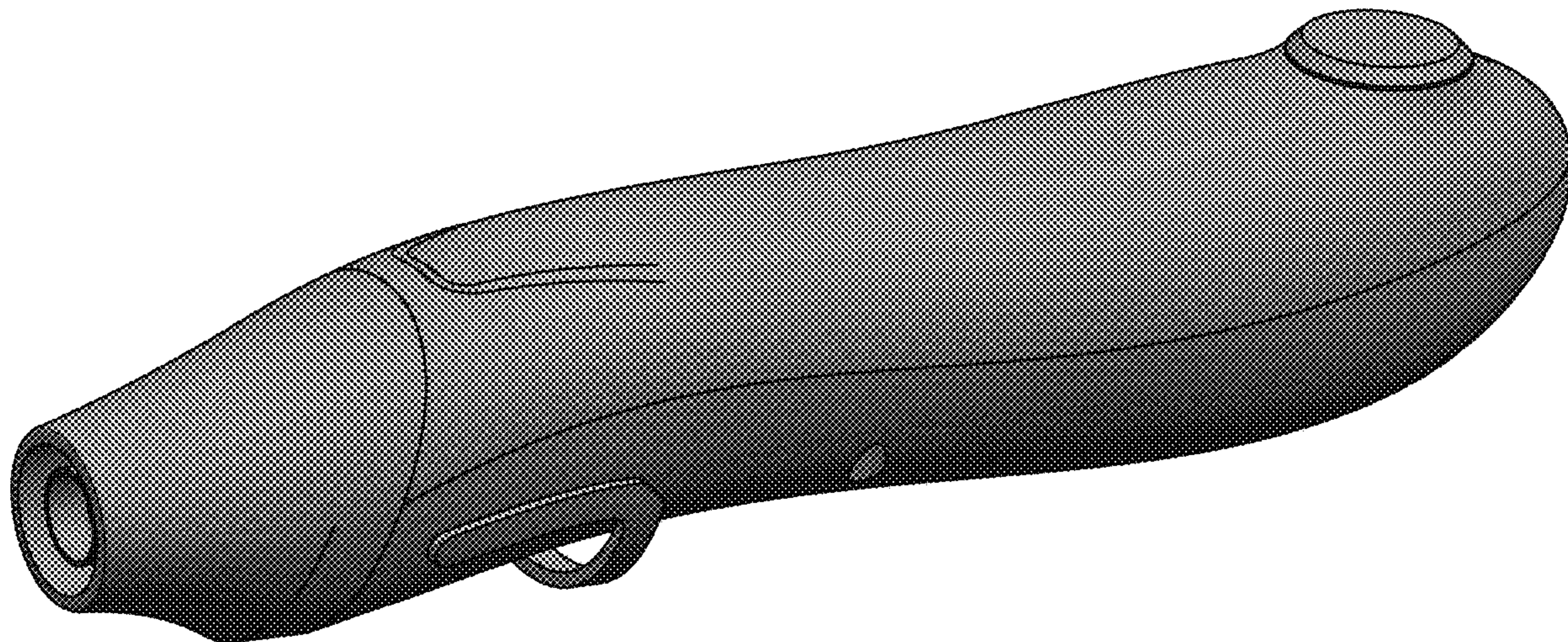
(57) **CLAIM**

The ornamental design for a mini heat gun, as shown and described.

DESCRIPTION

FIG. 1 is a front elevation photographic view of a mini heat gun, showing my new design;
 FIG. 2 is a rear elevation photographic view thereof;
 FIG. 3 is a left side elevation photographic view thereof;
 FIG. 4 is a right side elevation photographic view thereof;
 FIG. 5 is a top plan photographic view thereof;
 FIG. 6 is a bottom plan photographic view thereof;
 FIG. 7 is a perspective photographic view thereof, showing front and bottom view;
 FIG. 8 is a perspective photographic view thereof, showing rear and top view;
 FIG. 9 is a perspective photographic view thereof, showing front and top view; and,
 FIG. 10 is a perspective photographic view thereof, showing rear and bottom view.

1 Claim, 10 Drawing Sheets



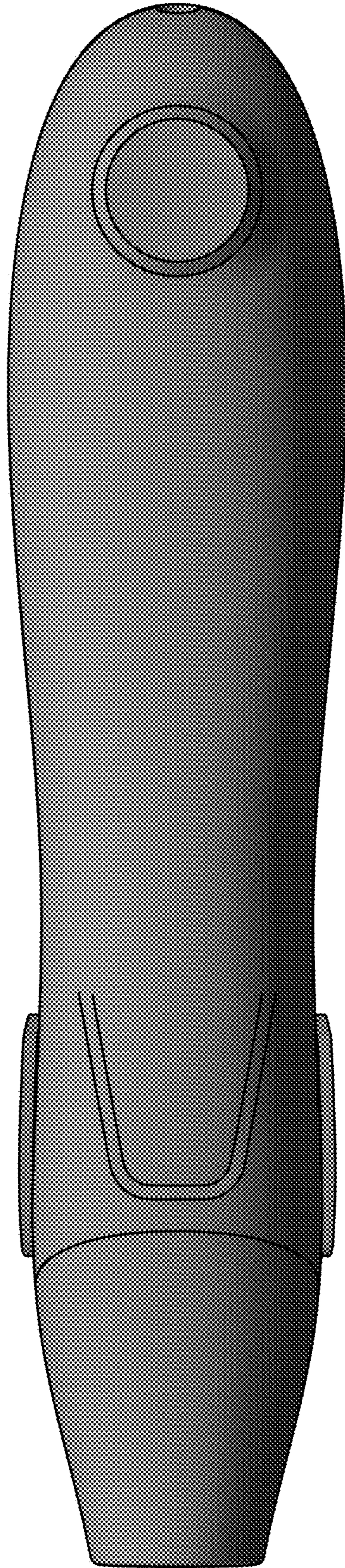


FIG. 1

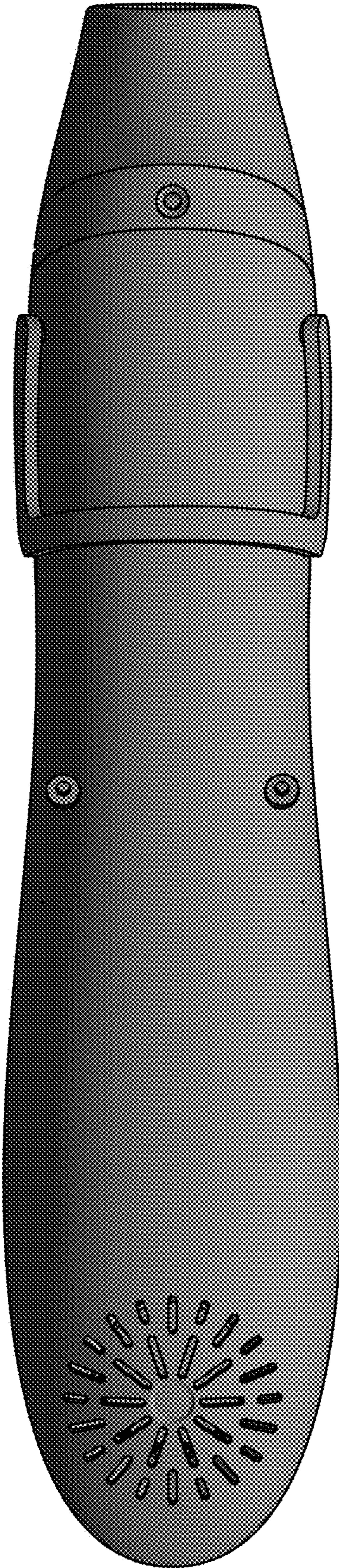


FIG. 2

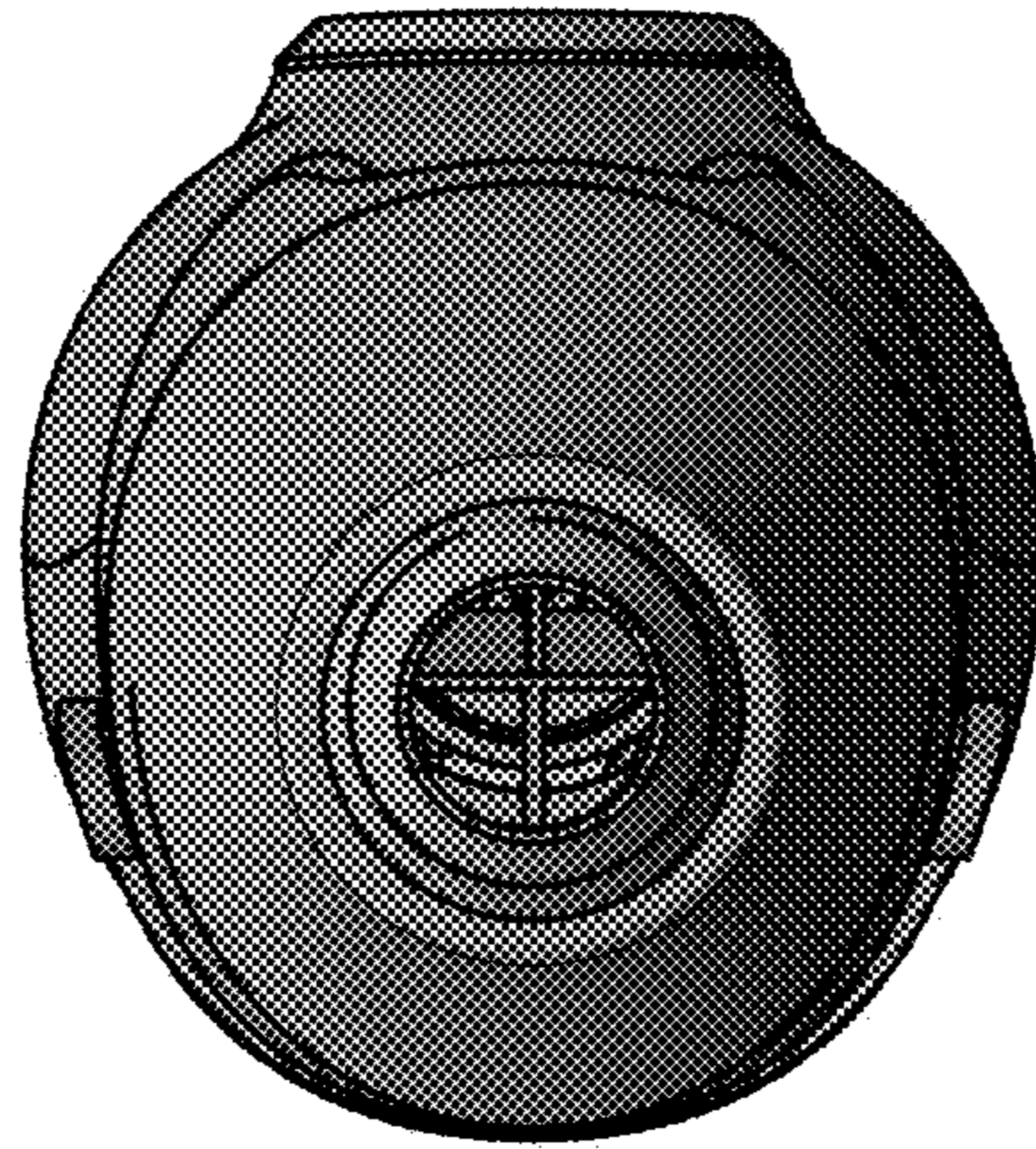


FIG. 3

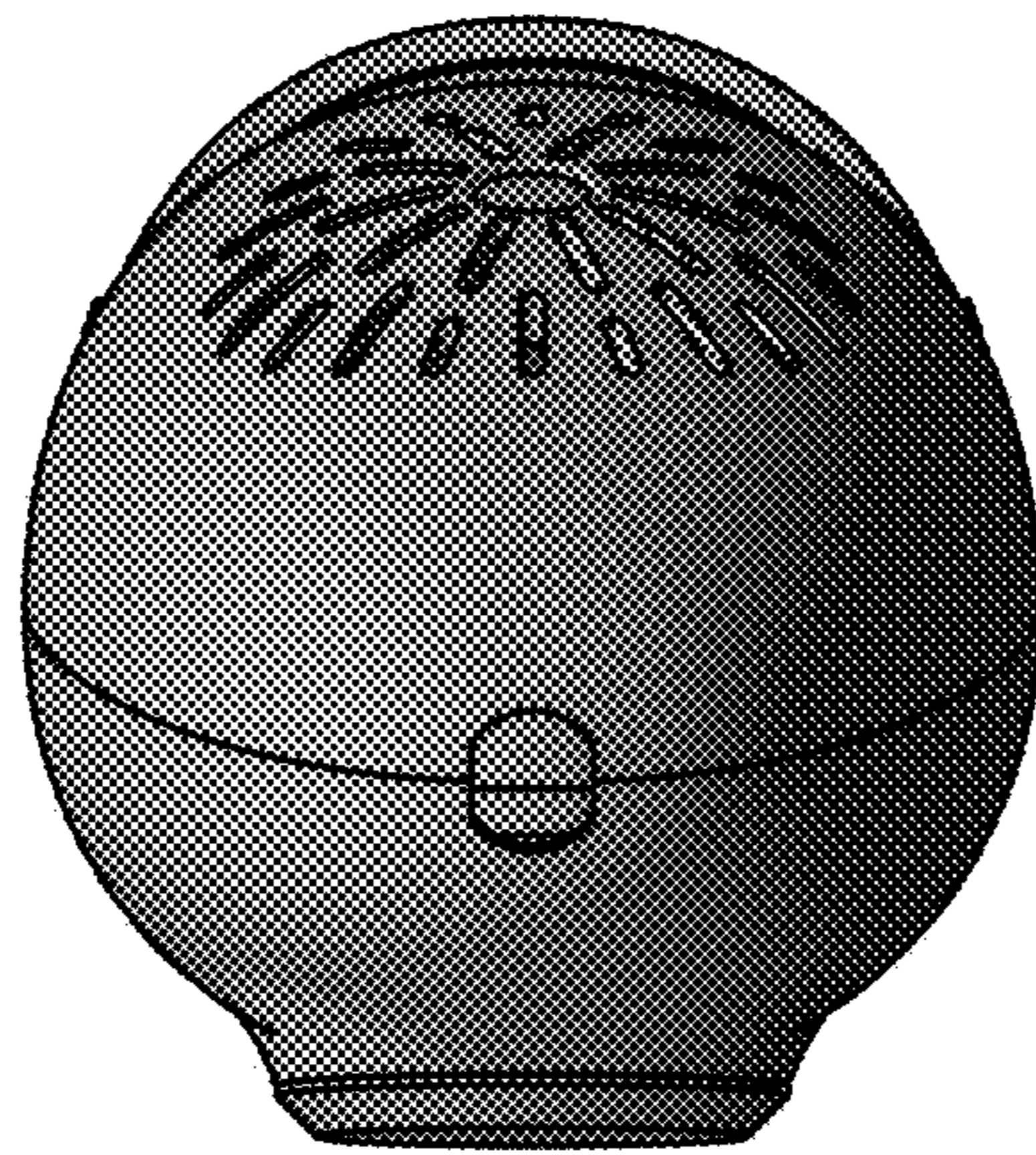


FIG. 4

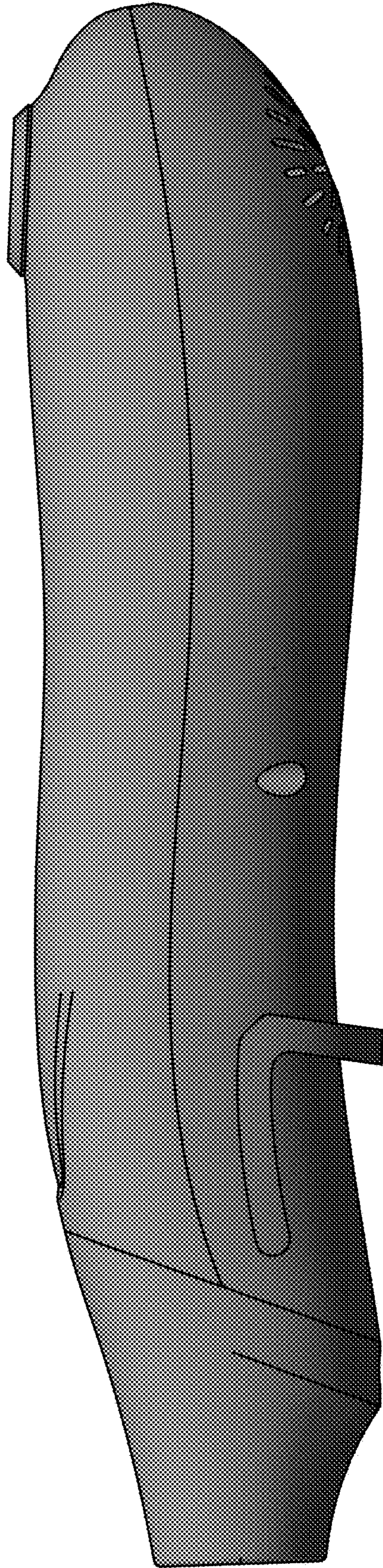


FIG. 5

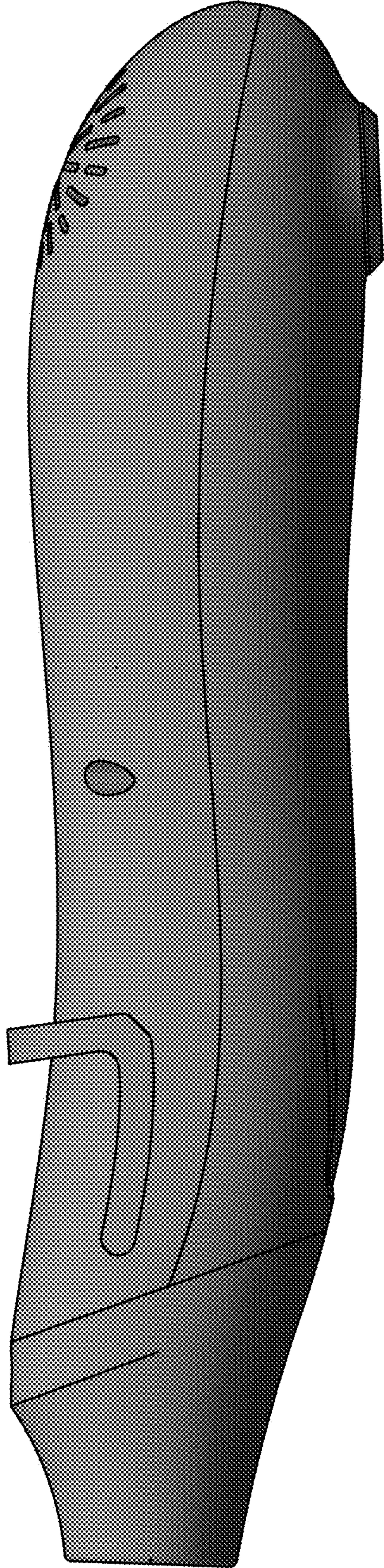


FIG. 6

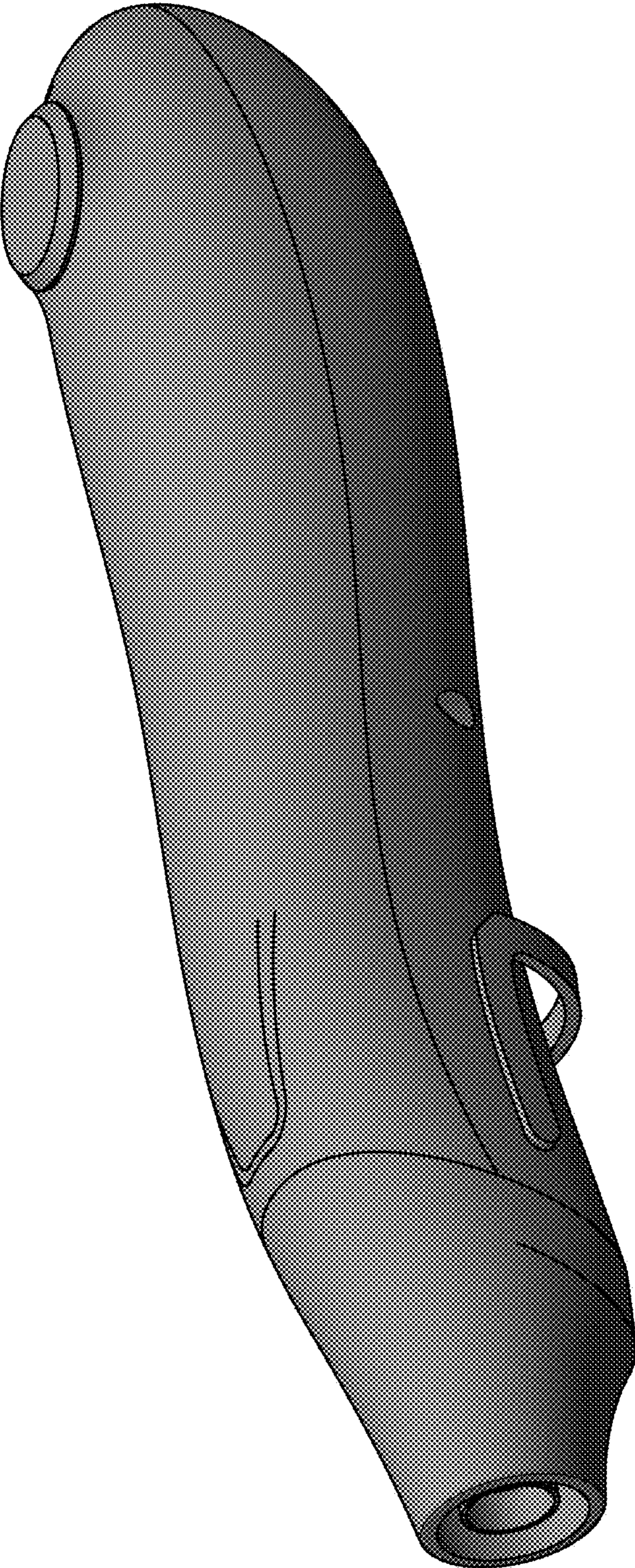


FIG. 7

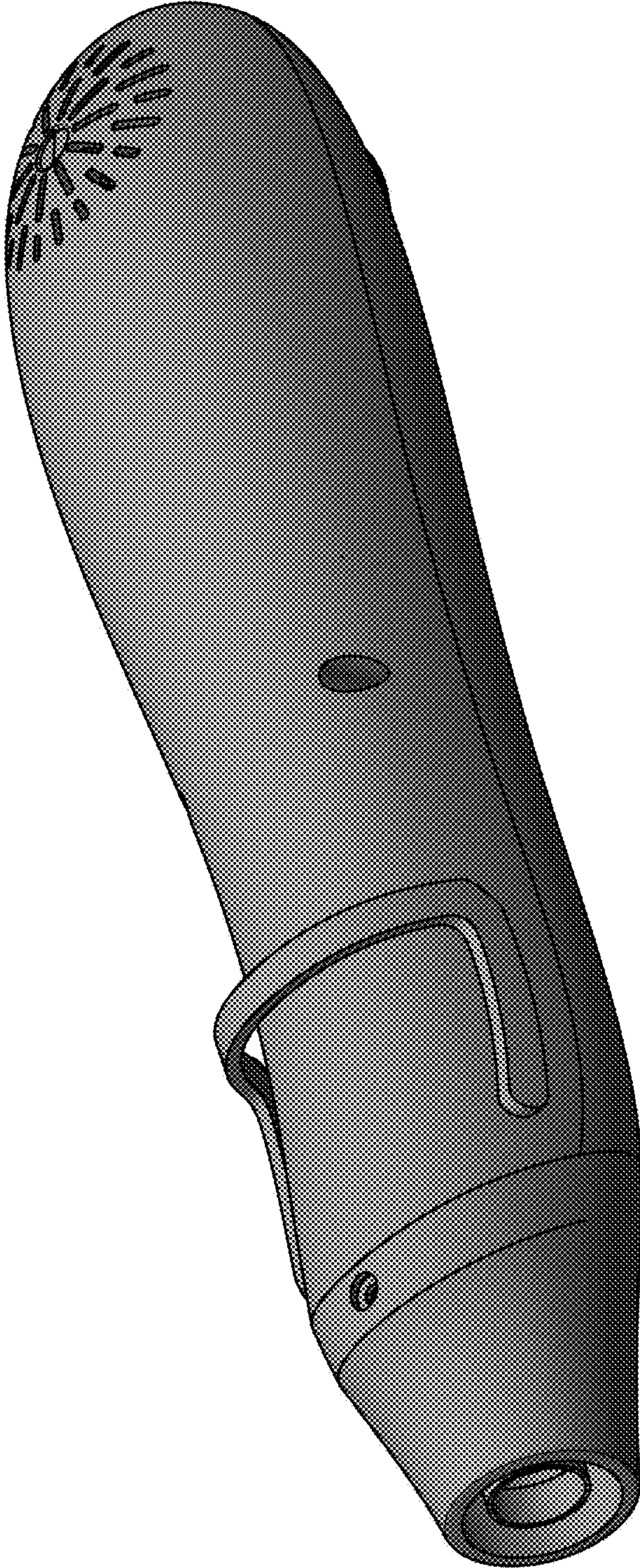


FIG. 8



FIG. 9

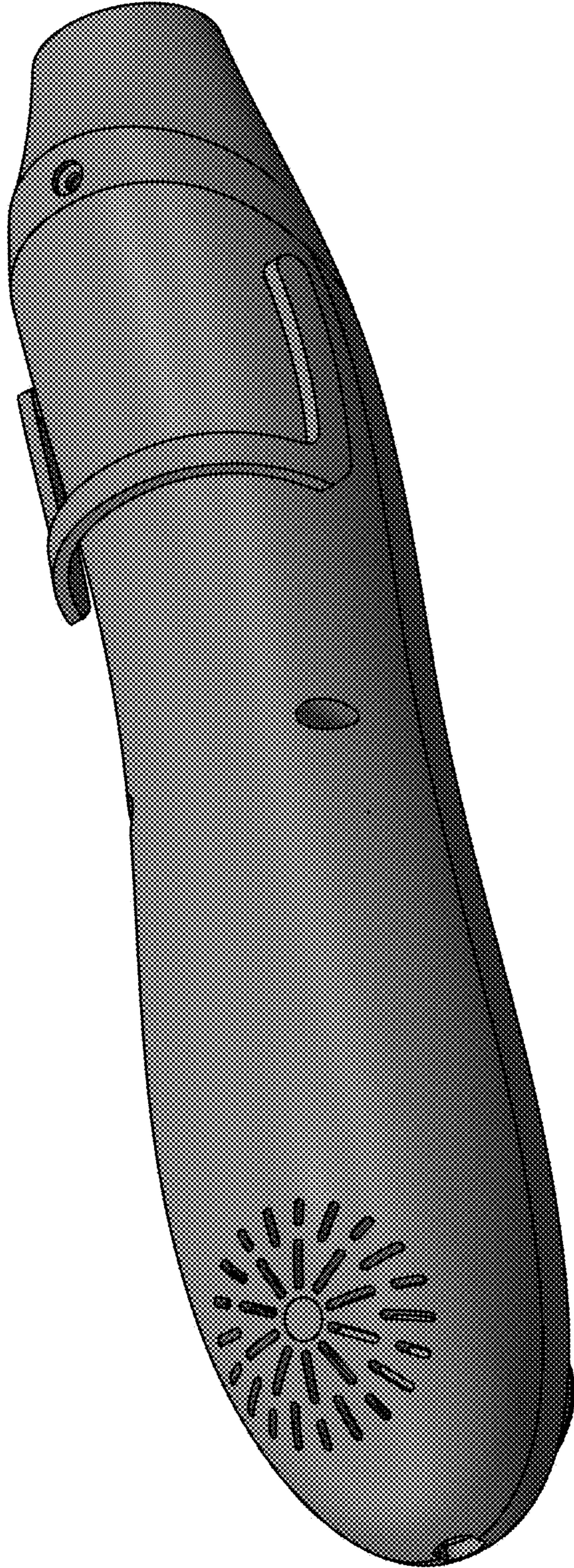


FIG. 10