



US00D958618S

(12) **United States Design Patent**  
**Hung**

(10) **Patent No.:** **US D958,618 S**

(45) **Date of Patent:** **\*\* Jul. 26, 2022**

(54) **CARTRIDGE SLEEVE OF CAULKING GUN**

(71) Applicant: **SIANG SYUAN FU ENTERPRISE CO., LTD.**, Changhua County (TW)

(72) Inventor: **Hung-Chih Hung**, Changhua County (TW)

(73) Assignee: **SIANG SYUAN FU ENTERPRISE CO., LTD.**, Hemei Township, Changhua County (TW)

(\*\*) Term: **15 Years**

(21) Appl. No.: **29/735,199**

(22) Filed: **May 19, 2020**

(51) **LOC (13) Cl.** ..... **08-05**

(52) **U.S. Cl.**  
USPC ..... **D8/14.1**

(58) **Field of Classification Search**  
USPC ..... D8/14, 14.1, 30, 51, 68  
CPC ..... B05C 1/00; B05C 17/00; B05C 17/01;  
B05C 17/0016; B05C 17/0123; B05C  
21/00  
See application file for complete search history.

(56) **References Cited**

**U.S. PATENT DOCUMENTS**

- 6,290,101 B1 \* 9/2001 Chang ..... B05C 17/00553  
222/137
- D567,039 S \* 4/2008 Hughes ..... D8/14.1
- D640,517 S \* 6/2011 Rumrill ..... D8/14.1

- D729,400 S \* 5/2015 Hayman ..... D24/221
- D751,876 S \* 3/2016 Herman ..... D8/14.1
- D793,826 S \* 8/2017 Sichien ..... D8/14.1
- D883,052 S \* 5/2020 Almajid ..... D8/14.1
- 2015/0114986 A1 \* 4/2015 Ngu ..... B05C 17/01  
222/94

2018/0056324 A1 \* 3/2018 Springhorn ..... B05C 17/00586

\* cited by examiner

*Primary Examiner* — Philip S Hyder

(74) *Attorney, Agent, or Firm* — Muncy, Geissler, Olds & Lowe, P.C.

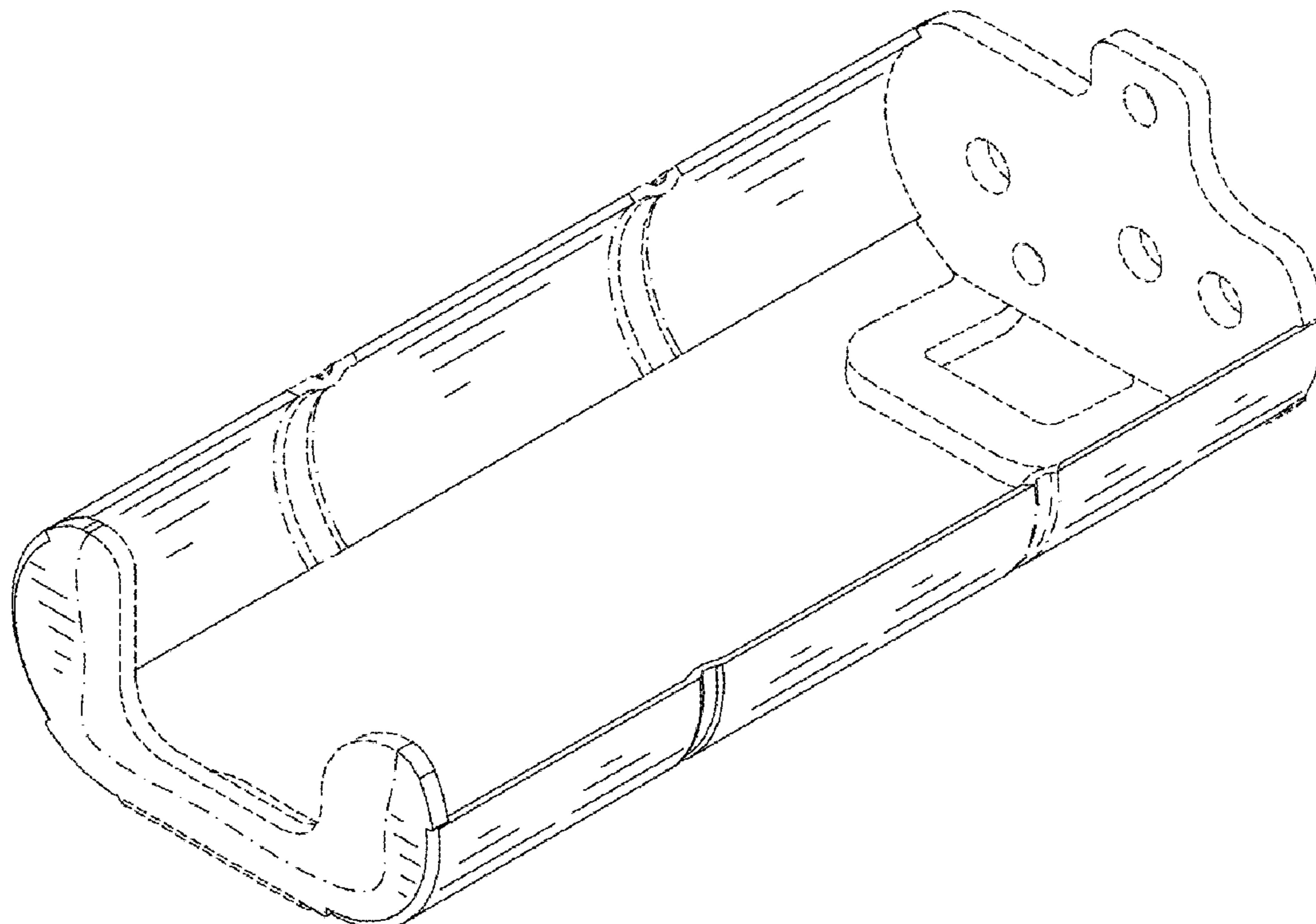
(57) **CLAIM**

I claim the ornamental design for a cartridge sleeve of caulking gun, as shown and described.

**DESCRIPTION**

FIG. 1 is a top, front, right perspective view of a cartridge sleeve of caulking gun showing my new design;  
 FIG. 2 is a front elevational view thereof;  
 FIG. 3 is a rear elevational view thereof;  
 FIG. 4 is a left side view thereof;  
 FIG. 5 is a right side view thereof;  
 FIG. 6 is a top plan view thereof;  
 FIG. 7 is a bottom plan view thereof; and,  
 FIG. 8 is a top, rear, left perspective view.  
 The broken lines in the drawings illustrate portions of the cartridge sleeve of caulking gun which form no part of the claimed design.  
 The dot-dashed line in the figures defines the boundary of claimed design and forms no part of the claimed design.

**1 Claim, 6 Drawing Sheets**



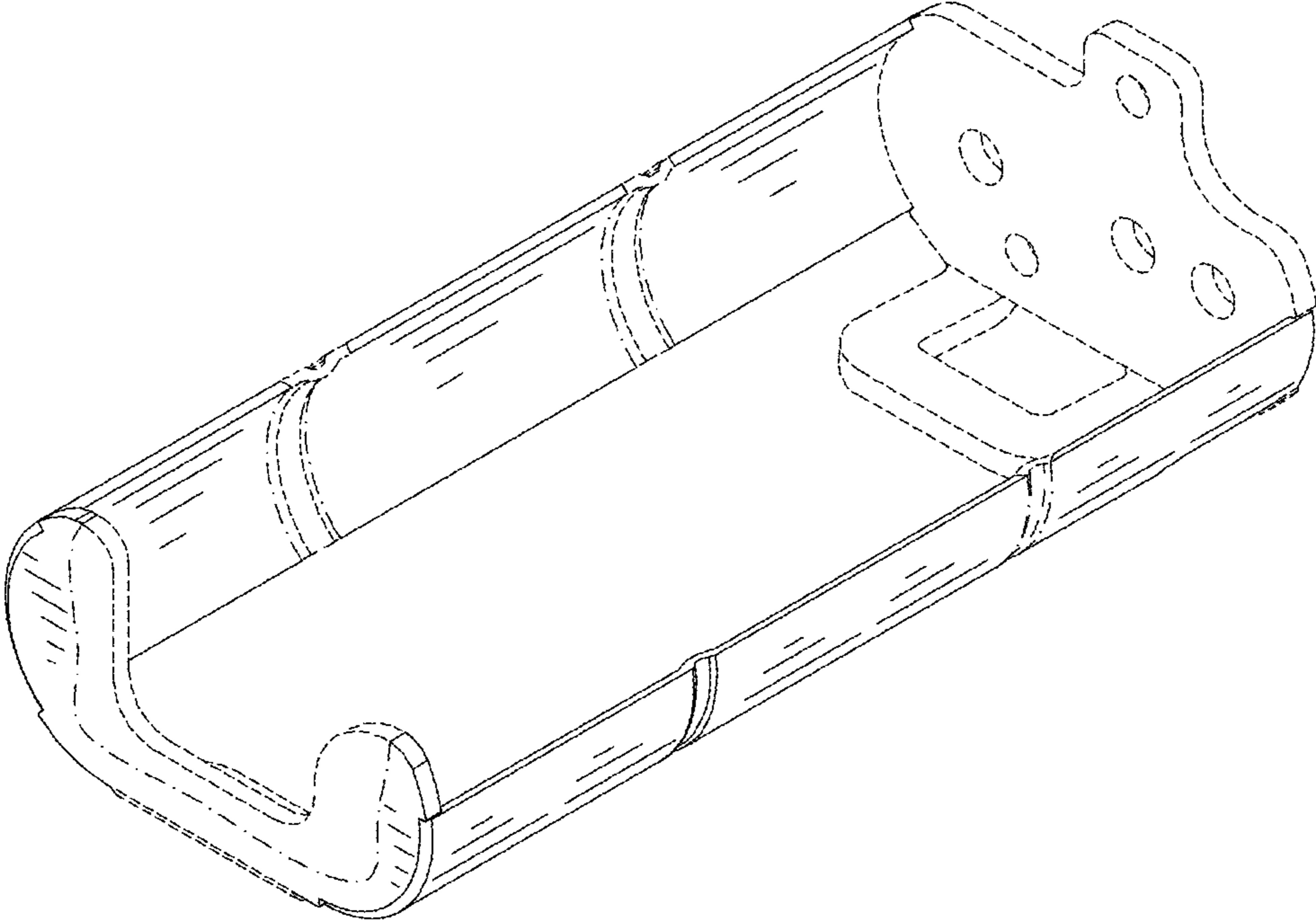


FIG. 1

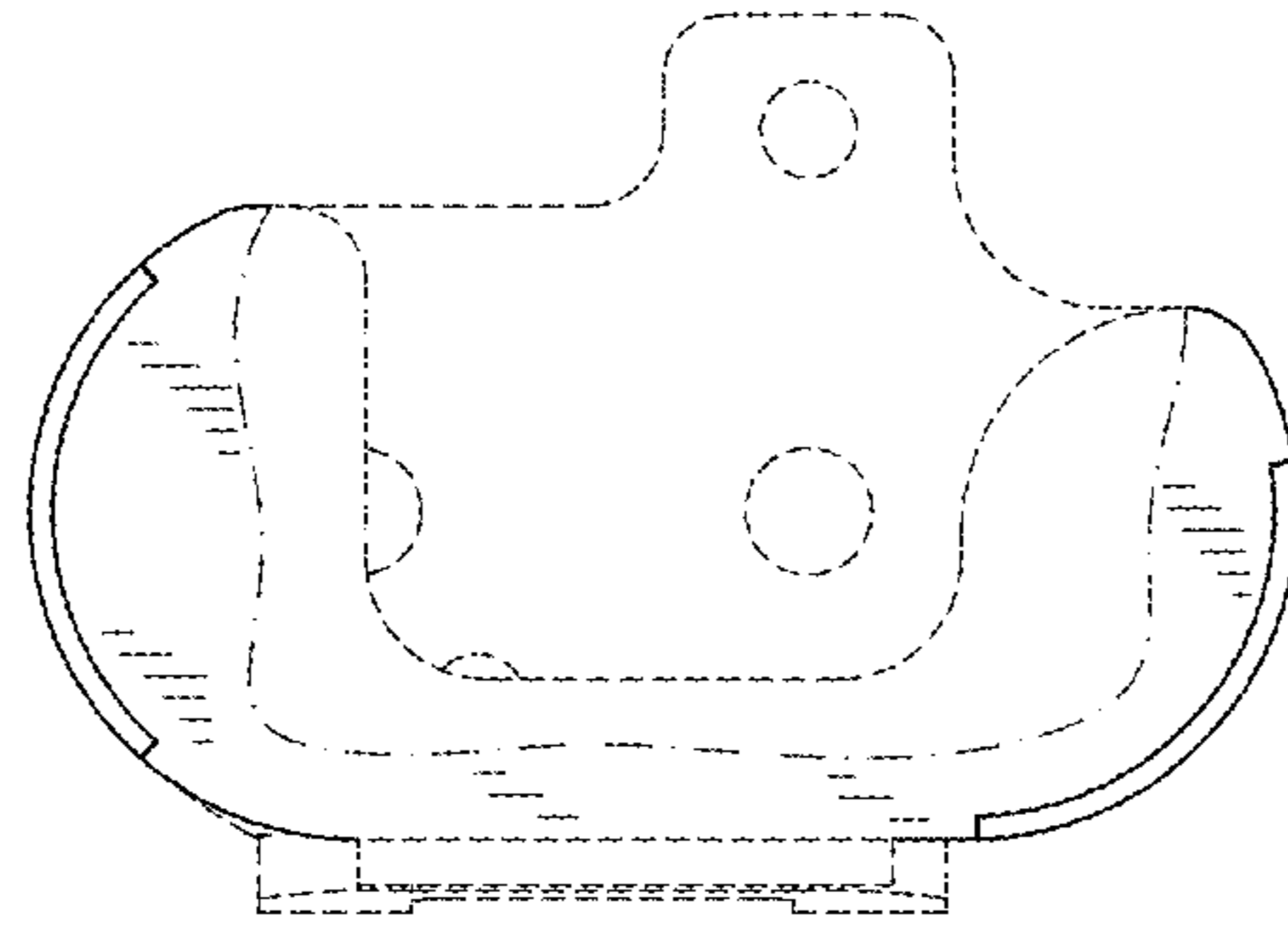


FIG. 2

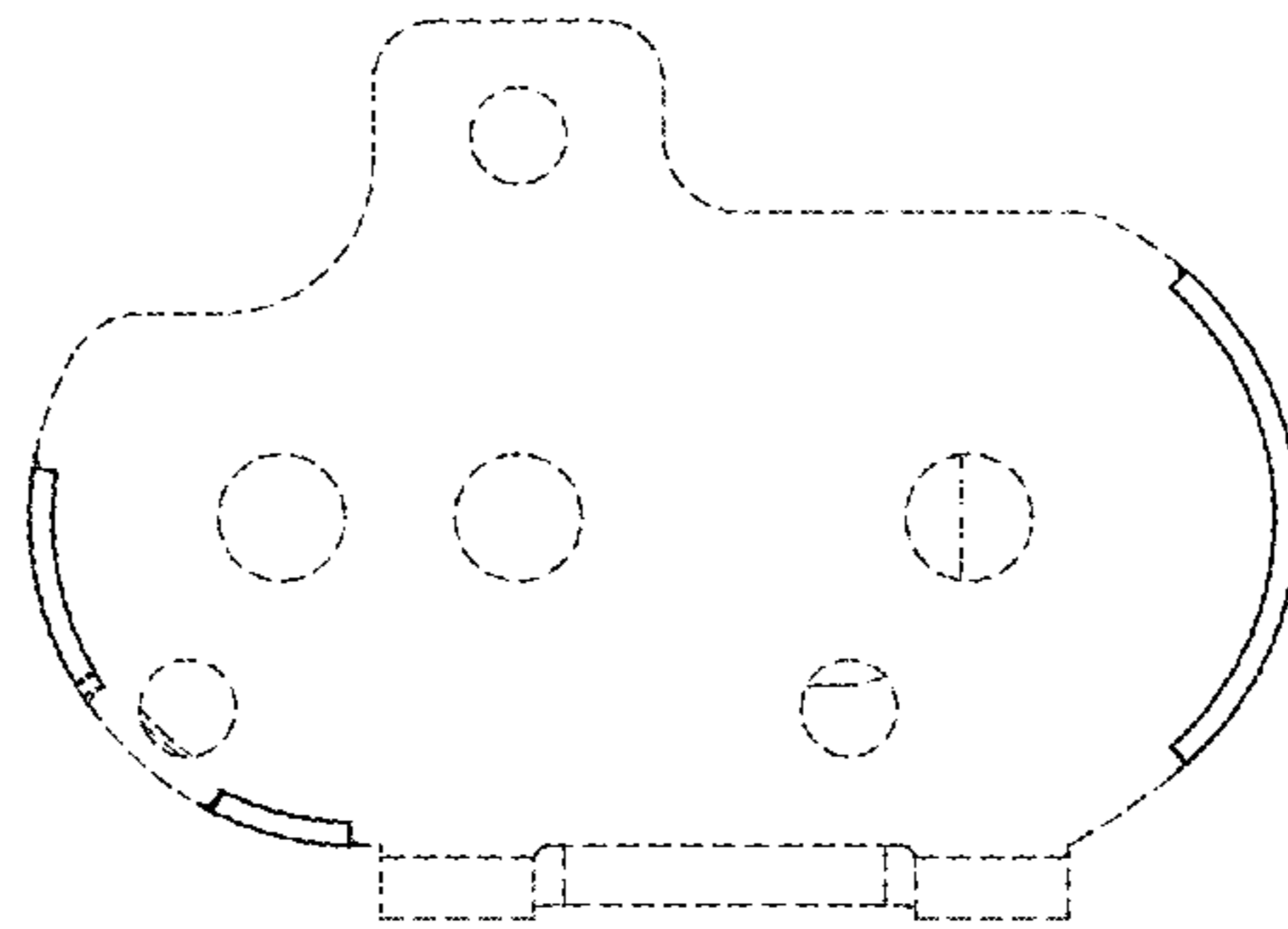


FIG. 3

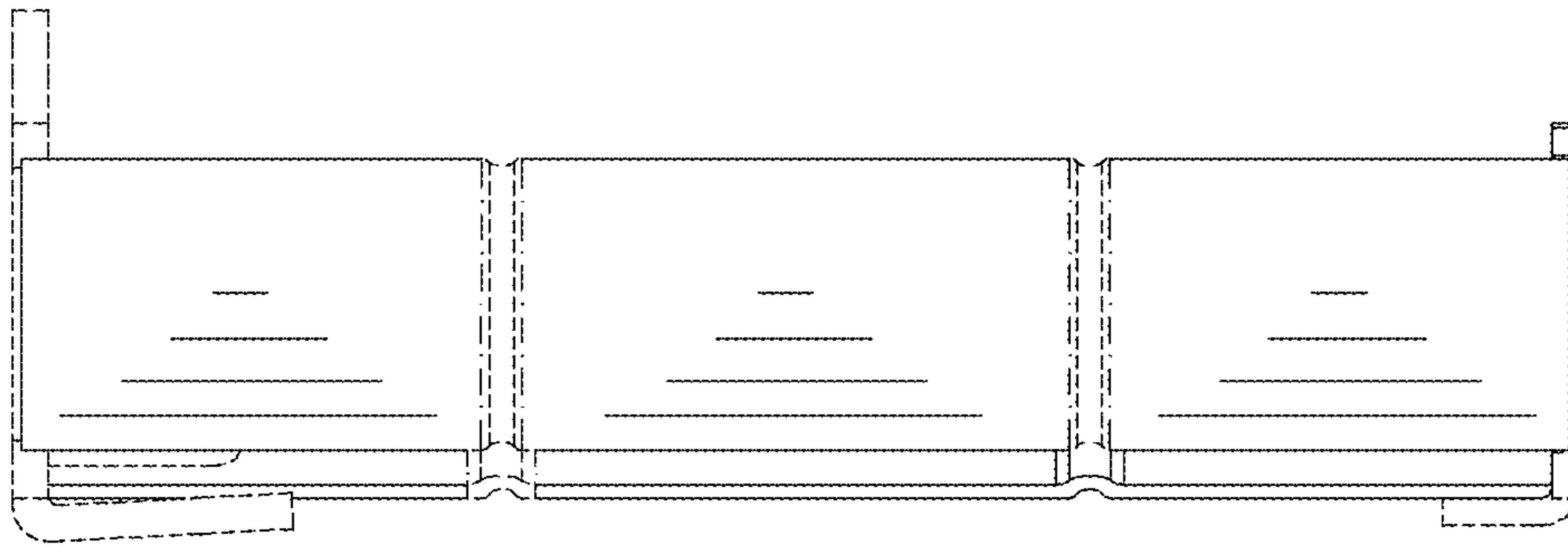


FIG. 4

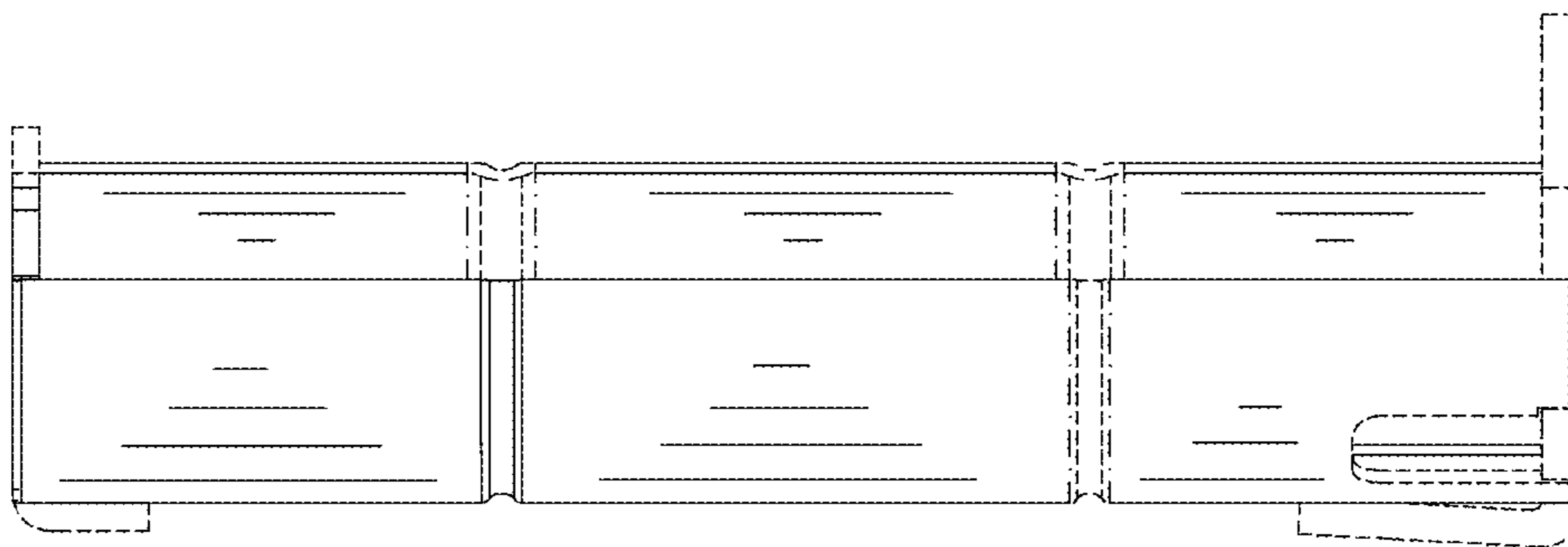


FIG. 5

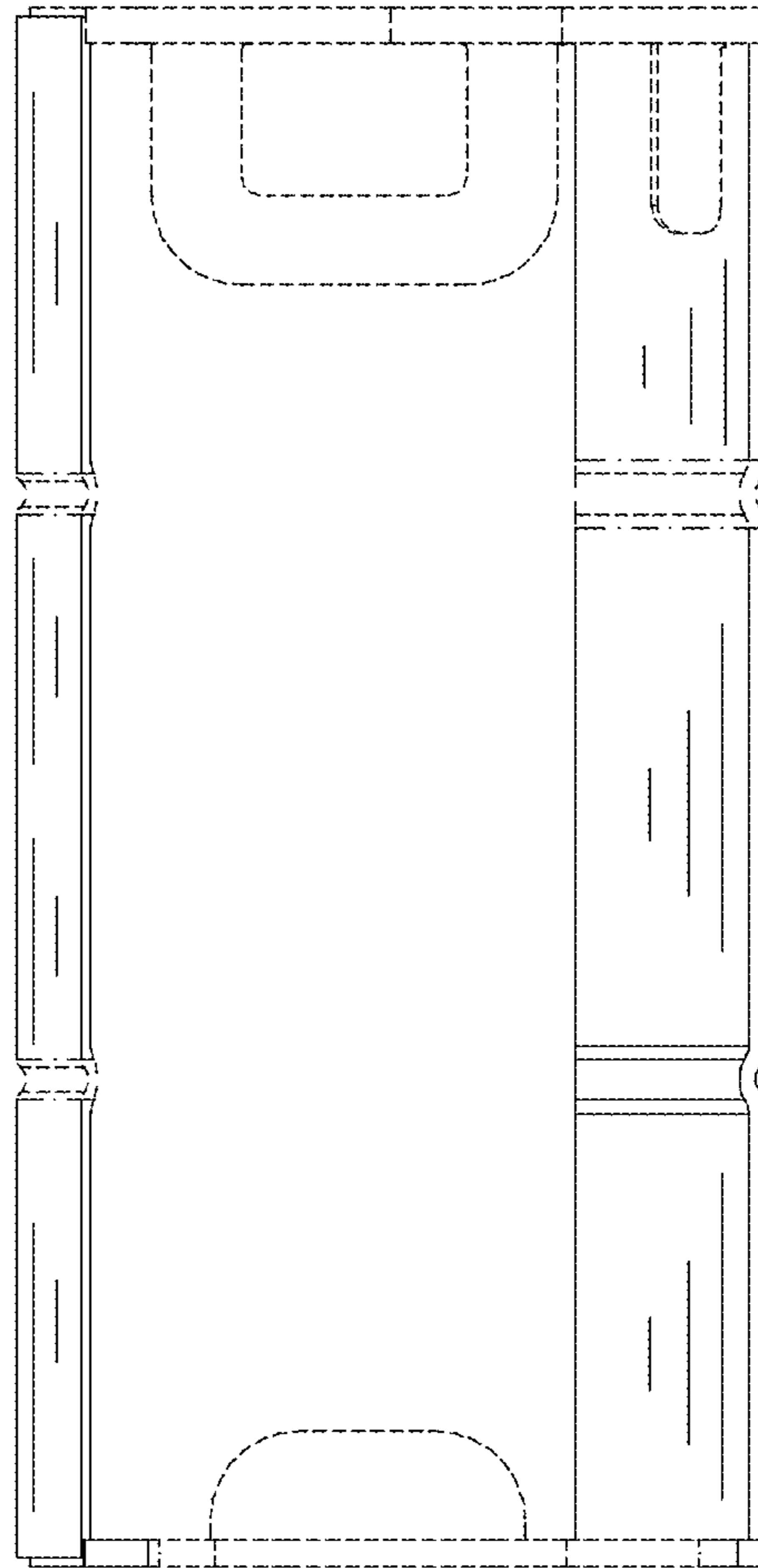


FIG. 6

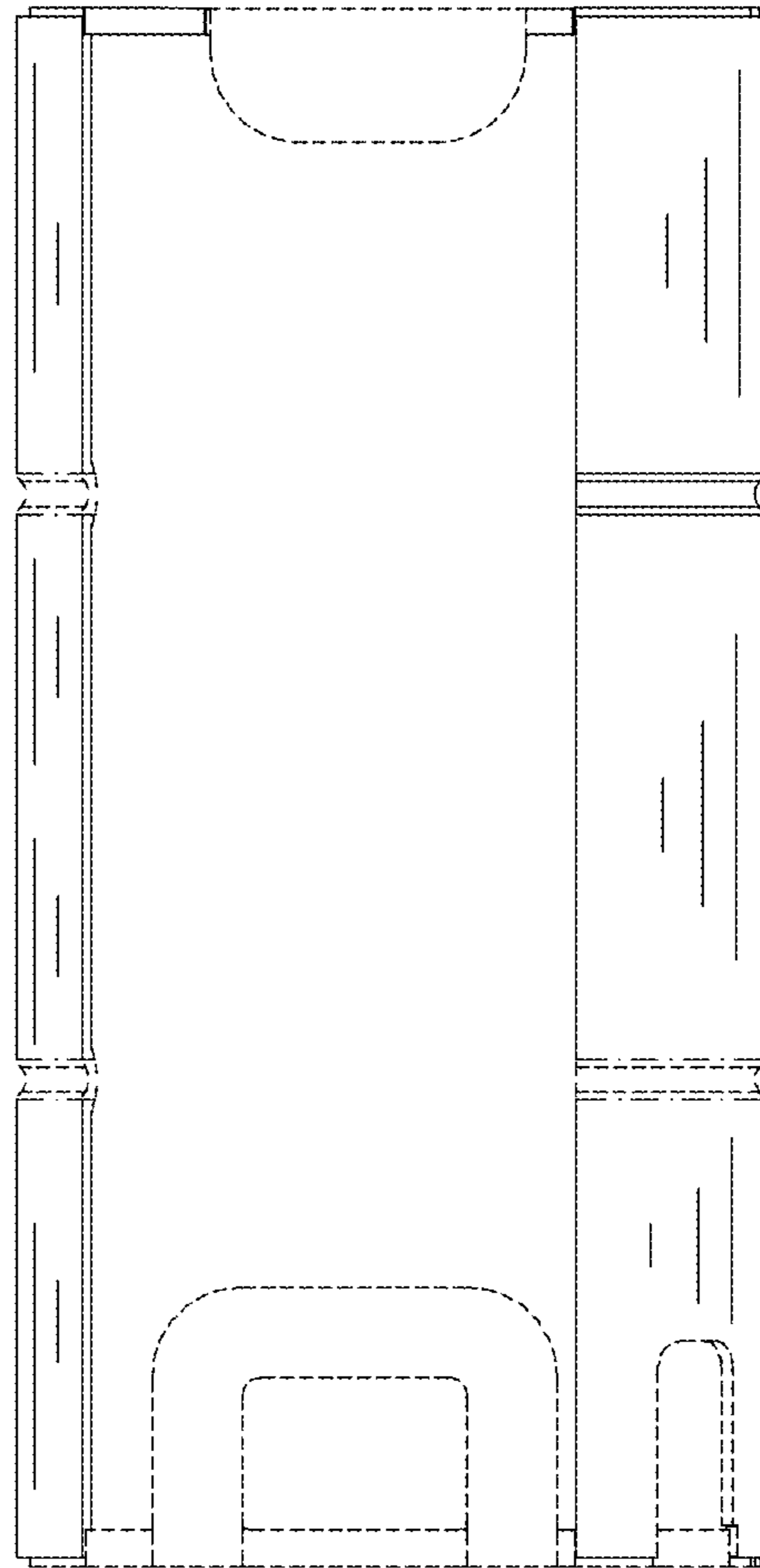


FIG. 7

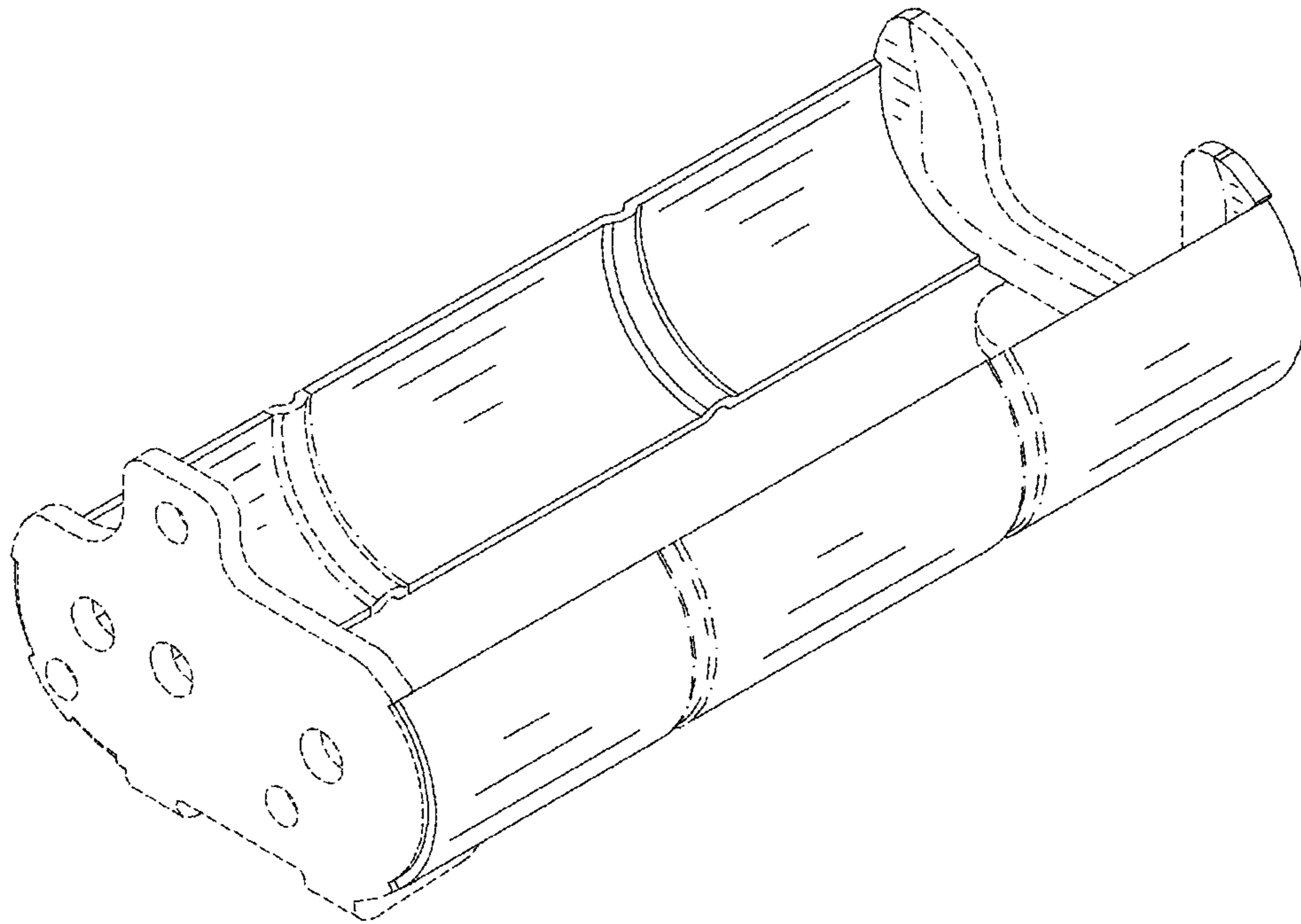


FIG. 8