



US00D958616S

(12) **United States Design Patent** (10) **Patent No.:** **US D958,616 S**
Lyytikäinen et al. (45) **Date of Patent:** **** Jul. 26, 2022**

(54) **GARDENING TOOL** 1,811,604 A * 6/1931 Bancroft A01B 1/14
172/378
(71) Applicant: **Fiskars Finland Oy Ab**, Helsinki (FI) 3,057,146 A * 10/1962 Anderson A01D 7/02
56/400.01
(72) Inventors: **Sami Lyytikäinen**, Helsinki (FI);
Mikko Kemppe, Helsinki (FI) D198,138 S * 5/1964 Langlie D8/13
D251,582 S * 4/1979 Ziegler D8/9
D256,542 S * 8/1980 Nadle D8/13
4,319,642 A 3/1982 Merz
(73) Assignee: **FISKARS FINLAND OY AB**, Helsinki
(FI) D295,712 S * 5/1988 Scott D8/13
D298,725 S 11/1988 Sunila
(Continued)

(**) Term: **15 Years**
(21) Appl. No.: **29/765,139**
(22) Filed: **Jan. 6, 2021**

FOREIGN PATENT DOCUMENTS

CN 3240761 * 6/2002
CN 3594715 * 1/2007

OTHER PUBLICATIONS

Fiskars 315510-1001 Xact Hand Garden Cultivator, "Date first Available" Apr. 28, 2020 (Amazon), Image retrieved on: Mar. 23, 2022 (online), URL: <https://www.amazon.com/Fiskars-315510-1001-Garden-Cultivator-Slivler/dp/B087RNMSYK/ref=sr_1_1?crid=JHG5FWP1U1II&keywords=Fiskars+315510-1001+Xact+Garden+Cultivator&qid=1648062667&sprefix=fiskars+315510-1001+xact+garden+cultivator%2Caps%2C141&sr=8-1#customerReviews>.*

Primary Examiner — Sheryl Lane
Assistant Examiner — Ieisha N Price
(74) *Attorney, Agent, or Firm* — Leason Ellis LLP

Related U.S. Application Data

(62) Division of application No. 29/653,701, filed on Jun. 18, 2018, now Pat. No. Des. 921,471.

Foreign Application Priority Data

Dec. 22, 2017 (EM) 004561637

(51) **LOC (13) Cl.** **08-01**
(52) **U.S. Cl.**
USPC **D8/13**

(58) **Field of Classification Search**
USPC D8/1, 11, 13; D21/532
CPC A01B 1/00; A01B 1/06; A01B 1/10; A01B 1/12; A01B 1/14; A01B 1/16; A01B 1/20; A01B 1/22; A01B 1/227; A01B 1/222; A01B 1/225; A01B 1/026; A01B 1/02; B25G 1/102; Y10T 16/476; Y10T 16/4713; Y10S 16/19

See application file for complete search history.

References Cited

U.S. PATENT DOCUMENTS

403,413 A * 5/1889 Bowman A01B 1/14
172/378
687,363 A * 11/1901 Wirt A61H 7/003
294/55.5

(57) **CLAIM**

The ornamental design for a gardening tool, as shown and described.

DESCRIPTION

FIG. 1 is a top perspective view of a gardening tool according to our new design;
FIG. 2 is a front view thereof;
FIG. 3 is a rear view thereof;
FIG. 4 is a left side view thereof;
FIG. 5 is a right side view thereof;

(Continued)

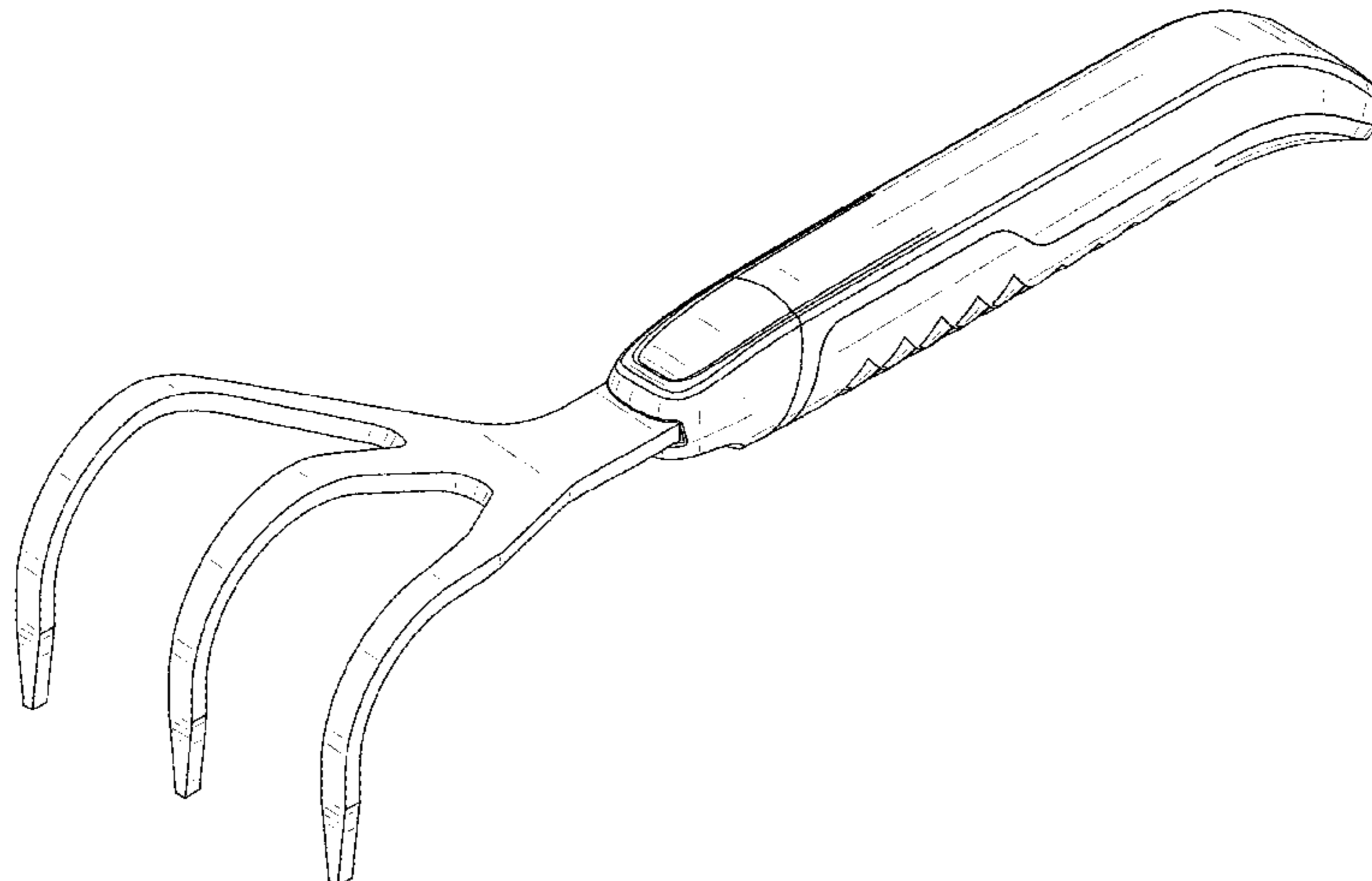


FIG. 6 is a top view thereof; and,
FIG. 7 is a bottom view thereof.

1 Claim, 6 Drawing Sheets

(56)

References Cited

U.S. PATENT DOCUMENTS

D305,496 S	1/1990	Jasperson	
D305,497 S *	1/1990	Jasperson	D8/13
4,969,675 A *	11/1990	Zahrowski	E01H 1/1206 15/236.08
D339,039 S *	9/1993	Concari	D8/13
D342,426 S	12/1993	Concari	
D354,661 S	1/1995	Linden	
D360,343 S	7/1995	Concari	
D375,236 S *	11/1996	Spear	D8/13
D376,301 S	12/1996	Yates	
D388,670 S *	1/1998	Yeh	D8/13
5,813,206 A *	9/1998	McKittrick	A01B 1/06 294/58
D456,676 S	5/2002	Sunila	
D476,537 S *	7/2003	Lin	D8/13
D501,765 S	2/2005	Tatic	
D522,324 S *	6/2006	Demar	D8/13
D541,119 S	4/2007	Jost	
D563,742 S	3/2008	Baker	
D600,984 S	9/2009	Wong	
D604,126 S	11/2009	Boies	

D611,316 S	3/2010	Boies	
D625,571 S	10/2010	Frenkel	
D640,103 S	6/2011	Paolini	
D640,104 S	6/2011	Paolini	
D642,440 S	8/2011	Boda	
D653,091 S	1/2012	Hua	
D670,150 S	11/2012	Angel	
D675,075 S	1/2013	Paloheimo	
D676,725 S	2/2013	Meiller	
D678,013 S	3/2013	Hua	
D678,014 S	3/2013	Hua	
D678,015 S *	3/2013	Paloheimo	D8/13
D678,738 S	3/2013	Hua	
D684,441 S	6/2013	Baker	
D703,512 S *	4/2014	Degnan	D8/107
D704,025 S	5/2014	Tronconi	
D710,665 S	8/2014	Boies	
D711,204 S	8/2014	Masalin	
D719,420 S	12/2014	Masalin	
D725,447 S	3/2015	Gonzalez	
D766,054 S *	9/2016	Salojärvi	D8/13
D807,717 S	1/2018	Tia	
D810,529 S *	2/2018	Baker	D8/11
D813,622 S	3/2018	Baker	
D825,312 S	8/2018	Buckley	
D850,872 S	6/2019	Roberts	
D859,102 S	9/2019	Roberts	
D873,634 S	1/2020	Landreville	
D921,471 S *	6/2021	Lyytikäinen	D8/107
2015/0230400 A1	8/2015	Tia	
2019/0045696 A1	2/2019	Schoeppner	

* cited by examiner

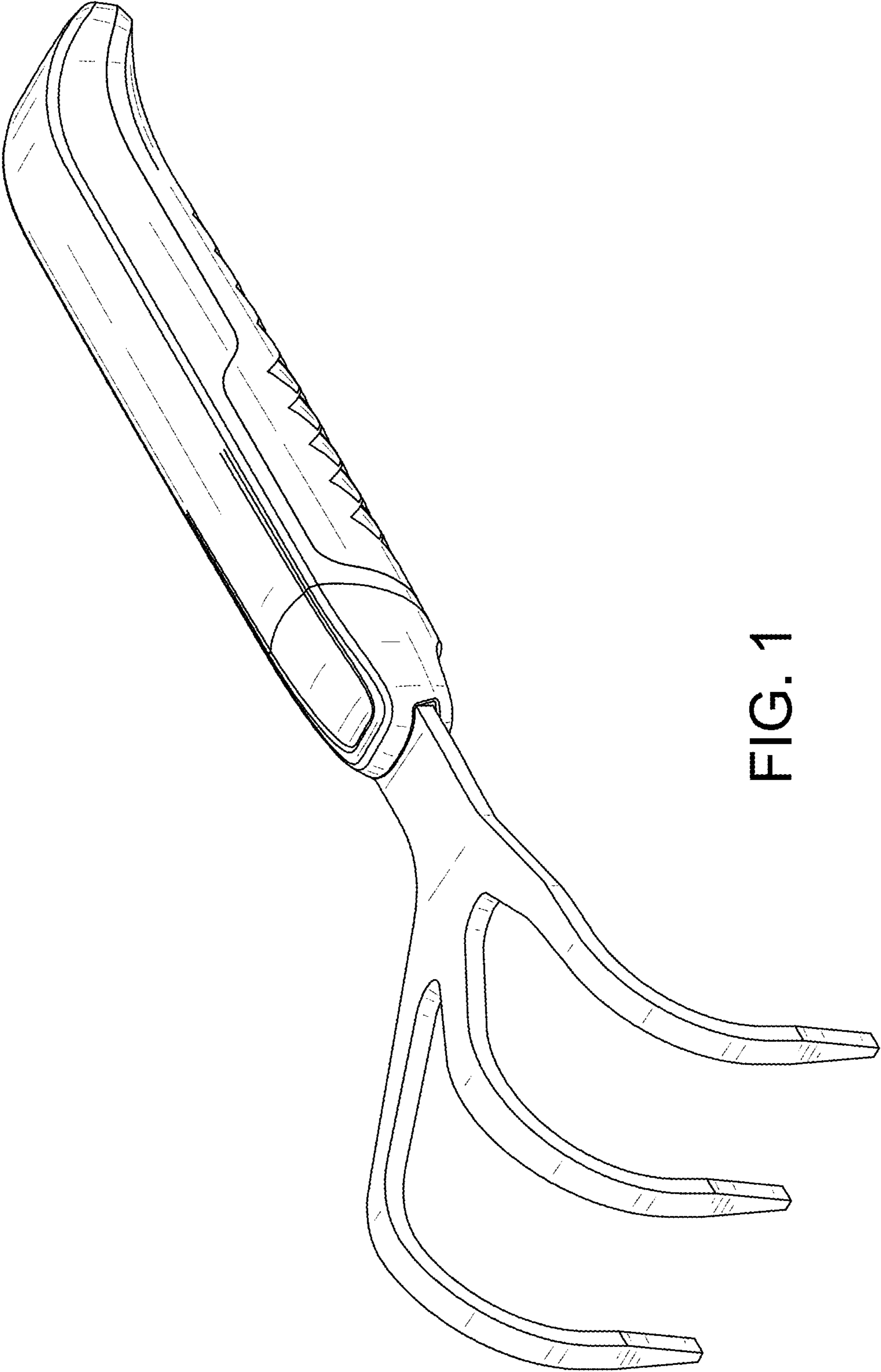


FIG. 1

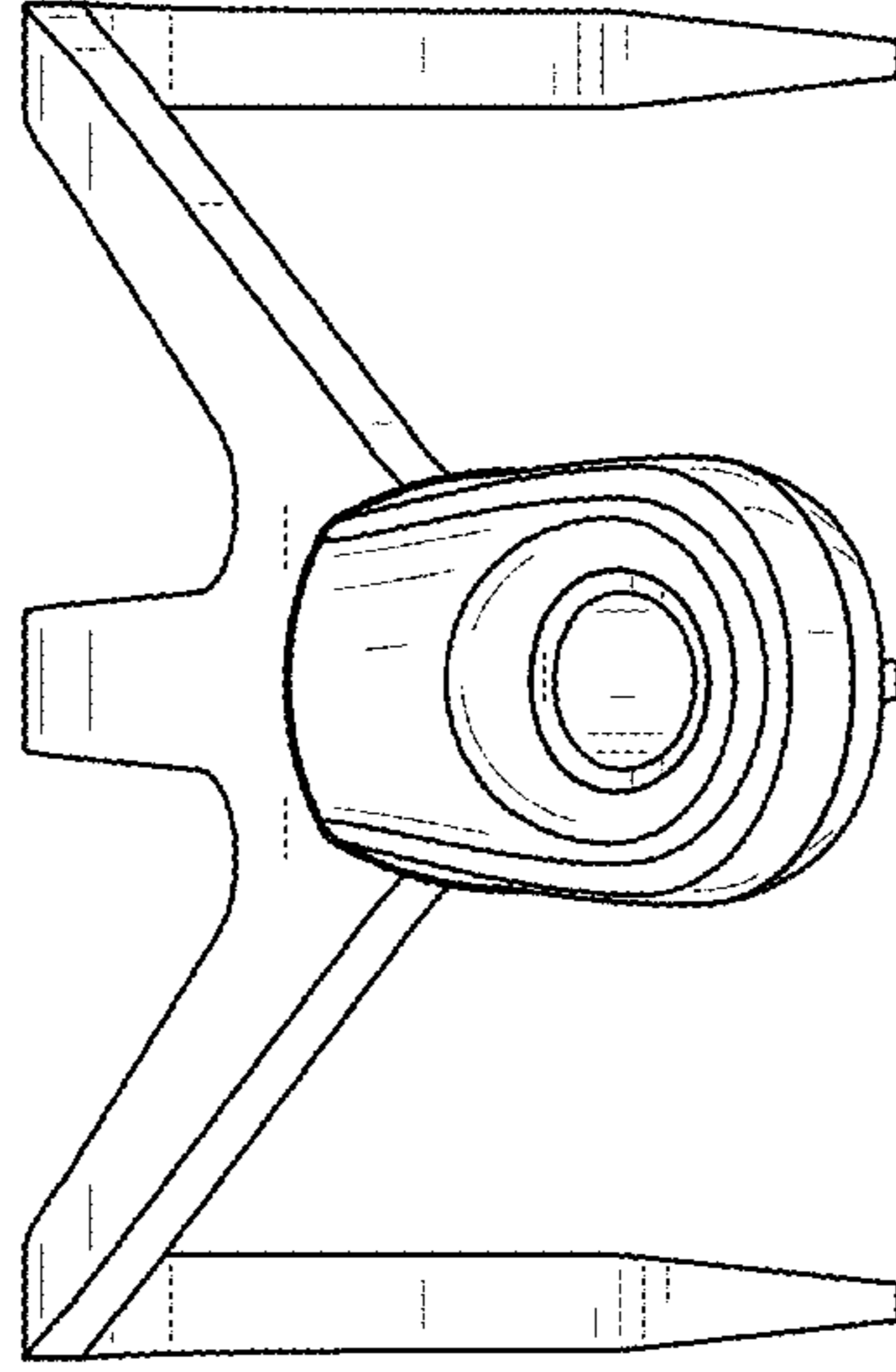


FIG. 2

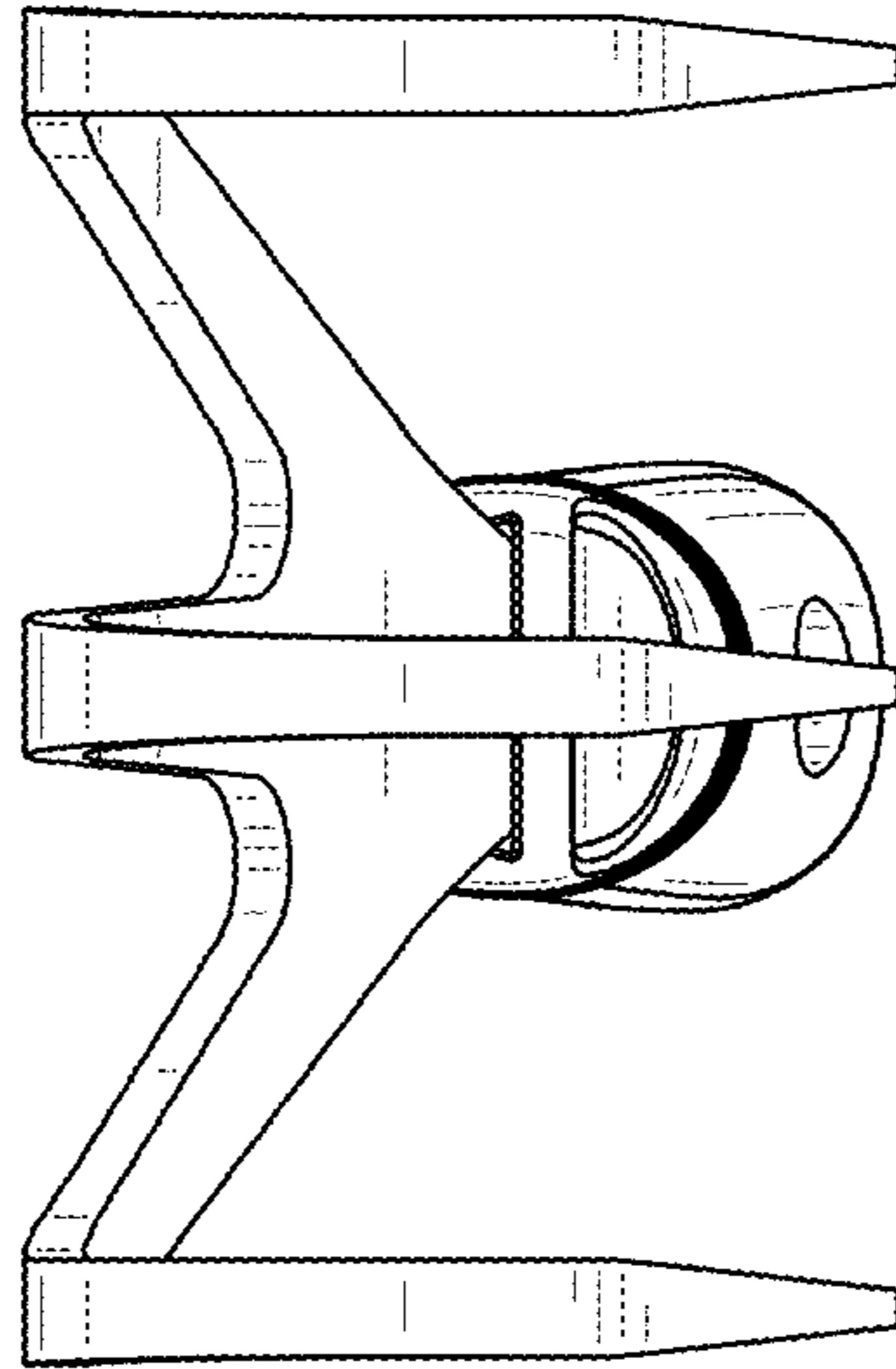


FIG. 3

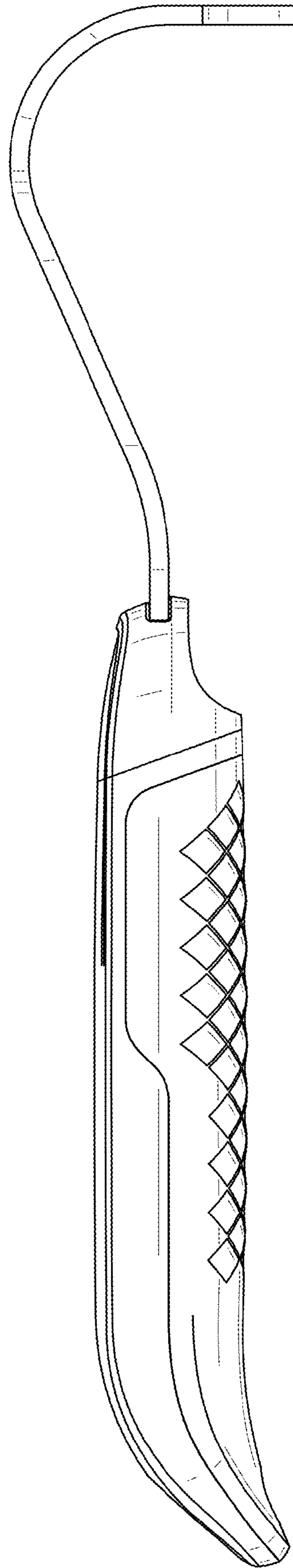


FIG. 4

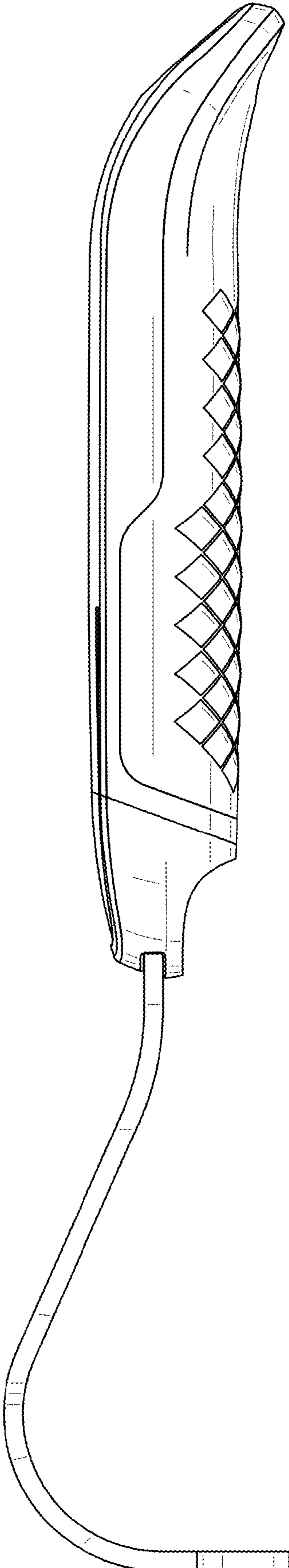


FIG. 5

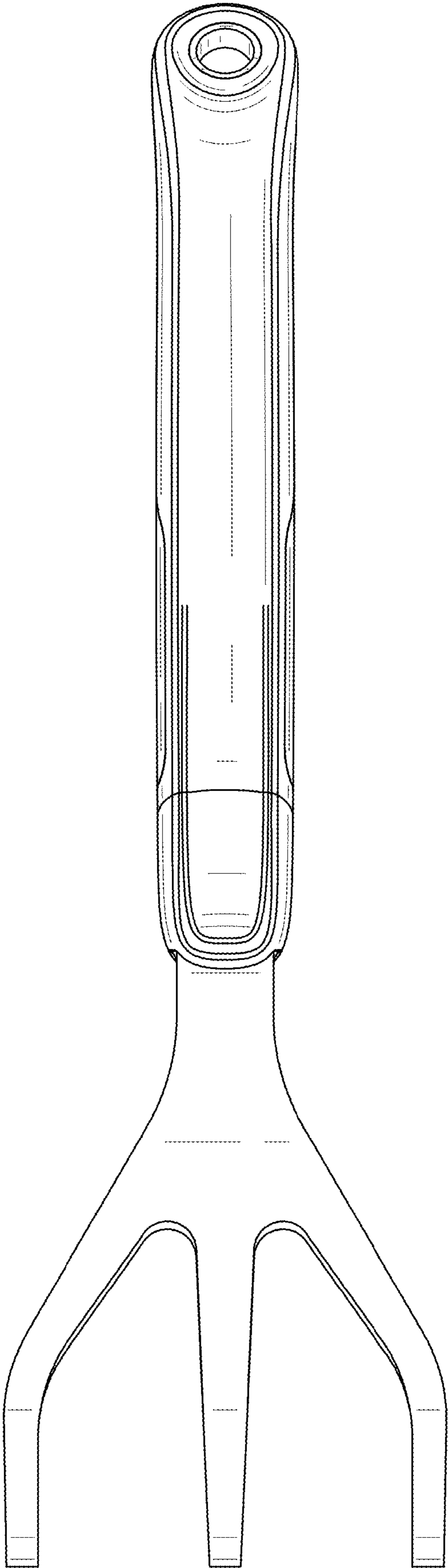


FIG. 6

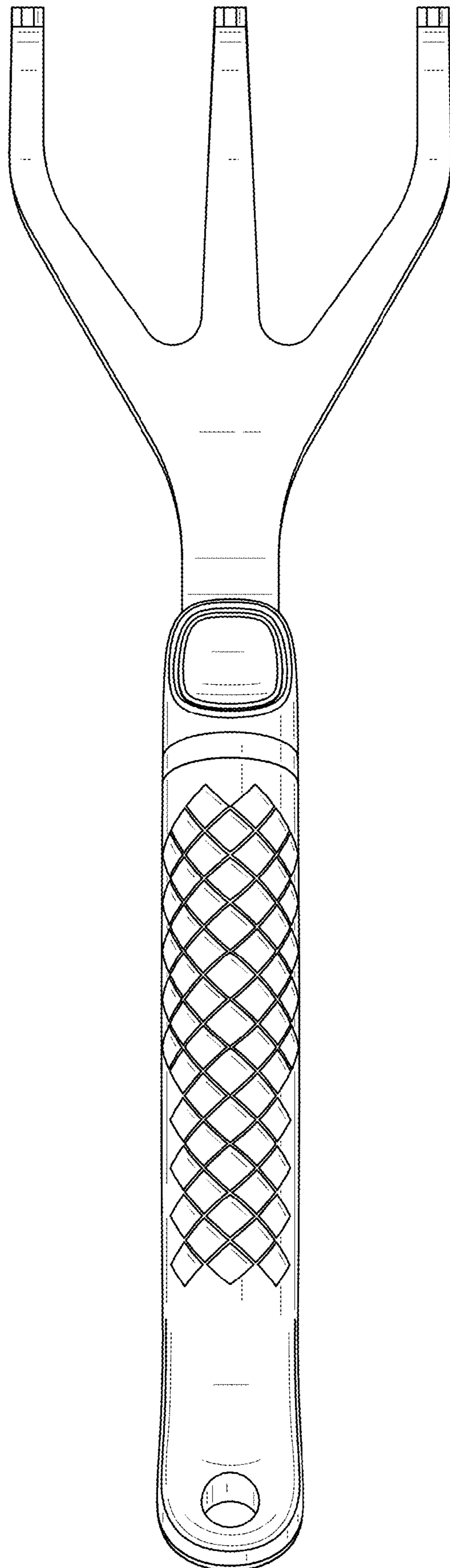


FIG. 7