



(12) **United States Design Patent** (10) **Patent No.:** **US D958,615 S**
Junkin et al. (45) **Date of Patent:** **** Jul. 26, 2022**

(54) **GARDEN TOOL**

FOREIGN PATENT DOCUMENTS

(71) Applicant: **BOTANIWORLD, LLC**, Weston, MA (US)

CA 2743059 A1 * 11/2012 A01B 1/20
 DE 202010016685 U1 * 4/2011 B25G 1/00

(72) Inventors: **Angus H. Junkin**, Weston, MA (US);
Michael Flaherty, Santa Clarita, CA (US)

OTHER PUBLICATIONS

REI Co-op "Ice Axes and Tools" retrieved from Internet Apr. 15, 2020 <https://www.rei.com/c/ice-axes-and-tools>.

(73) Assignee: **BOTANIWORLD, LLC**, Framingham, MA (US)

Primary Examiner — Sheryl Lane

Assistant Examiner — Ieisha N Price

(**) Term: **15 Years**

(74) *Attorney, Agent, or Firm* — Loza & Loza, LLP; Michael I. Angert

(21) Appl. No.: **29/731,510**

(22) Filed: **Apr. 15, 2020**

(51) **LOC (13) Cl.** **08-01**

(57) **CLAIM**

(52) **U.S. Cl.**
 USPC **D8/11**

The ornamental design for a garden tool, as shown and described.

(58) **Field of Classification Search**
 USPC D8/10, 11, 13, 76
 CPC A01B 1/20; A01B 1/225; A01B 1/227;
 A01D 7/08; A01D 1/14; B25G 1/00;
 B25G 1/10; B25G 1/102; B25G 3/38;
 B26B 23/00

DESCRIPTION

See application file for complete search history.

FIG. 1 is a front top perspective view of a garden tool in the present invention.
 FIG. 2 is a rear bottom perspective view thereof.
 FIG. 3 is a front view thereof.
 FIG. 4 is a rear view thereof.
 FIG. 5 is a top view thereof
 FIG. 6 is a bottom view thereof.
 FIG. 7 is a right side view thereof.
 FIG. 8 is a left side view thereof.
 FIG. 9 is a cross sectional view of the garden tool taken along lines 9-9 in FIG. 8; and,
 FIG. 10 is an enlarged cross sectional view of the handle of the garden tool taken from indication circle 10 of FIG. 9.
 The broken lines in the drawings illustrate portions of the garden tool and form no part of the claimed design.
 The dot-dash-dot broken lines showing in FIGS. 9 and 10 illustrate indication circles and form no part of the design.

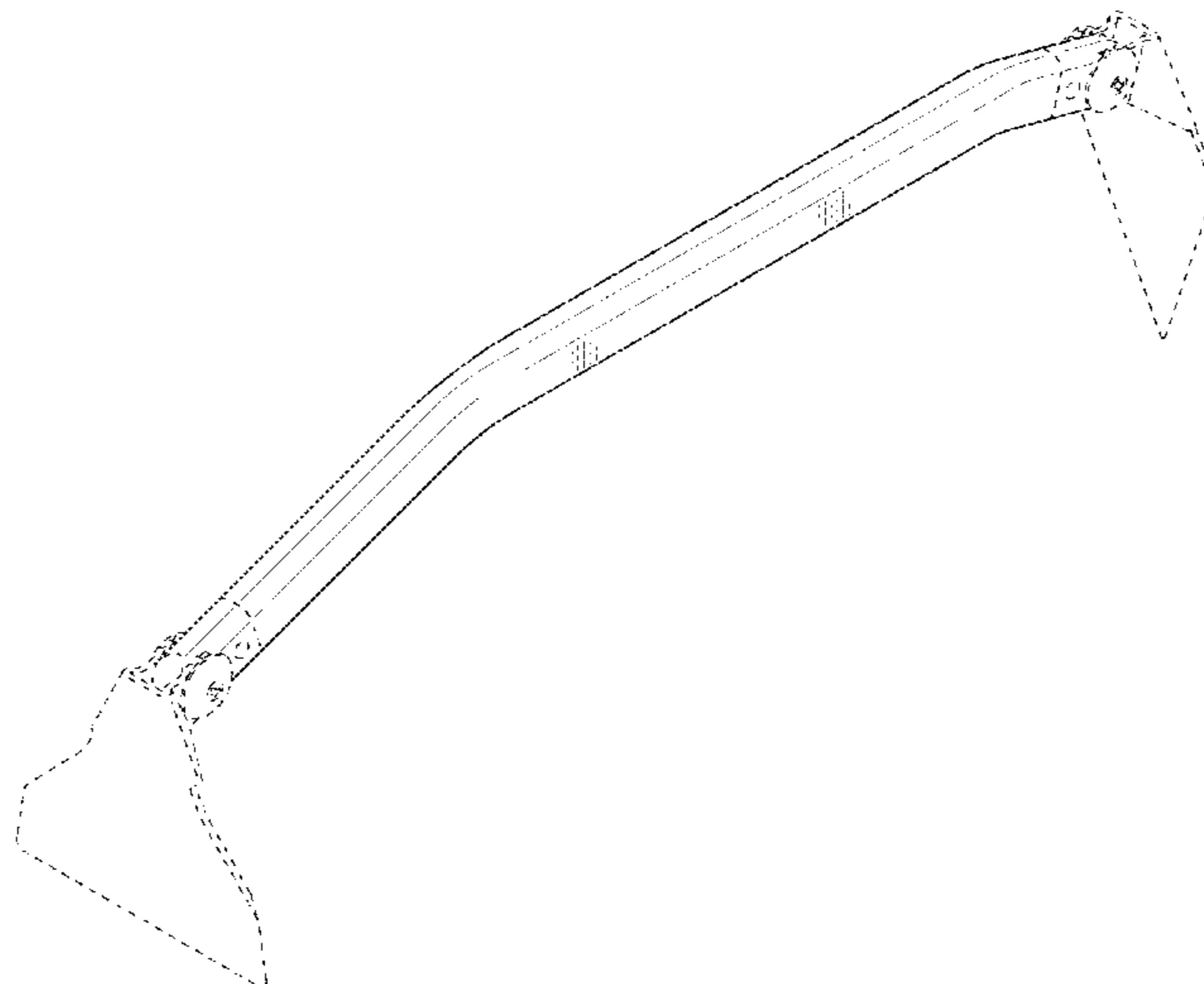
(56) **References Cited**

U.S. PATENT DOCUMENTS

D34,323 S *	4/1901	Williams	D8/10
D203,125 S *	12/1965	Gouveia	D8/7
D203,575 S *	1/1966	Dobbs	D8/76
D208,988 S *	10/1967	Anderson	D8/11
4,011,612 A *	3/1977	Atkinson	A01B 1/20 7/116
D246,027 S *	10/1977	Bartz	D8/11
D295,942 S *	5/1988	Featherman	D8/10
D301,674 S *	6/1989	Smith	294/211
4,979,623 A *	12/1990	Flanagan	A01B 1/20 209/419
5,060,343 A *	10/1991	Nisenbaum	B25G 1/00 16/421

(Continued)

1 Claim, 6 Drawing Sheets



(56)

References Cited

U.S. PATENT DOCUMENTS

5,165,144 A * 11/1992 Nisenbaum B25G 1/00
 15/145
 D331,650 S * 12/1992 Newman, Sr. D32/35
 5,996,235 A * 12/1999 Brainerd B26B 23/00
 30/308.1
 D465,705 S * 11/2002 Hinden D8/13
 D486,363 S * 2/2004 Atnip D8/13
 D507,408 S * 7/2005 Figura D32/35
 D509,414 S * 9/2005 Hinden D8/13
 D547,157 S * 7/2007 Strickland D8/107
 D578,846 S * 10/2008 Coats D8/10
 D677,134 S * 3/2013 Stark D8/10
 D744,802 S * 12/2015 Petzl D8/76
 D837,004 S * 1/2019 Nazara D8/10
 D923,270 S * 6/2021 Rajasekaran D32/35
 2007/0209488 A1 * 9/2007 Nogueras B25G 1/102
 81/489
 2019/0261548 A1 * 8/2019 Flaatten A01B 1/02
 2021/0251124 A1 * 8/2021 Krakus A01B 1/10

* cited by examiner

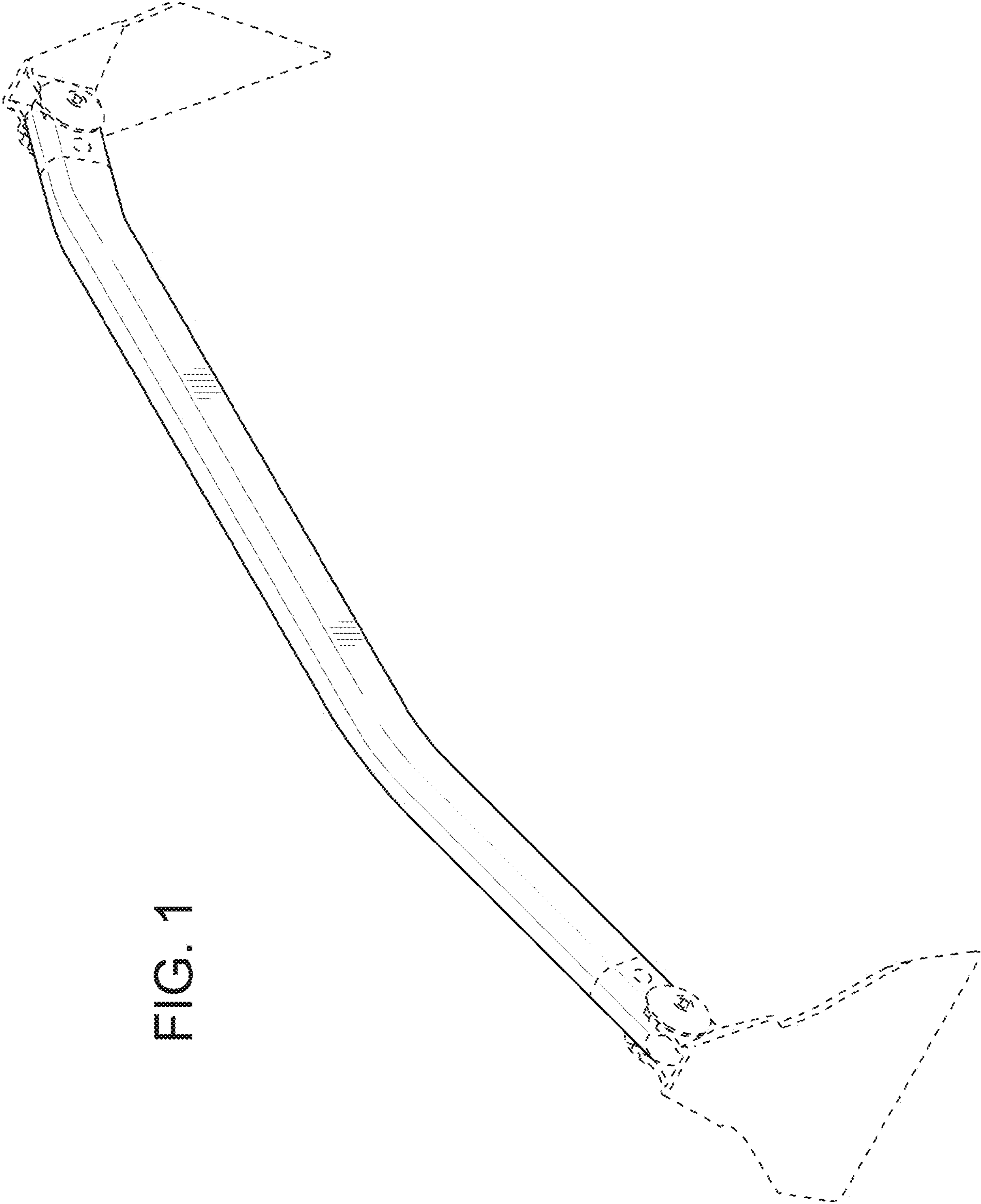
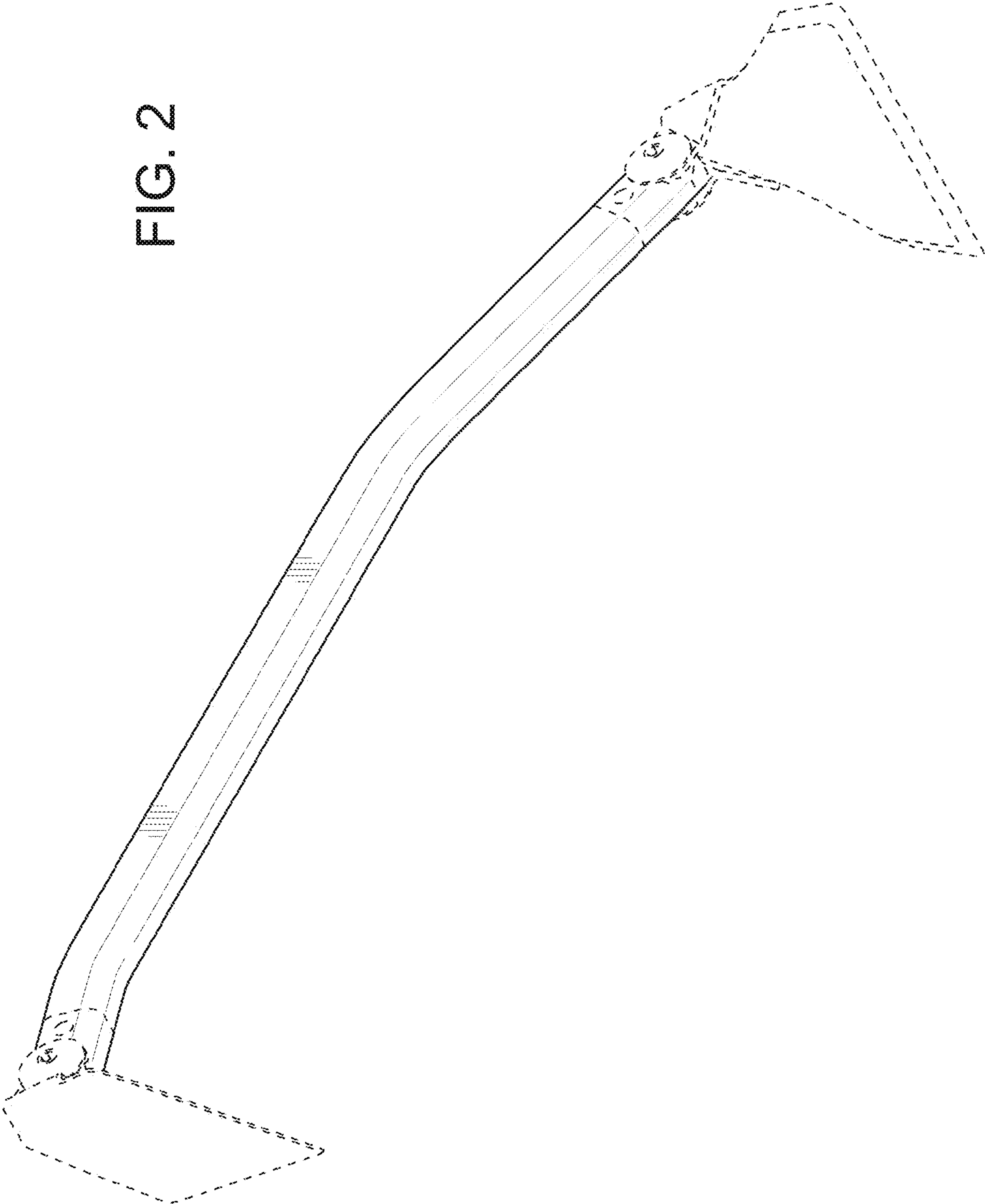


FIG. 1

FIG. 2



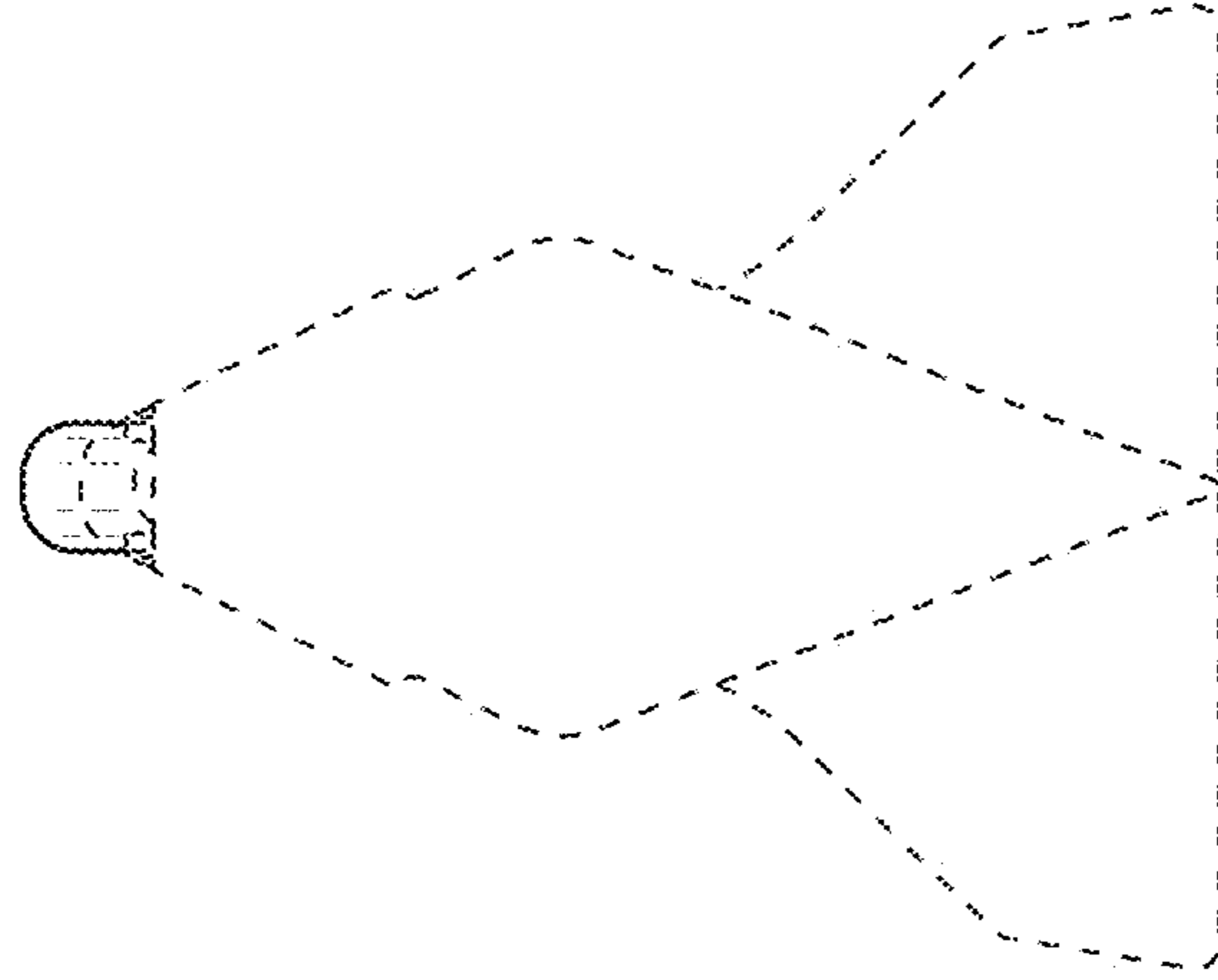


FIG. 3

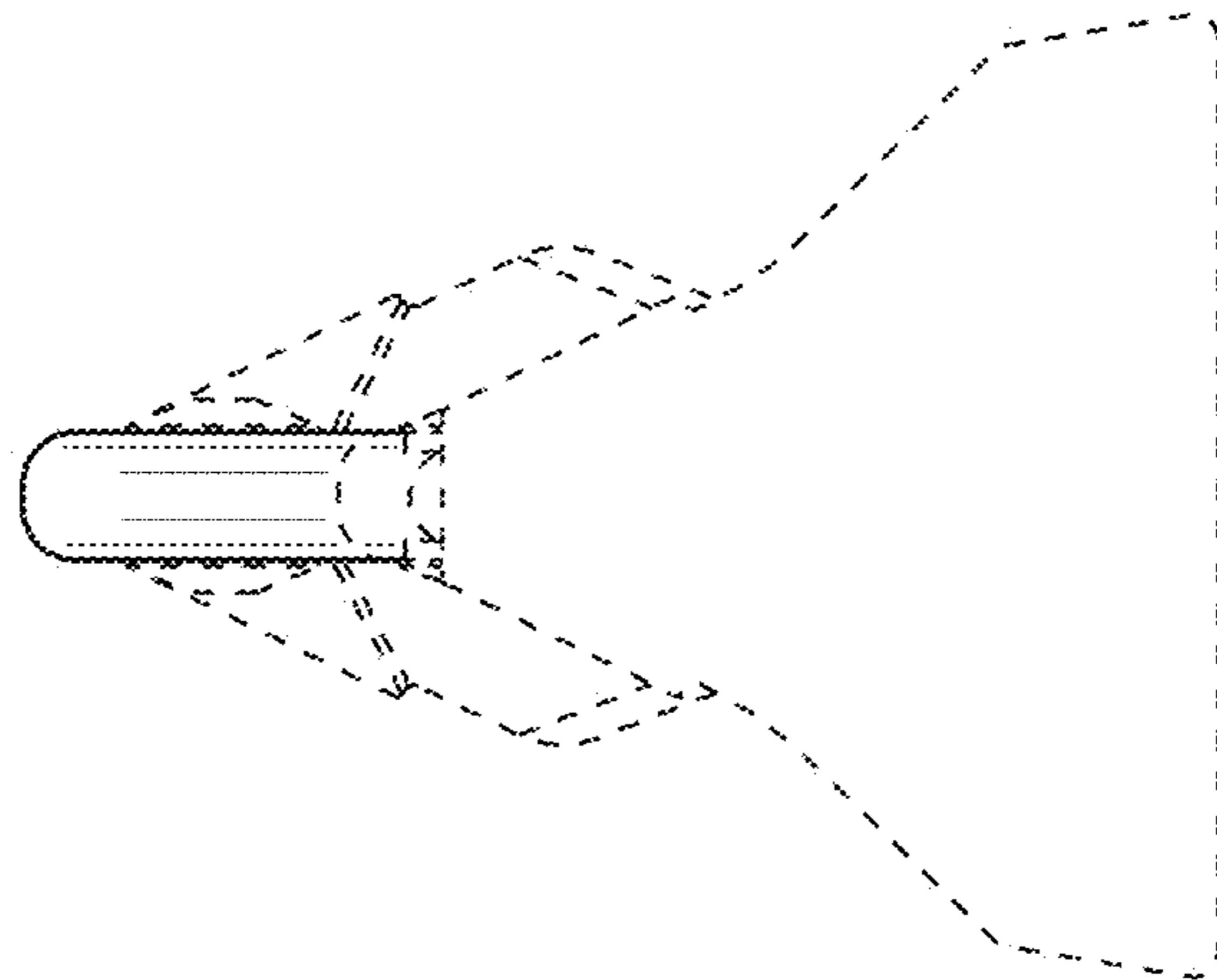


FIG. 4

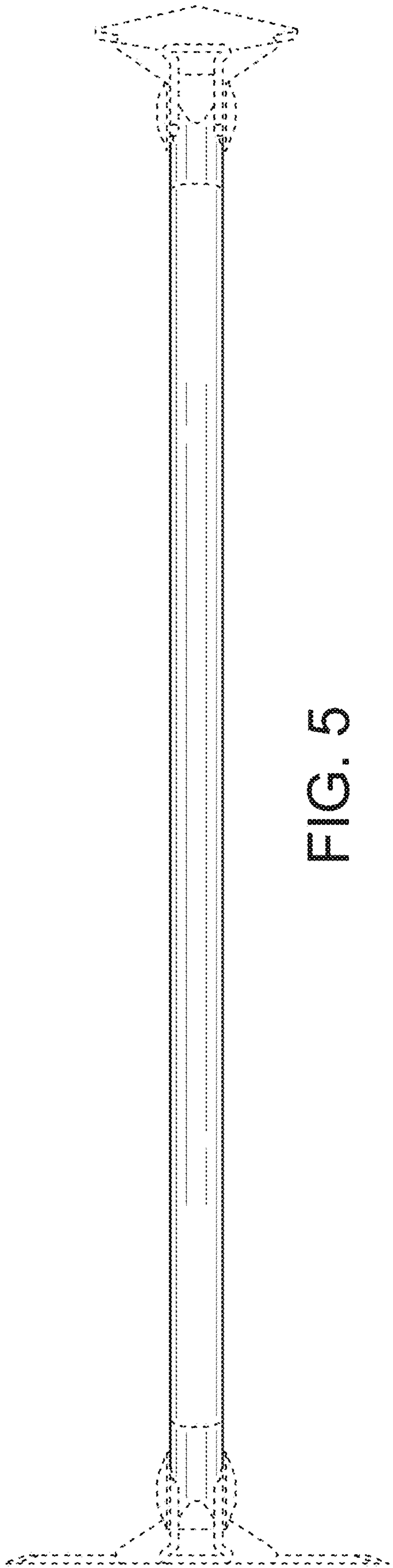


FIG. 5

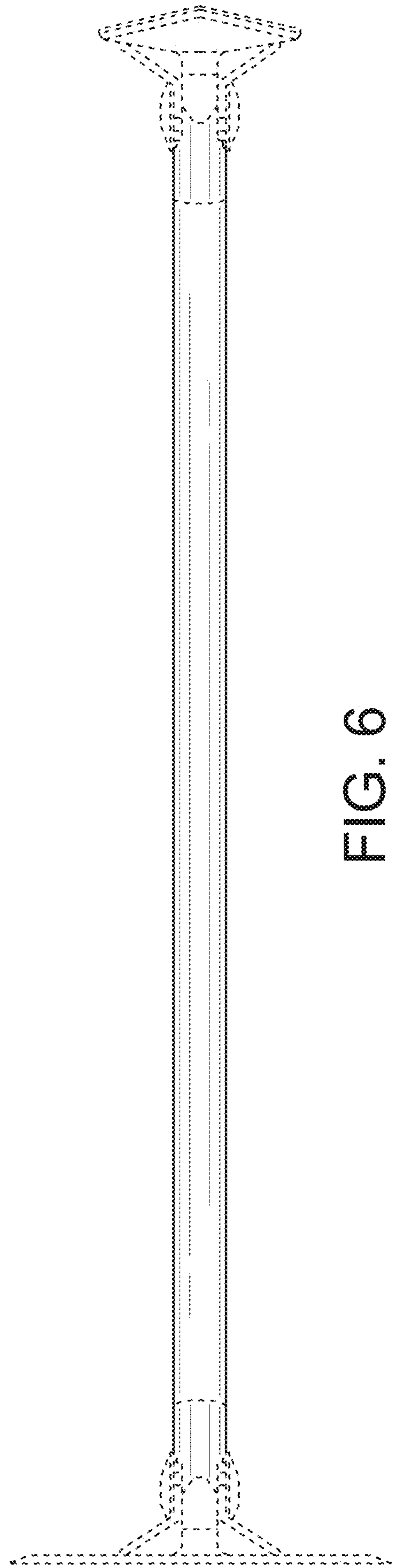


FIG. 6

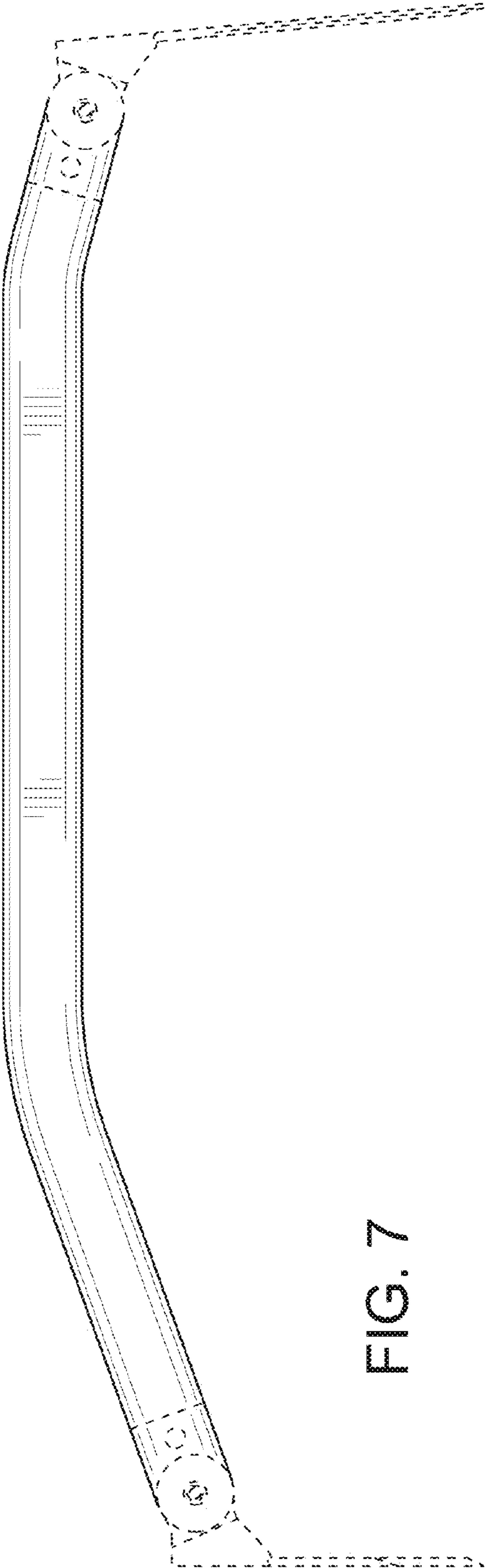


FIG. 7

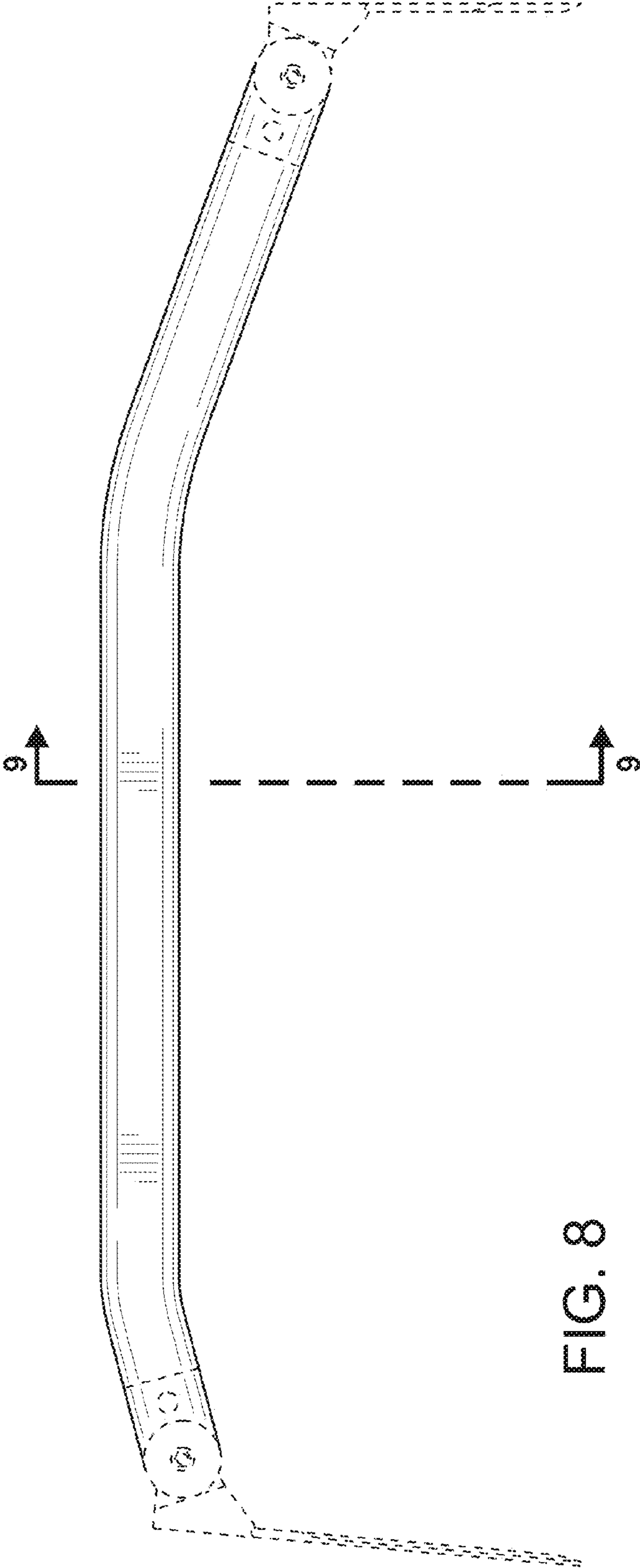


FIG. 8

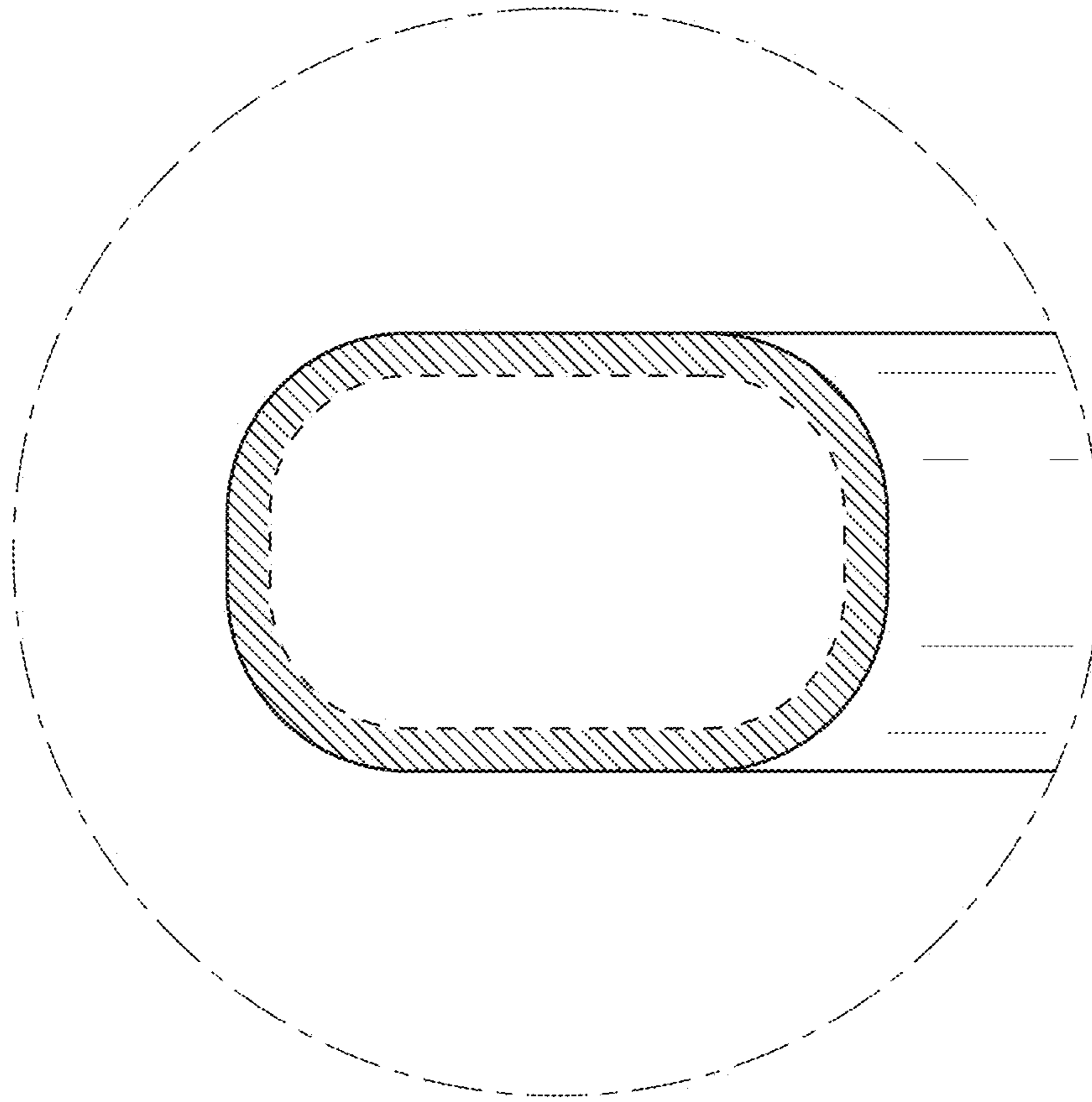


FIG. 10

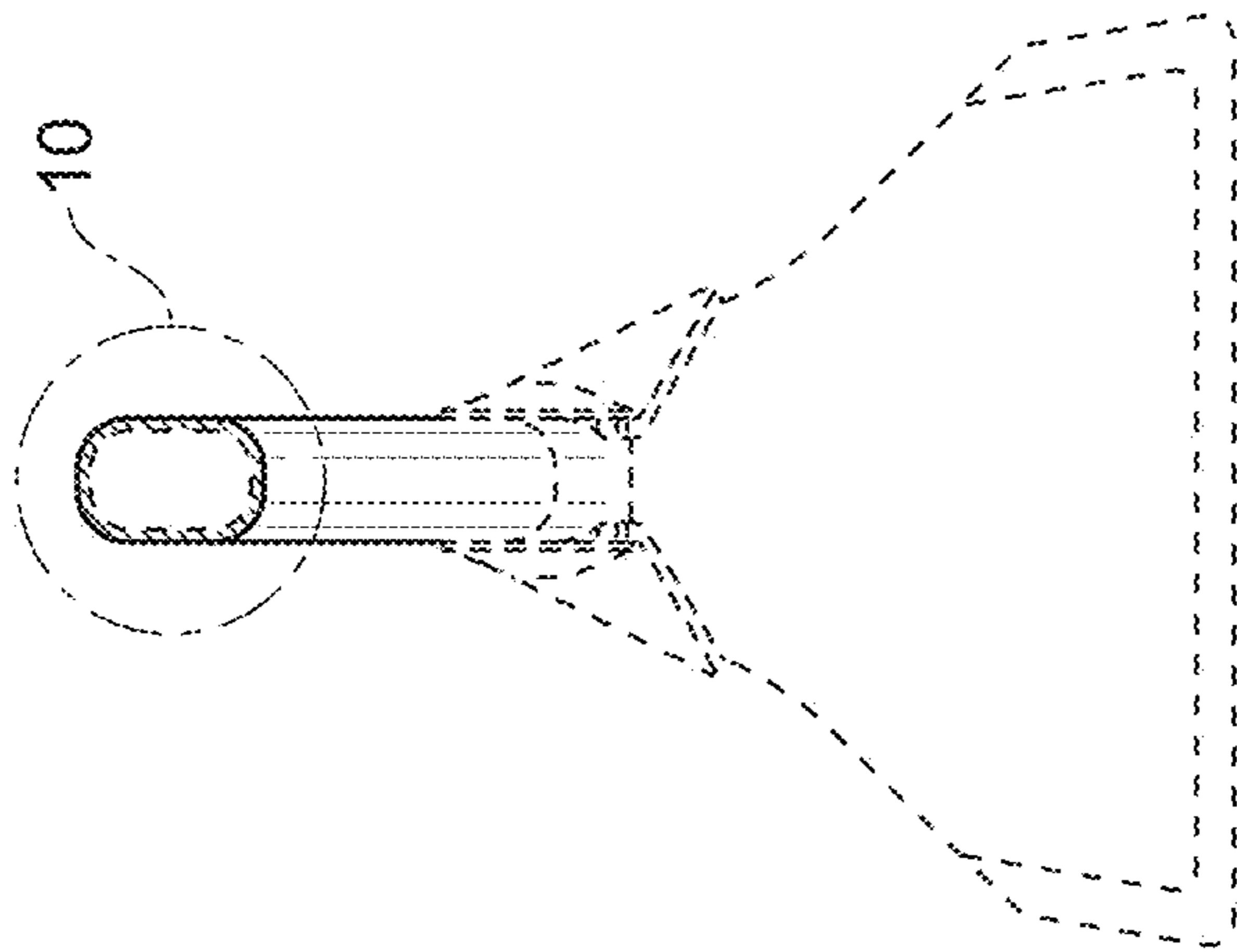


FIG. 9