



US00D958609S

(12) **United States Design Patent** (10) **Patent No.:** **US D958,609 S**  
**Xu** (45) **Date of Patent:** **\*\* Jul. 26, 2022**

(54) **CUTLERY STORAGE BOX**  
(71) Applicant: **Fenghua Xu**, Yueyang (CN)  
(72) Inventor: **Fenghua Xu**, Yueyang (CN)  
(\*\*) Term: **15 Years**  
(21) Appl. No.: **29/764,539**  
(22) Filed: **Dec. 30, 2020**  
(51) **LOC (13) Cl.** ..... **07-07**  
(52) **U.S. Cl.**  
USPC ..... **D7/637**  
(58) **Field of Classification Search**  
USPC ... D7/600.1, 600.3, 601, 602, 637-641, 701,  
D7/704, 705, 708; D3/304, 305, 313,  
D3/314; D6/323, 525, 527, 683, 683.1,  
D6/706; D19/77, 81, 92; D32/55, 56  
CPC ..... A47B 77/14; A47B 88/994; A47G 21/00;  
A47G 21/14; A47G 23/06; A47G  
23/0641; A47J 45/02; A47J 47/16; A47L  
19/00; A47L 19/02; A47L 19/04; B65D  
1/34; B65D 1/36  
See application file for complete search history.

D906,060 S \* 12/2020 Stevens ..... D7/637  
D906,061 S \* 12/2020 Stevens ..... A47B 88/90  
D7/641  
D932,847 S \* 10/2021 Joseph ..... D7/637  
D935,283 S \* 11/2021 Veldkamp ..... D7/637

**OTHER PUBLICATIONS**

Design No. 6153233, Aug. 6, 2021—UK Intellectual Property Office Publication Date—Aug. 6, 2021 Owner—Helen of Troy Limited DesignView, available at [www.tmdn.org/tmdsview-web/welcome](http://www.tmdn.org/tmdsview-web/welcome) (Year: 2021).  
Kitchen Drawer Organizer Tray, first available Jun. 30, 2021, Amazon, [online], [site visited Feb. 22, 2022], Available from internet URL: <https://www.amazon.com/dp/B0943S53WN> (Year: 2021).\*

\* cited by examiner

*Primary Examiner* — Mary Ann Calabrese  
*Assistant Examiner* — Natalya M Rapundalo

(57) **CLAIM**

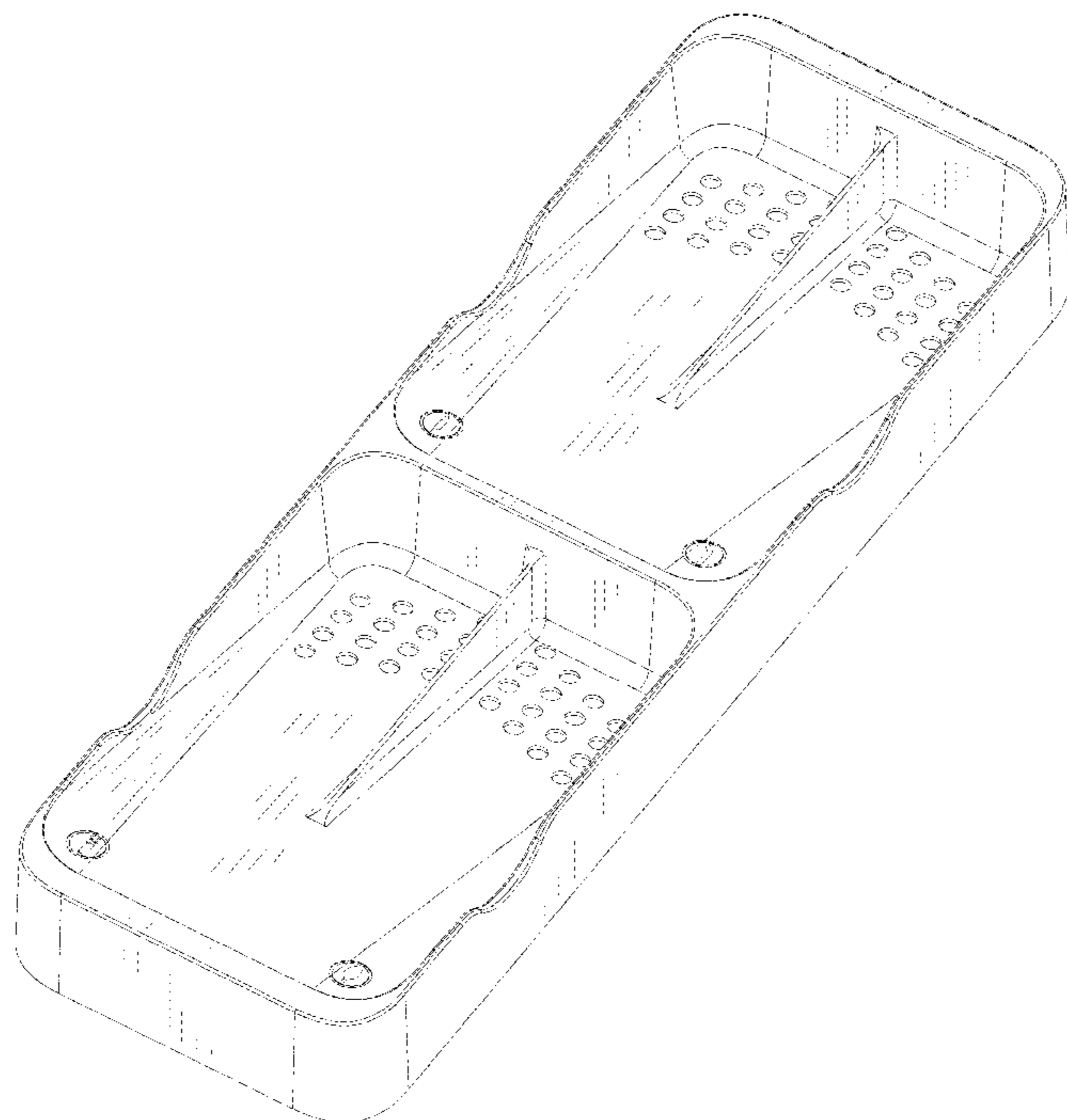
The ornamental design for a cutlery storage box, as shown and described.

**DESCRIPTION**

FIG. 1 is a top perspective view of a cutlery storage box showing my new design;  
FIG. 2 is a bottom perspective view thereof;  
FIG. 3 is a front view thereof;  
FIG. 4 is a rear view thereof;  
FIG. 5 is a left side view thereof;  
FIG. 6 is a right side view thereof;  
FIG. 7 is a top plan view thereof; and,  
FIG. 8 is a bottom plan view thereof.

**1 Claim, 8 Drawing Sheets**

(56) **References Cited**  
U.S. PATENT DOCUMENTS  
D365,730 S \* 1/1996 Brightbill ..... D3/313  
D434,952 S \* 12/2000 Diehl ..... D7/637  
D549,456 S \* 8/2007 Dretzka ..... D3/304  
8,047,373 B2 \* 11/2011 Murphy ..... A47B 88/90  
206/553  
D667,278 S \* 9/2012 Murphy ..... D7/637  
D708,022 S \* 7/2014 Breuss ..... D7/641  
D711,196 S \* 8/2014 May ..... D7/637  
D830,792 S \* 10/2018 Hsu ..... D7/637



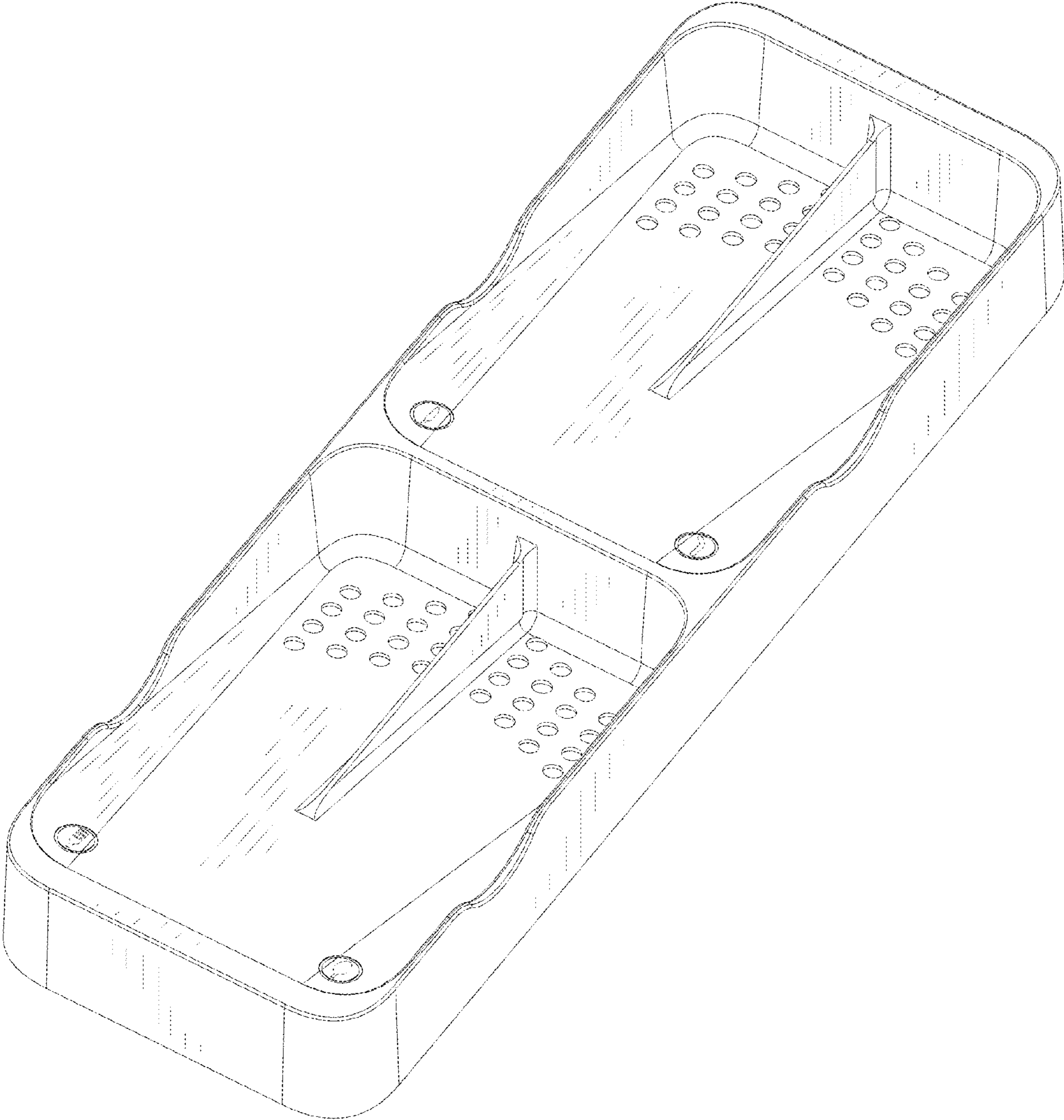


FIG.1

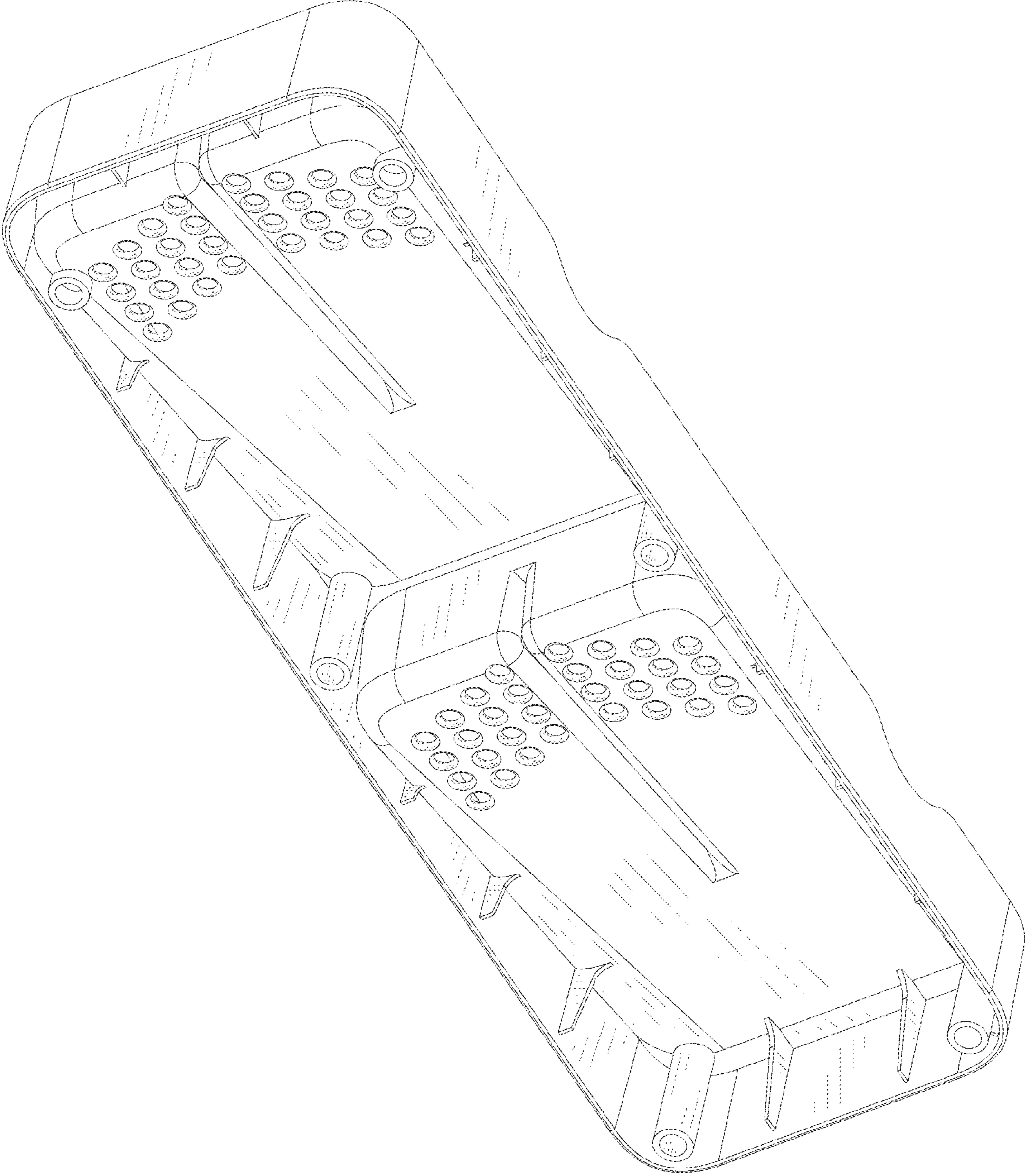


FIG. 2



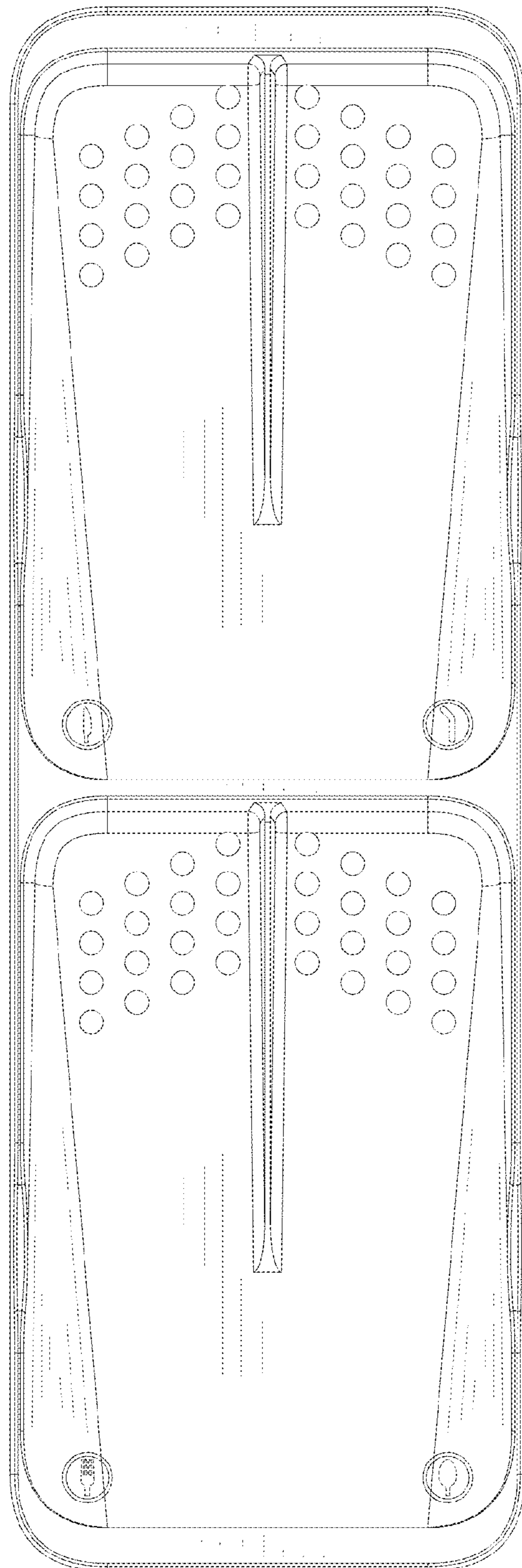


FIG. 3

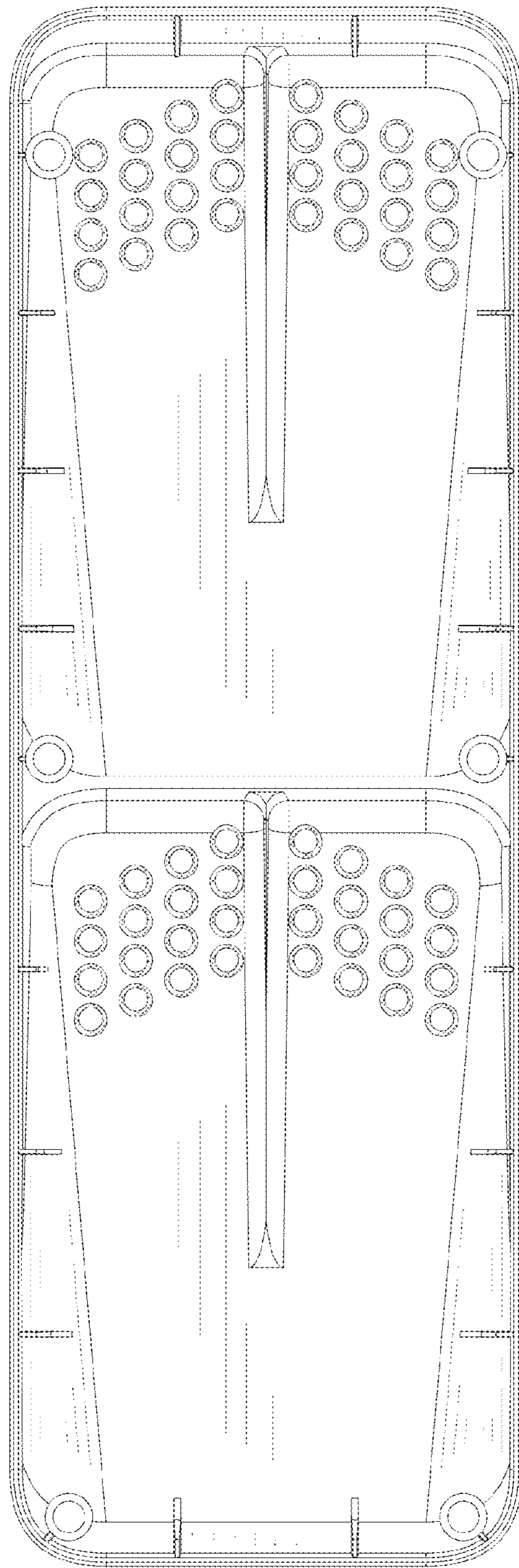


FIG. 4

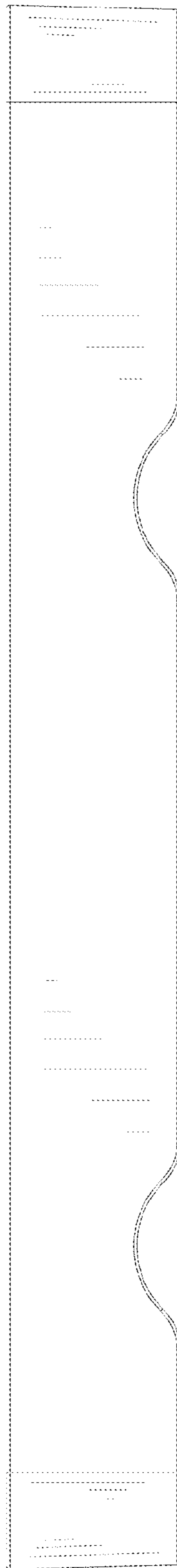


FIG. 5

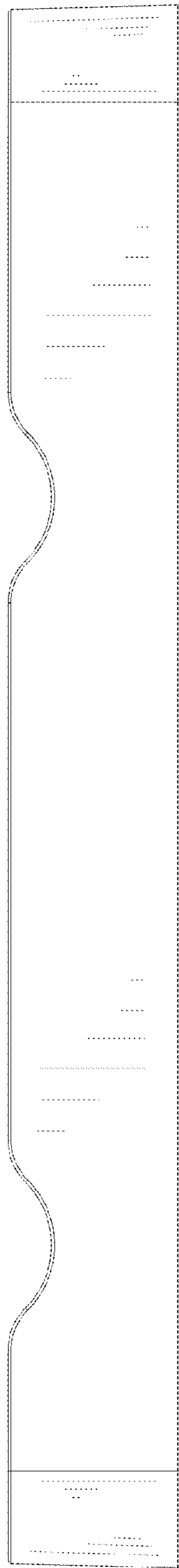


FIG. 6

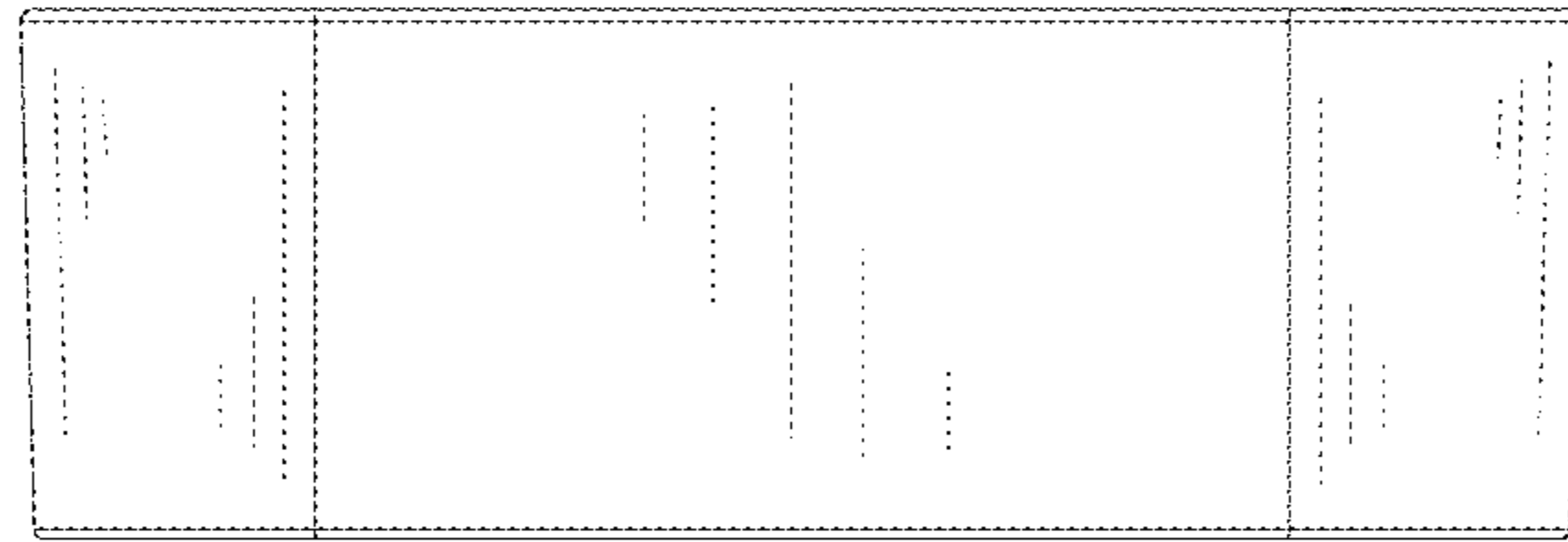


FIG. 7



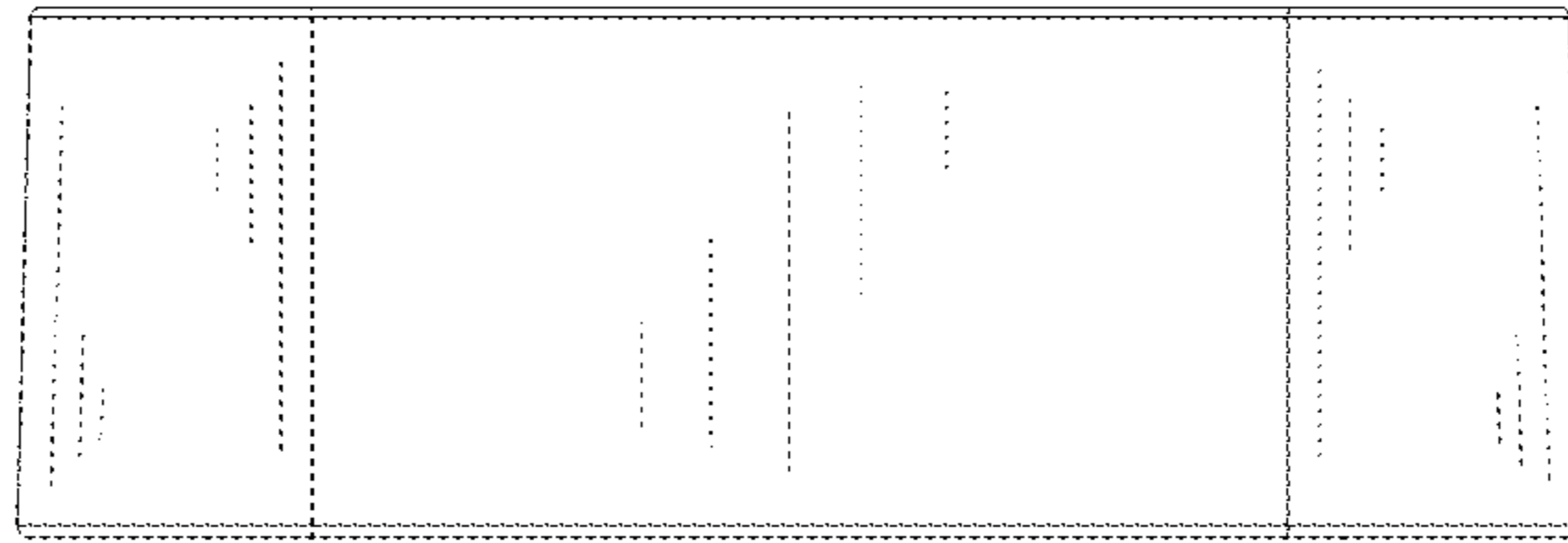


FIG. 8