



US00D958607S

(12) **United States Design Patent**
Zhong

(10) **Patent No.:** **US D958,607 S**

(45) **Date of Patent:** **** Jul. 26, 2022**

(54) **TRAY FOR COFFEE CAPSULES**

CPC A47F 5/03; A47F 3/10; A47F 5/0037
See application file for complete search history.

(71) Applicant: **XIAMEN LEGENDA ELECTRONIC TECHNOLOGY COMPANY LIMITED**, Xiamen (CN)

(56) **References Cited**

U.S. PATENT DOCUMENTS

D204,033 S * 3/1966 Hall D16/236
D263,780 S * 4/1982 Hildebrand D6/552
D271,655 S * 12/1983 Numbers D7/707
D297,191 S * 8/1988 Frieden, Jr. D6/677.1

(Continued)

FOREIGN PATENT DOCUMENTS

CN 304978874 * 1/2019
CN 305825837 * 6/2020
CN 306601684 * 6/2021

(72) Inventor: **Wenda Zhong**, Xiamen (CN)

(73) Assignee: **XIAMEN LEGENDA ELECTRONIC TECHNOLOGY COMPANY LIMITED**, Xiamen (CN)

(**) Term: **15 Years**

(21) Appl. No.: **29/771,406**

OTHER PUBLICATIONS

(22) Filed: **Feb. 23, 2021**

Coffee Pod Carousel, Nambe Ridge, cutleryandmore.com, author unlisted, published on Dec. 27, 2014 per wayback machine © 1999-2021 Cutlery and More, LLC, online, site visited Aug. 9, 2021. Available from Internet, URL: <https://www.cutleryandmore.com/nambe/...ridge-stainless-steel-coffee-pod-carousel-p133374> (Year: 2014).*

(Continued)

Related U.S. Application Data

(63) Continuation-in-part of application No. 29/729,864, filed on Mar. 31, 2020.

Foreign Application Priority Data

Jan. 20, 2020 (CN) 202030040709.0

Primary Examiner — Sandra Snapp

Assistant Examiner — Altaira J Swangin

(51) **LOC (13) Cl.** **07-09**

(74) *Attorney, Agent, or Firm* — Bayramoglu Law Offices LLC

(52) **U.S. Cl.**

(57) **CLAIM**

USPC **D7/600.1; D7/600.4**

The ornamental design for a tray for coffee capsules, as shown and described.

(58) **Field of Classification Search**

DESCRIPTION

USPC D7/500–501, 503, 513, 523, 529, 546,
D7/550.1, 553.1, 553.6, 584, 596,
D7/600.1–600.2, 600.4, 601, 608, 611,
D7/640, 701, 704, 707; D9/757–758,
D9/762; D3/254, 257–258; D28/38, 73;
D8/71–74

FIG. 1 is a top perspective view of a tray for coffee capsules showing my new design;
FIG. 2 is a front view thereof;
FIG. 3 is a rear view thereof;
FIG. 4 is a left side view thereof;

(Continued)

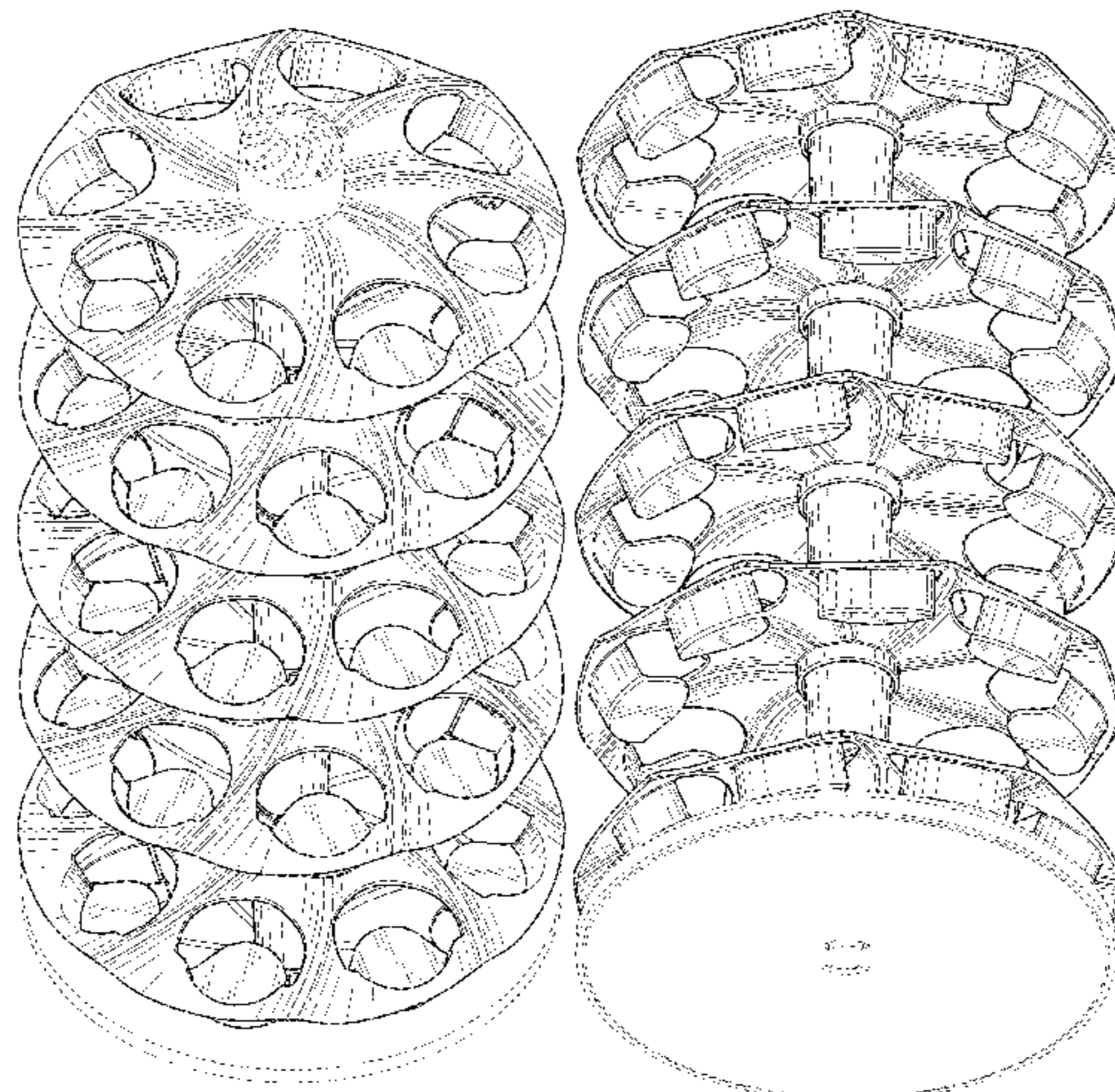


FIG. 5 is a right side view thereof;
 FIG. 6 is a top view thereof; and,
 FIG. 7 is a bottom perspective view thereof.
 The broken lines depict portions of the tray for coffee capsules that form no part of the claimed design.

1 Claim, 7 Drawing Sheets

(56)

References Cited

U.S. PATENT DOCUMENTS

D300,266 S *	3/1989	Lane	D11/118
D322,085 S *	12/1991	Canning	D16/236
D375,580 S *	11/1996	Giedd	D19/103
D381,123 S *	7/1997	Giedd	D19/103
D387,582 S *	12/1997	Bonazza	D28/73
D407,279 S *	3/1999	Tisdale	D7/600.2
D420,852 S *	2/2000	Demers	D7/501
6,520,352 B2 *	2/2003	Mondragon	A47F 5/02 211/129.1
D490,848 S *	6/2004	Pope	D19/107
D511,941 S *	11/2005	McGuyer	D7/600.1
D512,282 S *	12/2005	Martin	D7/600.4
D513,948 S *	1/2006	Martin	D7/600.4
D560,974 S *	2/2008	Goode	D7/500

D567,585 S *	4/2008	Kovach	D7/501
D577,961 S *	10/2008	O'Brien	D7/500
D624,360 S *	9/2010	Leavelle	D7/501
D679,056 S *	3/2013	Mazza	D28/73
D691,423 S *	10/2013	Chapman	D7/600.2
8,915,391 B2 *	12/2014	Radow	A47G 19/00 220/23.83
D763,627 S *	8/2016	Thompson	D7/600.1
D768,442 S *	10/2016	Lee	D7/600.2
D770,684 S *	11/2016	Petruccelli	D28/73
10,179,334 B2 *	1/2019	Driscoll	B01L 9/54
D854,250 S *	7/2019	Huang	D28/73
D856,399 S *	8/2019	Rebot	D16/236
D867,073 S *	11/2019	McConnell	D7/600.2
D879,562 S *	3/2020	Zhong	D7/600.4
10,694,844 B1 *	6/2020	Smed	A47F 5/04
D897,120 S *	9/2020	Maschinski	D6/322
D920,020 S *	5/2021	Adams	D6/677.1

OTHER PUBLICATIONS

Coffee Pod Carousel, Everie, cutleryandmore.com, published by Everie, first available on Nov. 29, 2018 © 1996-2021 Amazon.com, Inc., online, site visited Aug. 9, 2021. Available from Internet, URL: <https://www.amazon.com/dp/B07KZHQQHP/?tag=cb-032049-20> (Year: 2018).*

* cited by examiner

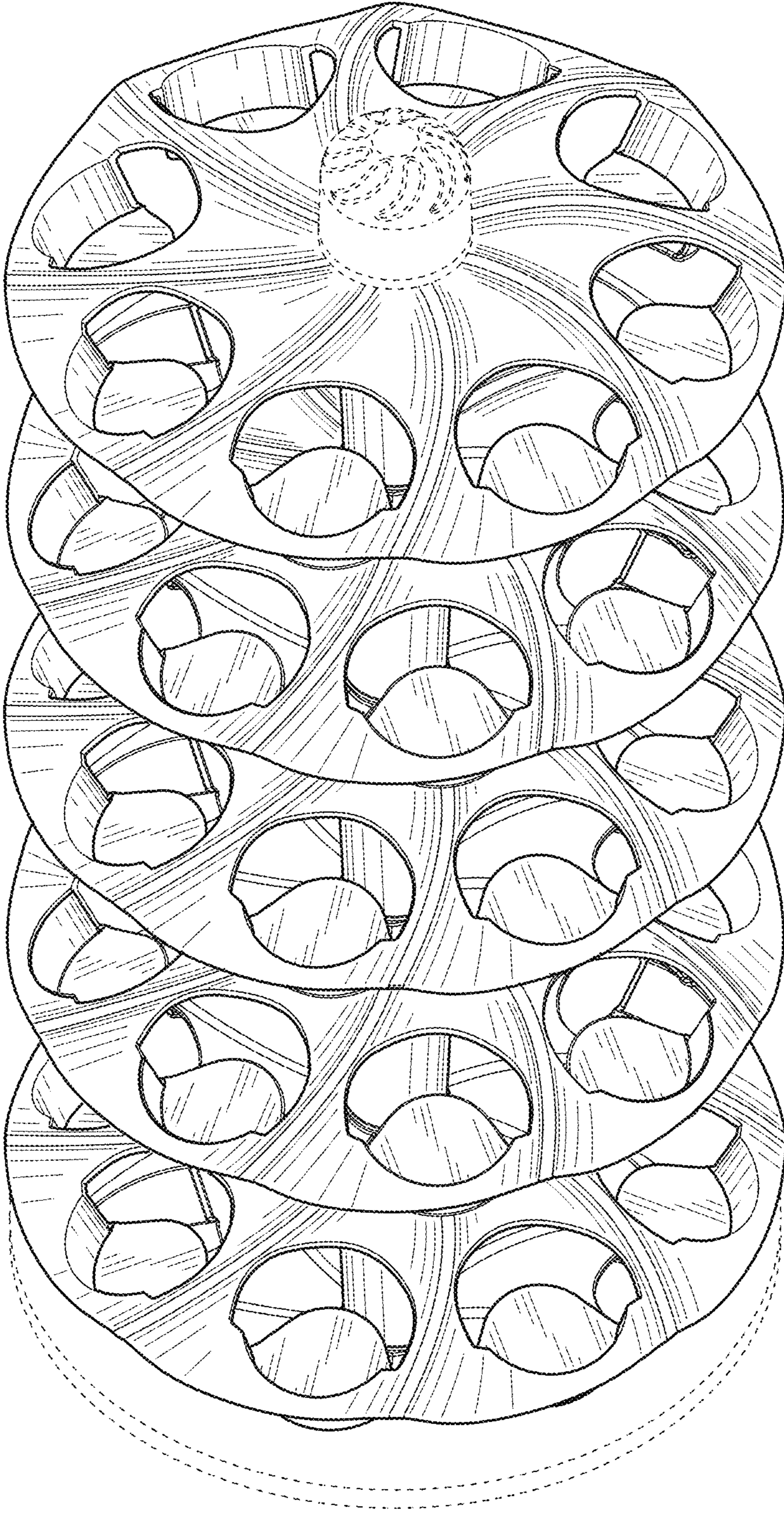


FIG. 1

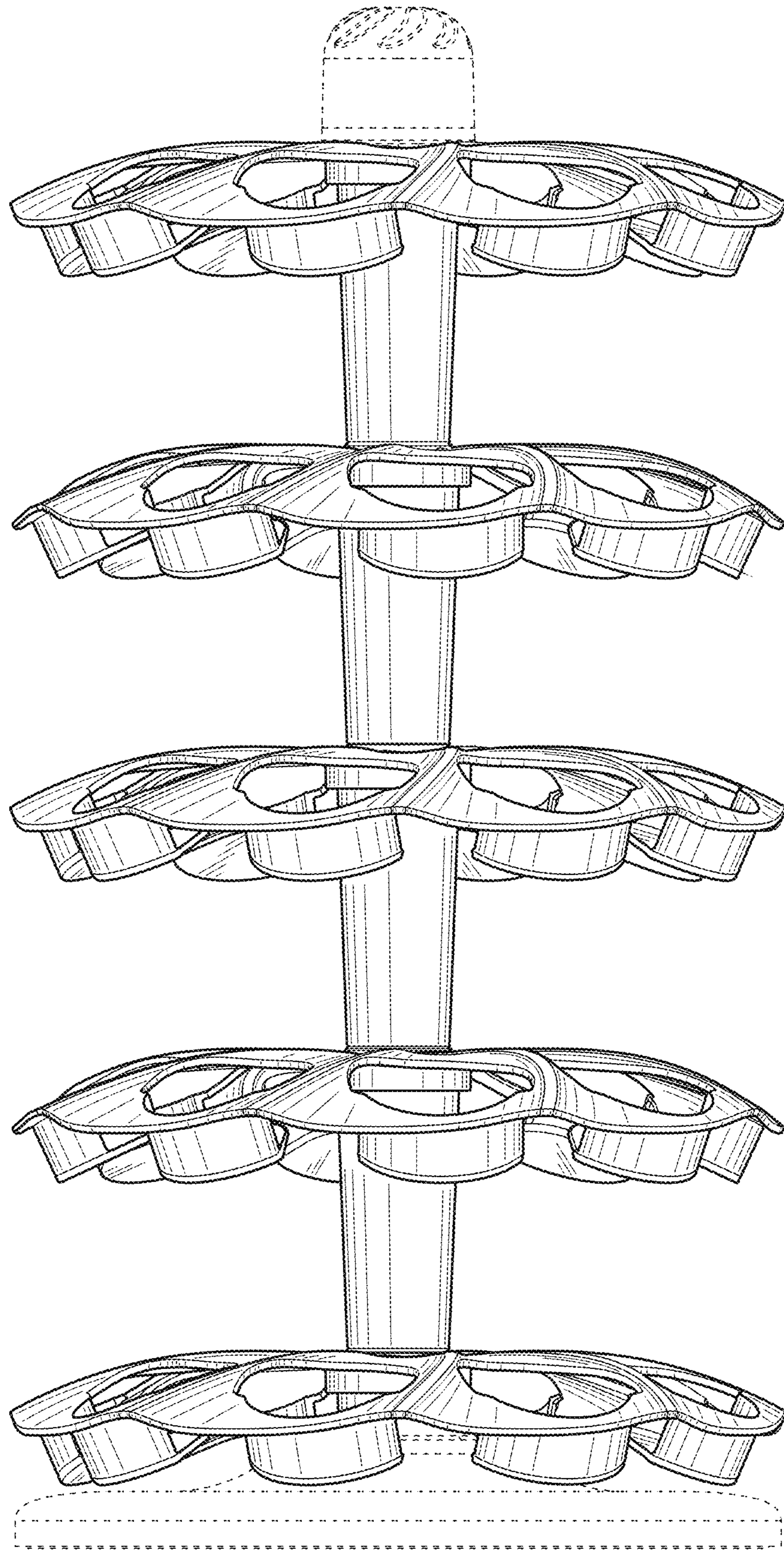


FIG. 2

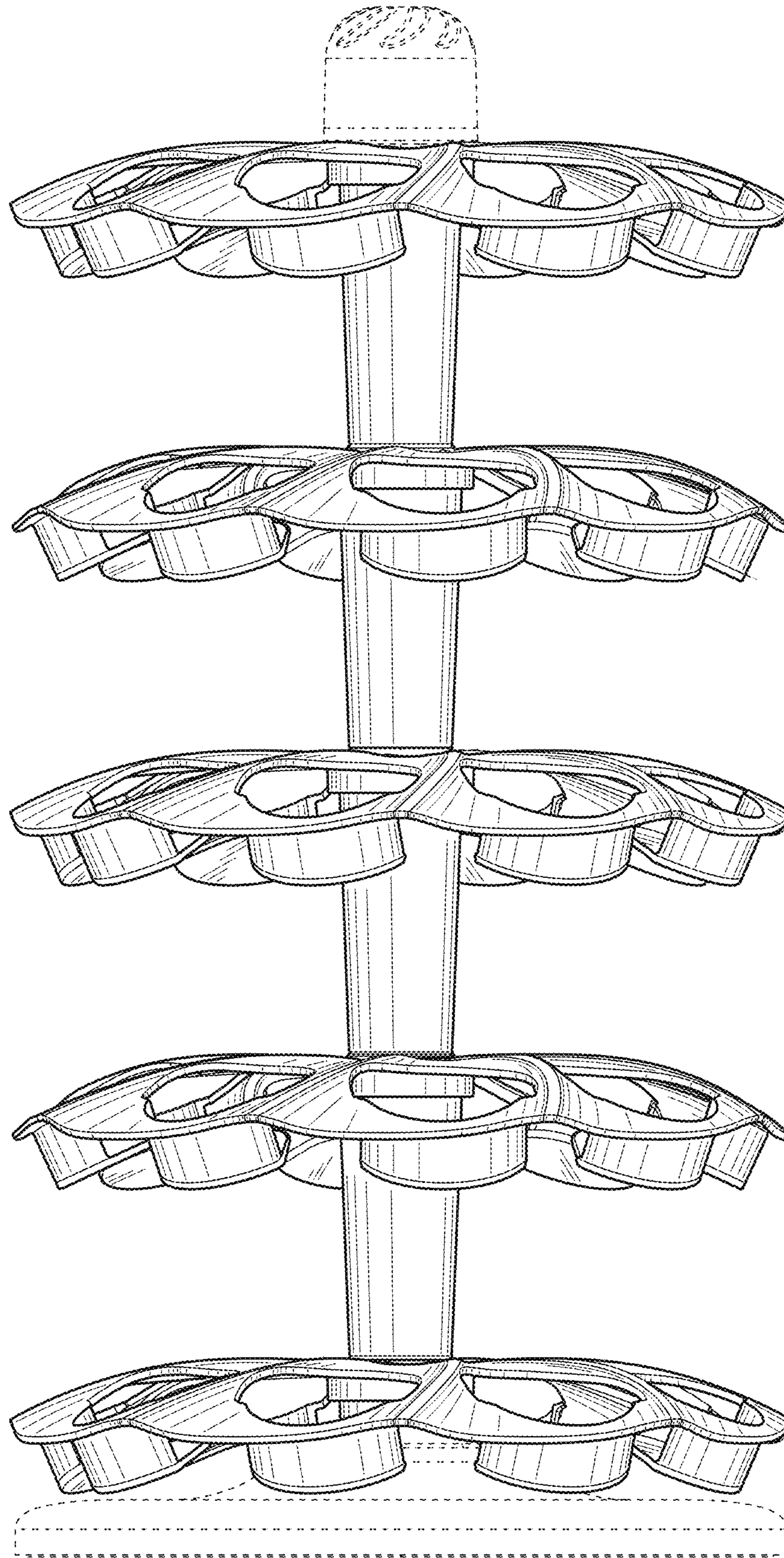


FIG. 3

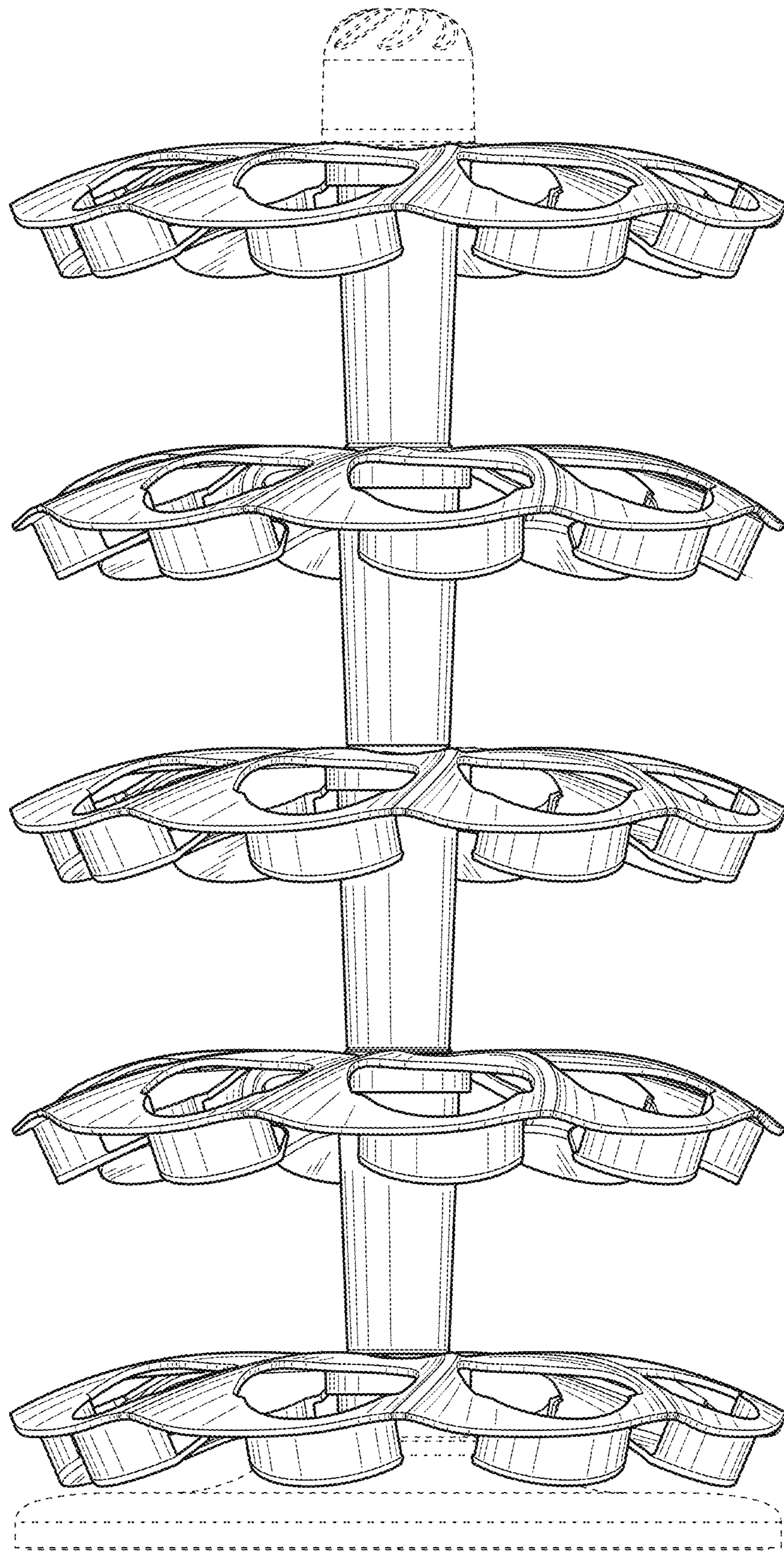


FIG. 4

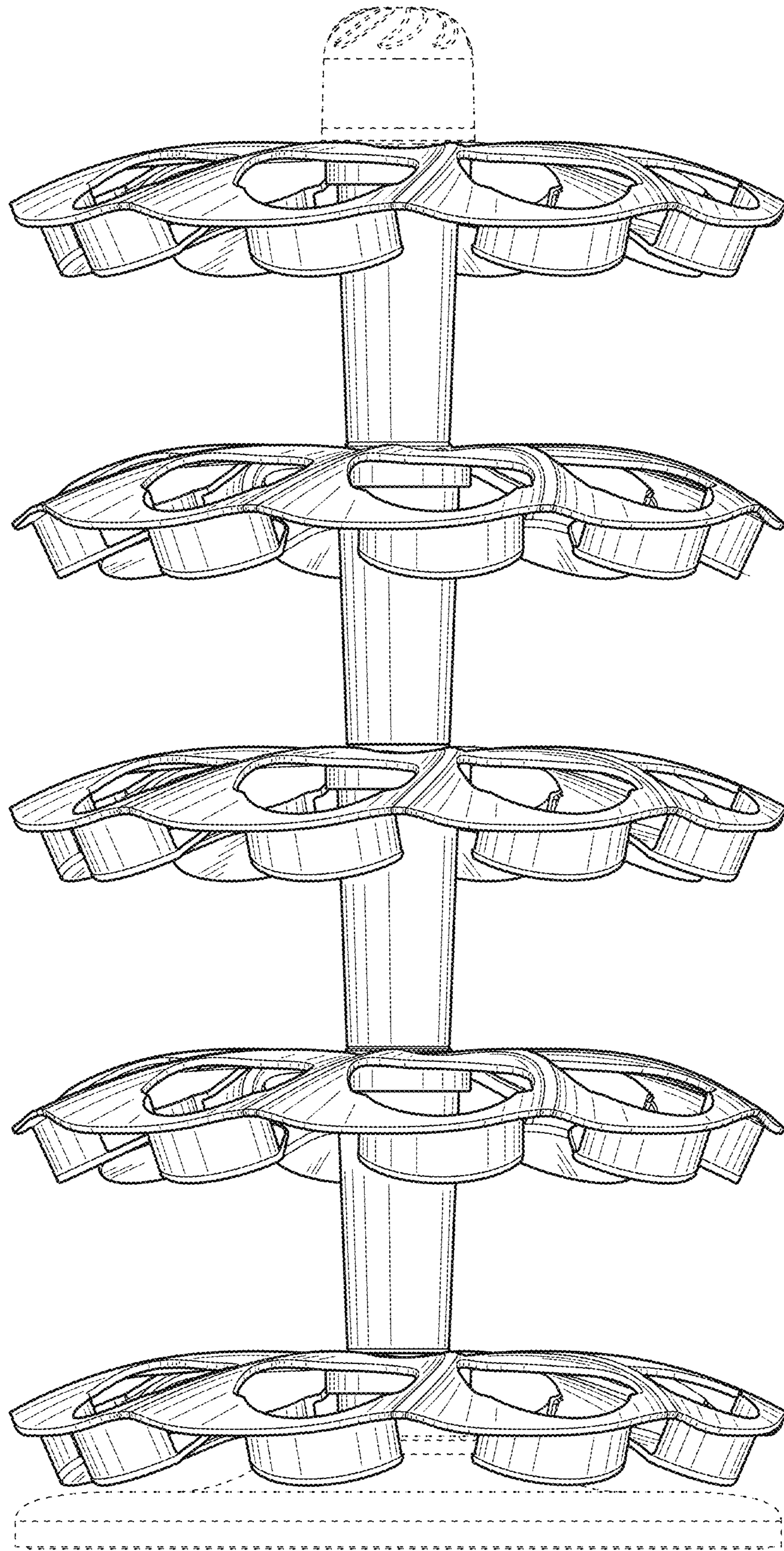


FIG. 5

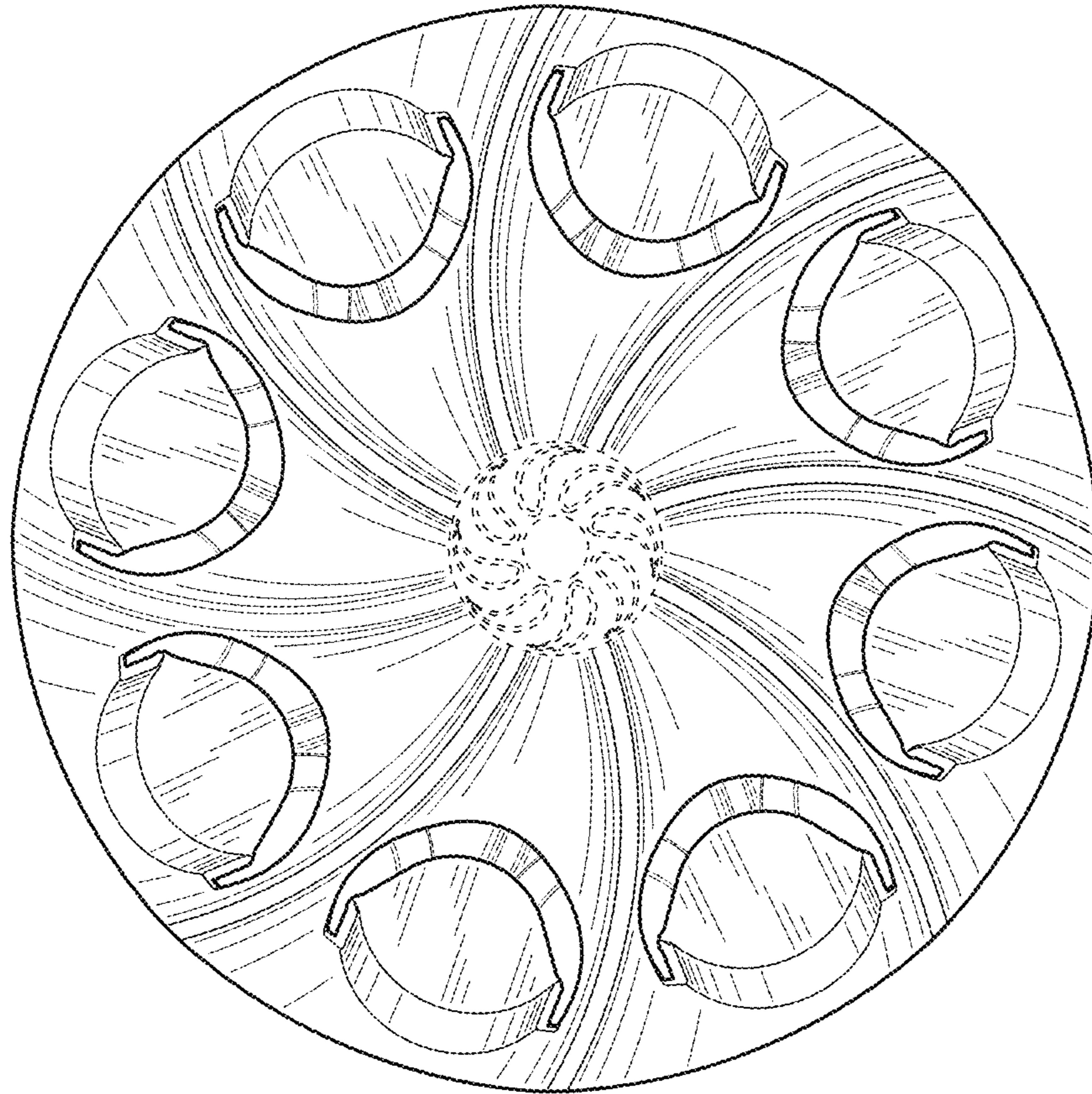


FIG. 6

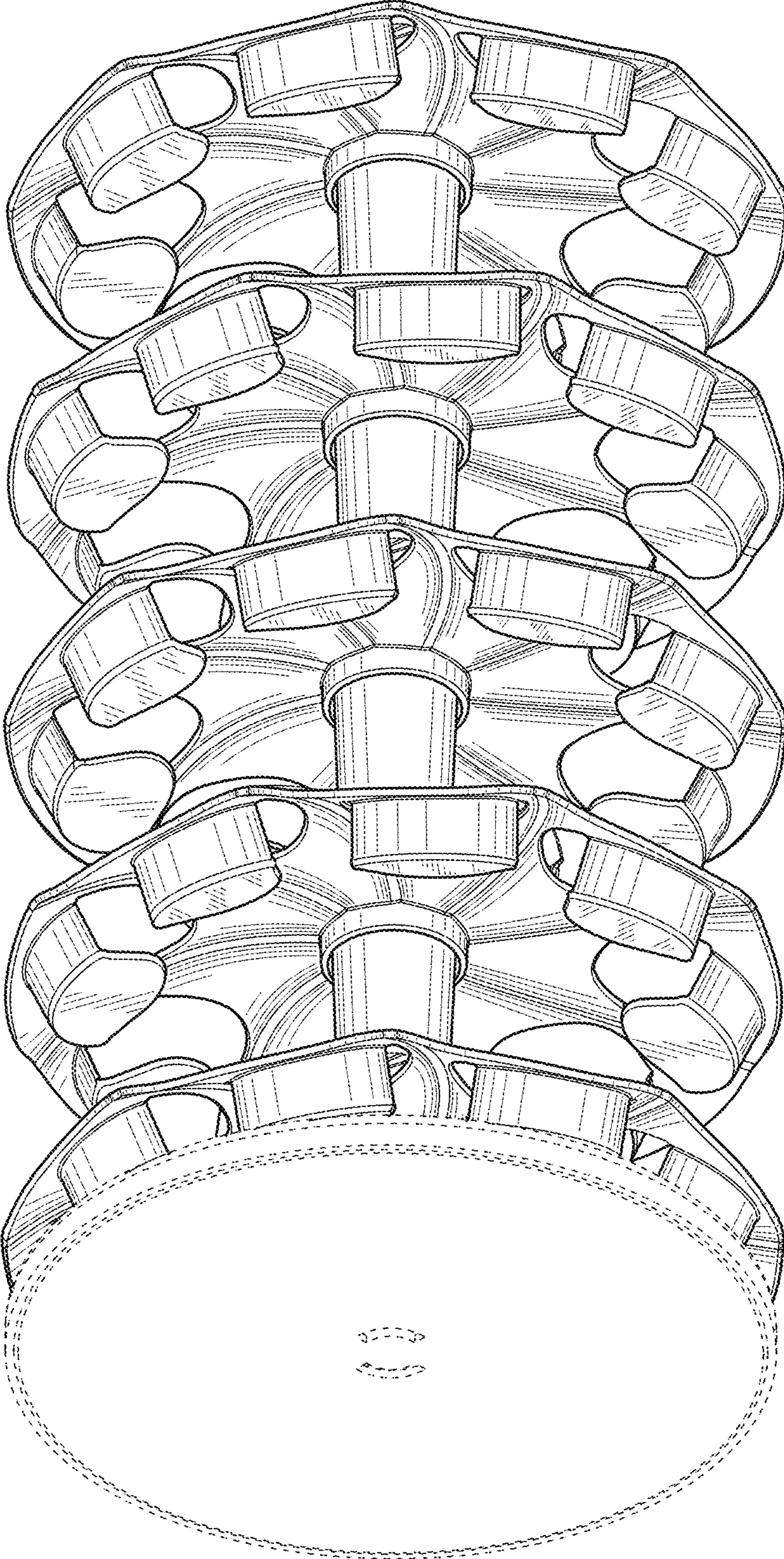


FIG. 7