



US00D958604S

(12) **United States Design Patent**  
**Jan**

(10) **Patent No.:** **US D958,604 S**  
(45) **Date of Patent:** **\*\* Jul. 26, 2022**

- (54) **EATING DISH**
- (71) Applicant: **SOLO BRANDS, LLC**, Grapevine, TX (US)
- (72) Inventor: **Jeffrey Jan**, Fort Worth, TX (US)
- (73) Assignee: **SOLO BRANDS, LLC**, Grapevine, TX (US)
- (\*\*) Term: **15 Years**
- (21) Appl. No.: **29/731,924**
- (22) Filed: **Apr. 20, 2020**

- D331,860 S \* 12/1992 Stanfield ..... D7/505
- 5,207,743 A \* 5/1993 Costarella ..... A47G 19/065  
220/574
- 5,234,125 A \* 8/1993 Roberts ..... A47G 19/065  
206/815
- 5,419,455 A \* 5/1995 Russeau ..... A47G 19/06  
206/564
- D392,156 S \* 3/1998 Michael ..... D7/546
- D424,934 S \* 5/2000 McCann ..... D7/562
- D448,977 S \* 10/2001 Bleimaier ..... D7/553.6
- D463,217 S \* 9/2002 Yang ..... D7/553.6
- 6,651,836 B1 11/2003 Hofheins et al.
- 6,691,890 B1 \* 2/2004 Persson ..... A47G 19/065  
220/574
- D533,407 S \* 12/2006 McMullin ..... D7/565
- D557,072 S 12/2007 Lim
- D603,224 S 11/2009 Luft

(Continued)

**Related U.S. Application Data**

- (63) Continuation of application No. 29/659,175, filed on Aug. 7, 2018, now Pat. No. Des. 883,035.
- (51) **LOC (13) Cl.** ..... **07-01**
- (52) **U.S. Cl.**  
USPC ..... **D7/552.1**
- (58) **Field of Classification Search**  
USPC ..... D7/500, 550.1, 552.1, 553.6, 554.2,  
D7/586-587, 601-602; D30/129;  
D3/304  
CPC ..... B65D 1/00; B65D 11/00; B65D 11/20;  
A47G 19/02; A47G 19/12; A47G 23/06;  
A47G 23/0608  
See application file for complete search history.

*Primary Examiner* — Kelley A Donnelly

(74) *Attorney, Agent, or Firm* — Haynes and Boone, LLP

(57) **CLAIM**

The ornamental design for an eating dish, as shown and described.

**DESCRIPTION**

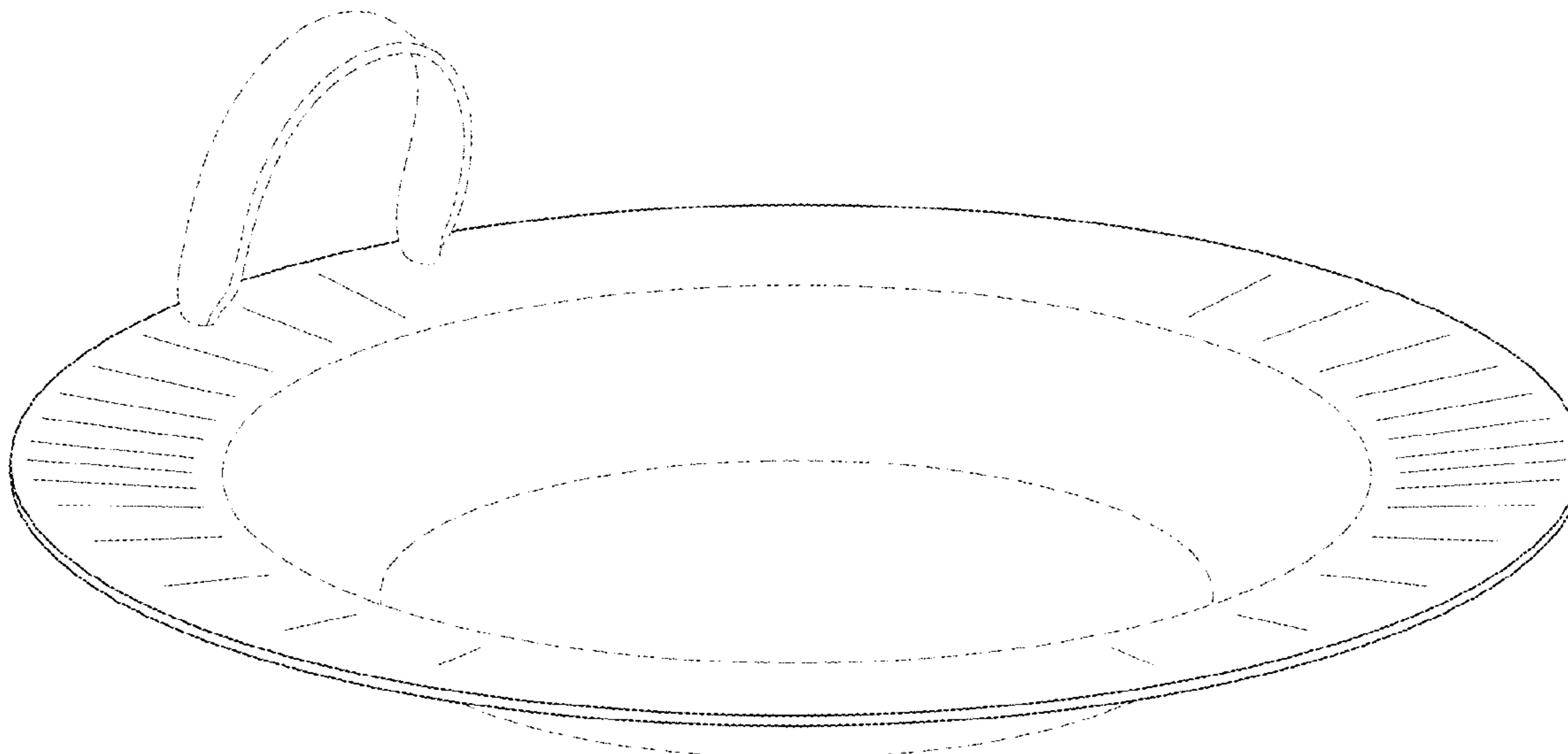
FIG. 1 is a top perspective view of an eating dish showing my new design;  
 FIG. 2 is a top view thereof;  
 FIG. 3 is a bottom view thereof;  
 FIG. 4 is a front view thereof;  
 FIG. 5 is a back view thereof;  
 FIG. 6 is a side view thereof;  
 FIG. 7 is a side view thereof; and,  
 FIG. 8 is an exploded perspective view thereof.  
 The ornamental design which is claimed is shown in solid lines in the drawings. The broken lines in the drawings are for illustrative purposes only and form no part of the claimed design.

**1 Claim, 6 Drawing Sheets**

(56) **References Cited**

**U.S. PATENT DOCUMENTS**

- D48,930 S 4/1916 Douglass
- D150,666 S 2/1946 Zachary
- 2,916,180 A \* 12/1959 Alger ..... A47G 23/0225  
294/146
- D188,285 S 6/1960 Scavullo
- D307,529 S \* 5/1990 Baetens ..... D7/619.1
- 5,085,391 A \* 2/1992 Berger ..... A47G 19/06  
D7/553.6



(56)

**References Cited**

U.S. PATENT DOCUMENTS

D604,993	S	*	12/2009	Vernes .....	D7/545
D623,018	S	*	9/2010	Reyhan .....	D7/550.1
D629,654	S	*	12/2010	Moon .....	D7/553.6
8,136,667	B2		3/2012	Raynor	
D668,508	S		10/2012	Zox	
D673,007	S		12/2012	Zox	
9,016,510	B2	*	4/2015	Edwards .....	B60N 3/106 220/574.1
D749,908	S		2/2016	Cai	
D750,441	S	*	3/2016	Hartmann .....	D7/553.5
D752,924	S	*	4/2016	Vue .....	D7/553.1
D778,679	S	*	2/2017	Takaoka .....	D7/585
D792,745	S	*	7/2017	Wu .....	D7/587
D795,016	S		8/2017	Crawford	
D818,319	S	*	5/2018	Gomoll .....	D7/585
D823,063	S		7/2018	Guo	
D835,943	S	*	12/2018	Arseneau .....	D7/586
D869,239	S		12/2019	Wands	
D869,898	S		12/2019	Hannigan	
D871,609	S	*	12/2019	Isozaki .....	D24/224
D943,539	S	*	2/2022	Perry .....	D15/144.1
2010/0078350	A1	*	4/2010	Raynor .....	A47G 19/06 220/737

\* cited by examiner

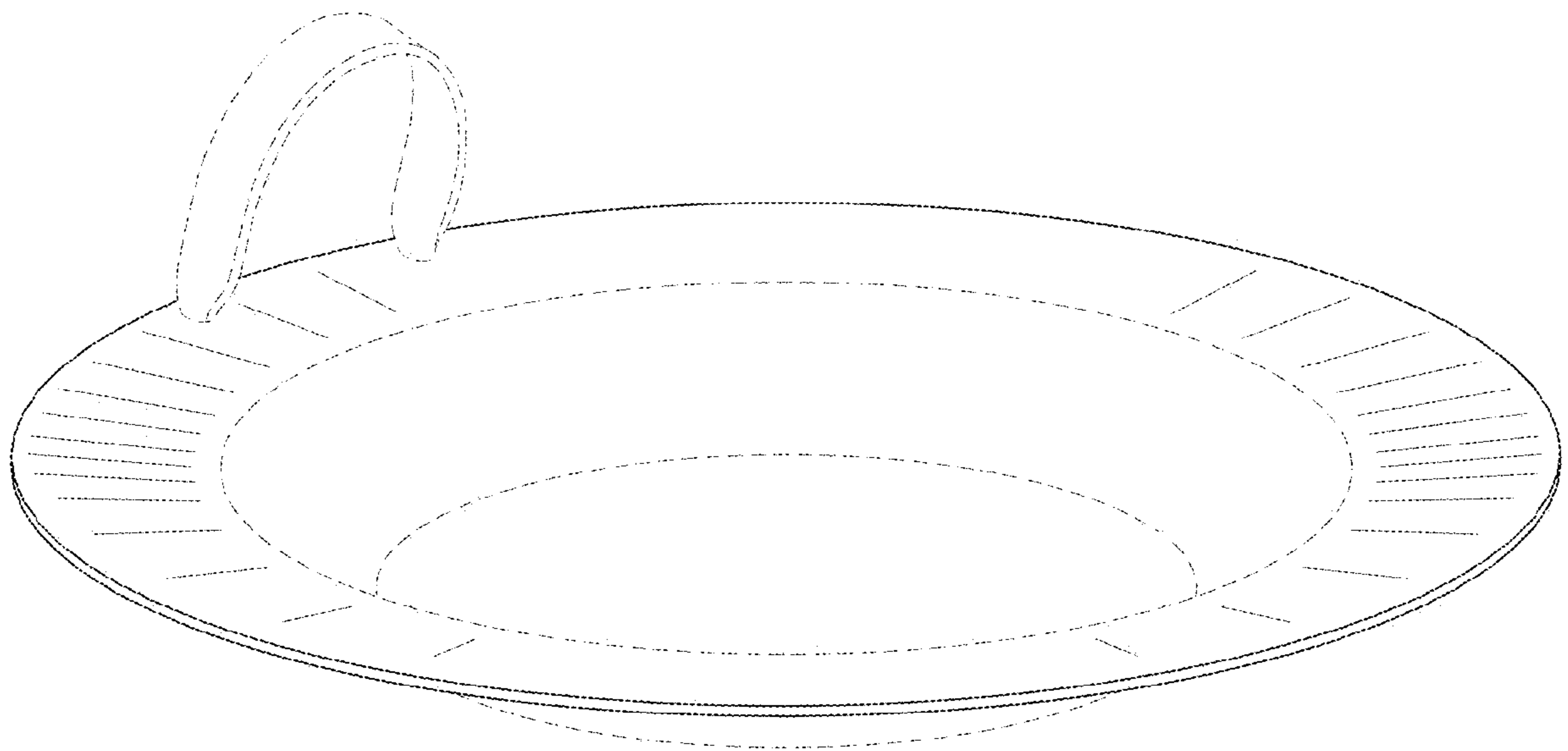


FIG. 1

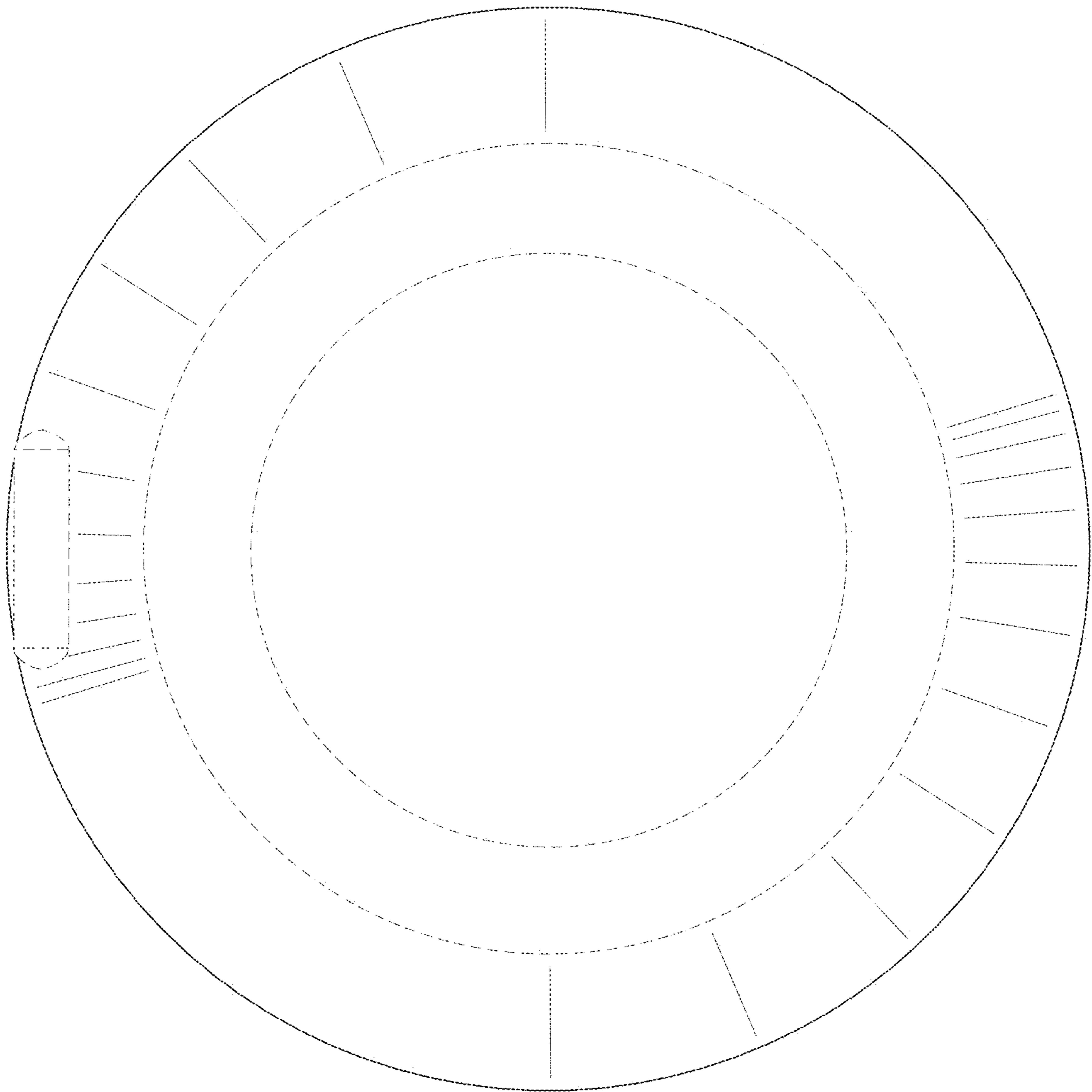


FIG. 2

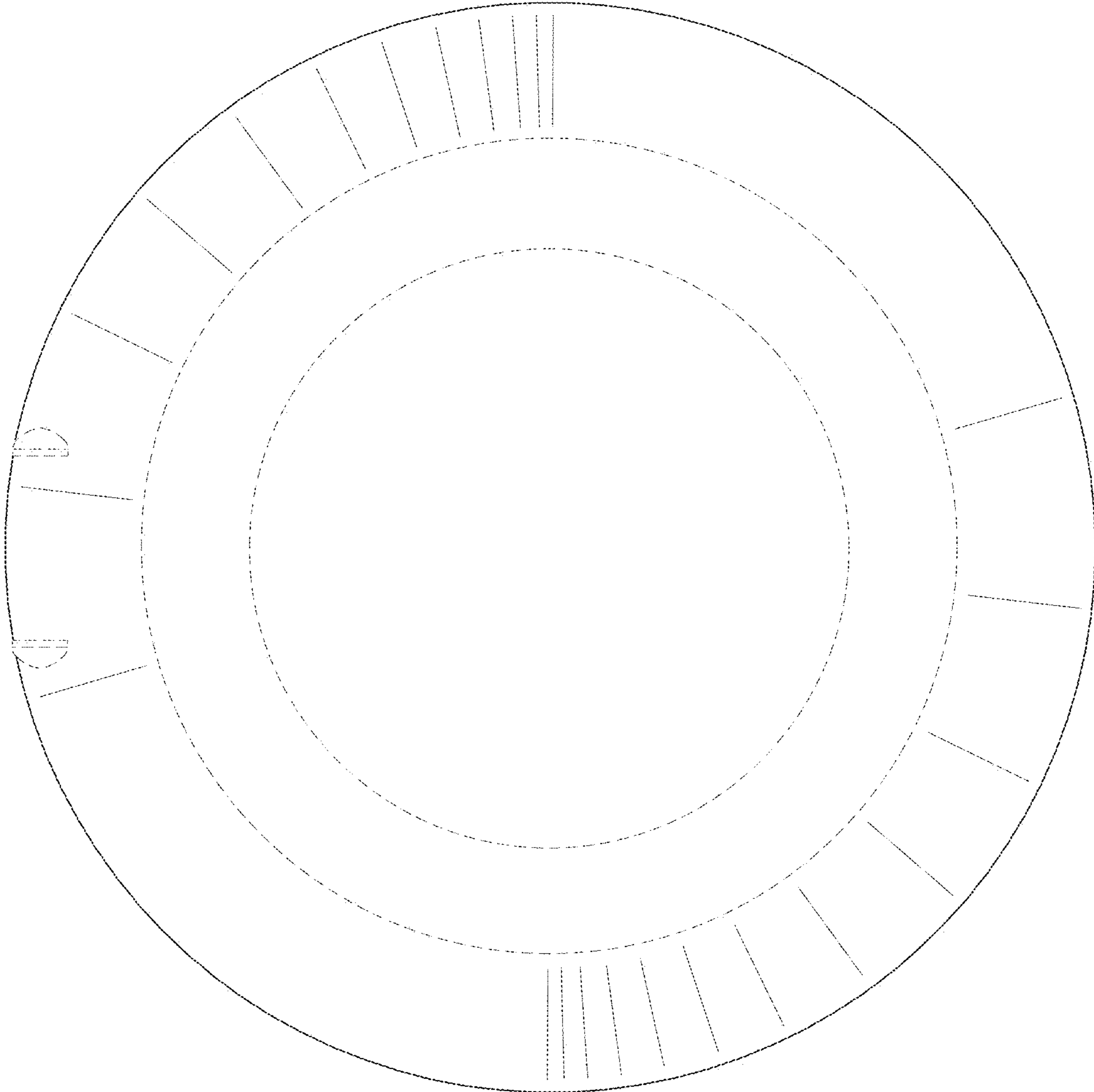


FIG. 3

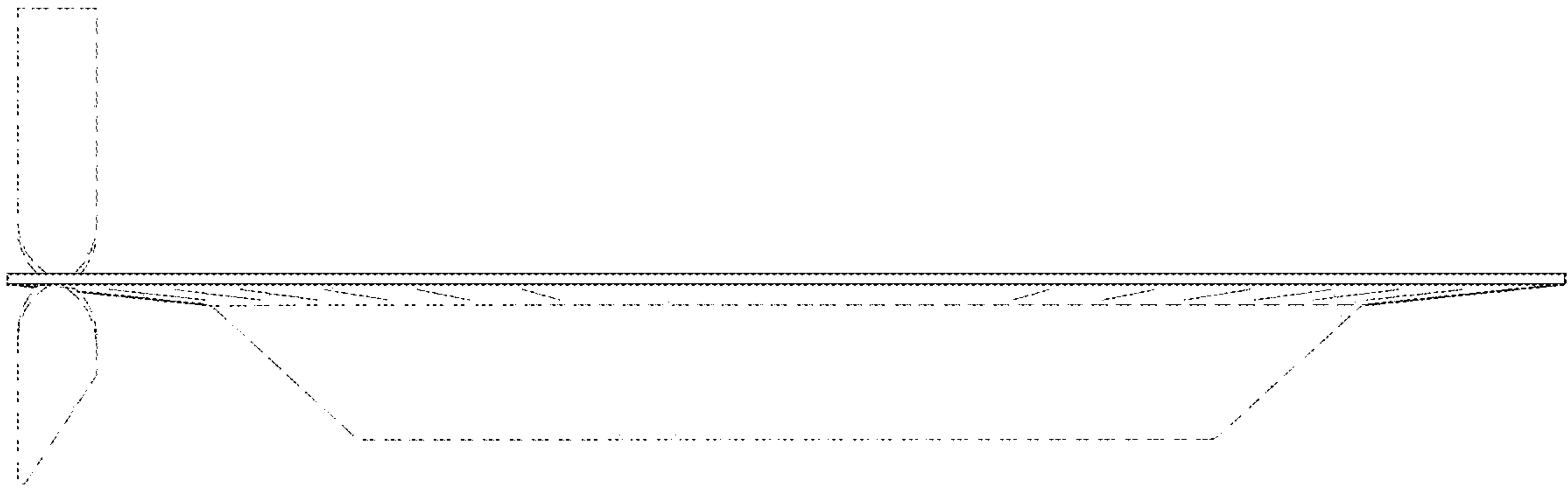


FIG. 4

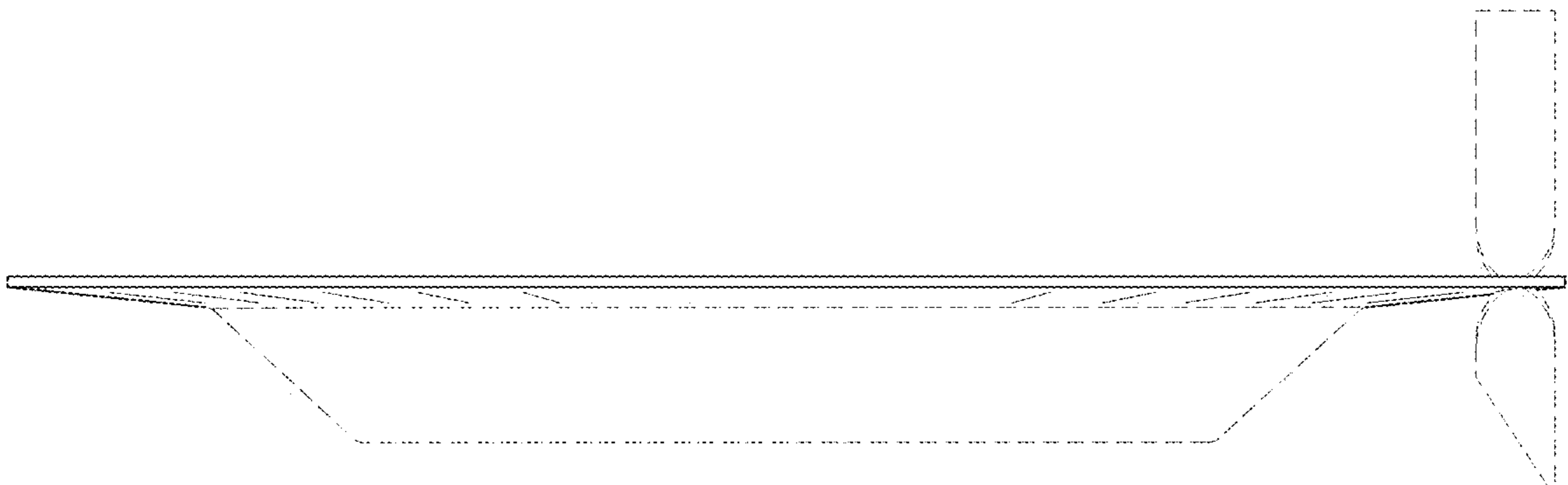


FIG. 5

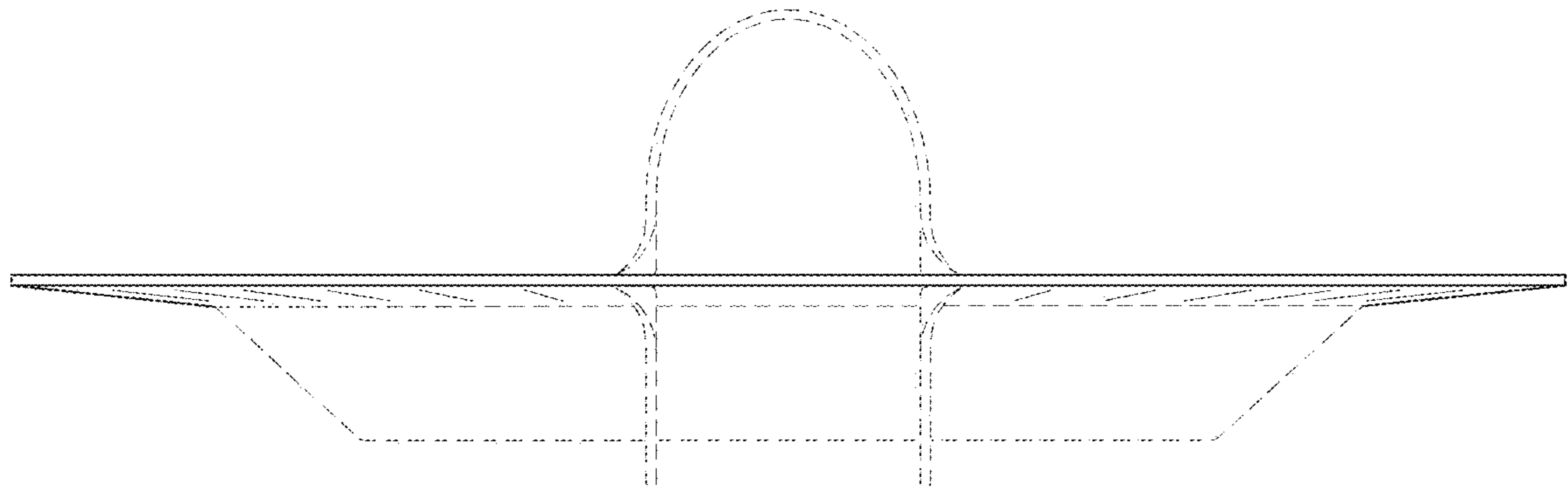


FIG. 6

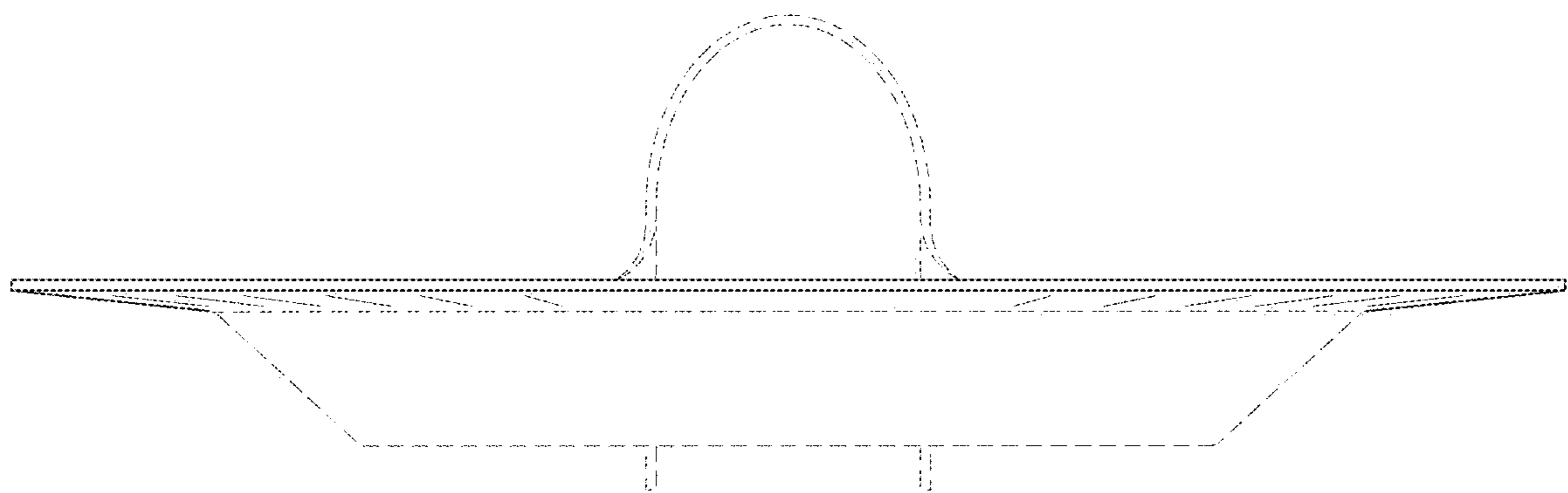


FIG. 7

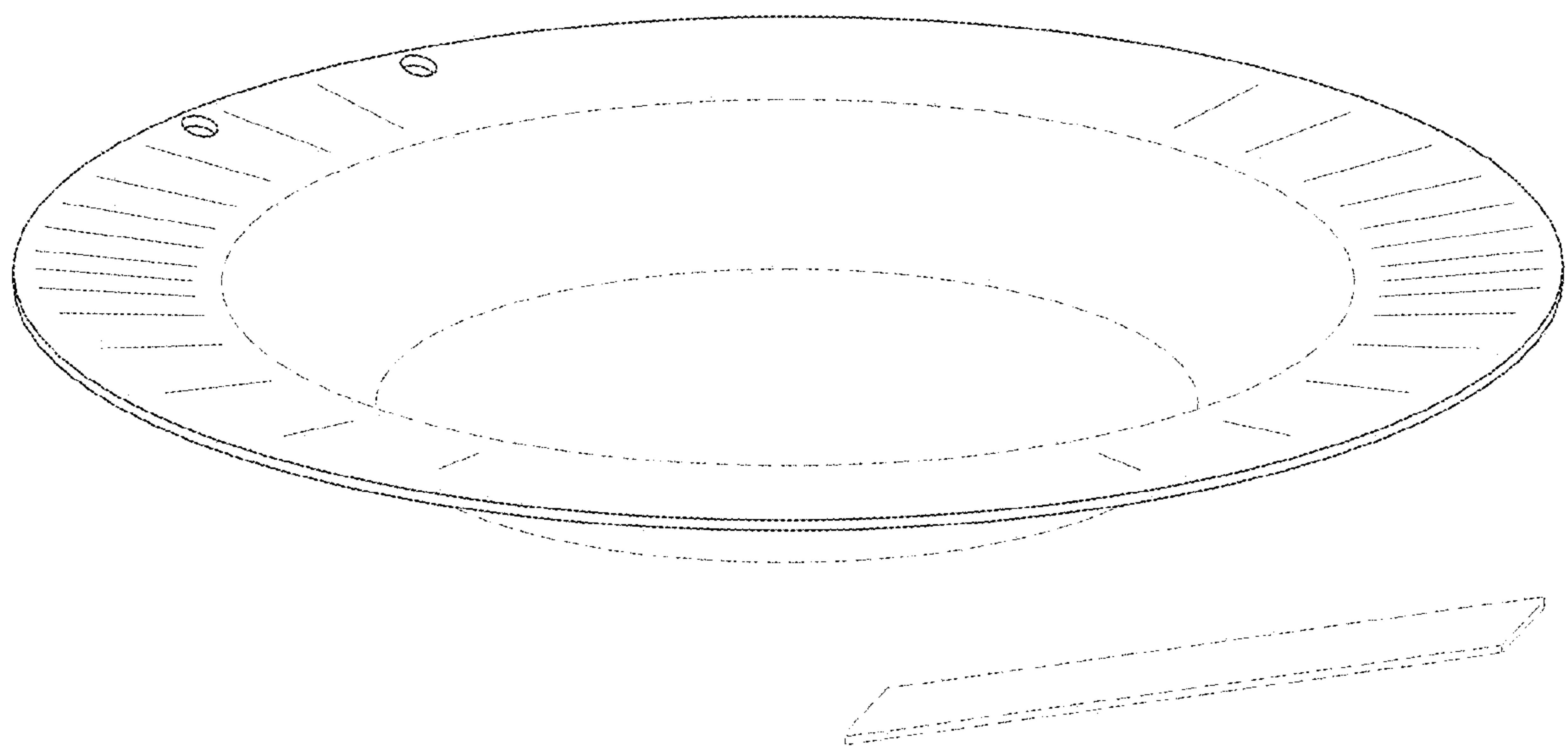


FIG. 8