



US00D958601S

(12) **United States Design Patent**  
**Godinger**

(10) **Patent No.:** **US D958,601 S**

(45) **Date of Patent:** **\*\* \*Jul. 26, 2022**

(54) **CIGAR GLASS**

(71) Applicant: **Godinger Silver Art Ltd.**, Ridgewood,  
NY (US)

(72) Inventor: **Arnold Godinger**, Brooklyn, NY (US)

(\*) Notice: This patent is subject to a terminal disclaimer.

(\*\*) Term: **15 Years**

(21) Appl. No.: **29/820,058**

(22) Filed: **Dec. 20, 2021**

**Related U.S. Application Data**

(63) Continuation of application No. 29/741,152, filed on Jul. 9, 2020, now Pat. No. Des. 938,782.

(51) **LOC (13) Cl.** ..... **07-01**

(52) **U.S. Cl.**

USPC ..... **D7/523; D7/507**

(58) **Field of Classification Search**

USPC ..... D7/507, 509, 510, 511, 523, 532, 533,  
D7/535, 536, 300.1, 608, 392.1, 396.2,  
D7/629, 531, 529; D9/435, 449, 454,  
D9/450, 763, 767, 535; 220/200, 592.16,  
220/592.17, 495.03; D3/202; D11/152,  
D11/153, 143, 144; D27/172, 174, 175,  
D27/183, 176, 187

CPC ..... A47J 43/27; A47J 41/02; A47J 41/0077;  
A47G 19/22; A47G 19/2288; A47G  
19/2205; A47G 19/2266; B65D 81/3869

See application file for complete search history.

(56) **References Cited**

**U.S. PATENT DOCUMENTS**

D183,940 S \* 11/1958 Giorgio Luxardo ..... D9/535  
3,198,377 A \* 8/1965 Buckley ..... A47J 45/06  
220/771  
4,967,918 A \* 11/1990 Long ..... A47G 19/2205  
215/385  
D331,173 S \* 11/1992 Durand ..... D7/507

D334,815 S \* 4/1993 Bunger ..... D21/501  
D340,385 S \* 10/1993 Durand ..... D7/509  
D483,200 S \* 12/2003 Udommahuntisuk ..... D6/407

(Continued)

**FOREIGN PATENT DOCUMENTS**

CN 303835636 \* 9/2016  
CN 304798609 \* 9/2018

(Continued)

**OTHER PUBLICATIONS**

The Whiskey Whisperer \_ Yanko Design [Online] URL: <https://www.yankodesign.com/2017/10/31/the-whiskey-whisperer/> (site visited: Aug. 12, 2021) (Year: 2017).\*

(Continued)

*Primary Examiner* — Jae Liang

*Assistant Examiner* — Tia Ruth-Renee Polidori

(74) *Attorney, Agent, or Firm* — Bochner IP, PLLC;  
Andrew D. Bochner

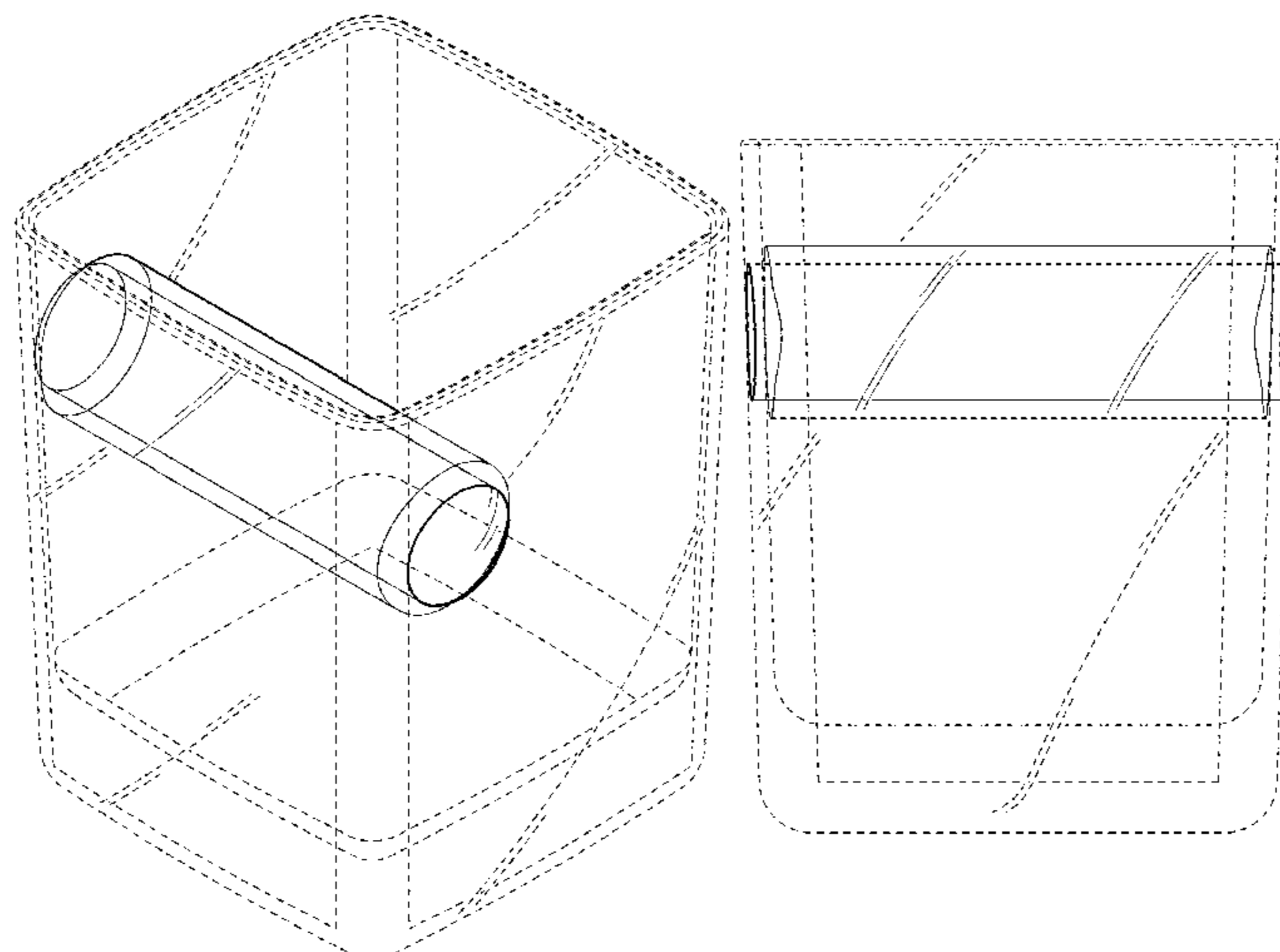
(57) **CLAIM**

I claim the ornamental design for a cigar glass, as shown and described.

**DESCRIPTION**

FIG. 1 is a top, front perspective view of a cigar glass;  
FIG. 2 is a front elevation view thereof;  
FIG. 3 is a rear elevation view thereof;  
FIG. 4 is a left-side elevation view thereof;  
FIG. 5 is a right-side elevation view thereof;  
FIG. 6 is a top plan view thereof;  
FIG. 7 is a bottom plan view thereof; and,  
FIG. 8 is an environmental perspective view of FIG. 1.  
In the drawings, the broken lines depict environment and define the bounds of the claim, and form no part of the claimed design.

**1 Claim, 4 Drawing Sheets**



(56)

References Cited

U.S. PATENT DOCUMENTS

D519,033 S \* 4/2006 Romano ..... D9/535  
 7,165,697 B1 \* 1/2007 Checkalski ..... A47G 19/2205  
 215/6  
 D543,450 S \* 5/2007 Watzig ..... D9/418  
 D631,700 S \* 2/2011 Flick ..... D7/523  
 D653,549 S \* 2/2012 Holtz ..... A24F 13/12  
 D9/535  
 D679,143 S \* 4/2013 Wegzyn ..... A47G 19/22  
 D7/536  
 D714,154 S \* 9/2014 Keeler ..... A47G 23/0241  
 D9/535  
 D736,454 S \* 8/2015 Audibert ..... D27/183  
 D753,441 S \* 4/2016 Varano ..... D7/507  
 9,315,293 B2 \* 4/2016 Vucich ..... A47G 19/2205  
 D758,917 S \* 6/2016 Smith ..... D11/155  
 D800,500 S \* 10/2017 Bricker ..... D7/509  
 D803,002 S \* 11/2017 Gretz ..... D7/536  
 D819,883 S \* 6/2018 Shotwell ..... D27/118  
 10,005,589 B2 \* 6/2018 Shakeri Clark .... B65D 43/0225  
 D846,185 S \* 4/2019 Shotwell ..... D27/118  
 D846,947 S \* 4/2019 Godinger ..... D7/507  
 10,349,768 B1 \* 7/2019 Jackson ..... B65D 77/0446  
 D875,474 S \* 2/2020 Deutsch ..... D7/529  
 D893,954 S \* 8/2020 Bailey, Jr. .... D7/523  
 D904,842 S \* 12/2020 Hsieh ..... D8/29  
 D918,657 S \* 5/2021 Ouyang ..... D7/507  
 11,033,131 B2 \* 6/2021 Garcia ..... A47G 23/0241  
 2003/0052018 A1 \* 3/2003 Wilson ..... A47G 19/22  
 206/217  
 2017/0000186 A1 \* 1/2017 Russell ..... A24F 13/12  
 2018/0105090 A1 \* 4/2018 Allen ..... B60N 3/083  
 2019/0117006 A1 \* 4/2019 Cerasani ..... A45F 3/18

FOREIGN PATENT DOCUMENTS

CN 304944010 \* 12/2018  
 CN 304944049 \* 12/2018  
 CN 305489692 \* 12/2019  
 CN 305489693 \* 12/2019  
 CN 305489694 \* 12/2019  
 CN 306429112 \* 4/2021  
 CN 306500762 \* 4/2021

CN 306625983 \* 6/2021  
 EM 003011642-0001 \* 7/2016  
 EM 007786835-0001 \* 11/2020  
 GB 9007786835-0001 \* 4/2020

OTHER PUBLICATIONS

Godinger Cigar Whiskey Glass [Online] URL: <https://www.amazon.com/Godinger-Cigar-Glass-Fashioned-Indented/dp/B07KX64VT8> (site visited: Aug. 12, 2021) (Year: 2018).\*

Kollea Cigar Whiskey Glass 15 Oz with Cigar Rest Holder [Online] URL: [https://www.amazon.com/Kollea-Cigar-Glass-Built-Thanksgiving/dp/B07VN51X5R/ref=/ref=as\\_li\\_ss\\_il?ie=UTF8&linkCode=li3&tag=cigar44-20&linkId=4e7b46bd0ba2c3ecd6de23558356ee2e&th=1](https://www.amazon.com/Kollea-Cigar-Glass-Built-Thanksgiving/dp/B07VN51X5R/ref=/ref=as_li_ss_il?ie=UTF8&linkCode=li3&tag=cigar44-20&linkId=4e7b46bd0ba2c3ecd6de23558356ee2e&th=1) (site visited: Aug. 12, 2021) (Year: 2019).\*

Personalized Groomsmen Bullet Whiskey Glasses \_ Lowball Glass [Online] URL: <https://www.groomsshop.com/products/bullet-lowball-whiskey-glass> (site visited: Aug. 12, 2021) (Year: 2019).\*

Ruckus Creations Cigar Whiskey Glass with Cigar Rest Holder [Online] URL: [https://www.amazon.com/Fashioned-Whiskey-Tumbler-Mounted-Holder/dp/B07V265MHS/ref=/ref=as\\_li\\_ss\\_il?ie=UTF8&linkCode=li3&tag=cigar44-20&linkId=4c48eadfe3bb3c1a04e43d10517e7a57](https://www.amazon.com/Fashioned-Whiskey-Tumbler-Mounted-Holder/dp/B07V265MHS/ref=/ref=as_li_ss_il?ie=UTF8&linkCode=li3&tag=cigar44-20&linkId=4c48eadfe3bb3c1a04e43d10517e7a57) (site visited: Aug. 12, 2021) (Year: 2019).\*

The Cocktail Box Co. Cigar Glass Set [Online] URL: [https://www.amazon.com/dp/B07QQRDNB9/ref=as\\_li\\_ss\\_tl?SubscriptionId=AKIAJO7E5OLQ67NVPFZA&ascsubtag=401073340-2-1586796889.1628779381&tag=shopperz\\_origin3-20](https://www.amazon.com/dp/B07QQRDNB9/ref=as_li_ss_tl?SubscriptionId=AKIAJO7E5OLQ67NVPFZA&ascsubtag=401073340-2-1586796889.1628779381&tag=shopperz_origin3-20) (site visited: Aug. 12, 2021) (Year: 2019).\*

Donut Mug—Official Bethesda Gear Store [Online] URL: <https://gear.bethesda.net/products/slocums-joe-donut-mug> (site visited: Aug. 12, 2021) (Year: 2020).\*

Godinger Rocks Glass with Cigar Ashtray [Online] URL: <https://www.kegworks.com/godinger-whiskey-cigar-gift-set-includes-rocks-glass-with-cigar-ashtray/#QA> (site visited: Aug. 12, 2021) (Year: 2020).\*

Lighten Life Cigar Glass-Whiskey Glass with Cigar Holder [Online] URL: [https://www.amazon.com/dp/B08GR2R7WK/ref=as\\_li\\_ss\\_tl?SubscriptionId=AKIAJO7E5OLQ67NVPFZA&ascsubtag=499802291-2-1586796889.1628779381&tag=shopperz\\_origin3-20](https://www.amazon.com/dp/B08GR2R7WK/ref=as_li_ss_tl?SubscriptionId=AKIAJO7E5OLQ67NVPFZA&ascsubtag=499802291-2-1586796889.1628779381&tag=shopperz_origin3-20) (site visited: Aug. 12, 2021) (Year: 2020).\*

\* cited by examiner

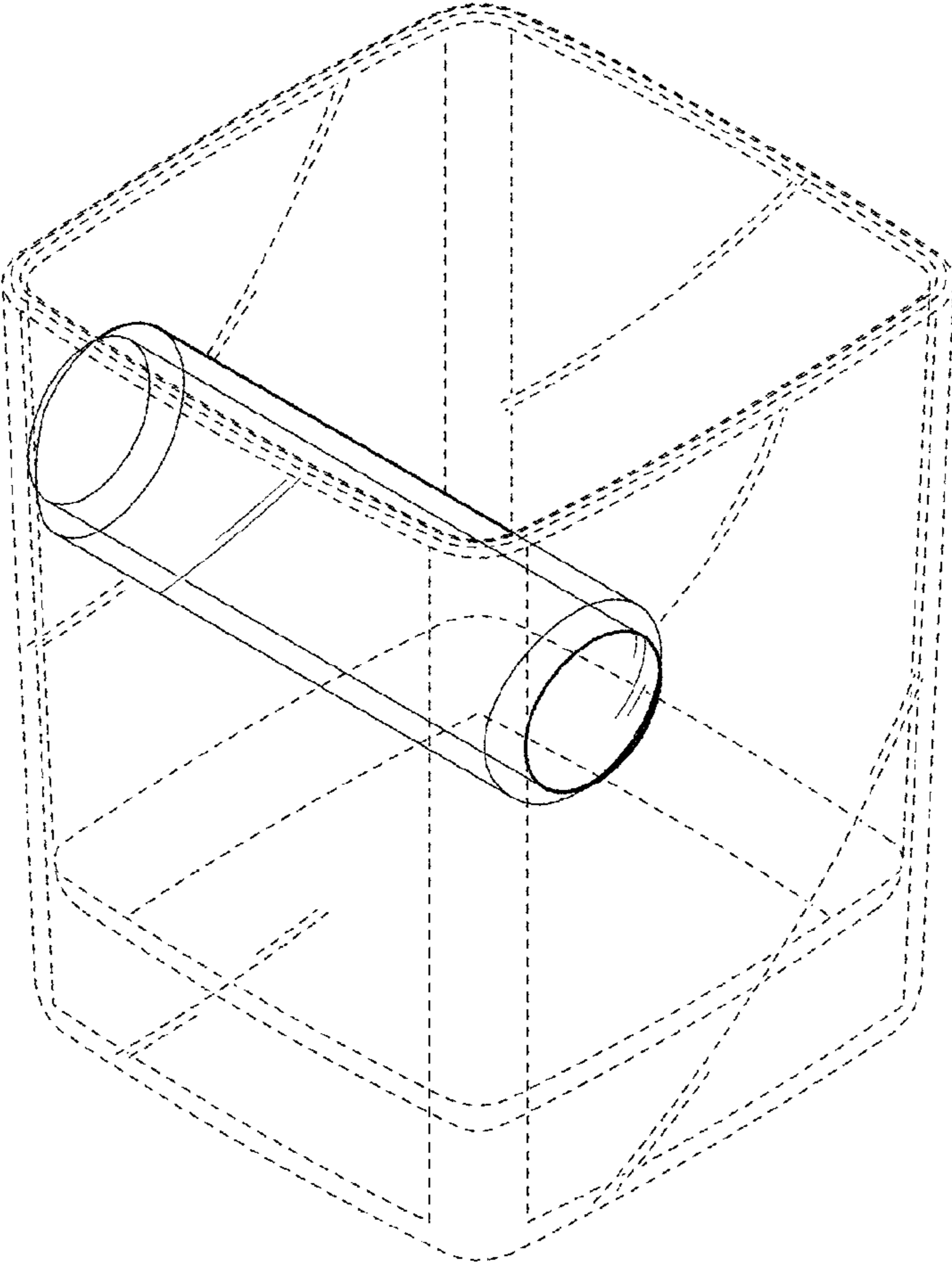


FIG. 1

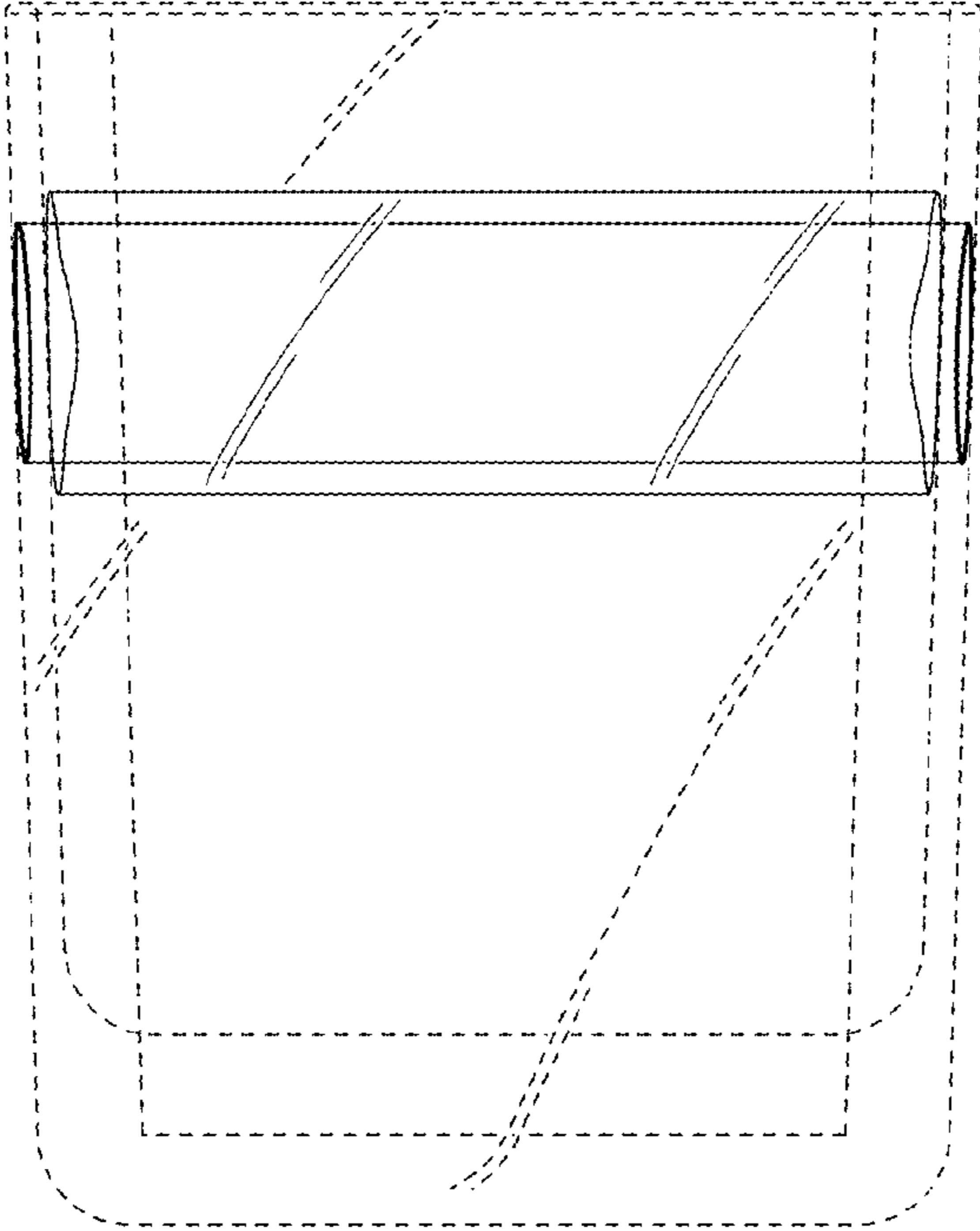


FIG. 2

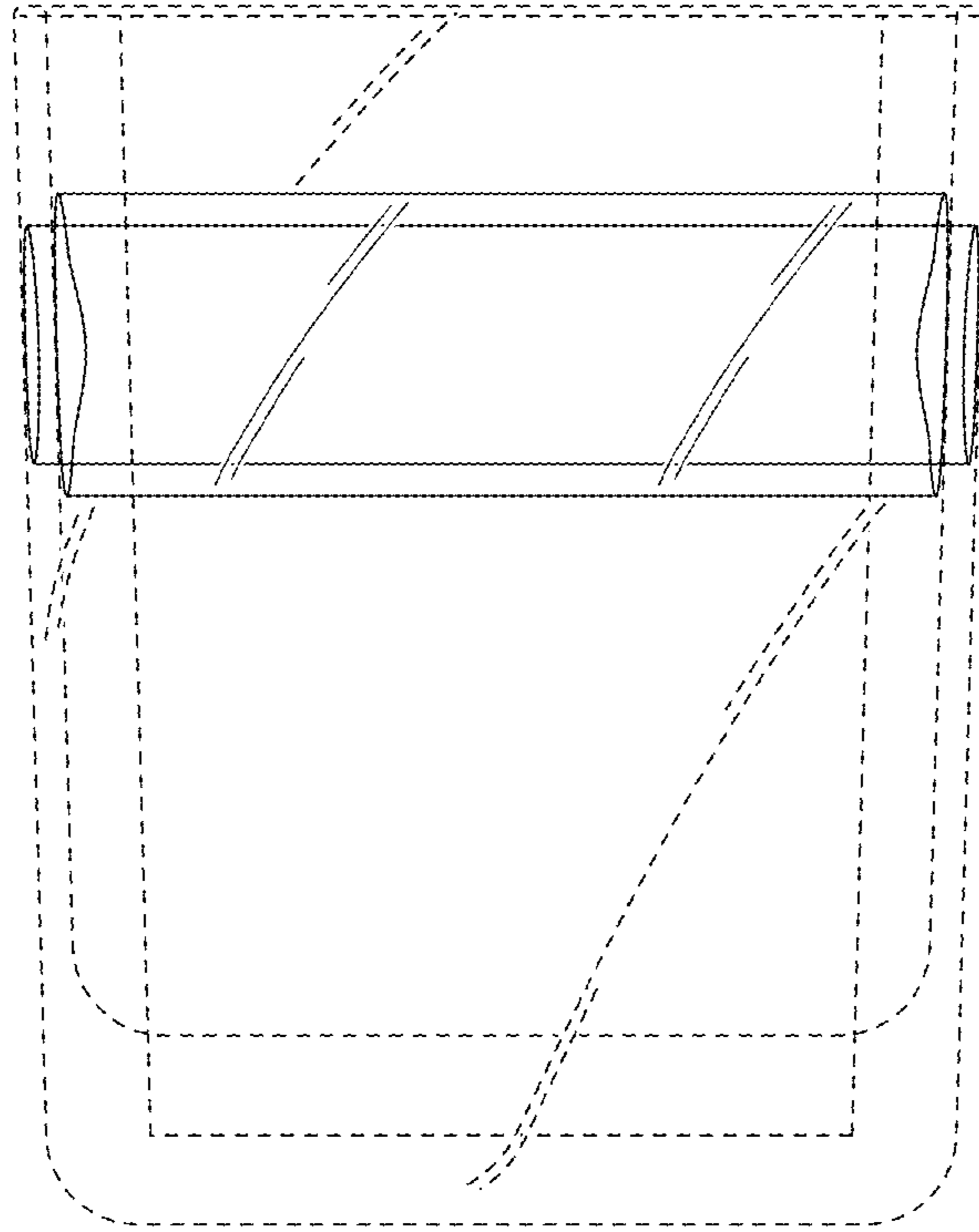


FIG. 3

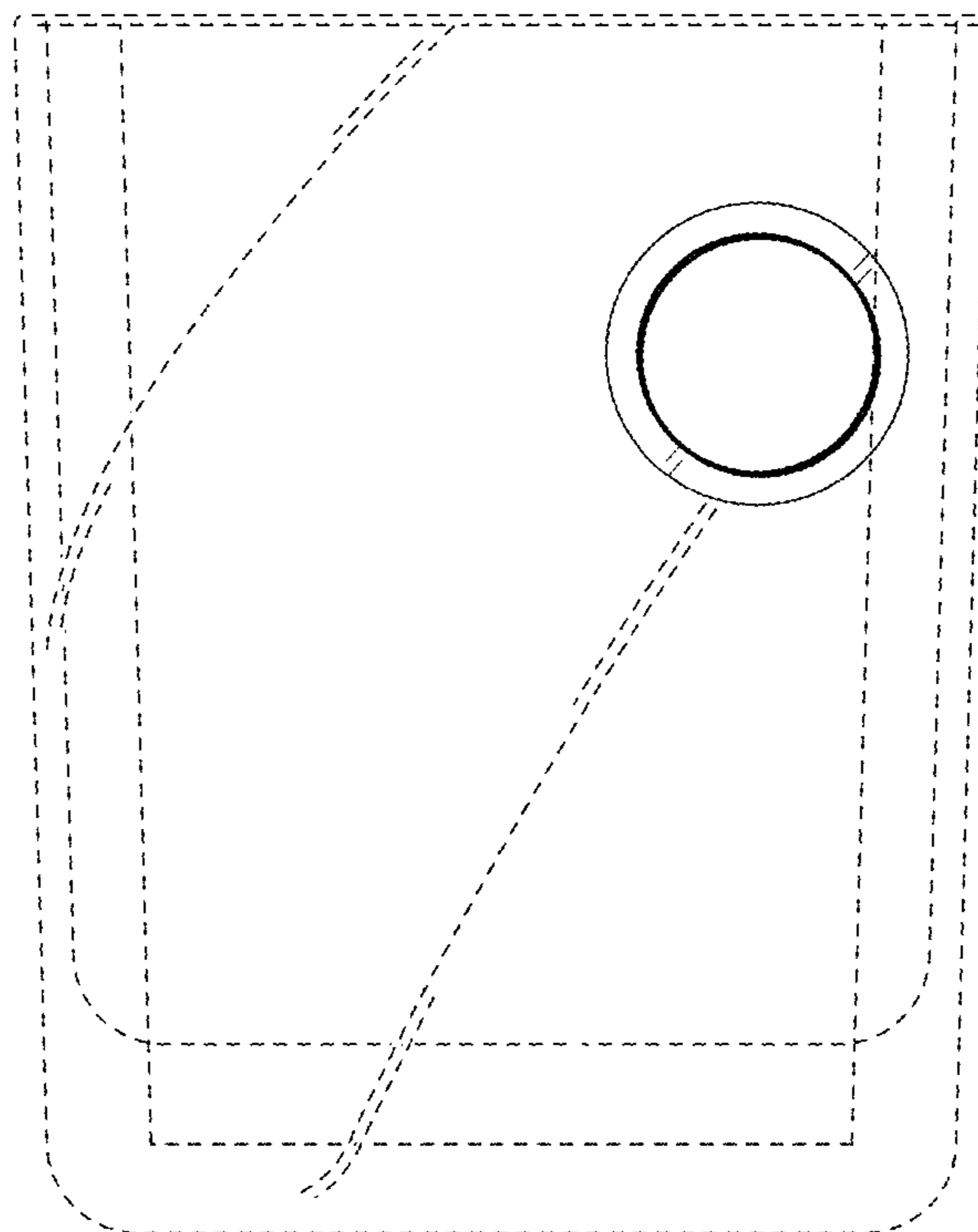


FIG. 4

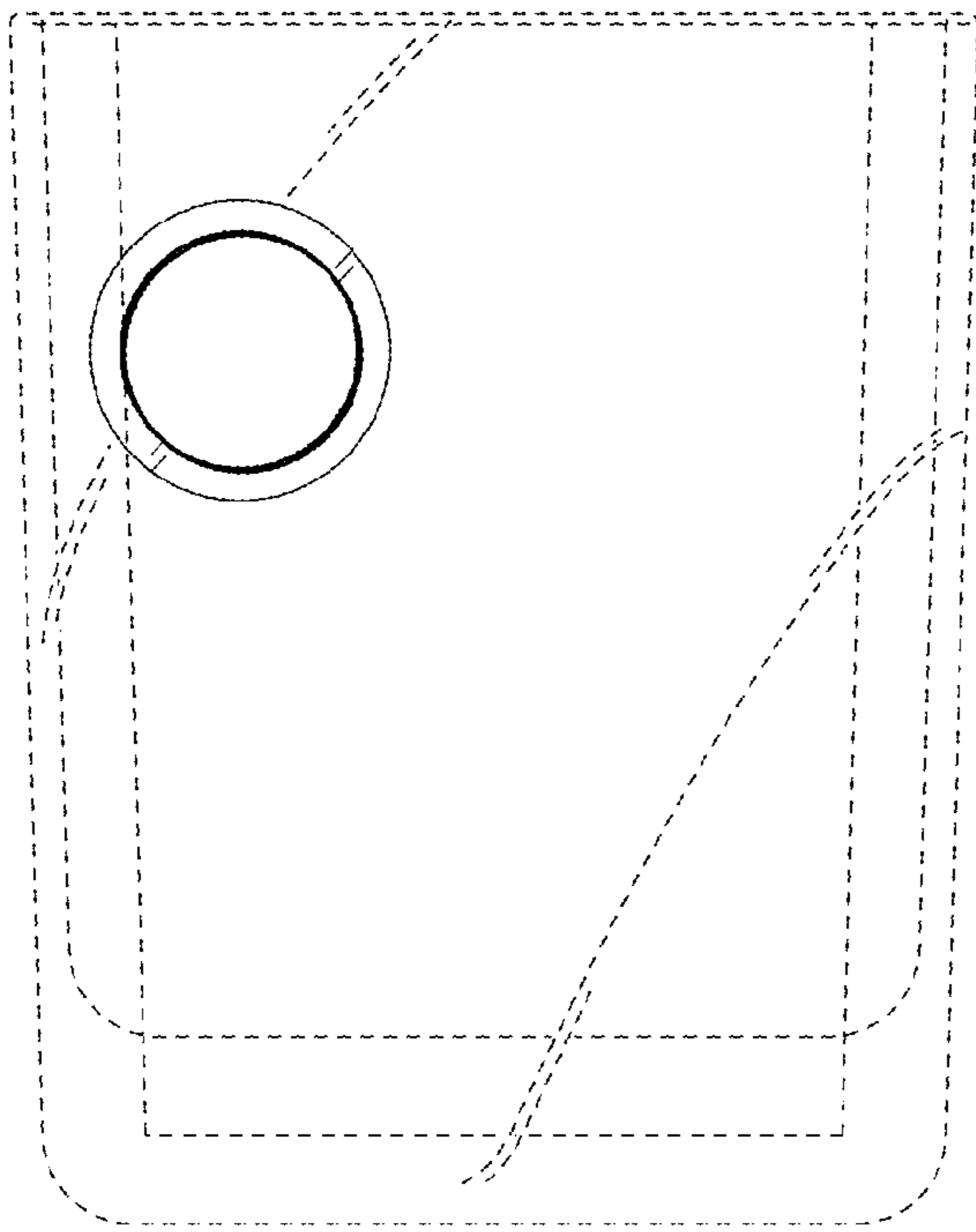


FIG. 5

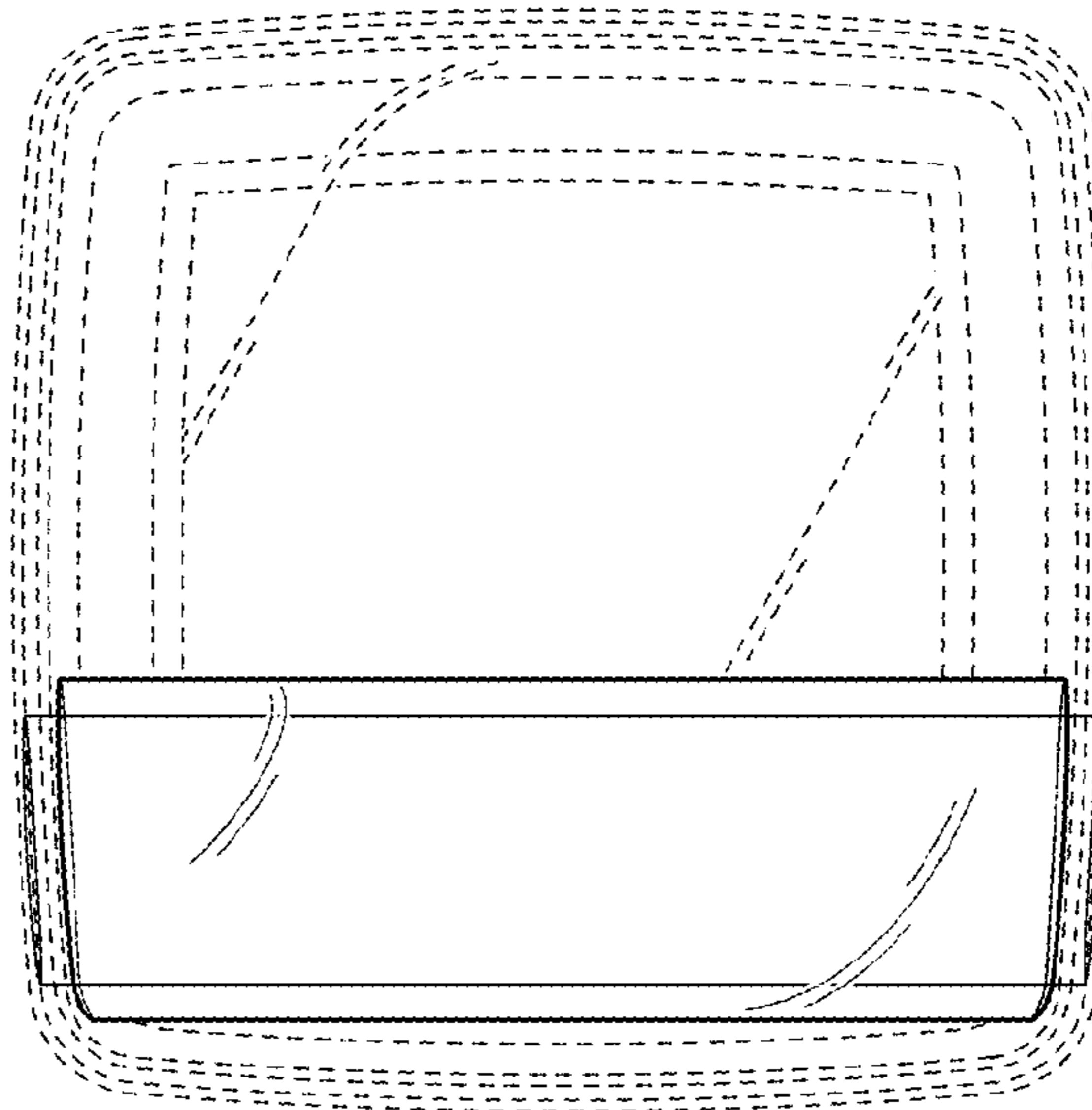


FIG. 6

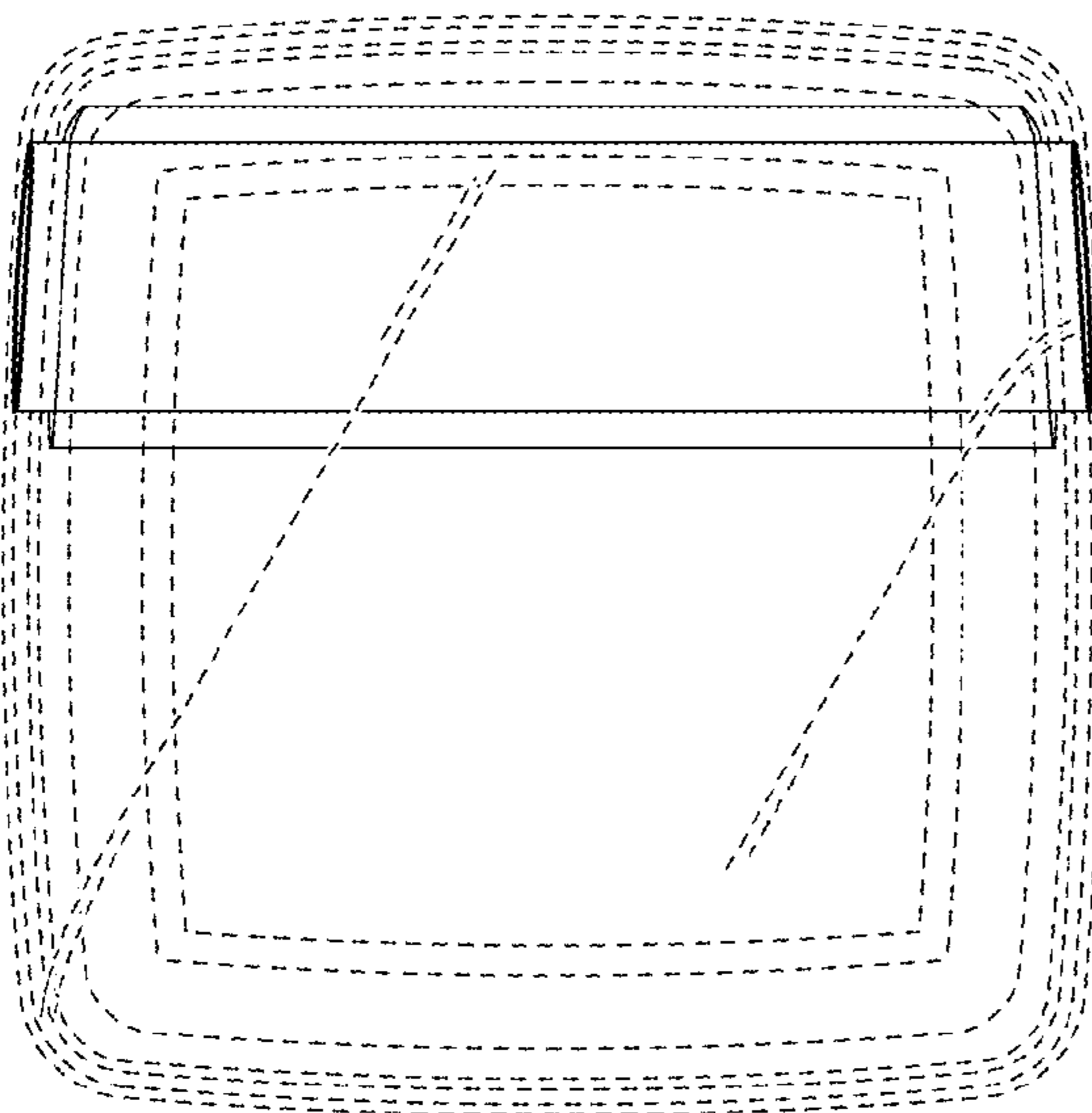


FIG. 7

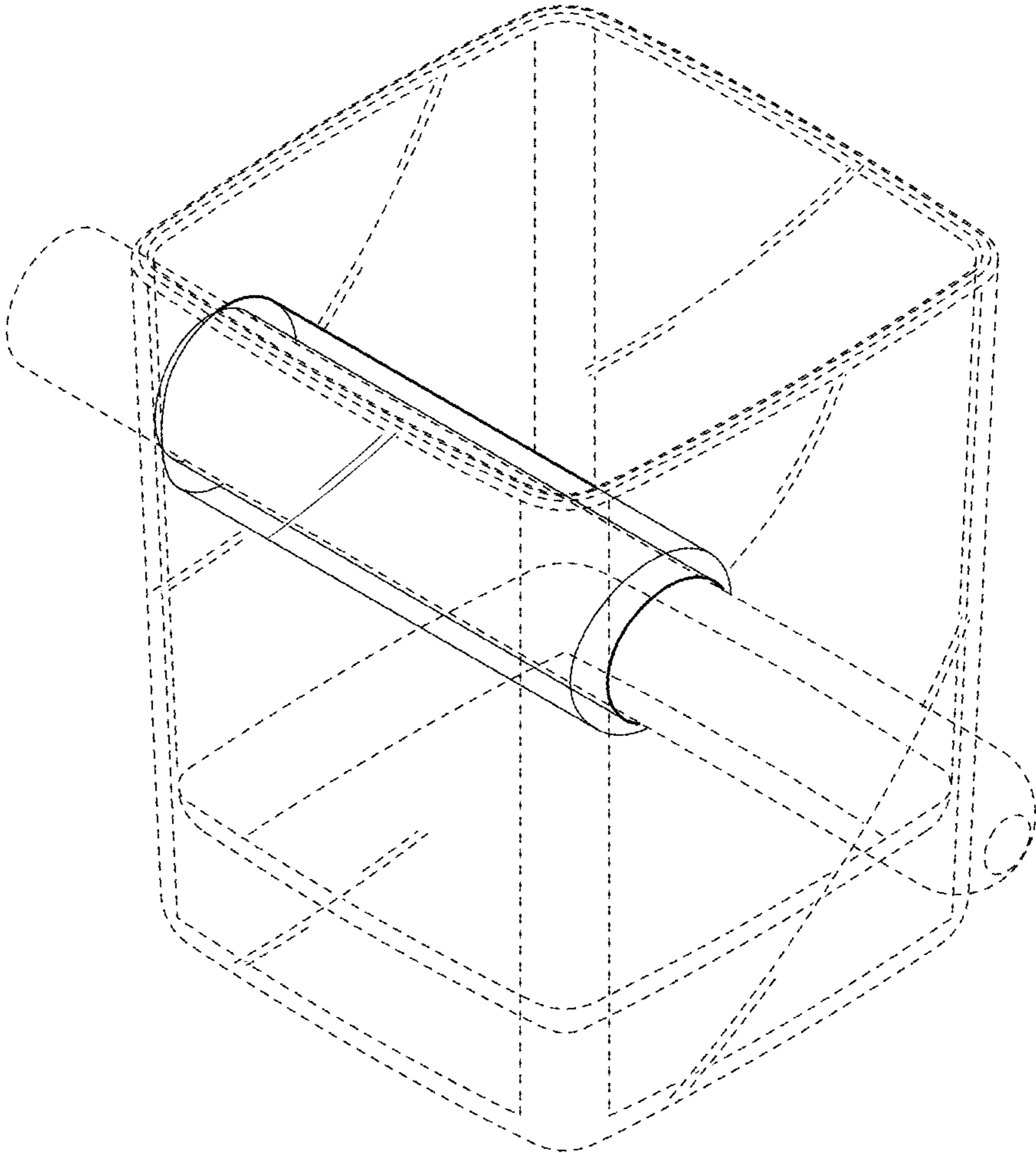


FIG. 8