



US00D958600S

(12) **United States Design Patent**
Ruiz

(10) **Patent No.:** **US D958,600 S**

(45) **Date of Patent:** **** Jul. 26, 2022**

(54) **DUAL SIDED BOTTLE**

(71) Applicant: **Felipe Bocca Ruiz**, Miami, FL (US)

(72) Inventor: **Felipe Bocca Ruiz**, Miami, FL (US)

(**) Term: **15 Years**

(21) Appl. No.: **29/695,704**

(22) Filed: **Jun. 21, 2019**

(51) **LOC (13) Cl.** **07-01**

(52) **U.S. Cl.**

USPC **D7/513**; D7/532

(58) **Field of Classification Search**

USPC D7/507, 509, 510, 511, 513, 529, 531,
D7/532, 523, 533, 534, 535, 536, 392.1,
D7/296.1, 396.2, 300.1, 608, 300, 320,
D7/624.1, 624.2; D3/202; D9/501, 502,
D9/503, 504, 530, 529, 522, 554, 567,
D9/571, 569, 449, 516, 523, 524, 543,
D9/565, 575

CPC A47G 19/22; A47G 19/2288; A47G
19/2205; A47G 19/2211; A47J 41/0077;
A45F 3/16

See application file for complete search history.

(56) **References Cited**

U.S. PATENT DOCUMENTS

D317,256 S * 6/1991 Samuels D9/503
D412,085 S * 7/1999 Roush D7/396.2

D465,151 S * 11/2002 Mixon D9/668
D489,001 S * 4/2004 Martin D9/503
D519,839 S * 5/2006 Abadinsky D9/502
D525,129 S * 7/2006 Hutter D9/502
D548,087 S * 8/2007 Wolf D9/516
D609,968 S * 2/2010 Stern D7/510
D720,225 S * 12/2014 Gieske D9/503
D799,980 S * 10/2017 Michan Chavez D9/668
D820,109 S * 6/2018 Michan Chavez D9/668
D885,920 S * 6/2020 Gruda D9/503

* cited by examiner

Primary Examiner — Jae Liang

(74) *Attorney, Agent, or Firm* — Ruben Alcoba, Esq.

(57) **CLAIM**

The ornamental design for a dual sided bottle, as shown and described.

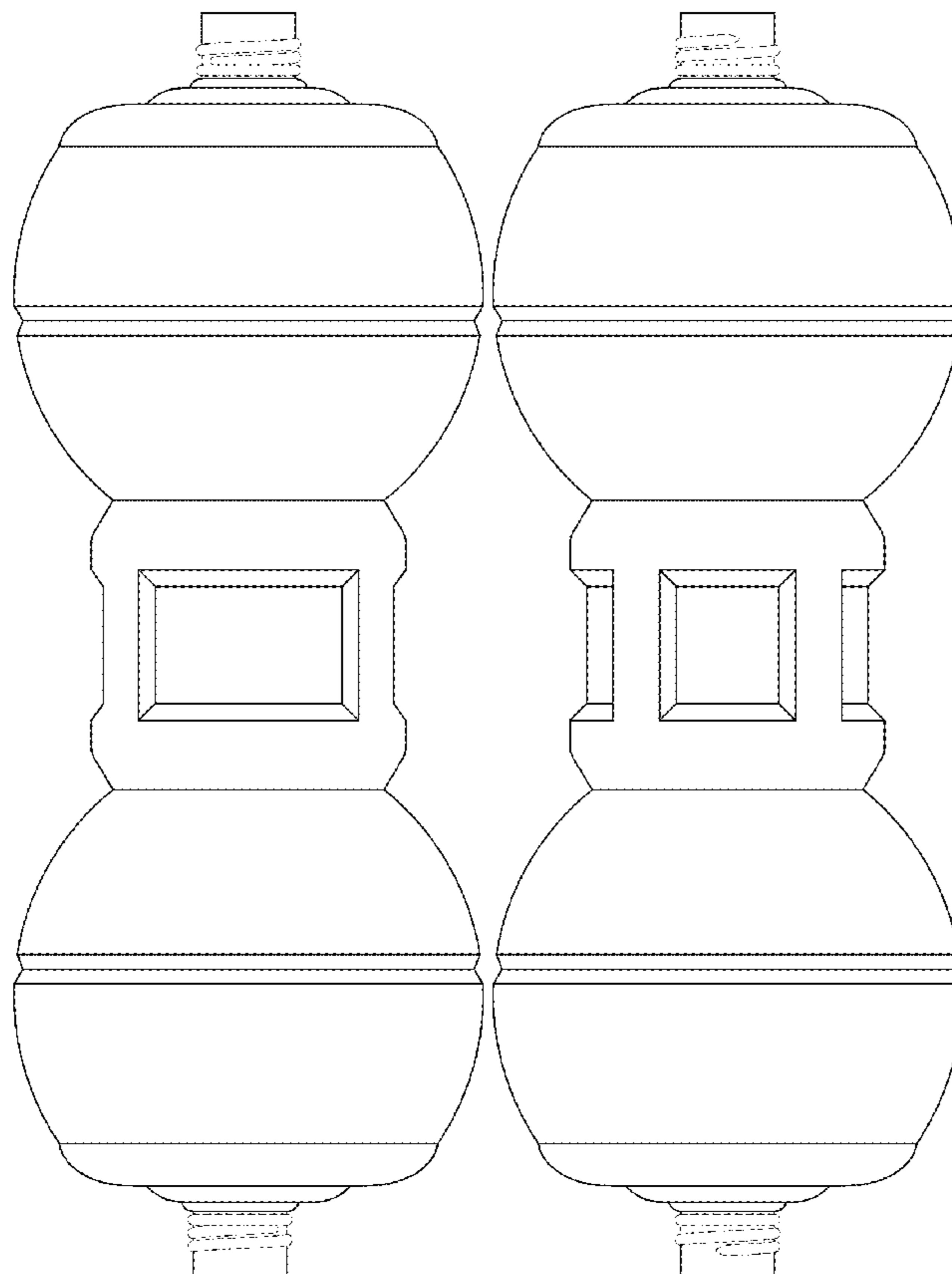
DESCRIPTION

FIG. 1 is a first side view of a dual sided bottle, wherein the opposite side view is a mirror image of the first side;

FIG. 2 is a second side view of the dual sided bottle wherein the opposite side view is a mirror image of the second side; and,

FIG. 3 is an enlarged top plan view of the dual sided bottle, wherein the opposite side view is a mirror image of the plan view, the broken lines in the drawings depict portions of the dual sided bottle that form no part of the claimed design.

1 Claim, 2 Drawing Sheets



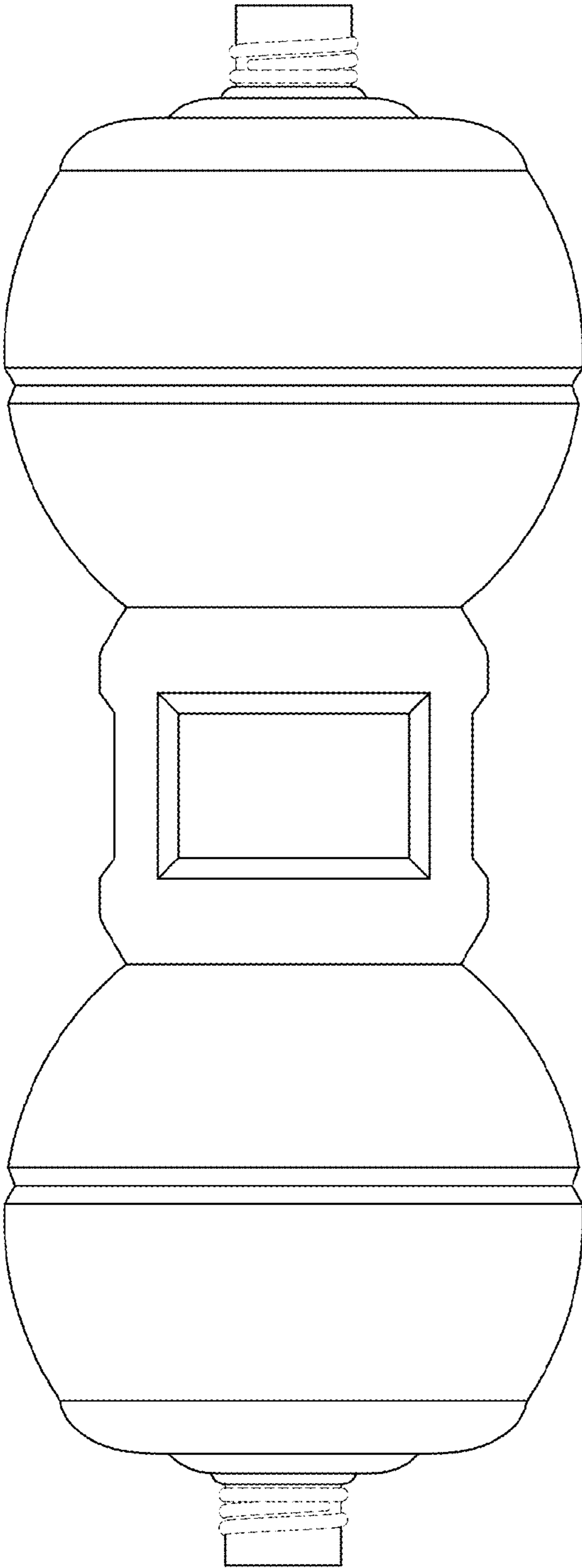


FIG. 1

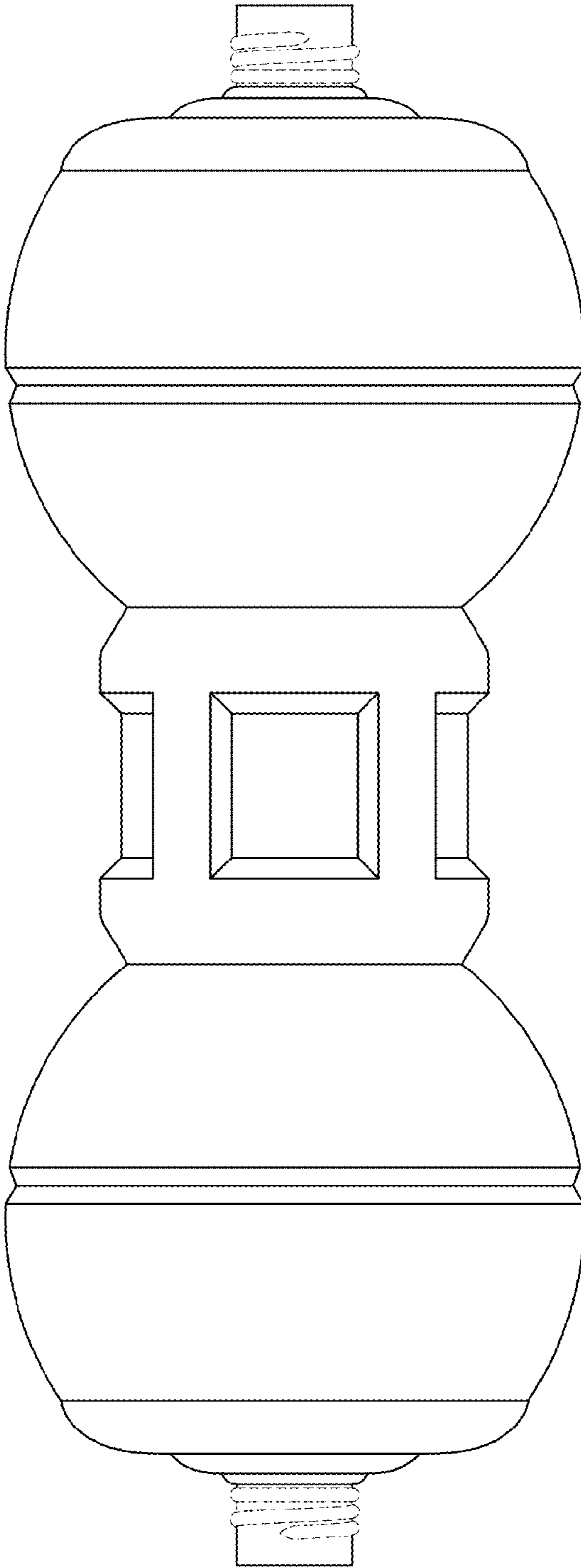


FIG. 2

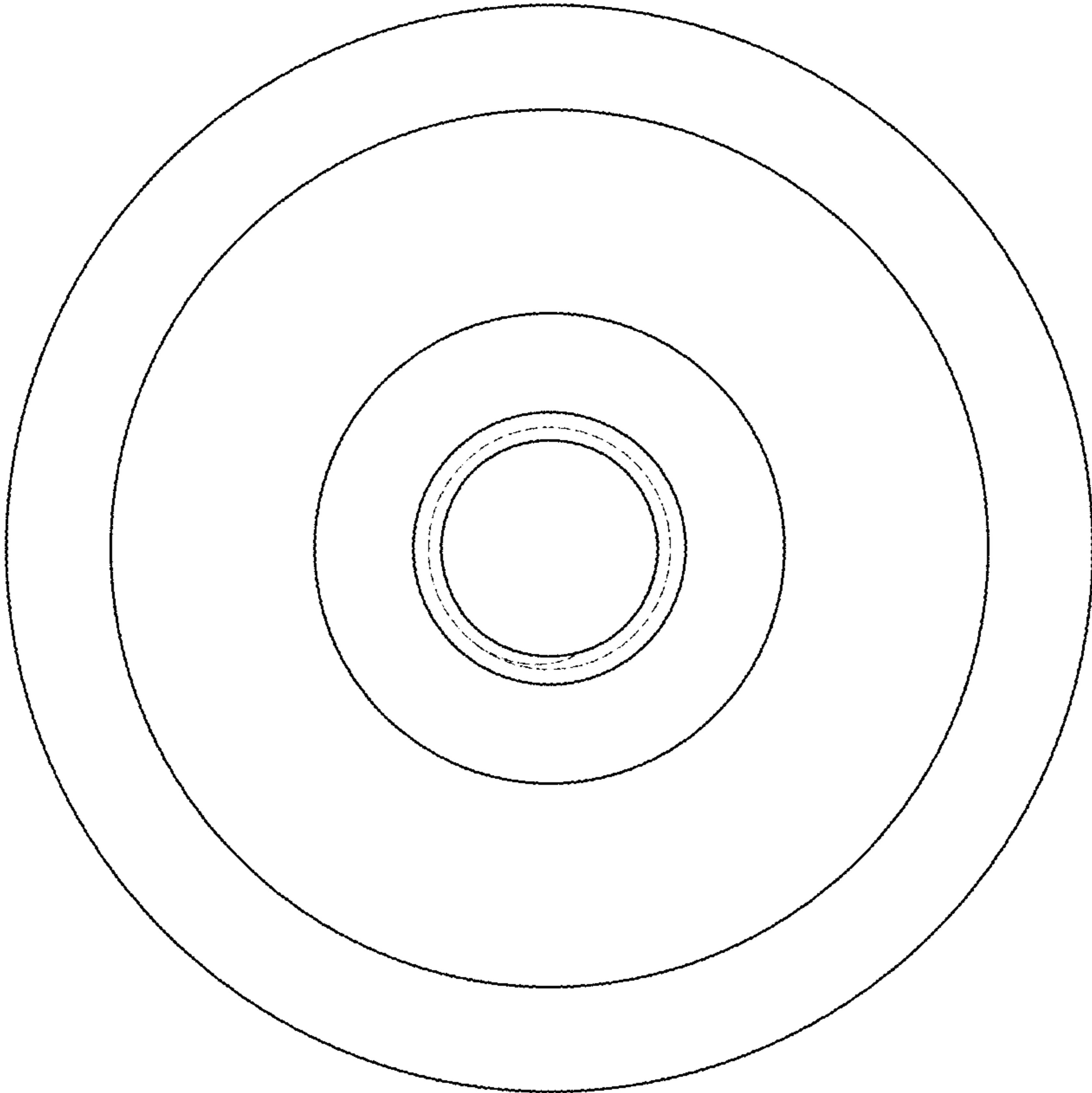


FIG. 3