



US00D958599S

(12) **United States Design Patent** (10) **Patent No.:** **US D958,599 S**
Jacob (45) **Date of Patent:** **** Jul. 26, 2022**

- (54) **BEVERAGE CONTAINER WITH LID**
- (71) Applicant: **BruMate, Inc.**, Dover, DE (US)
- (72) Inventor: **Dylan M. Jacob**, Denver, CO (US)
- (73) Assignee: **BruMate, Inc.**, Denver, CO (US)
- (**) Term: **15 Years**
- (21) Appl. No.: **29/766,609**
- (22) Filed: **Jan. 15, 2021**
- (51) **LOC (13) Cl.** **07-01**
- (52) **U.S. Cl.**
USPC **D7/510**
- (58) **Field of Classification Search**
USPC D7/300, 313, 316, 507, 509, 510, 511,
D7/523, 529, 531, 532, 533, 536, 602,
D7/605, 608, 614, 619.1, 622; D9/443,
D9/449, 450, 500, 502, 505, 520, 528,
D9/531, 537, 538, 540, 549, 560, 570
CPC A45F 2200/0583; A47G 19/2205; A47G
19/2272; A47G 19/2288; A47G 19/23;
A47G 23/16; A47J 41/00; A47J 43/00;
A47J 47/00; A47J 47/02; A47J 47/08;
B65D 1/265; B65D 3/22; B65D 81/3865;
B65D 81/3453
See application file for complete search history.

- D839,049 S * 1/2019 Seiders D7/532
- D839,676 S 2/2019 Seiders et al.
- D839,677 S 2/2019 Seiders et al.
- D842,038 S * 3/2019 Seiders D7/532
- D843,178 S * 3/2019 Furneaux D7/603
- D850,857 S 6/2019 Bruner et al.
- D886,528 S * 6/2020 Omdahl, II D7/511
- D888,505 S 6/2020 Seiders et al.
- D891,185 S 7/2020 Cottam
- D899,856 S * 10/2020 Jacobsen D7/511
- D901,975 S * 11/2020 Jacobsen D7/511
- D901,988 S 11/2020 Jacobsen
- D904,827 S * 12/2020 Stanton D7/532
- D914,455 S * 3/2021 Haskins D7/510
- D920,048 S 5/2021 Wang
- D923,428 S 6/2021 Haas

(Continued)

OTHER PUBLICATIONS

Notice of Allowance dated Mar. 21, 2022 in U.S. Appl. No. 29/766,608, 7 pages.

Primary Examiner — Joseph Kukella
Assistant Examiner — Darryl J Dardenne
(74) *Attorney, Agent, or Firm* — Shook, Hardy & Bacon L.L.P.

(57) **CLAIM**

The ornamental design for a beverage container with lid, as shown and described.

(56) **References Cited**

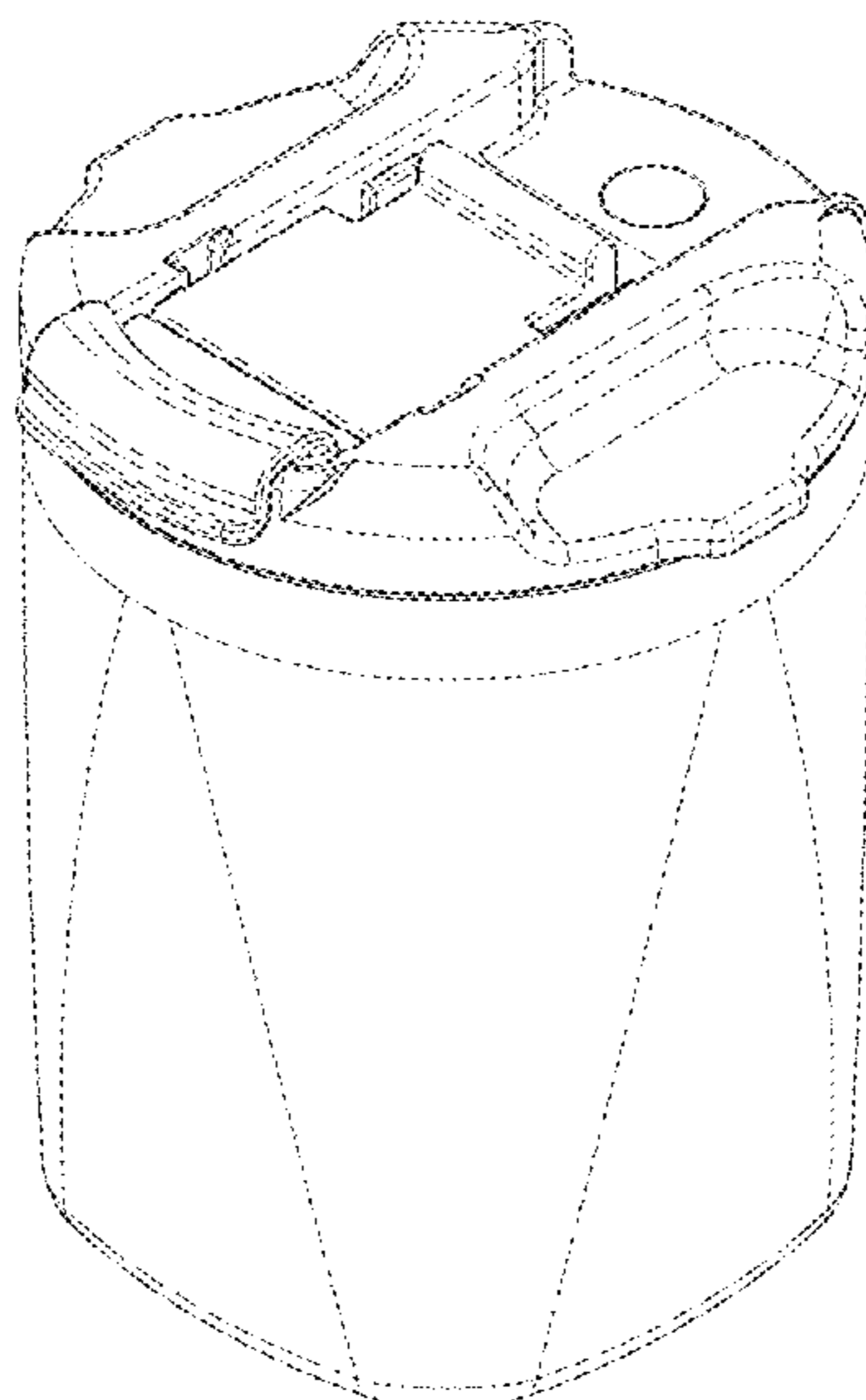
U.S. PATENT DOCUMENTS

- D424,377 S 5/2000 Wyche
- D424,877 S * 5/2000 Cayouette D7/509
- D476,857 S 7/2003 Holsinger
- D529,340 S 10/2006 Laib et al.
- D727,688 S 4/2015 Hewitt et al.
- D779,285 S 2/2017 Seiders et al.
- D805,352 S * 12/2017 Thuma D34/1
- D817,718 S 5/2018 Furneaux et al.
- D823,062 S * 7/2018 Goodwin D7/511
- D836,397 S 12/2018 Silsby

DESCRIPTION

FIG. 1 is a front view of a beverage container with lid showing our new design;
FIG. 2 is a rear view thereof;
FIG. 3 is a left side view thereof;
FIG. 4 is a right side view thereof;
FIG. 5 is a top view thereof;
FIG. 6 is a bottom view thereof; and,
FIG. 7 is a perspective view thereof.

1 Claim, 7 Drawing Sheets



(56)

References Cited

U.S. PATENT DOCUMENTS

D925,986	S	*	7/2021	Kaiser	D7/523
D929,185	S	*	8/2021	Omdahl, II	D7/511
D930,435	S	*	9/2021	Bruner	D7/509
D931,051	S	*	9/2021	Ames	D7/510
D939,278	S	*	12/2021	Vierck	D7/510
D939,279	S	*	12/2021	Vierck	D7/510
D941,091	S	*	1/2022	Delgado Carmona	D7/510

* cited by examiner

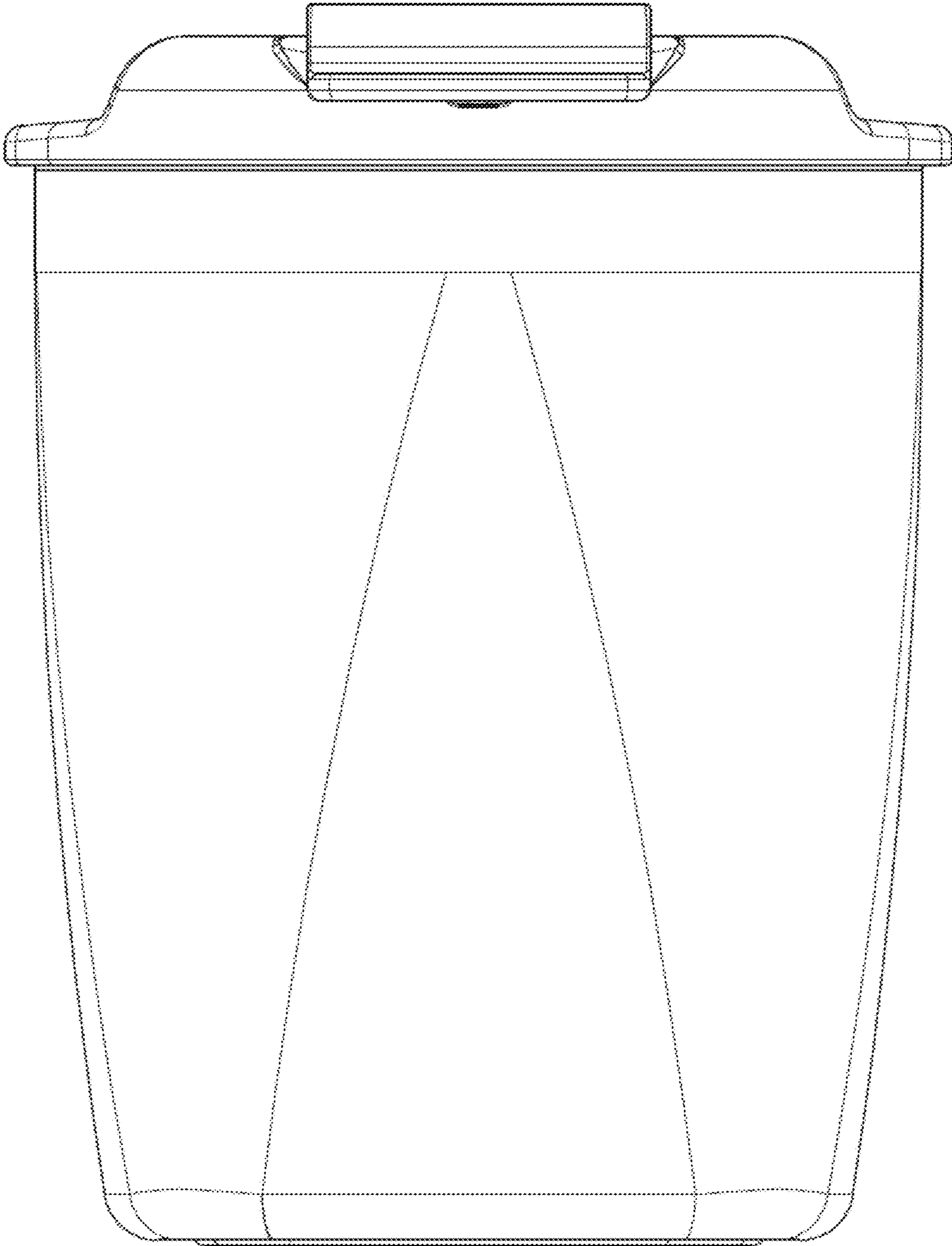


FIG. 1

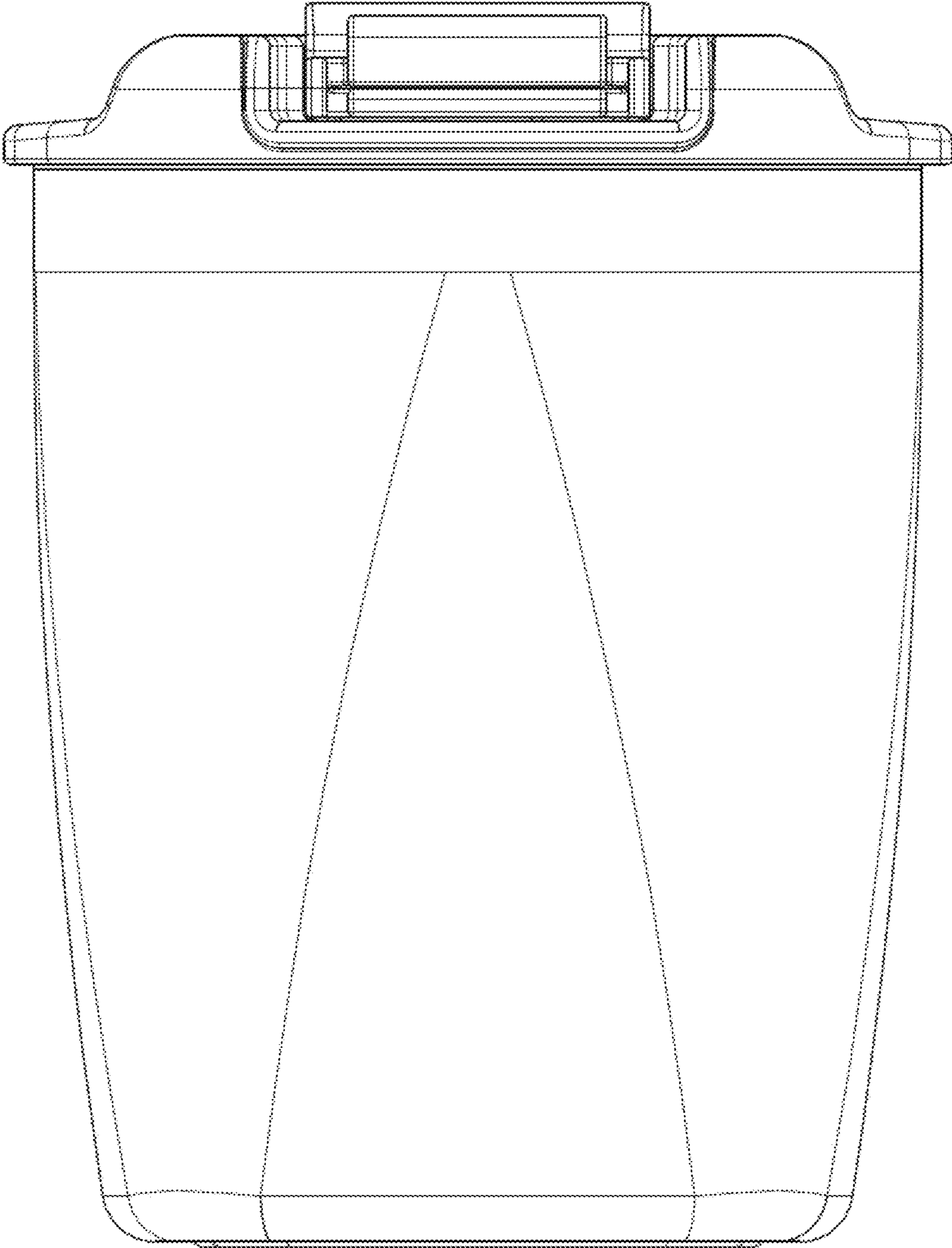


FIG. 2

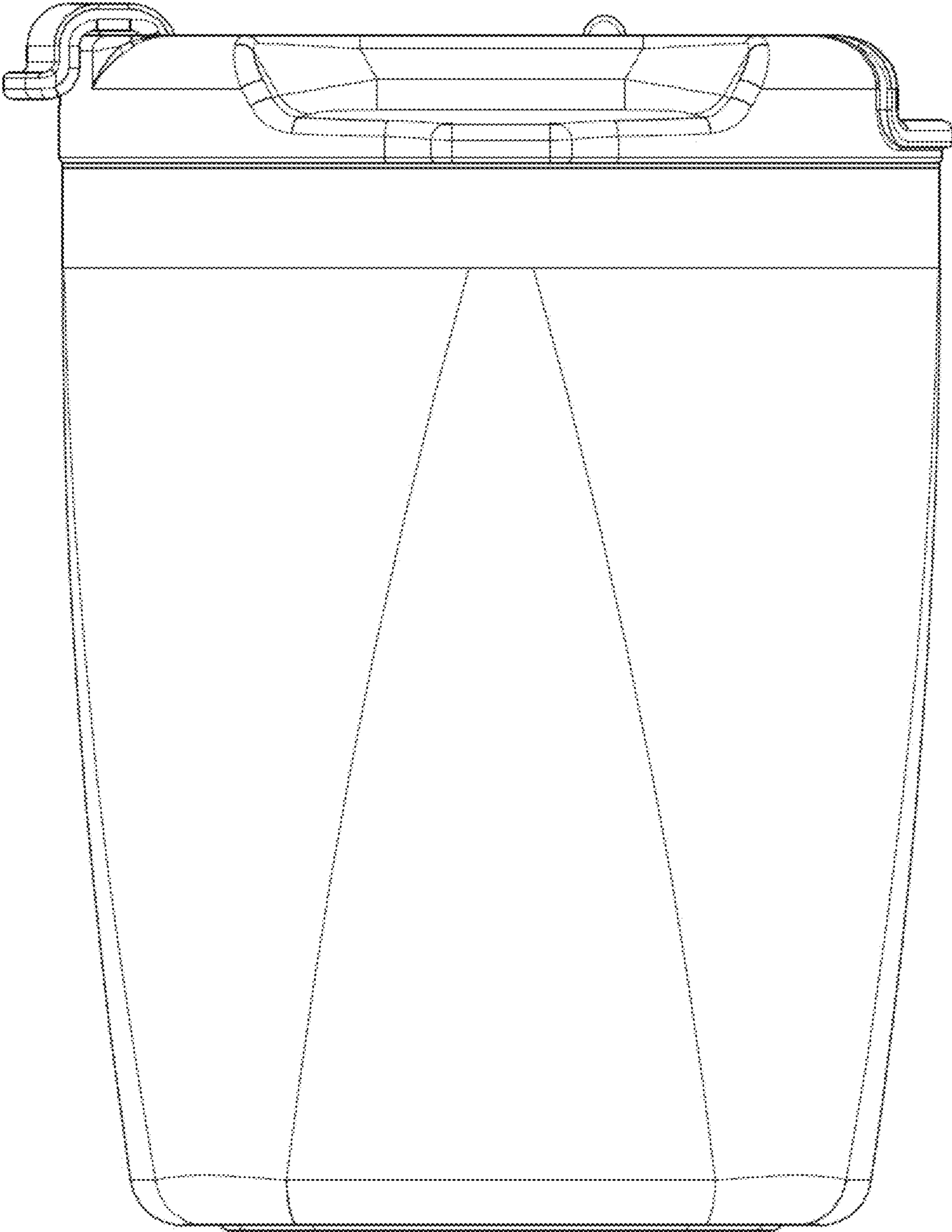


FIG. 3

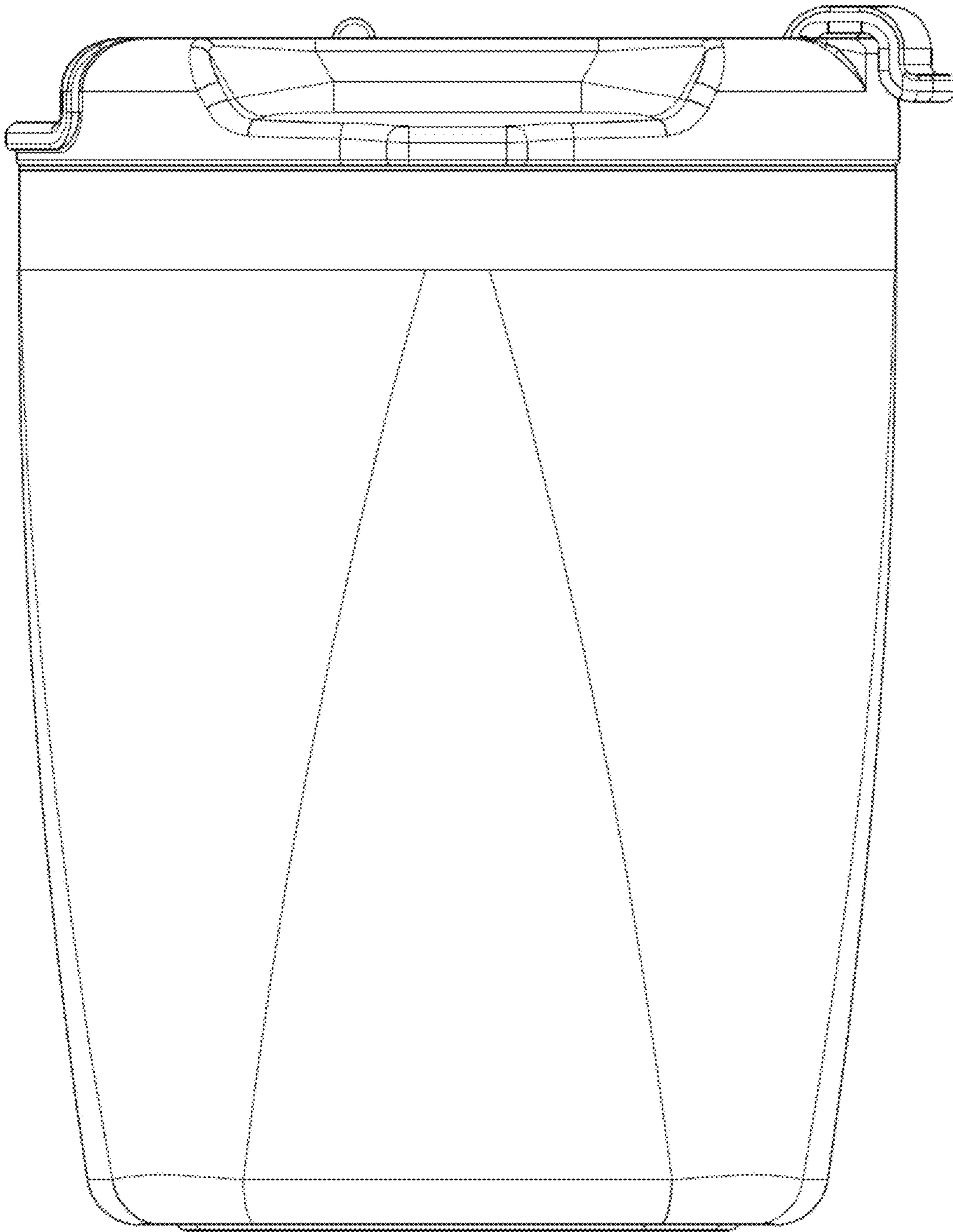


FIG. 4

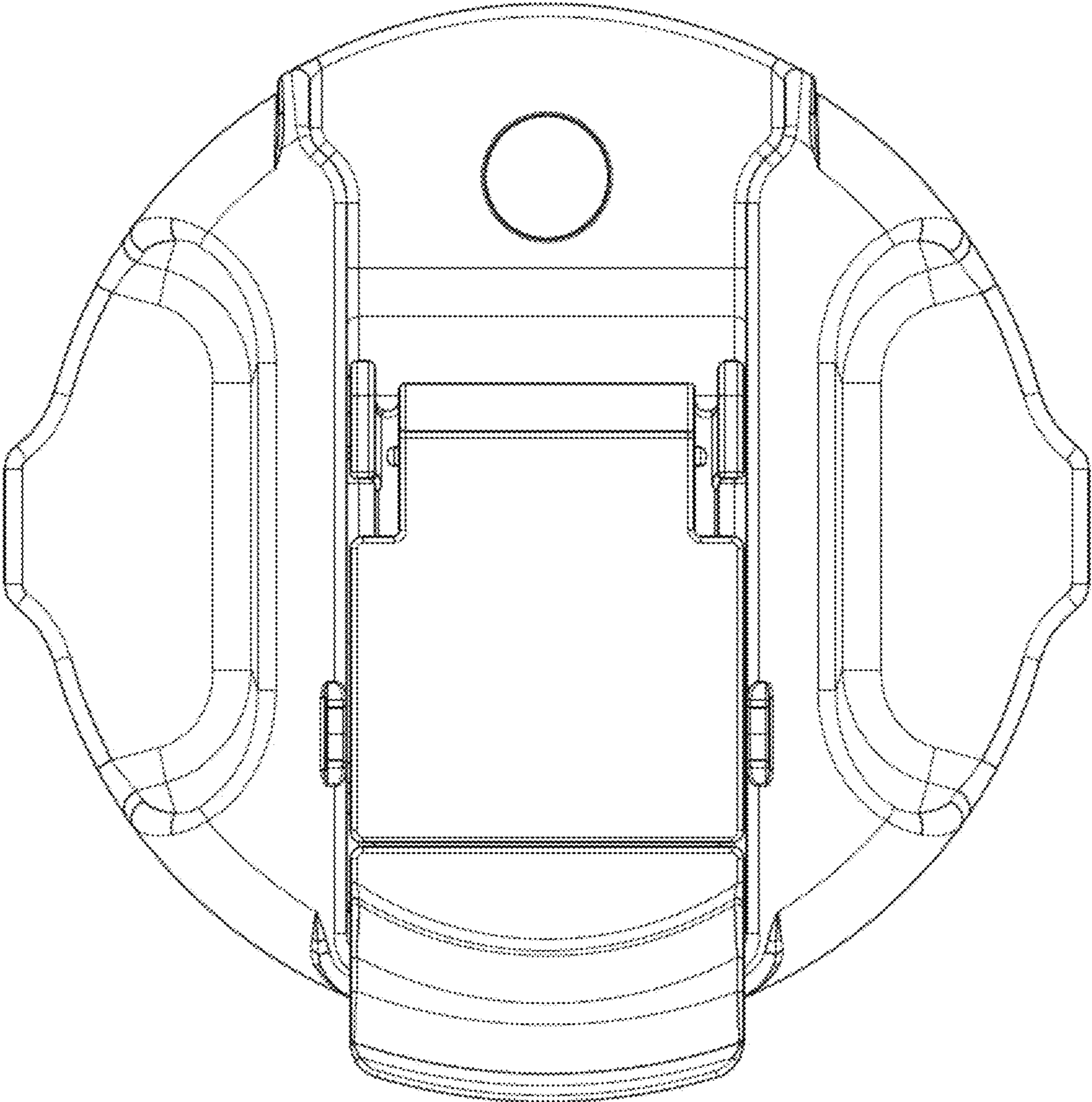


FIG. 5

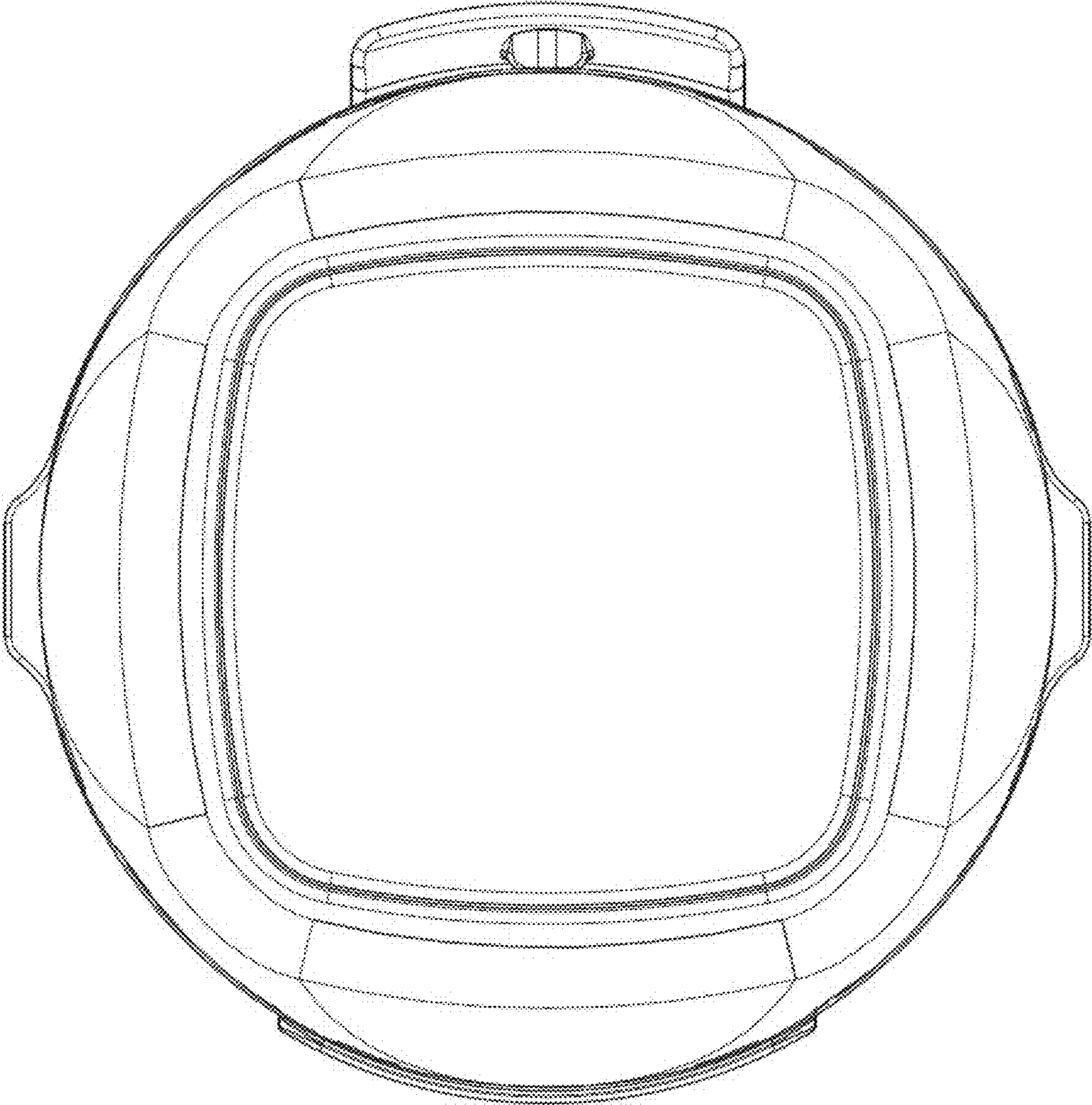


FIG. 6

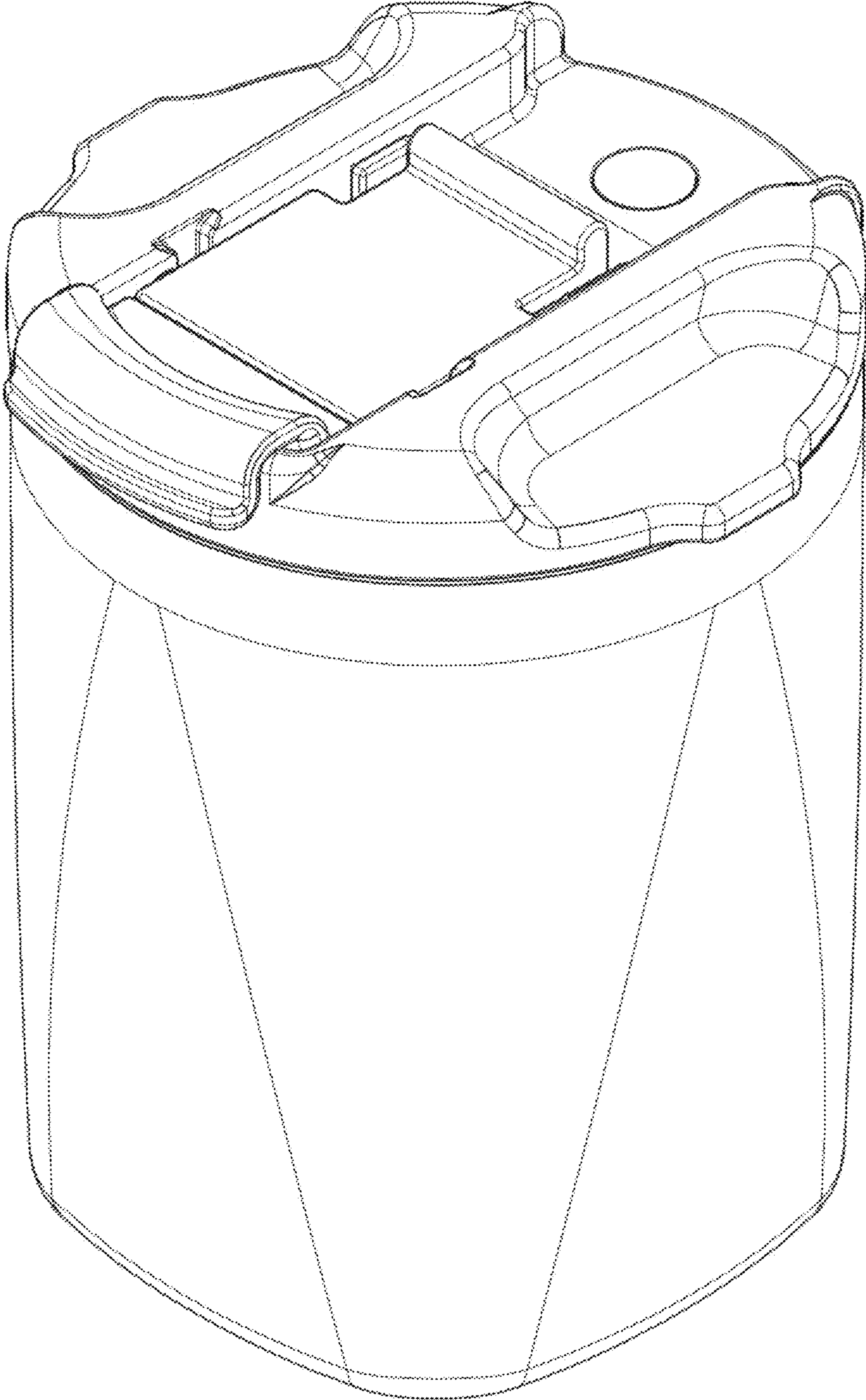


FIG. 7