



US00D958598S

(12) **United States Design Patent** (10) **Patent No.:** **US D958,598 S**
Zhu (45) **Date of Patent:** **** Jul. 26, 2022**

(54) **JUICE CUP**
(71) Applicant: **Xueping Zhu**, Chenzhou (CN)
(72) Inventor: **Xueping Zhu**, Chenzhou (CN)
(**) Term: **15 Years**

D627,602 S * 11/2010 Eyal D9/504
D629,252 S * 12/2010 Alviar D7/510
D652,682 S * 1/2012 Eyal D7/510
D655,134 S * 3/2012 Gilbert D9/504
D671,837 S * 12/2012 Rosenberg D9/504
D683,221 S * 5/2013 Graham D9/504

(Continued)

(21) Appl. No.: **29/735,117**
(22) Filed: **May 19, 2020**
(51) **LOC (13) Cl.** **07-01**
(52) **U.S. Cl.**
USPC **D7/510; D7/532**
(58) **Field of Classification Search**
USPC D7/507, 509, 510, 511, 523, 533, 536,
D7/392.1, 396.1, 396.2, 608, 300.1, 598,
D7/600, 532, 900; D9/443, 446, 449;
D3/202; D29/125, 126; 220/713, 715
CPC A47G 19/2205; A47G 23/16; A47G
19/2272; A47J 41/00; A47J 41/02; A47J
41/0088; A47J 41/0077; Y10S 220/903;
B65D 21/02; B65D 43/00; B65D 41/00
See application file for complete search history.

FOREIGN PATENT DOCUMENTS

KR 300861254.0000 * 6/2016
KR 300893060.0000 * 2/2017

(Continued)

OTHER PUBLICATIONS

Welly [online] URL: <https://www.thegrommet.com/products/welly-bottle-bambooinfuser-water-bottle> (site visited:Feb. 23, 2022) (Year: 2019).*

(Continued)

Primary Examiner — Jae Liang
Assistant Examiner — Tia Ruth-Renee Polidori

(57) **CLAIM**

The ornamental design for a juice cup, as shown and described.

DESCRIPTION

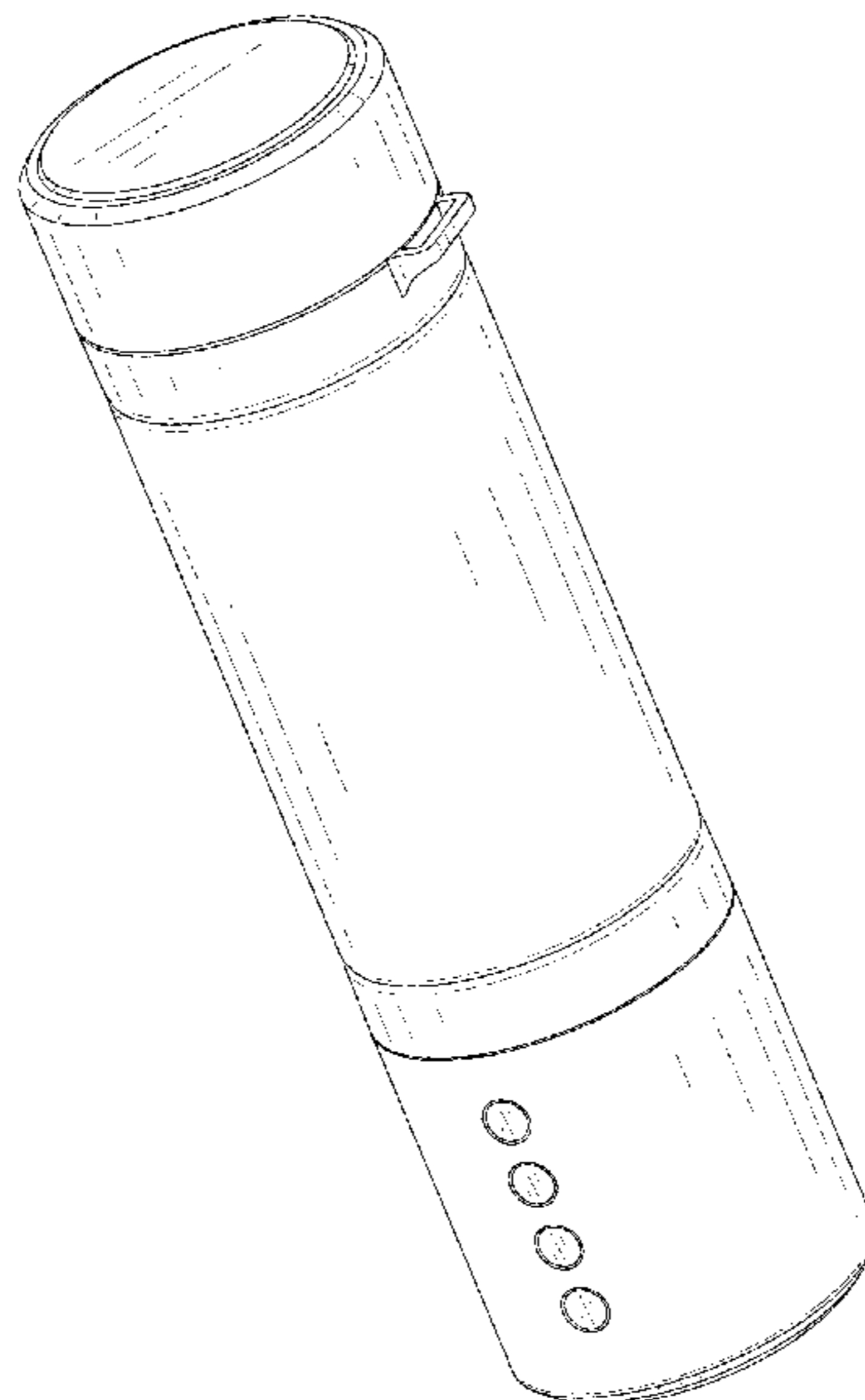
FIG. 1 is a top perspective view of a juice cup showing my new design;
FIG. 2 is a bottom perspective view thereof;
FIG. 3 is a front elevation view thereof;
FIG. 4 is a back elevation view thereof;
FIG. 5 is a left-side elevation view thereof;
FIG. 6 is a right-side elevation view thereof;
FIG. 7 is a top plan view thereof; and,
FIG. 8 is a bottom plan view thereof.
The portions of the juice cup shown in broken line form no part of the claimed design.

1 Claim, 8 Drawing Sheets

(56) **References Cited**

U.S. PATENT DOCUMENTS

D160,876 S * 11/1950 Mesi D7/596
4,444,324 A * 4/1984 Grenell B65D 25/04
426/115
D274,209 S * 6/1984 Kikuchi D9/556
D286,604 S * 11/1986 Bierlein D11/152
D379,714 S * 6/1997 Cerny D3/264
D390,002 S * 2/1998 Brizard D3/229
5,987,913 A * 11/1999 Andrzejczak A47G 19/02
62/457.2
6,032,481 A * 3/2000 Mosby A47J 36/30
62/460
D546,124 S * 7/2007 Tien D7/510
D592,909 S * 5/2009 Alviar D7/510
D615,352 S * 5/2010 Alviar D7/532
D623,475 S * 9/2010 Aarnoudse D9/504



(56)

References Cited

OTHER PUBLICATIONS

U.S. PATENT DOCUMENTS

8,474,648 B1 * 7/2013 Ritzen A47J 41/0088
 220/592.17
 D695,138 S * 12/2013 Ball D9/435
 D702,398 S * 4/2014 Fakhouri D27/181
 D723,872 S * 3/2015 Kostler D7/510
 D754,485 S * 4/2016 Lapsker D7/532
 D787,886 S * 5/2017 Cerasani D7/532
 D823,537 S * 7/2018 Beaver D9/504
 D840,246 S * 2/2019 Shalev D9/728
 D897,774 S * 10/2020 Pisarevsky D7/532
 10,945,517 B1 * 3/2021 Gilbar B65D 43/0229
 D943,356 S * 2/2022 Lyu D7/608
 2016/0073806 A1 * 3/2016 Heaton A23L 2/72
 220/501
 2017/0188730 A1 * 7/2017 Schuller B65D 51/245
 2018/0362221 A1 * 12/2018 Hooks B65D 85/816
 2019/0337675 A1 * 11/2019 Rajendran B65D 81/3823
 2020/0115103 A1 * 4/2020 Gautreaux B65D 23/12
 2021/0171239 A1 * 6/2021 Gilbar B65D 43/0229
 2021/0323757 A1 * 10/2021 Lang B65D 77/28

FOREIGN PATENT DOCUMENTS

KR 300946527.0000 * 3/2018
 KR 301012468.0000 * 6/2019
 KR 301040283.0000 * 1/2020
 KR 301064377.0000 * 6/2020

Bevvo [online] URL: <https://mybevvo.com/products/bevvo-blender>
 (site visited:Feb. 23, 2022) (Year: 2021).*

Cavebit [online] URL: <https://www.amazon.com/Portable-Cavebit-Personal-Smoothie-Rechargeable/dp/B0999598F6> (site visited:Feb. 7, 2022) (Year: 2021).*

Midea [online] URL: <https://www.banggood.com/Midea-Bugu-BG-JS2-Electric-Juicer-400ml-Mini-Portable-Juicer-Cup-Milkshakes-Fruit-Purees-Food-Processor-p-1819253.html?> (site visited:Feb. 23, 2022) (Year: 2021).*

Timikubo [online] URL: <https://www.amazon.com/Adjustable-Stainless-Rechargeable-One-Touch-Operation/dp/B097T2K1YT> (site visited:Feb. 23, 2022) (Year: 2021).*

Whiskware [online] URL: <https://www.amazon.com/Whiskware-Stackable-Snack-Pack-Coral/dp/B08VM3TK4D> (site visited:Feb. 23, 2022) (Year: 2021).*

Zyliss [online] URL: <https://www.kitchenkapers.com/products/zyliss-ad-hoc-stainless-steel-nutmeg-mill> (site visited:Feb. 23, 2022) (Year: 2022).*

* cited by examiner

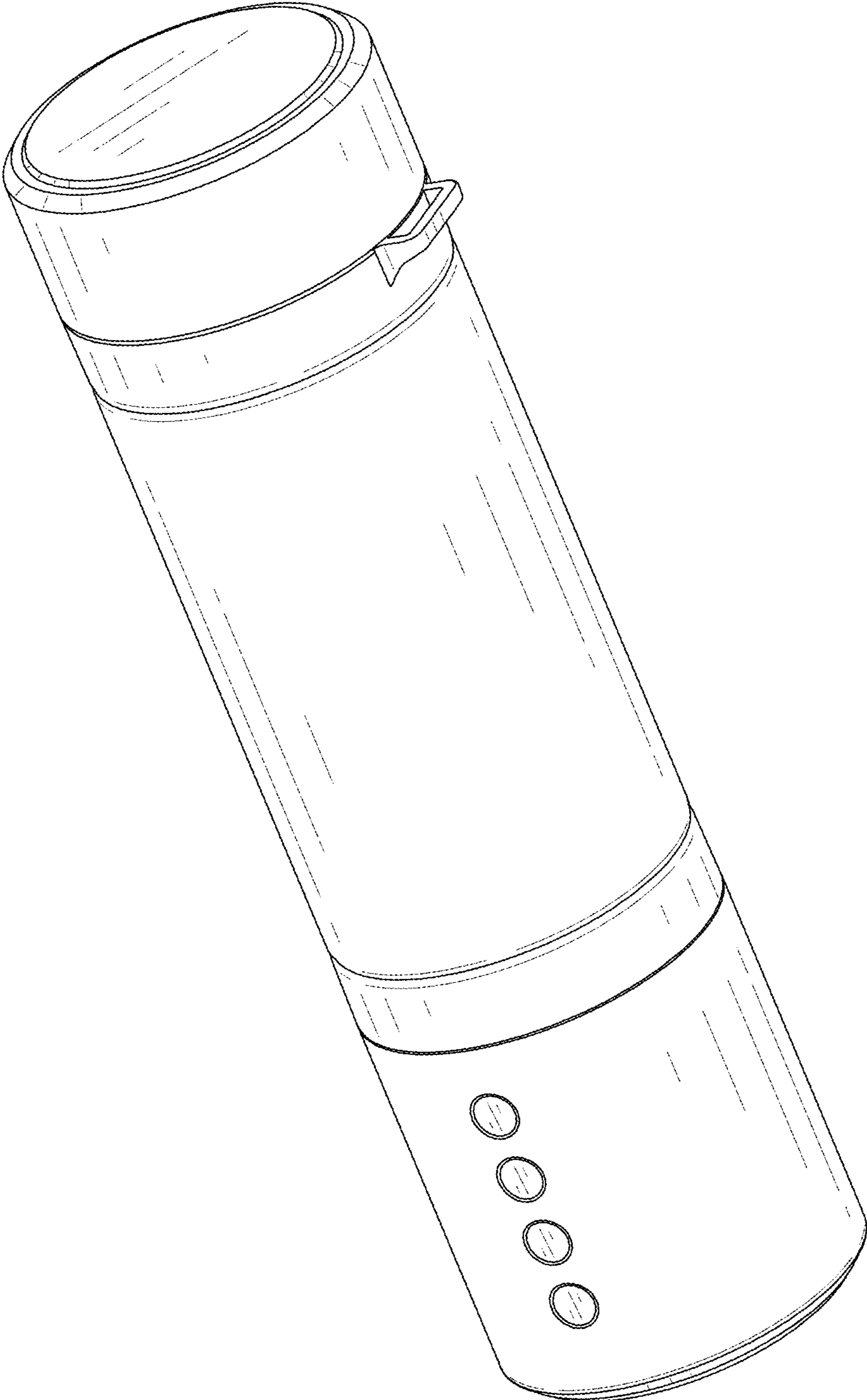


FIG. 1

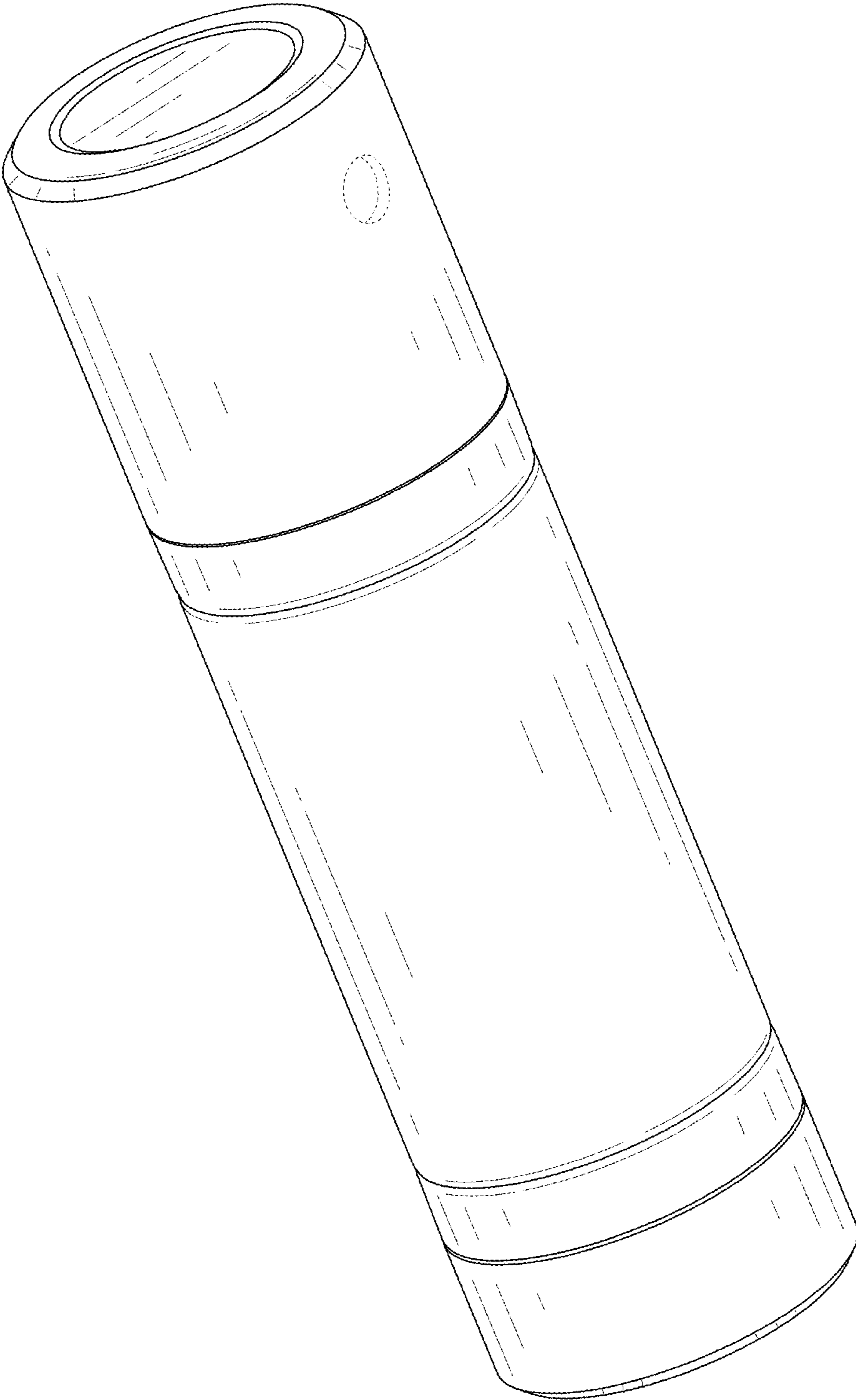


FIG. 2

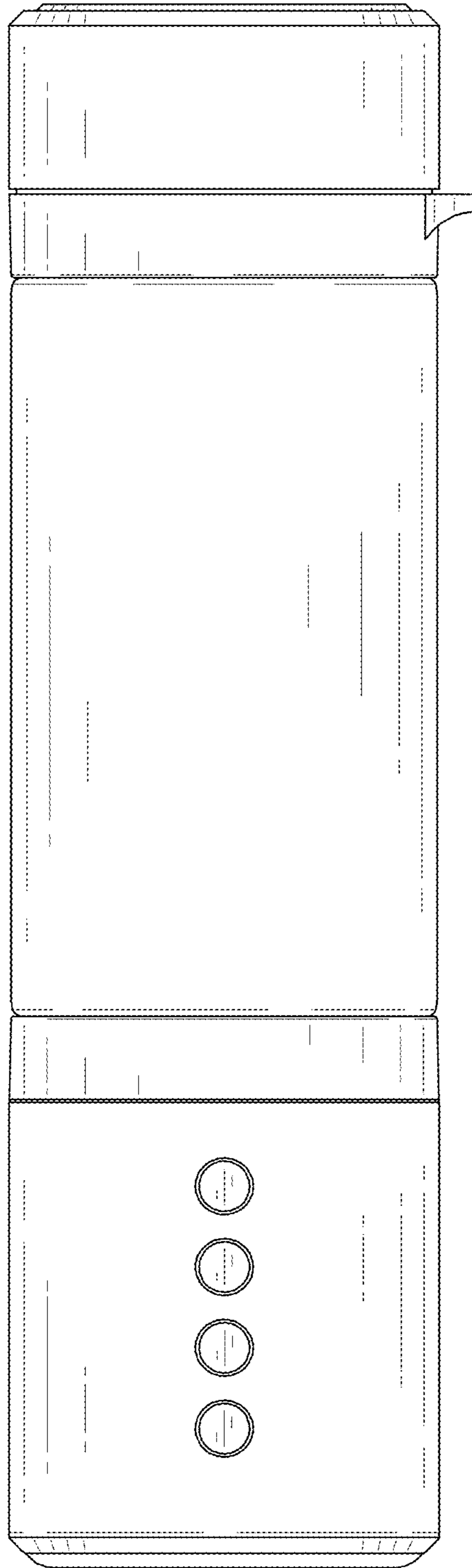


FIG. 3

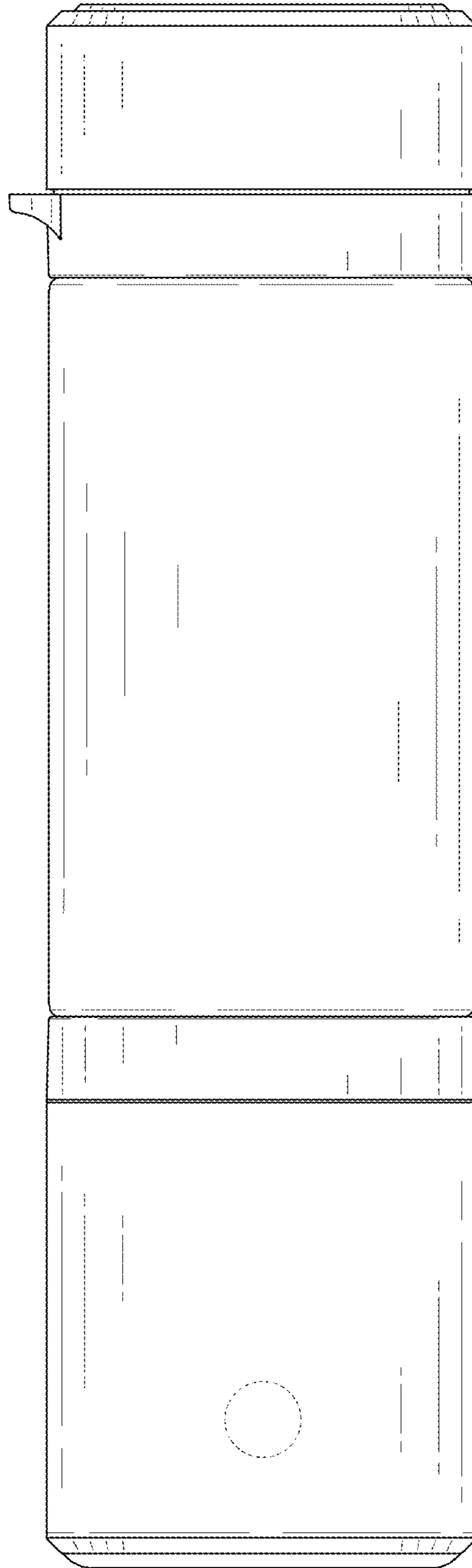


FIG. 4

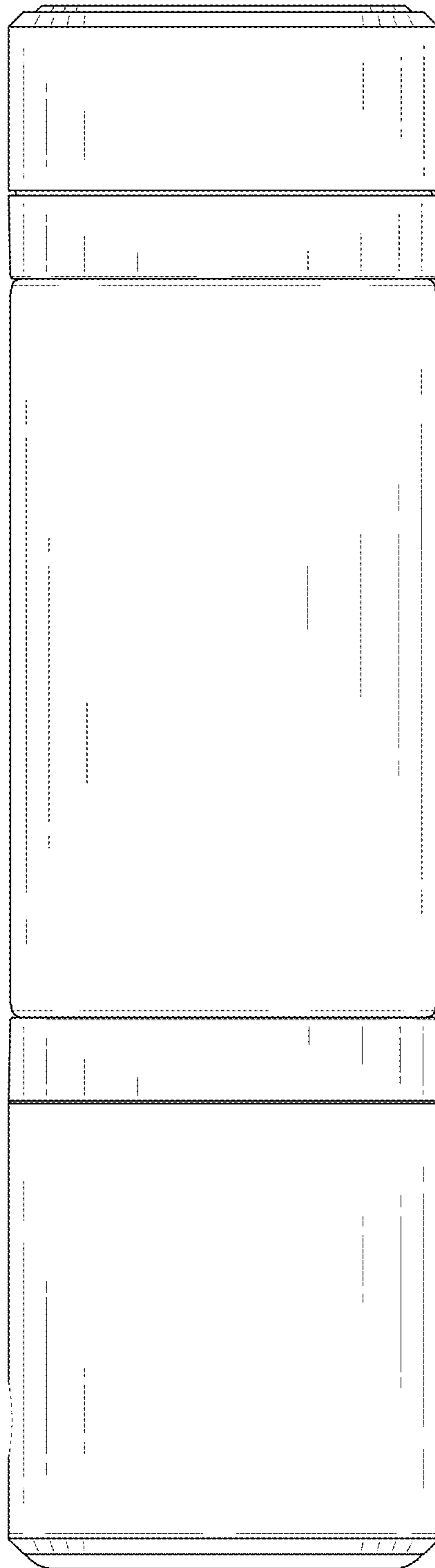


FIG. 5

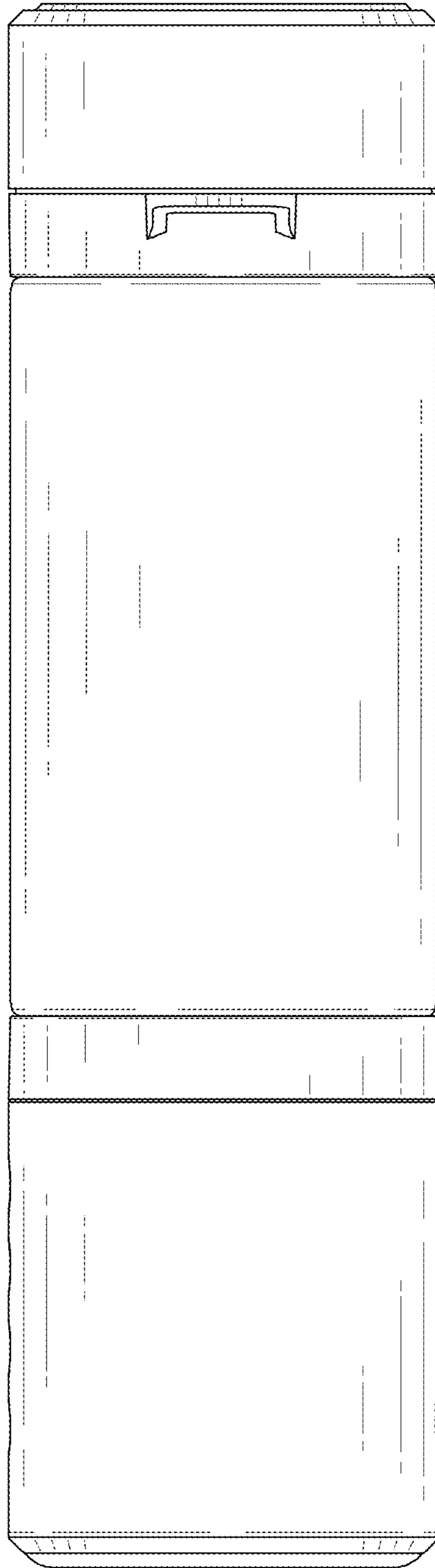


FIG. 6

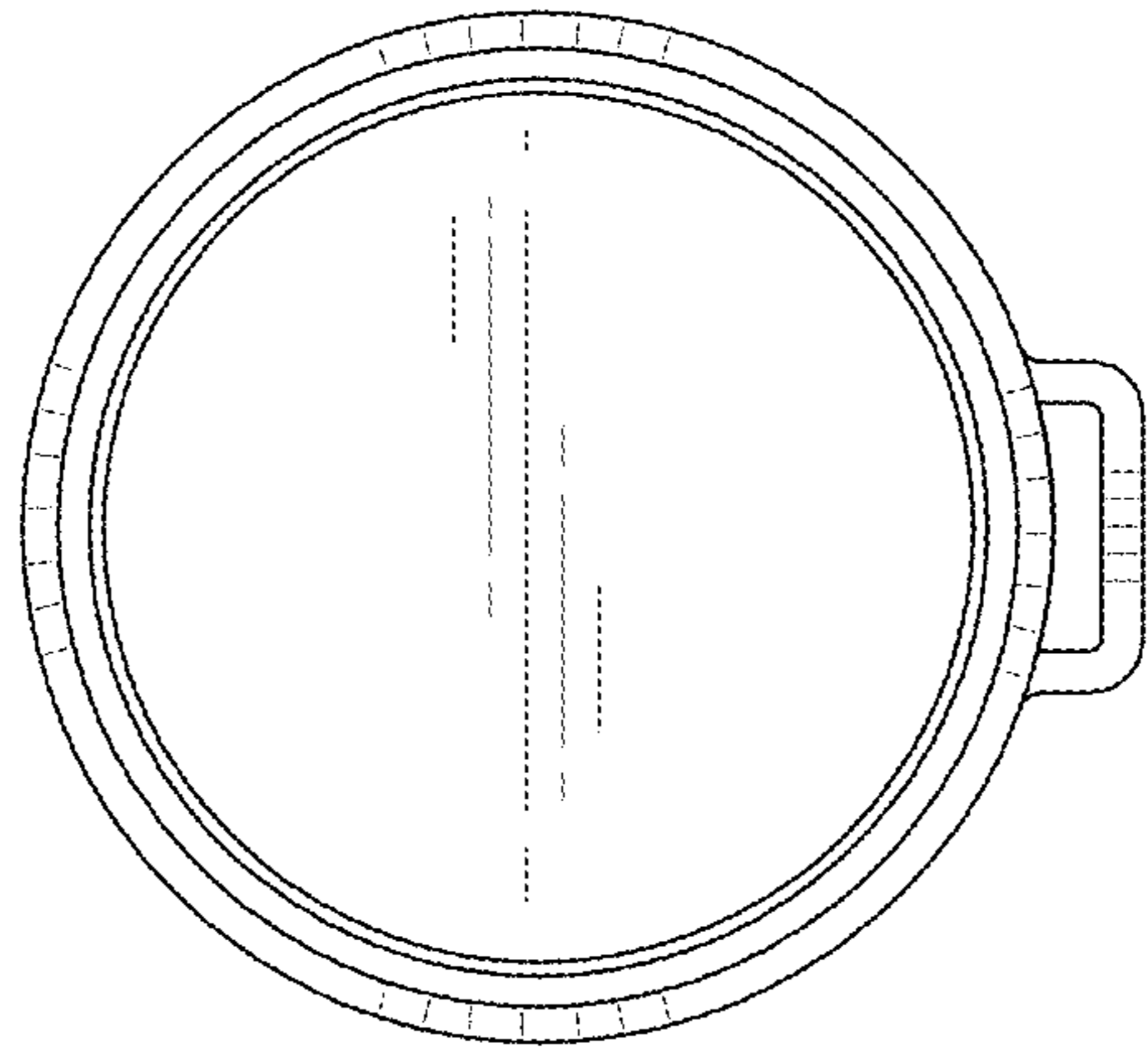


FIG. 7

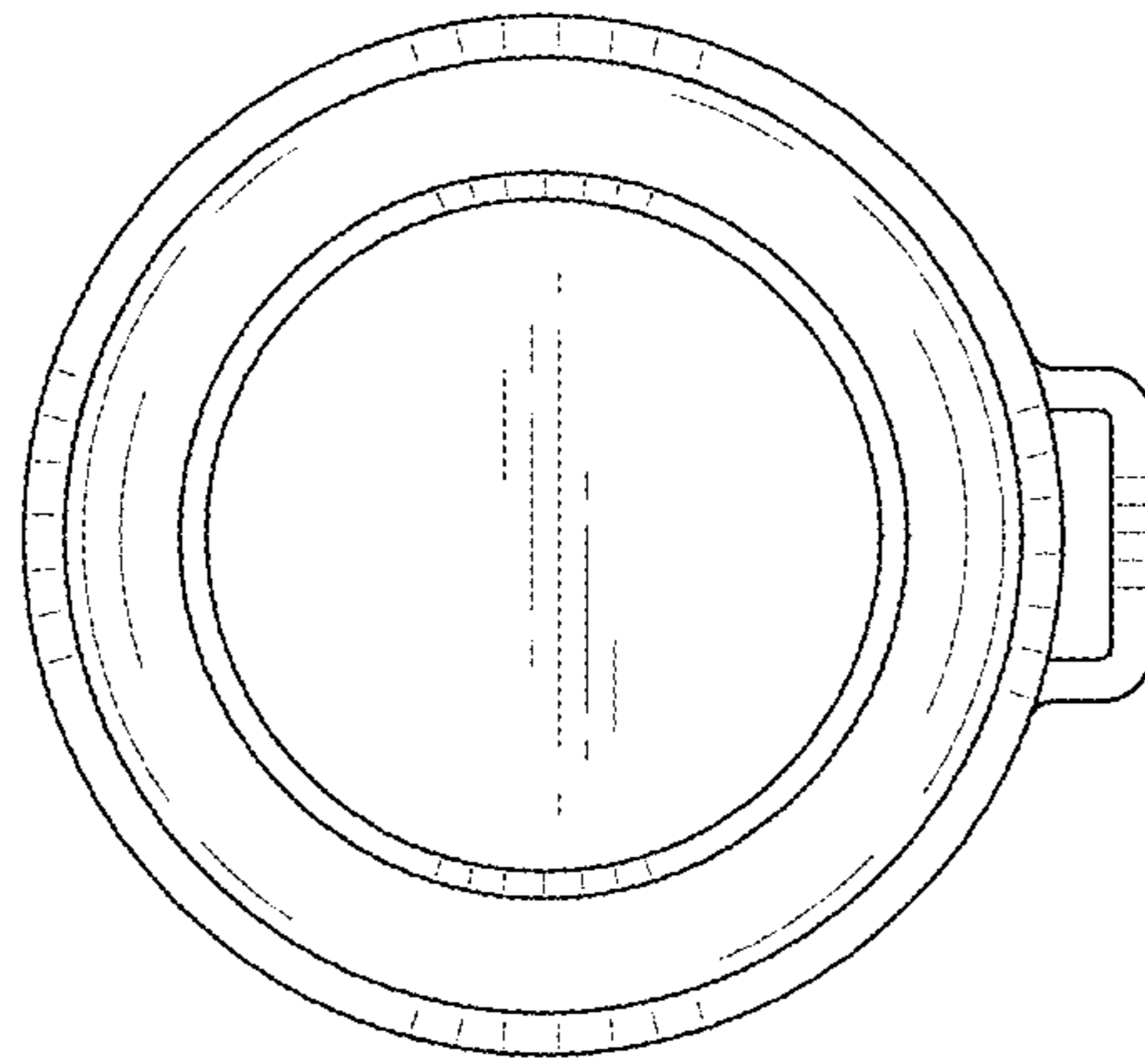


FIG. 8