



US00D958594S

(12) **United States Design Patent** (10) **Patent No.:** **US D958,594 S**
Bazzicalupo et al. (45) **Date of Patent:** **** Jul. 26, 2022**

(54) **ELECTRIC MIXER**
(71) Applicant: **SMEG S.p.A.**, Guastalla (IT)
(72) Inventors: **Leopoldo Bazzicalupo**, Sale Marasino (IT); **Raffaella Mangiarotti**, Milan (IT)

D665,223 S * 8/2012 Haley D7/378
8,550,692 B1 * 10/2013 Brown A47J 43/0711
366/129
D726,495 S * 4/2015 Ryan D7/412
D800,493 S * 10/2017 Müller D7/384

(73) Assignee: **SMEG S.p.A.**
(**) Term: **15 Years**

OTHER PUBLICATIONS

(21) Appl. No.: **35/511,746**
(22) Filed: **Oct. 27, 2020**

SMEG website, Hand Mixer, Publication date unknown, [site visited Mar. 29, 2022], Available on the Internet URL www.smeg.com/products/HMF01BLEU (Year: 2022).*
Amazon website, Smeg 50's Retro Style Electric Hand Mixer, Date first available on Amazon Dec. 29, 2021, [site visited Mar. 29, 2022], Available on the Internet URL <https://www.amazon.com/Smeg-Retro-Electric-HMF01-Pastel/dp/B09K8K56KH?th=1> (Year: 2021).*
YouTube-Smeg SpA, Publication date Jun. 17, 2021, [site visited Mar. 29, 2022], Available on the Internet URL <https://www.youtube.com/watch?v=BSXpJk-Wvhg> (Year: 2021).*

(80) **Hague Agreement Data**
Int. Filing Date: **Oct. 27, 2020**
Int. Reg. No.: **DM/211194**
Int. Reg. Date: **Oct. 27, 2020**
Int. Reg. Pub. Date: **Apr. 30, 2021**

* cited by examiner

(51) **LOC (13) Cl.** **07-99**
(52) **U.S. Cl.**
USPC **D7/397; D7/376**
(58) **Field of Classification Search**
USPC D7/300, 319, 376, 373, 379, 384, 392.1,
D7/397, 400, 511, 515; D8/62
CPC A21C 1/02; A21C 1/04
See application file for complete search history.

Primary Examiner — S. Bryan Reinholdt, Jr.
(74) *Attorney, Agent, or Firm* — The Belles Group, P.C.

(56) **References Cited**

(57) **CLAIM**

U.S. PATENT DOCUMENTS

The ornamental design for an electric mixer, as shown and described.

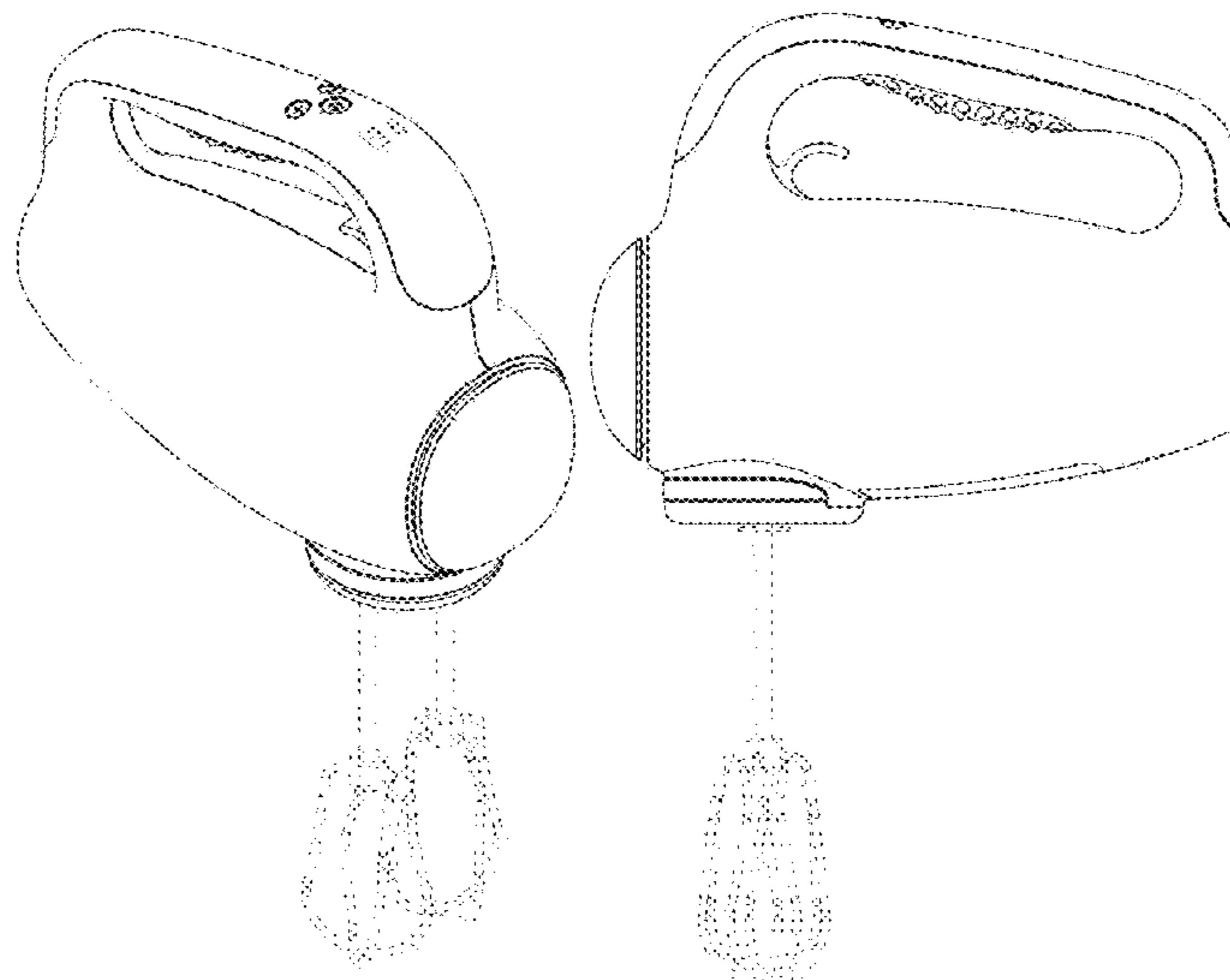
D148,095 S * 12/1947 Snyder et al. D7/386
D158,884 S * 6/1950 Morgan D7/379
2,798,696 A * 7/1957 Kuhagen A47J 43/044
D7/379
D322,008 S * 12/1991 Littmann D7/379
D329,165 S * 9/1992 Doggett D7/378
D329,166 S * 9/1992 Doggett D7/379
D345,888 S * 4/1994 Joss D7/412
D367,400 S * 2/1996 Viemeister D7/379
D413,242 S * 8/1999 Robson D8/62
D465,967 S * 11/2002 Dalton D7/379

DESCRIPTION

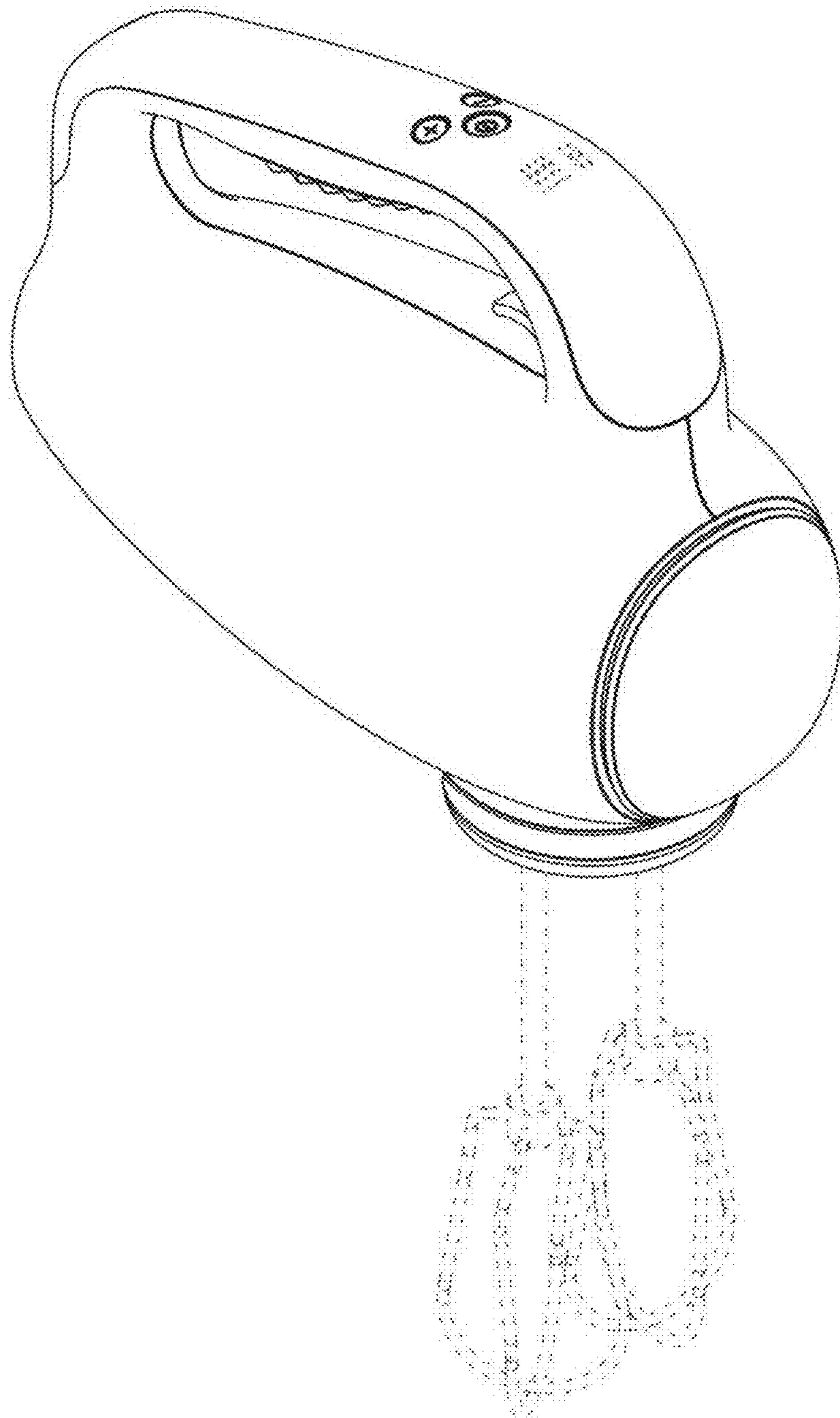
- 1. Electric mixer
- 1.1 : Perspective front view
- 1.2 : Front
- 1.3 : Rear view
- 1.4 : Right side view
- 1.5 : Left side view
- 1.6 : Top
- 1.7 : Bottom

The broken line shown is for the purpose of illustrating portions of the electric mixer and forms no part of the claimed design.

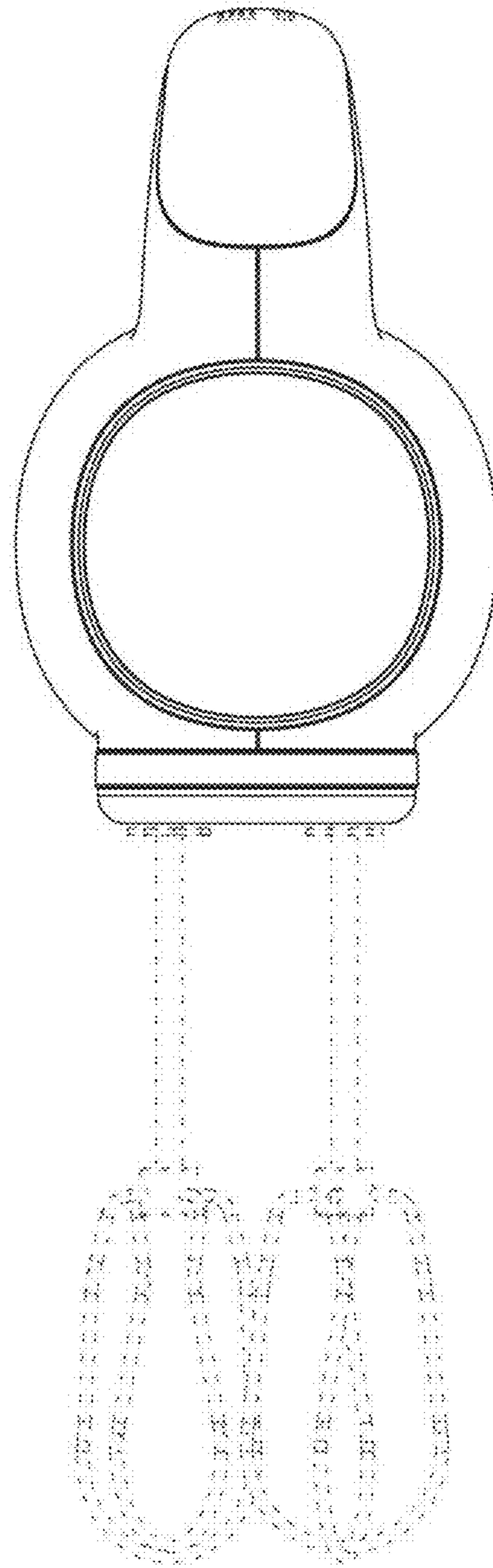
1 Claim, 7 Drawing Sheets



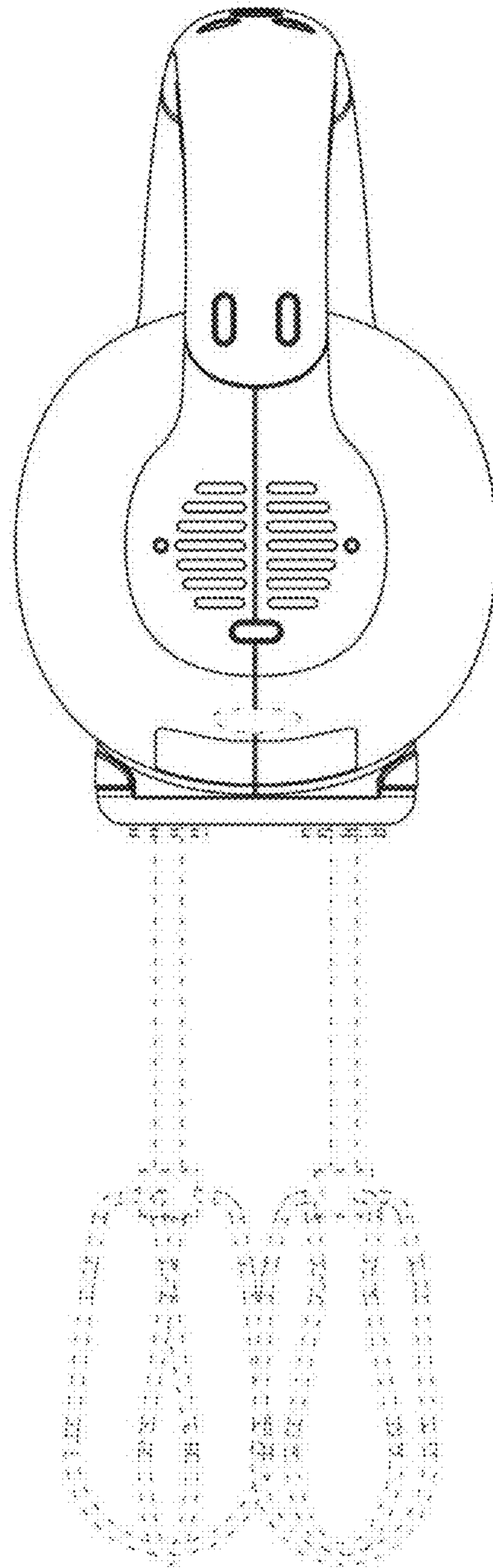
1.1



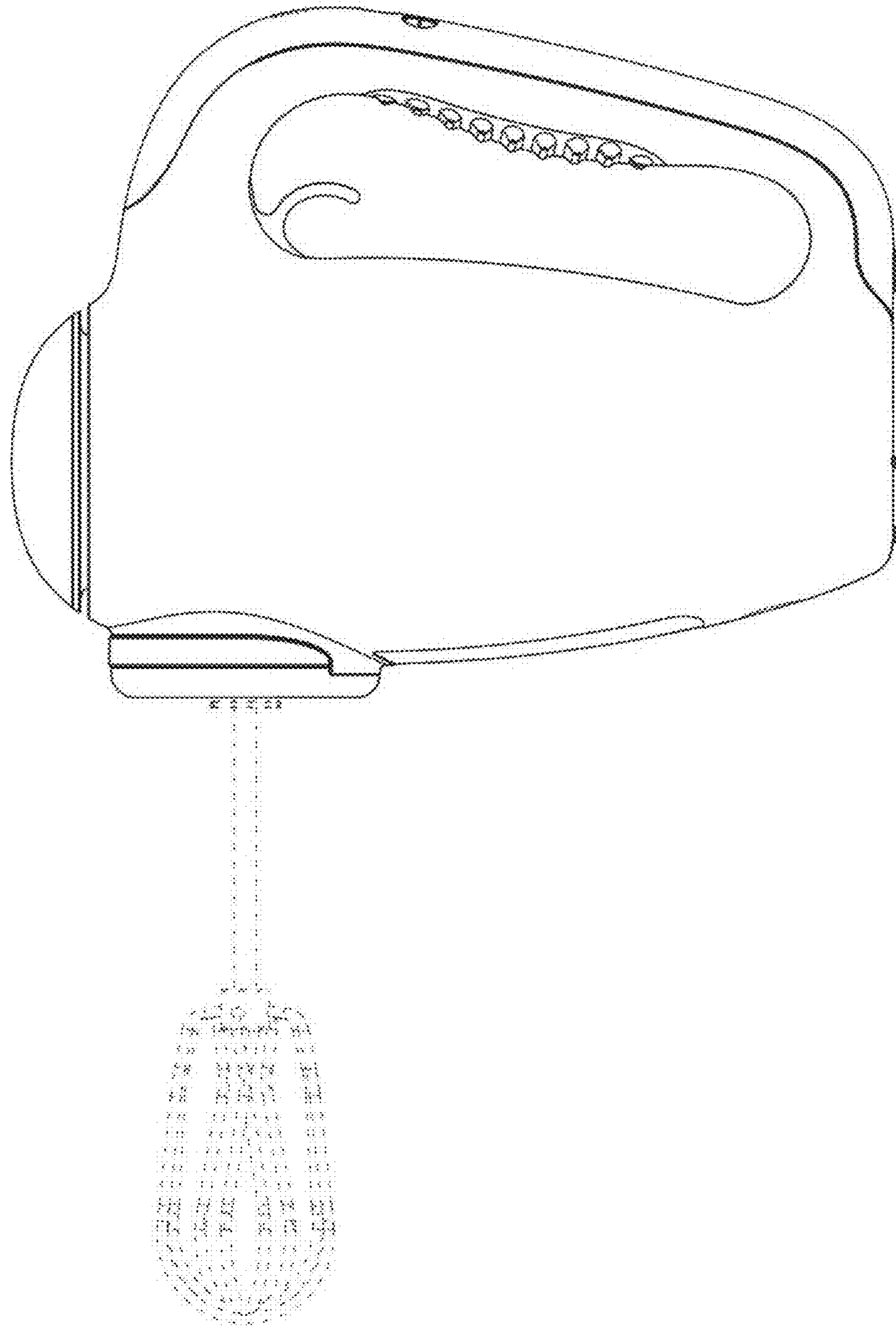
1.2



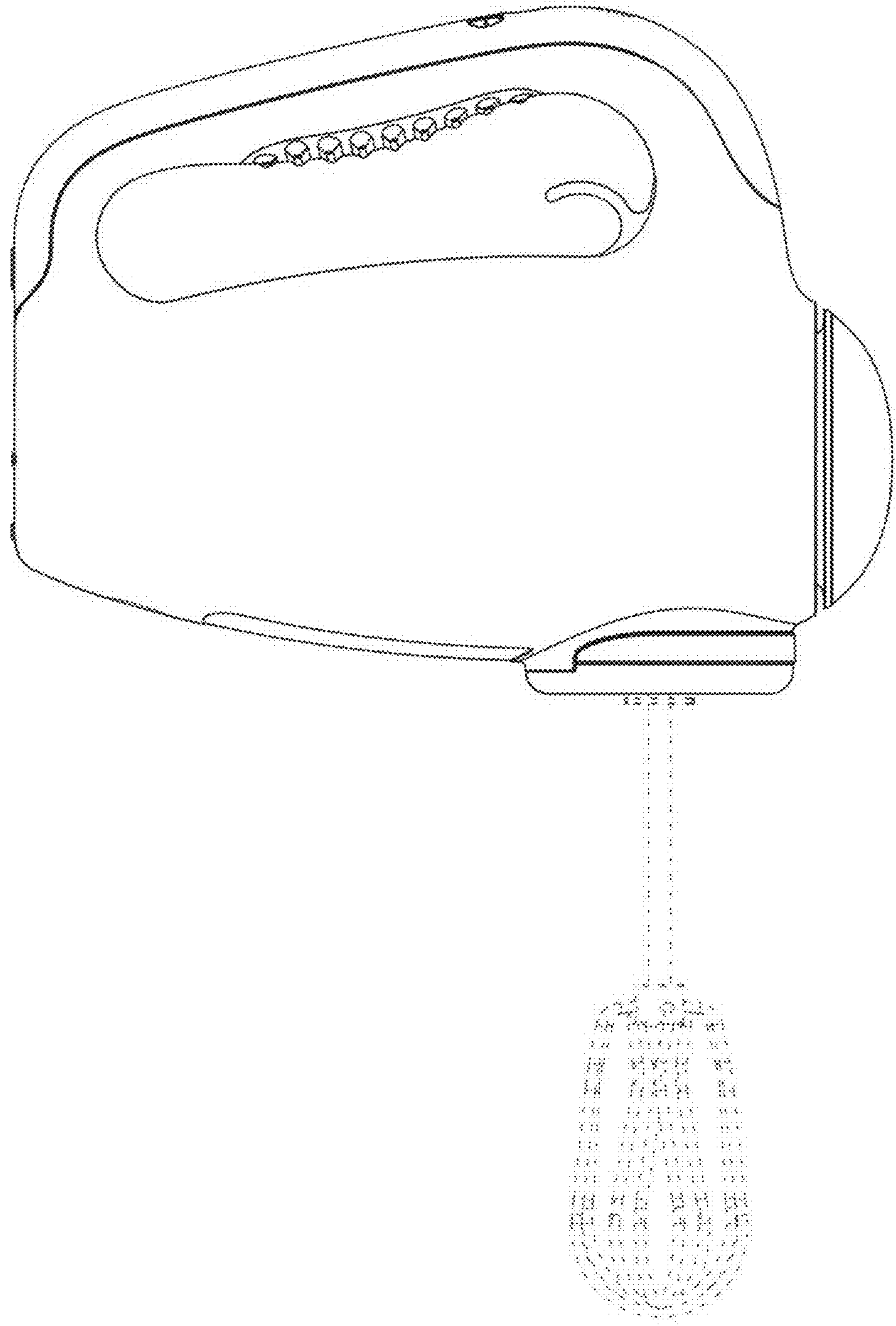
1.3



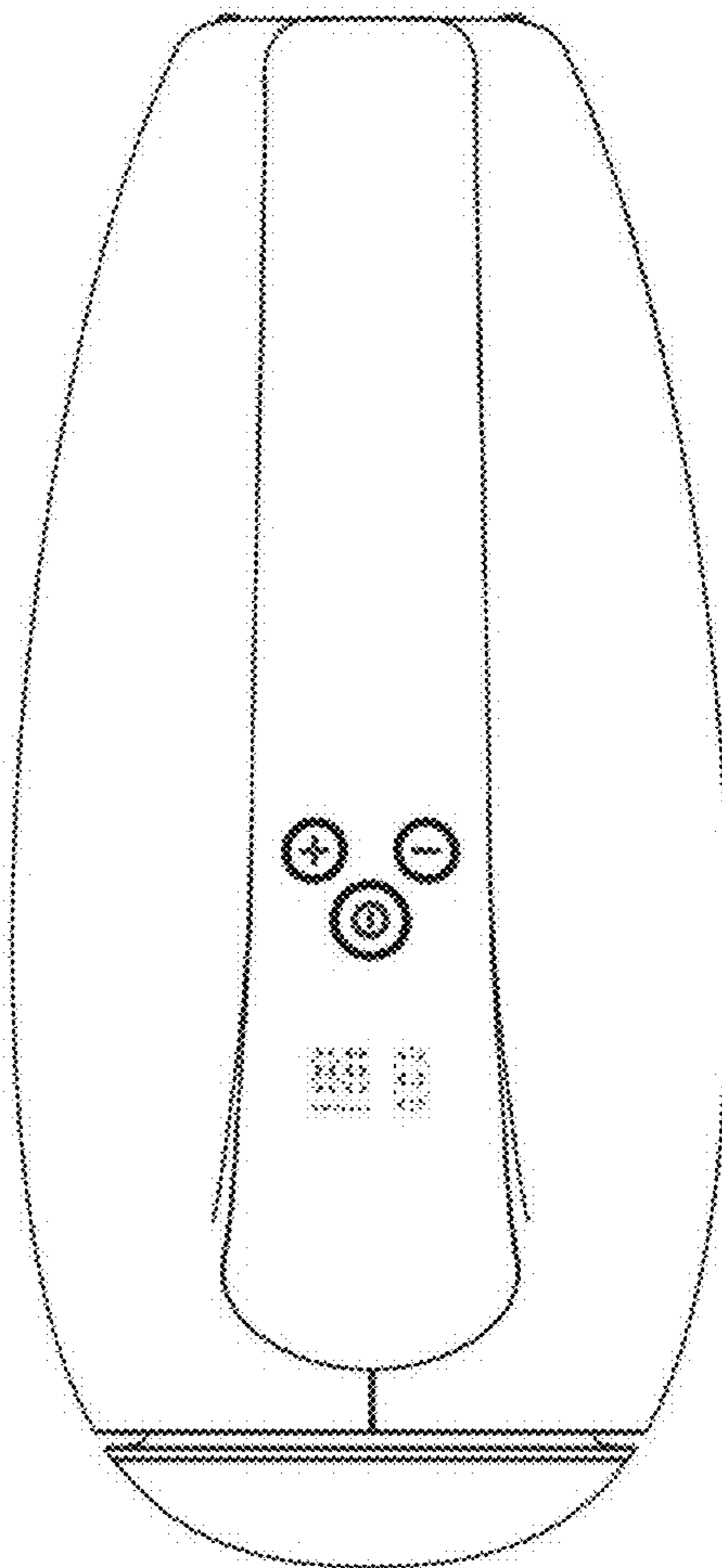
1.4



1.5



1.6



1.7

