

US00D958592S

(12) **United States Design Patent**
Zhou

(10) **Patent No.:** **US D958,592 S**

(45) **Date of Patent:** **** Jul. 26, 2022**

(54) **BOTTLE LID**

(71) Applicant: **TAIZHOU NUOJIU TRADING CO., LTD.**, Zhejiang (CN)

(72) Inventor: **Danhong Zhou**, Zhejiang (CN)

(73) Assignee: **TAIZHOU NUOJIU TRADING CO., LTD.**, Zhejiang (CN)

(**) Term: **15 Years**

(21) Appl. No.: **29/780,304**

(22) Filed: **Apr. 23, 2021**

(51) **LOC (13) Cl.** **09-07**

(52) **U.S. Cl.**
USPC **D7/392.1; D9/443; D7/396.2**

(58) **Field of Classification Search**
USPC D9/435, 439, 440, 442-449, 450, 454, D9/531, 682-694, 723; D7/321, 391, D7/392, 392.1, 396.2, 507, 509-511, 523, D7/608, 900; D6/515
CPC B65D 83/205; B65D 83/206; B65D 83/40; B65D 2543/00046; A47G 19/2272
See application file for complete search history.

(56) **References Cited**

U.S. PATENT DOCUMENTS

D510,235 S	*	10/2005	Sorensen	D7/510
D626,837 S	*	11/2010	Meyers	D9/443
D626,838 S	*	11/2010	Meyers	D9/443
D628,483 S	*	12/2010	McKinney	D9/449
D644,065 S	*	8/2011	Llerena	D7/510
D646,919 S	*	10/2011	Nilsson	B65D 47/148
					D7/510
D666,047 S	*	8/2012	Lin	D7/510
D690,989 S	*	10/2013	Cetera	D7/392.1
D691,849 S	*	10/2013	Cetera	D7/392.1
D696,551 S	*	12/2013	Meyers	D7/392.1
D699,996 S	*	2/2014	De Leo	D7/510

D730,694 S	*	6/2015	Elsaden	D7/511
D739,174 S	*	9/2015	Elsaden	D7/392.1
D742,230 S	*	11/2015	Charles	D9/449
D745,827 S	*	12/2015	Sorensen	D9/450
D748,430 S	*	2/2016	Sorensen	D7/392.1
D748,478 S	*	2/2016	Sorensen	D9/449
D751,344 S	*	3/2016	Charlton	D7/510
D752,382 S	*	3/2016	Ksiazek	D7/392.1
D752,390 S	*	3/2016	Ksiazek	D7/510

(Continued)

FOREIGN PATENT DOCUMENTS

CN	303081221	*	1/2015
CN	304985290	*	1/2019

(Continued)

Primary Examiner — Brett Miller

Assistant Examiner — Rani J Abdallah

(74) *Attorney, Agent, or Firm* — ScienBiziP, P.C.

(57) **CLAIM**

The ornamental design for a bottle lid, as shown and described.

DESCRIPTION

FIG. 1 is a front, top perspective view of a bottle lid, showing my design.

FIG. 2 is a right, top perspective view thereof.

FIG. 3 is a front elevation view thereof.

FIG. 4 is a rear elevation view thereof.

FIG. 5 is a left side elevation view thereof.

FIG. 6 is a right side elevation view thereof.

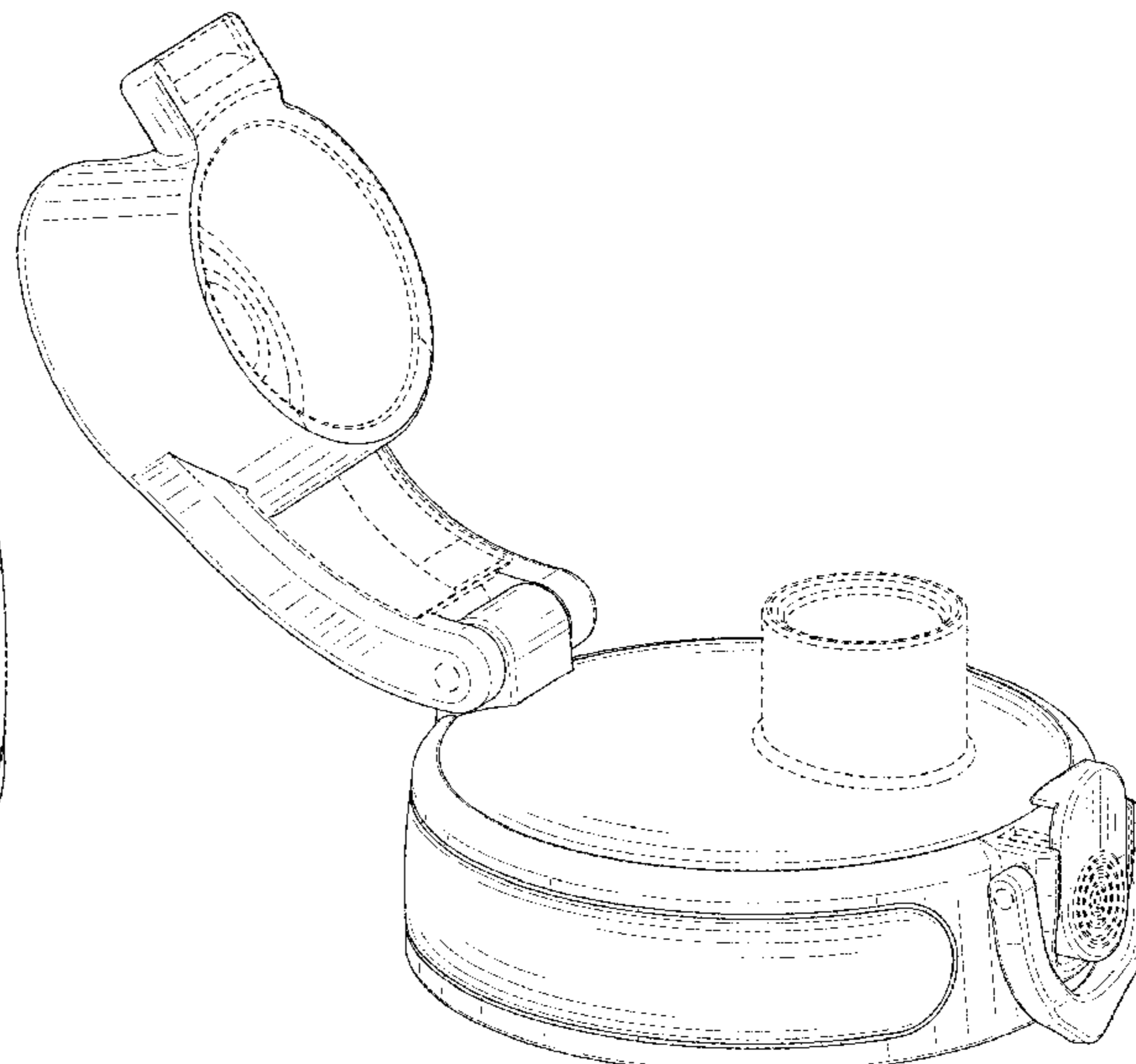
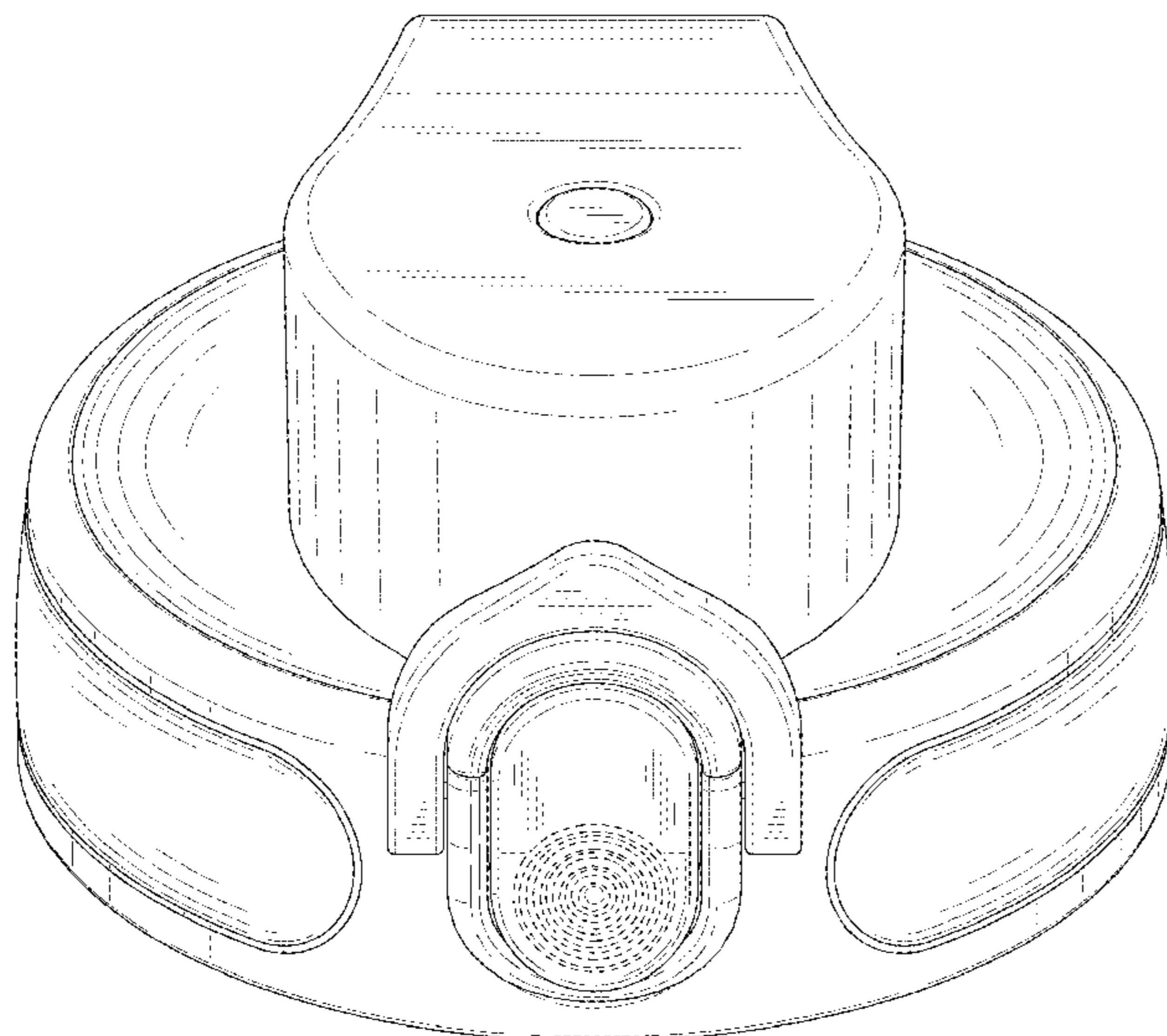
FIG. 7 is a top plan view thereof.

FIG. 8 is a bottom plan view thereof; and,

FIG. 9 is a front, left and top perspective view of the bottle lid of FIG. 1, wherein a nozzle of the bottle lid is open.

The broken lines shown in the drawings are included for the purpose of illustrating portions of the bottle lid that form no part of the claimed design.

1 Claim, 9 Drawing Sheets



(56)

References Cited

U.S. PATENT DOCUMENTS

D758,127 S * 6/2016 Zhao D7/392.1
 D766,029 S * 9/2016 Lin D7/507
 D768,491 S * 10/2016 Sorensen D9/449
 D770,222 S * 11/2016 Boroski D7/392.1
 D771,990 S * 11/2016 Horowitz D7/510
 D778,666 S * 2/2017 De Leo D7/392.1
 D779,872 S * 2/2017 Bergstrom D7/392.1
 D781,104 S * 3/2017 Cerasani D7/510
 D793,164 S * 8/2017 Charlton D7/510
 D794,386 S * 8/2017 Steel D7/396.2
 D820,038 S * 6/2018 Sorensen D7/392.1
 D826,631 S * 8/2018 Baron D7/392.1
 D830,119 S * 10/2018 Sorensen D7/392.1
 D836,985 S * 1/2019 Otto D7/510
 10,172,488 B2 * 1/2019 Sorensen B65D 43/26
 D846,392 S * 4/2019 Markey D9/447
 D853,784 S * 7/2019 Wu D7/392.1
 D854,880 S * 7/2019 Meyers D7/392.1
 D872,534 S * 1/2020 Peng D7/510
 D878,147 S * 3/2020 Berresheim D7/392.1
 D878,149 S * 3/2020 Omdahl, II D7/396.2
 D878,842 S * 3/2020 Wei D7/507
 D878,853 S * 3/2020 Omdahl, II D7/392.1
 D878,855 S * 3/2020 Nucci D7/392.1
 D881,647 S * 4/2020 Wang D7/510
 D884,418 S * 5/2020 Wang D7/396.2
 D887,202 S * 6/2020 Wadsworth D7/392.1
 D887,781 S * 6/2020 Bergstrom D7/510
 D889,904 S * 7/2020 Lane D7/392.1

D889,910 S * 7/2020 Wang D7/511
 D892,557 S * 8/2020 Wang D7/510
 D892,558 S * 8/2020 Wang D7/510
 D896,024 S * 9/2020 Wang D7/392.1
 D897,149 S * 9/2020 Sorensen D7/392.1
 D898,507 S * 10/2020 Ekblom D7/392.1
 D899,187 S * 10/2020 Wang D7/510
 D899,188 S * 10/2020 Wang D7/510
 D899,189 S * 10/2020 Pan D7/510
 D899,846 S * 10/2020 Wang D7/392.1
 D900,540 S * 11/2020 Sorensen D7/392.1
 D902,648 S * 11/2020 Wang D7/392.1
 D914,456 S * 3/2021 Lin D7/511
 D918,652 S * 5/2021 Pearce D7/396.2
 D922,136 S * 6/2021 Lin D7/392.1
 D923,397 S * 6/2021 Lin D7/392.1
 D926,521 S * 8/2021 Gronkowski D7/510
 D928,558 S * 8/2021 Han D7/392.1
 11,103,108 B2 * 8/2021 Mager B01F 15/00512
 D931,041 S * 9/2021 Losito D7/392.1
 2014/0091086 A1 * 4/2014 Sorensen A47G 19/2205
 220/4.27
 2015/0201773 A1 * 7/2015 Sorensen A47J 43/27
 220/254.5

FOREIGN PATENT DOCUMENTS

CN 305159418 * 5/2019
 GB 6094172 * 7/2020
 RU 00113633 * 3/2019

* cited by examiner

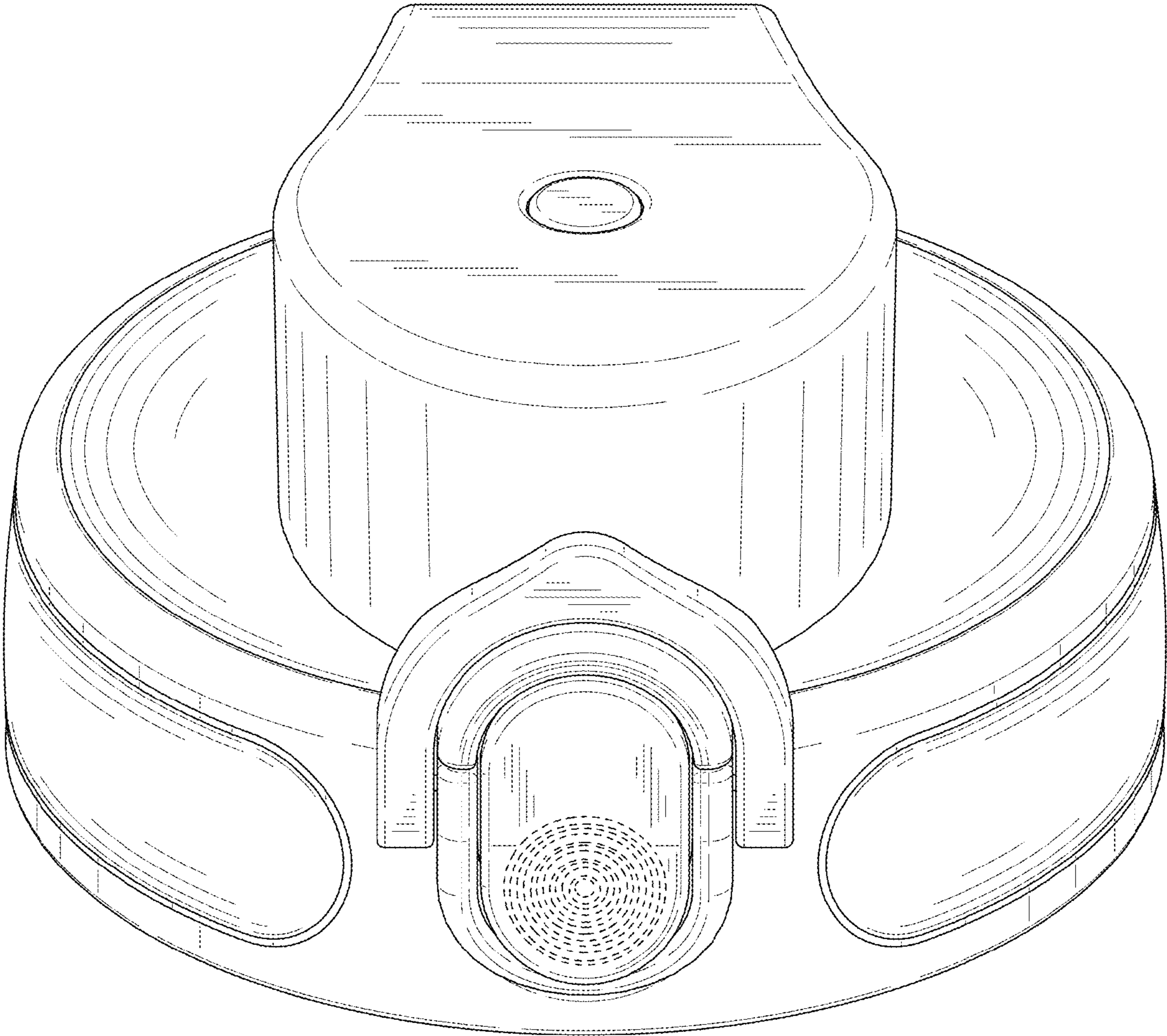


FIG. 1

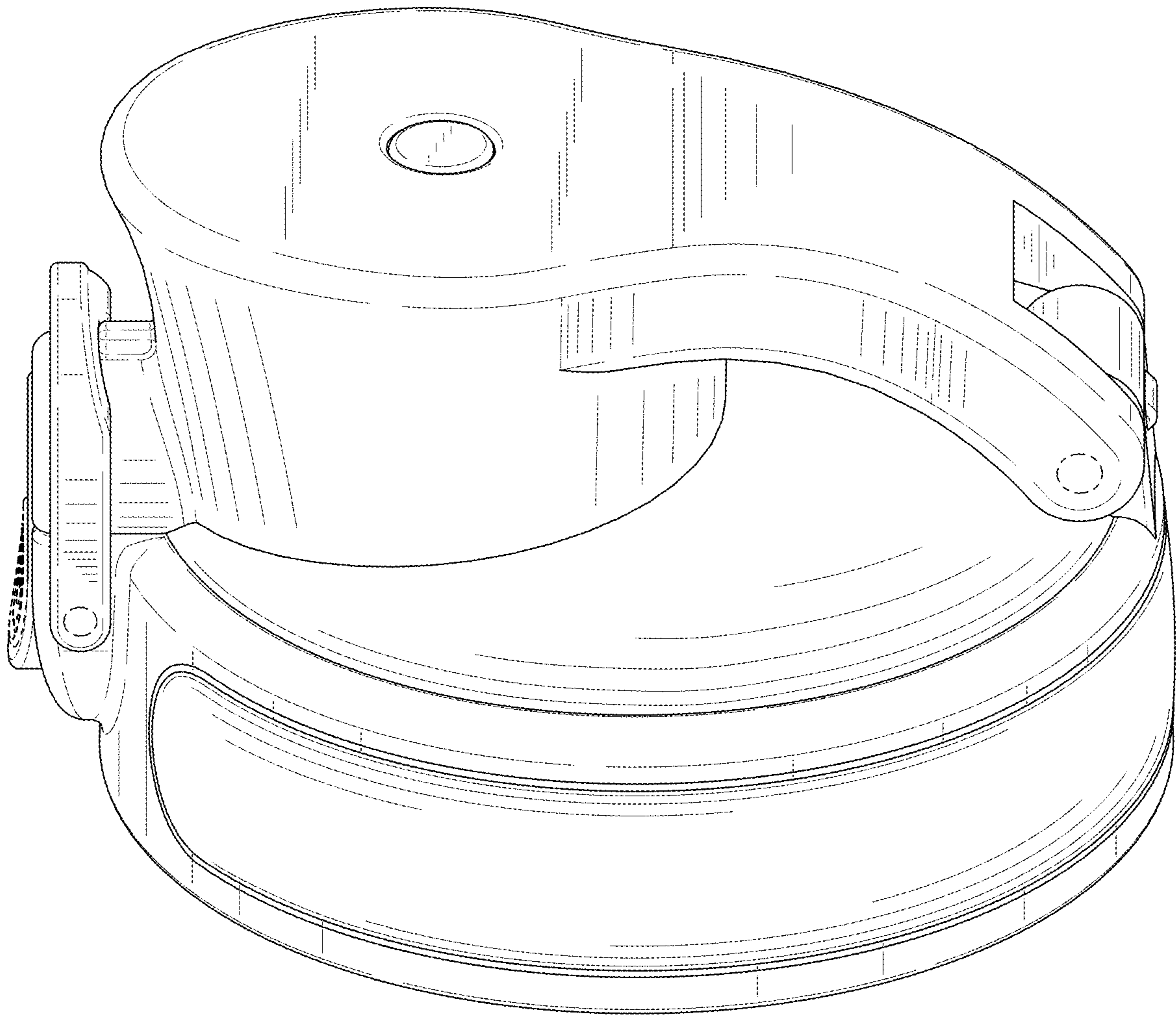


FIG. 2

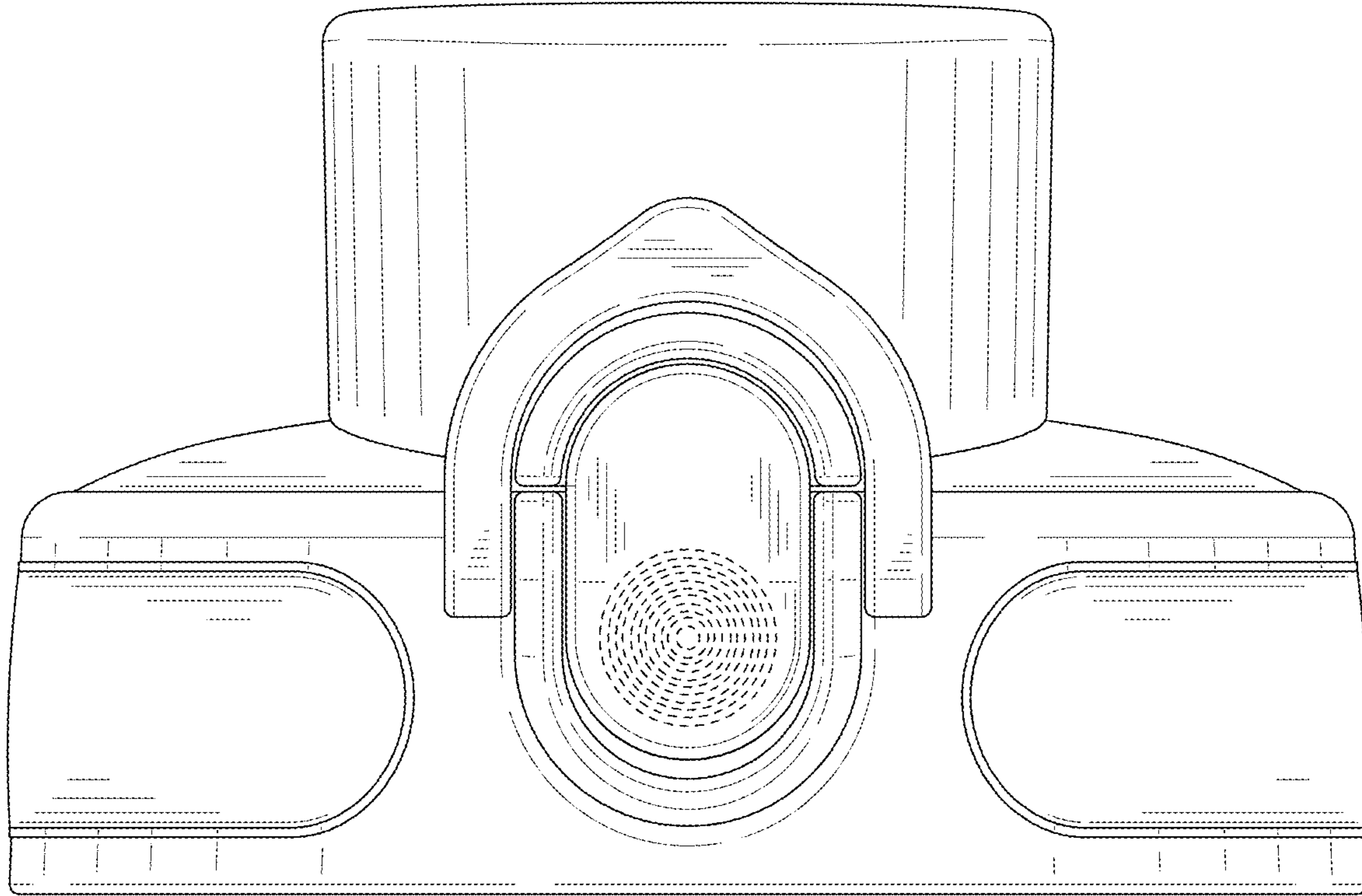


FIG. 3

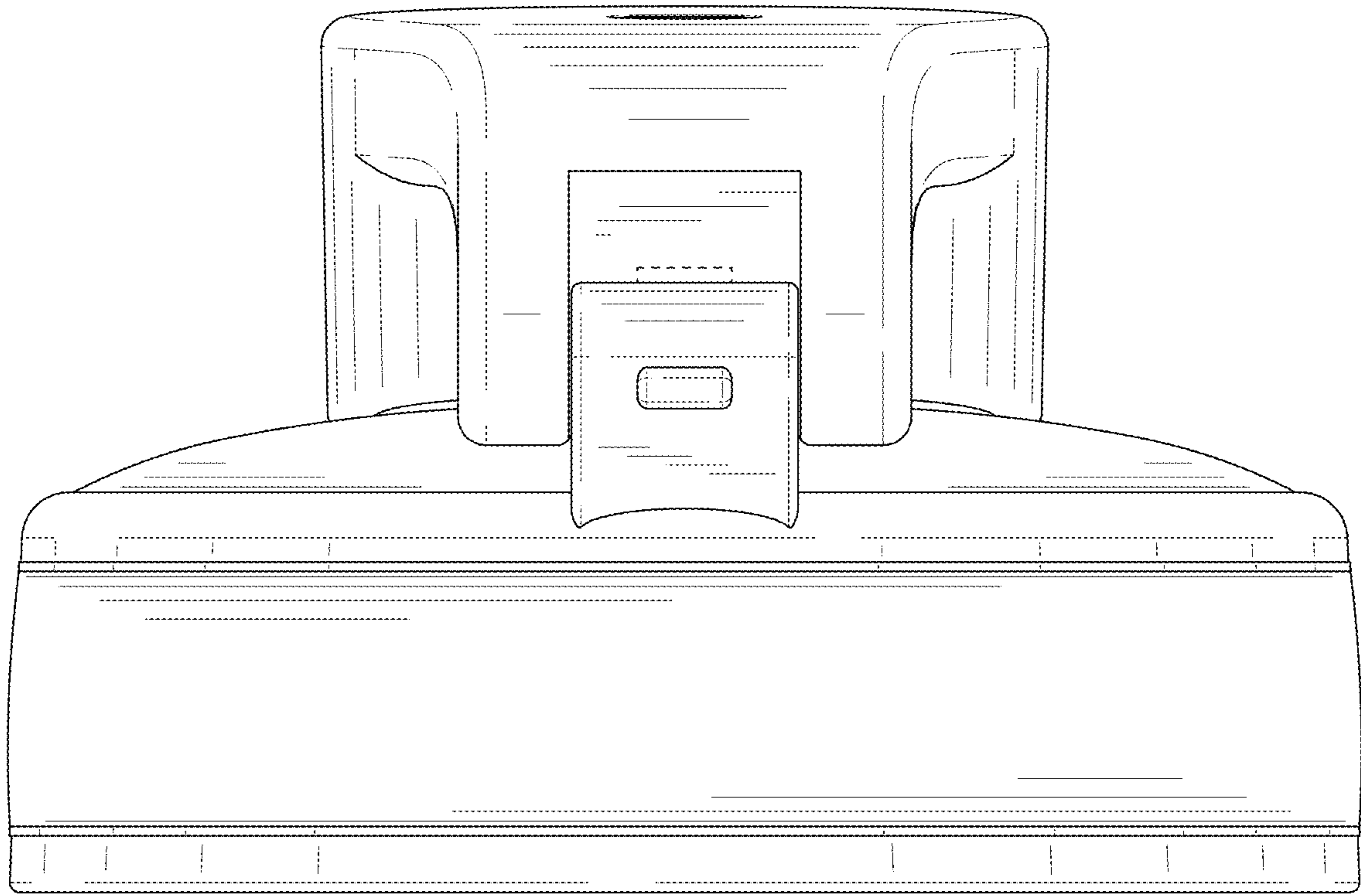


FIG. 4

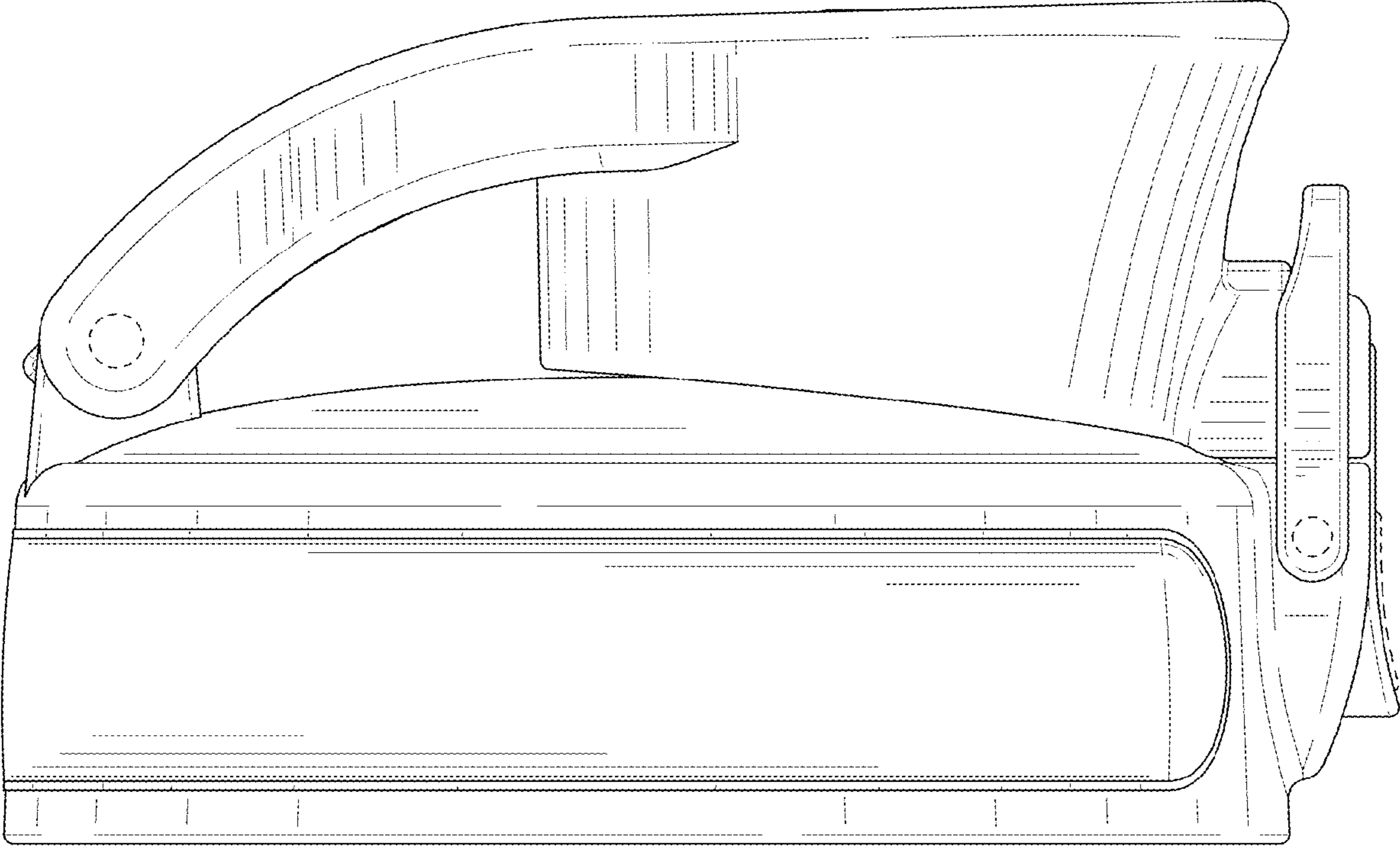


FIG. 5

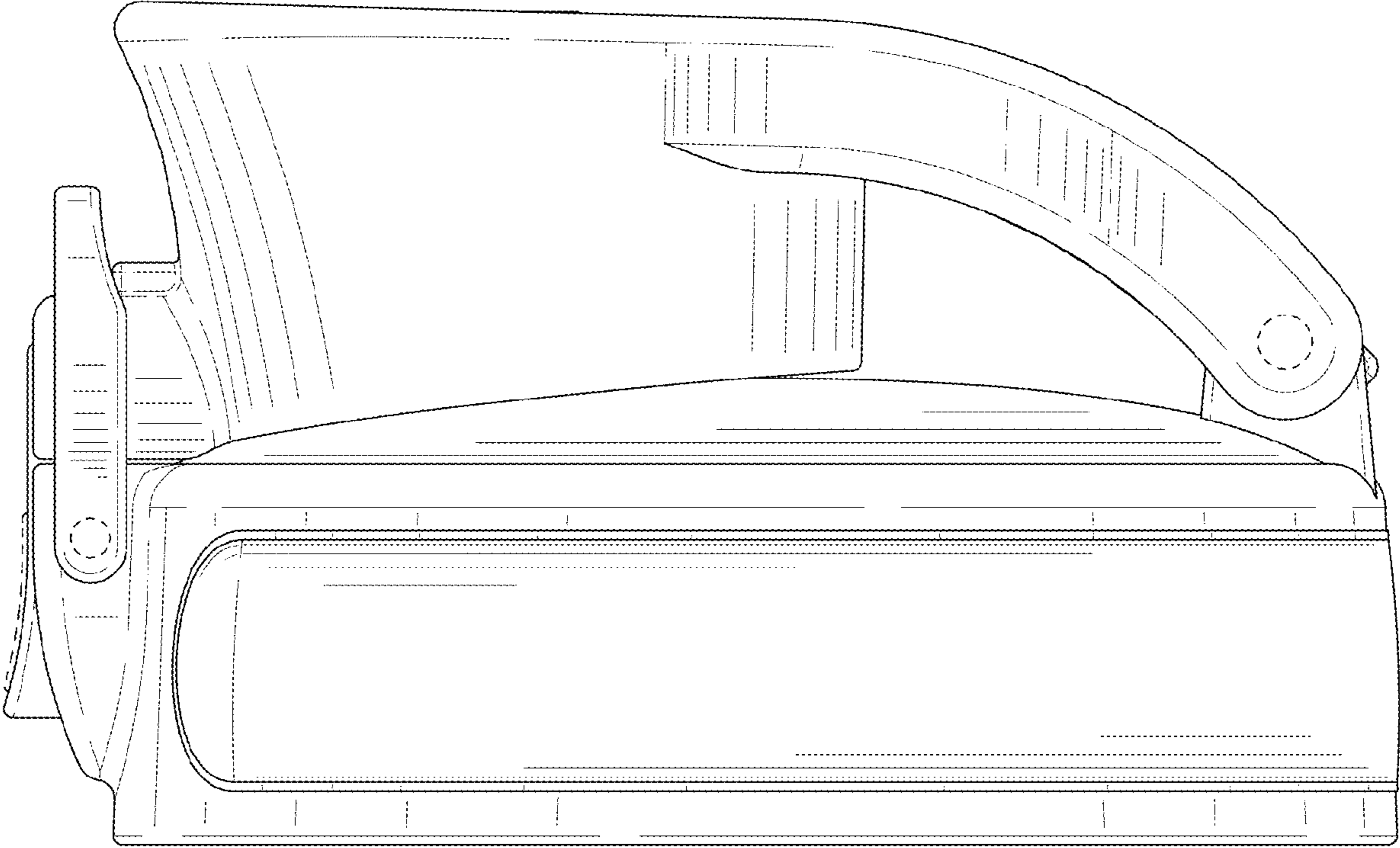


FIG. 6

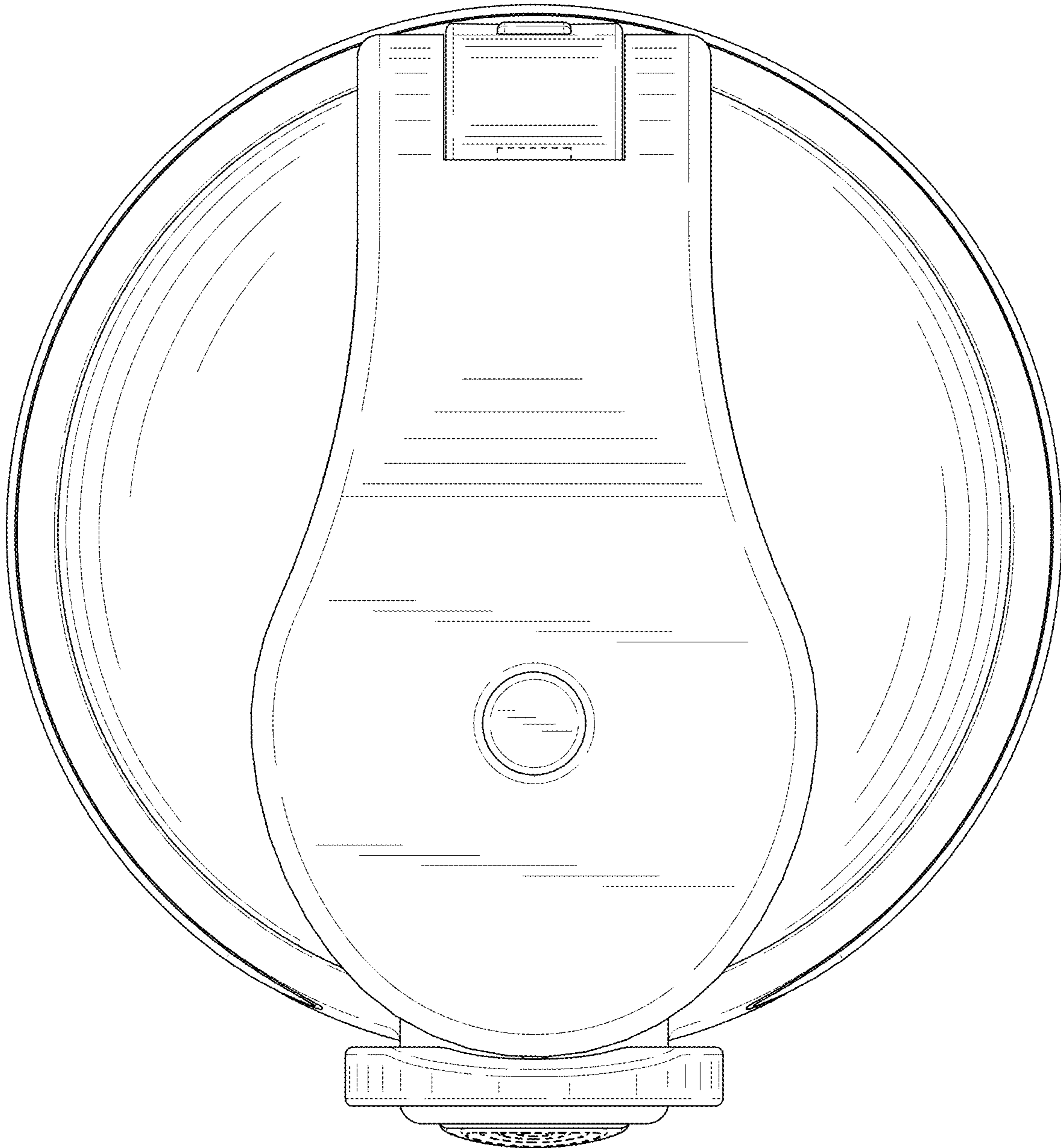


FIG. 7

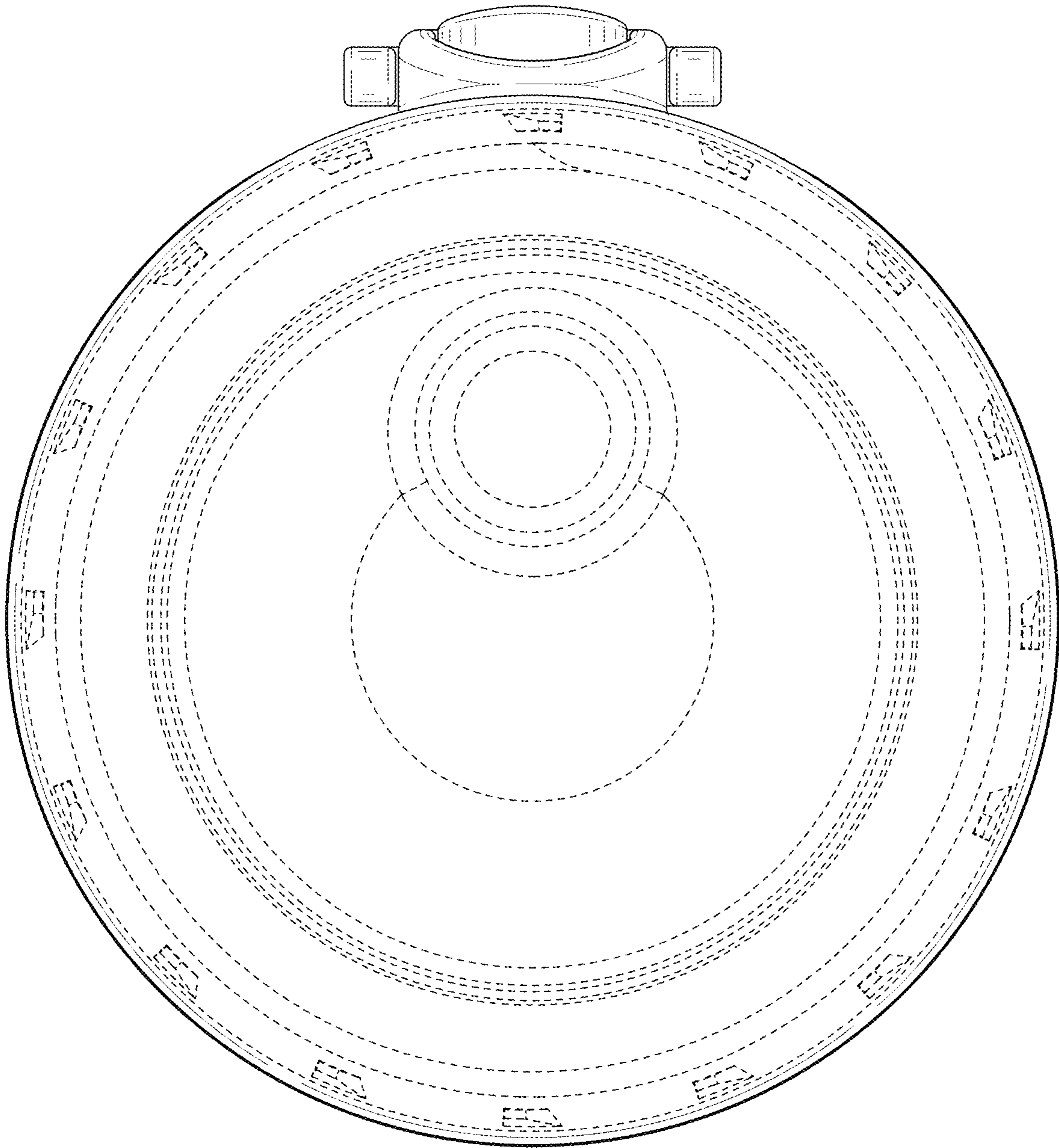


FIG. 8

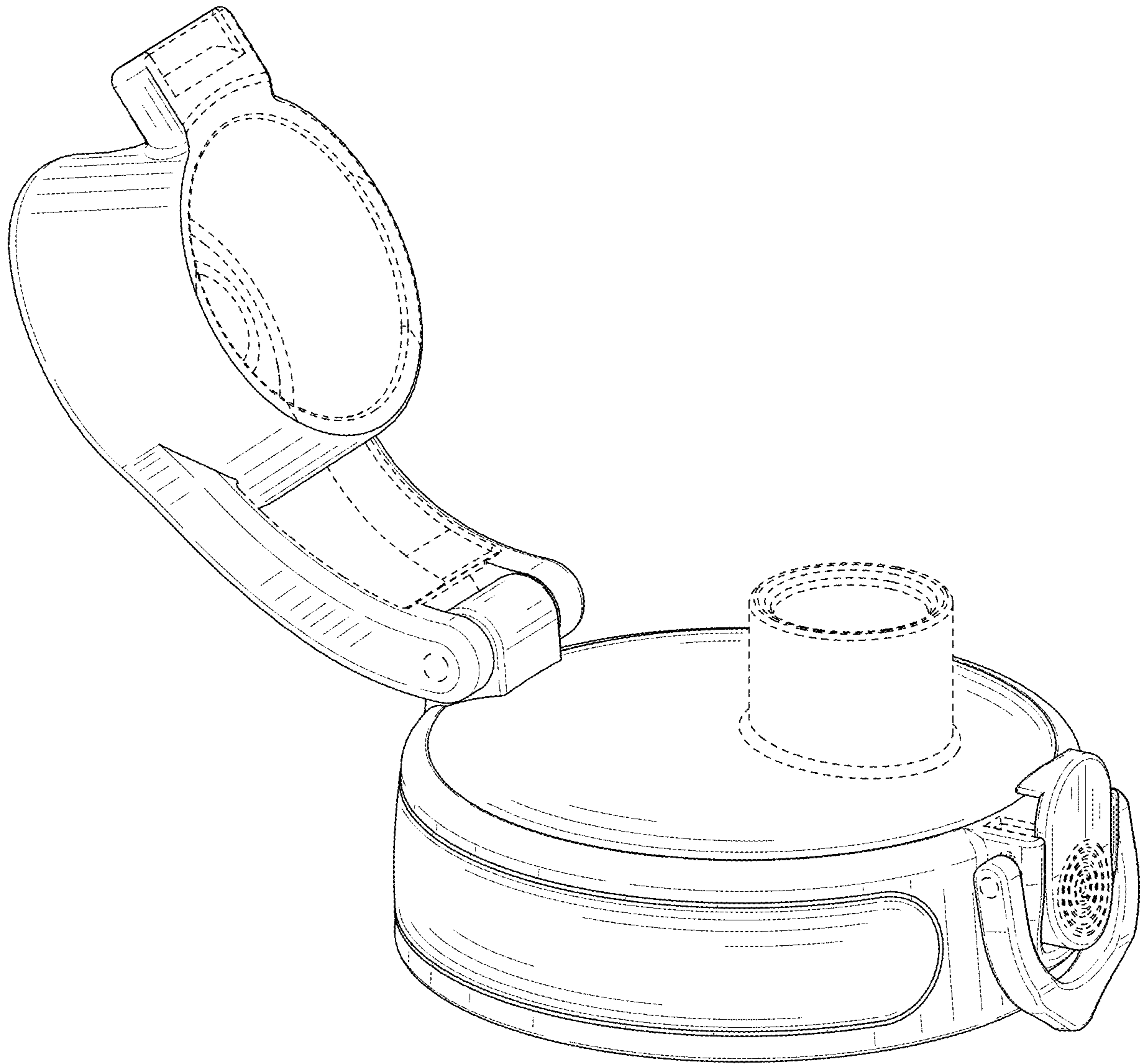


FIG. 9