



US00D958591S

(12) **United States Design Patent**
Hu

(10) **Patent No.:** **US D958,591 S**

(45) **Date of Patent:** **** Jul. 26, 2022**

(54) **BOTTLE CAP**

(71) Applicant: **Yuechun Hu**, Guangdong (CN)

(72) Inventor: **Yuechun Hu**, Guangdong (CN)

(**) Term: **15 Years**

(21) Appl. No.: **29/748,504**

(22) Filed: **Aug. 29, 2020**

(51) **LOC (13) Cl.** **07-99**

(52) **U.S. Cl.**
USPC **D7/392.1; D7/396.2; D7/510**

(58) **Field of Classification Search**
USPC D7/300, 306, 365, 376, 392, 392.1,
D7/396.2, 57, 509, 510, 511, 607, 665,
D7/666; D9/434, 435, 439, 440, 443,
D9/450
CPC A47G 19/2272; B65D 43/0225
See application file for complete search history.

(56) **References Cited**

U.S. PATENT DOCUMENTS

D608,640 S	*	1/2010	Carreno	D9/449
D668,503 S	*	10/2012	Kotani	D7/392.1
D686,871 S	*	7/2013	Lane	D9/449
D686,872 S	*	7/2013	Lane	D9/449
D690,557 S	*	10/2013	Carreno	D7/510
D758,790 S	*	6/2016	Boroski	D7/392.1

D839,044 S	*	1/2019	Potter	D7/392.1
D902,647 S	*	11/2020	McCabe	D7/392.1
D902,648 S	*	11/2020	Wang	D9/449
D921,422 S	*	6/2021	McCabe	D9/449
D924,623 S	*	7/2021	McCabe	D9/449
D925,287 S	*	7/2021	Gilmore, III	D7/532
D925,972 S	*	7/2021	Gilmore, III	D7/392.1
D928,558 S	*	8/2021	Han	D7/392.1
D941,086 S	*	1/2022	Zhou	D7/392.1
D942,808 S	*	2/2022	Wang	D7/392.1
D943,343 S	*	2/2022	Wang	D7/392.1
2013/0319966 A1	*	12/2013	Lane	A45F 3/20 215/237

* cited by examiner

Primary Examiner — S. Bryan Reinholdt, Jr.

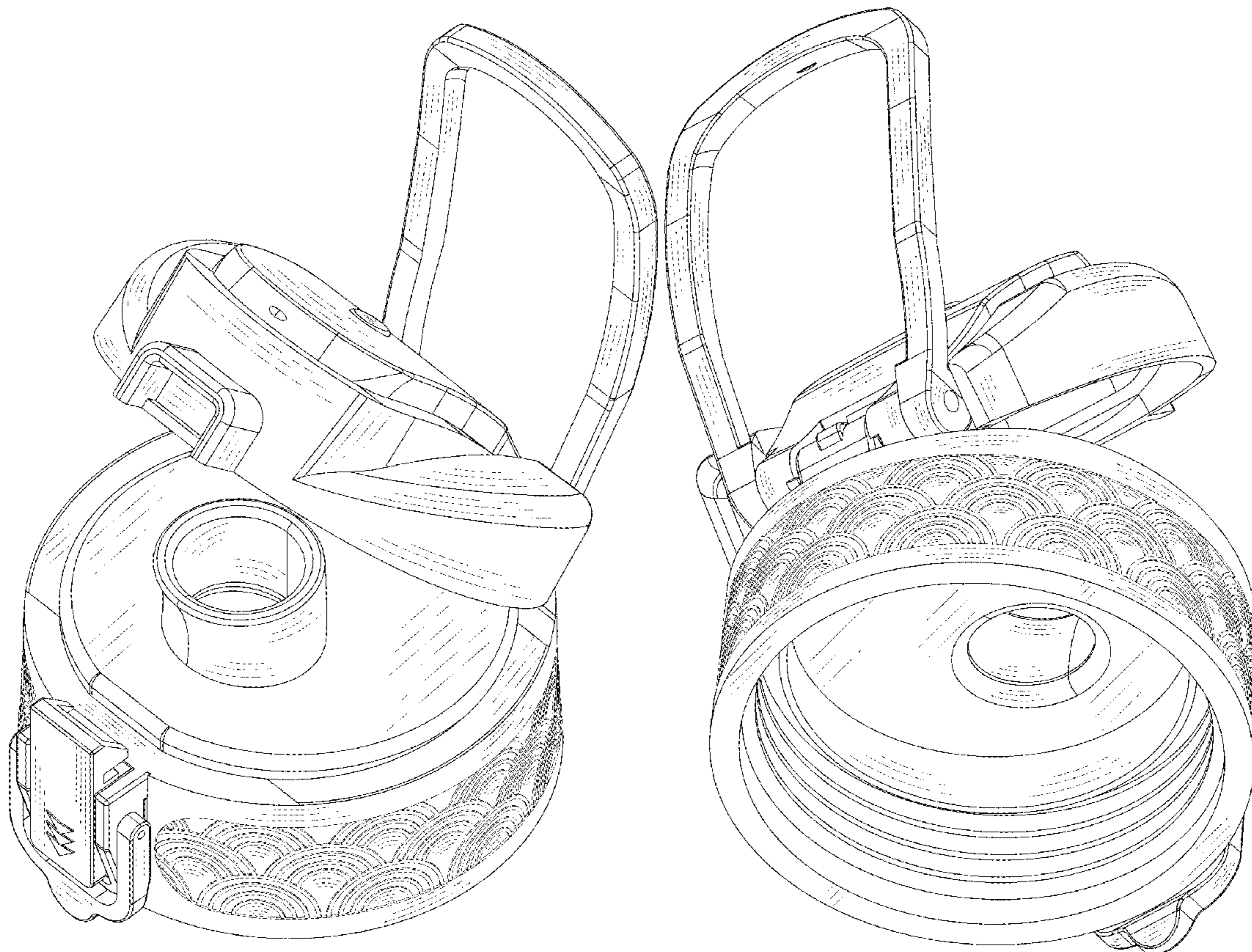
(57) **CLAIM**

The ornamental design for a bottle cap, as shown and described.

DESCRIPTION

FIG. 1 is a perspective view of a bottle cap showing my new design;
FIG. 2 is a front elevational view thereof;
FIG. 3 is a rear elevational view thereof;
FIG. 4 is a left side elevational view thereof;
FIG. 5 is a right side elevational view thereof;
FIG. 6 is a top plan view thereof;
FIG. 7 is a bottom plan view thereof; and,
FIG. 8 is another perspective view thereof.

1 Claim, 8 Drawing Sheets



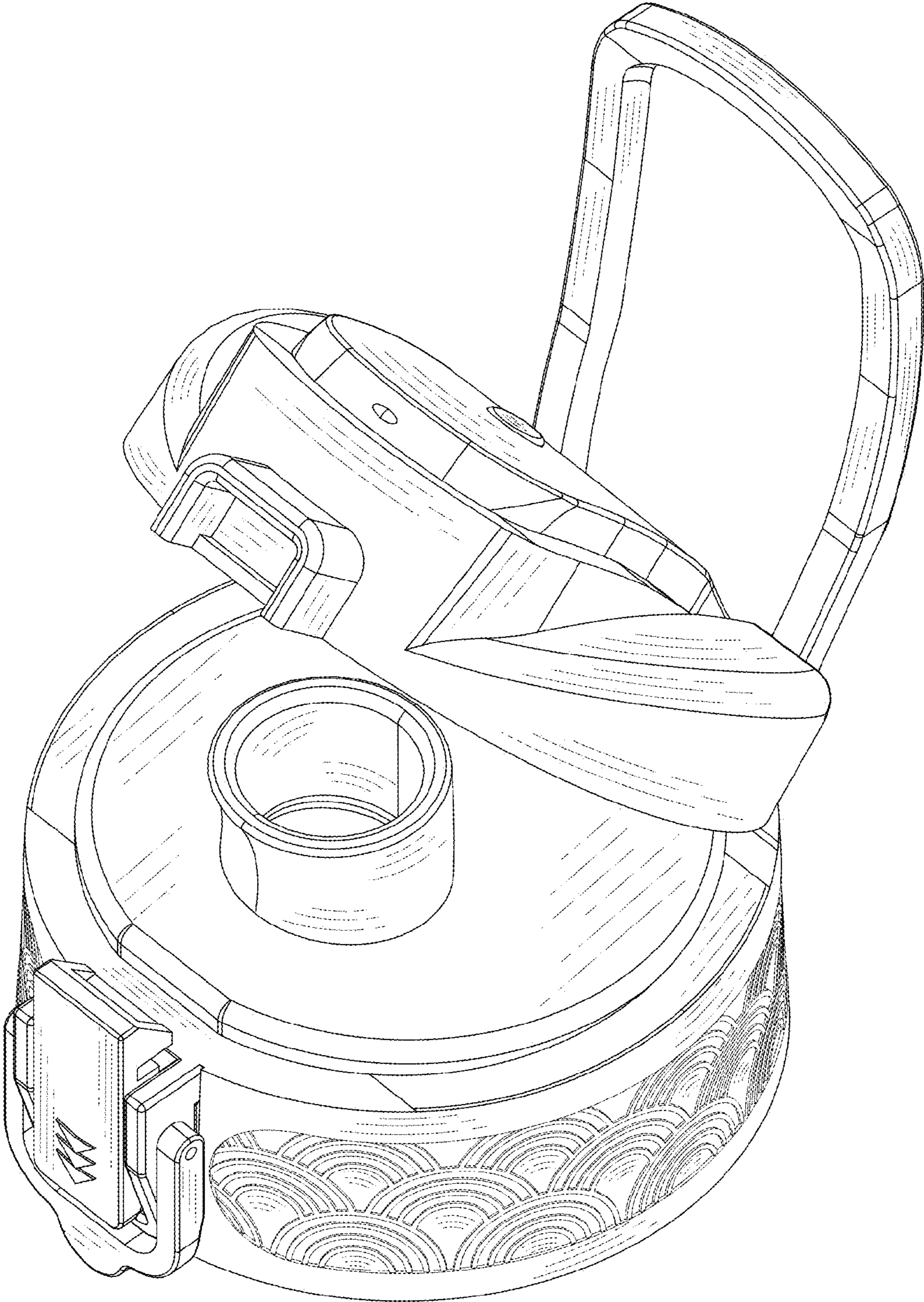


FIG.1

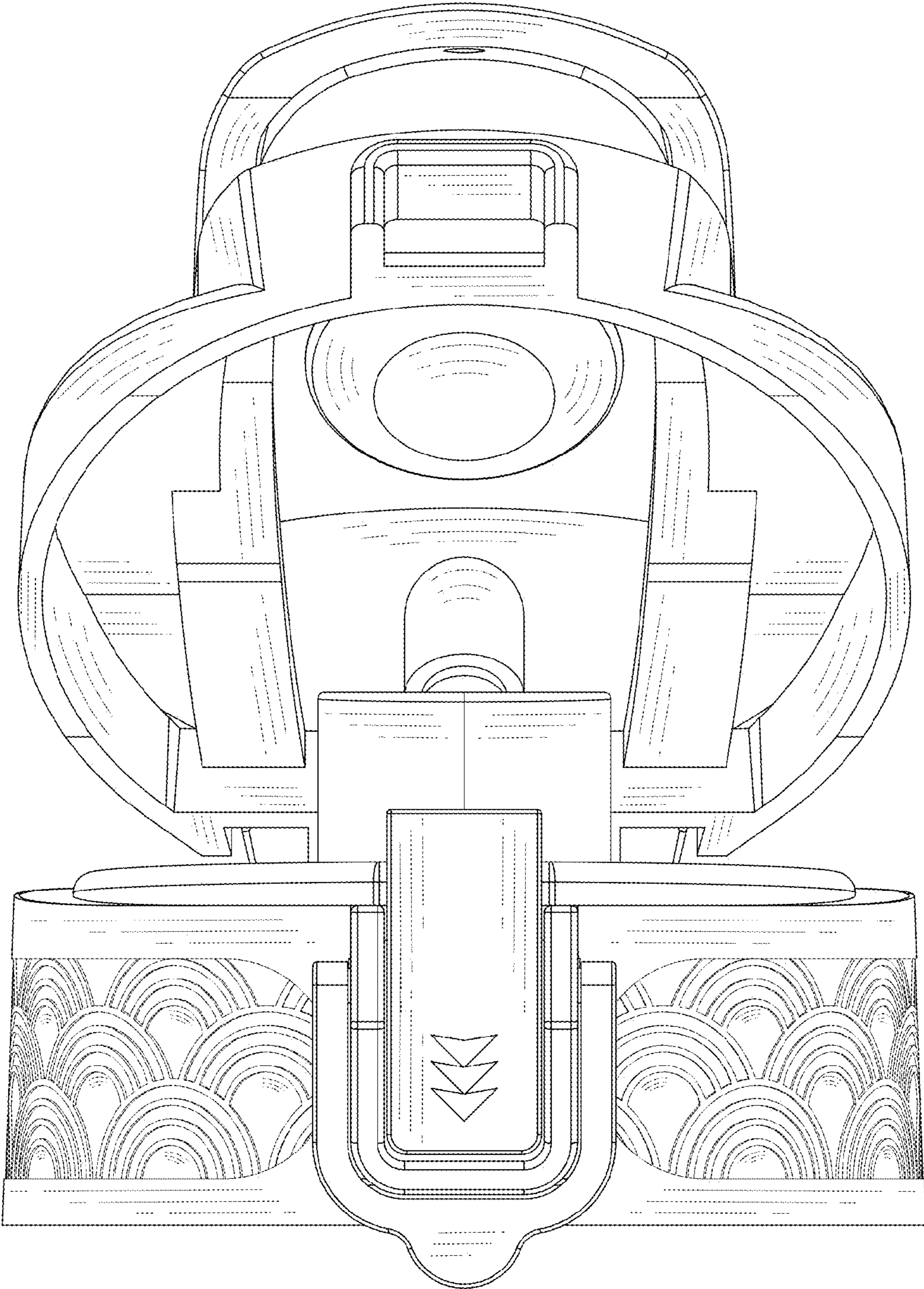


FIG.2

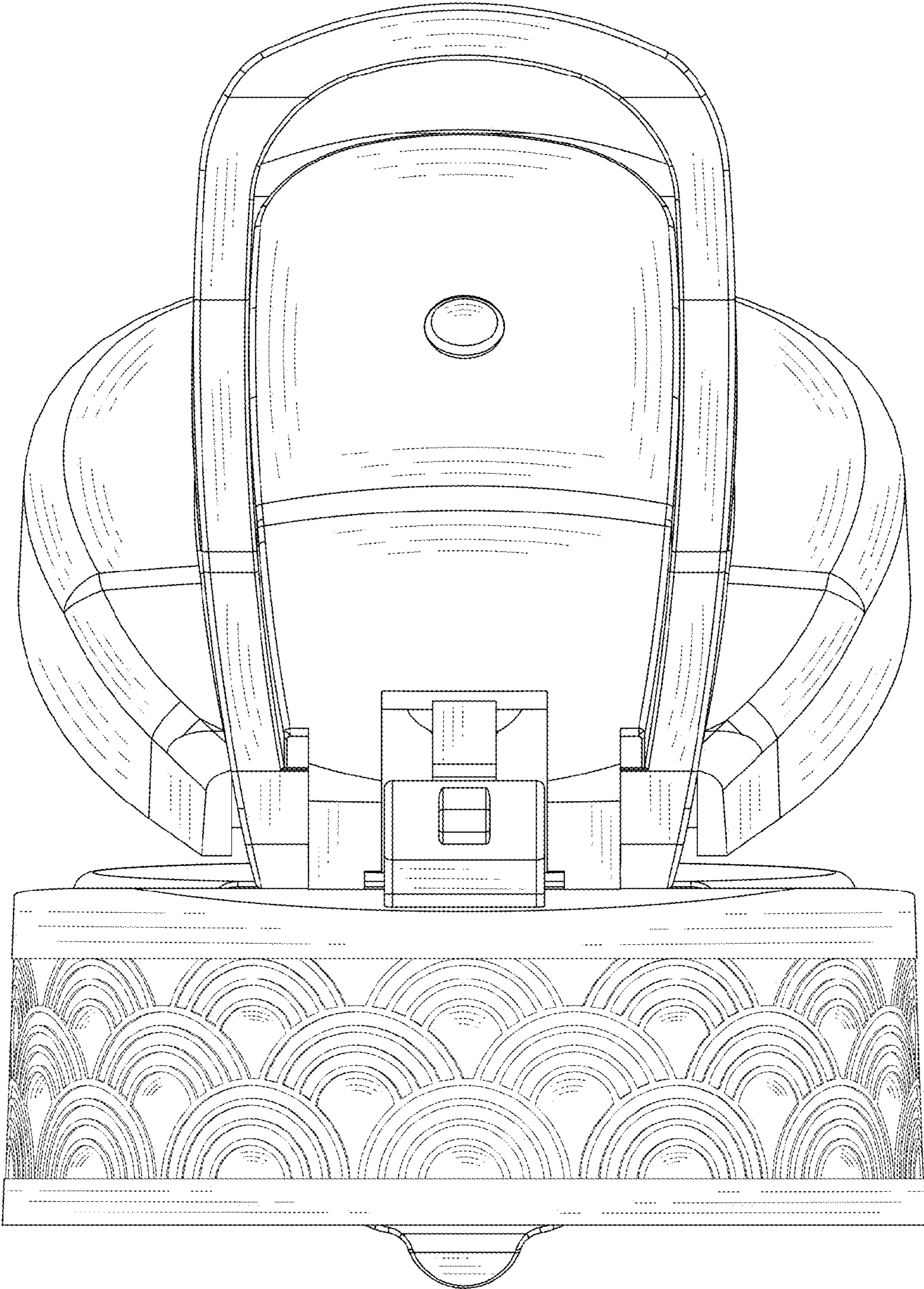


FIG.3

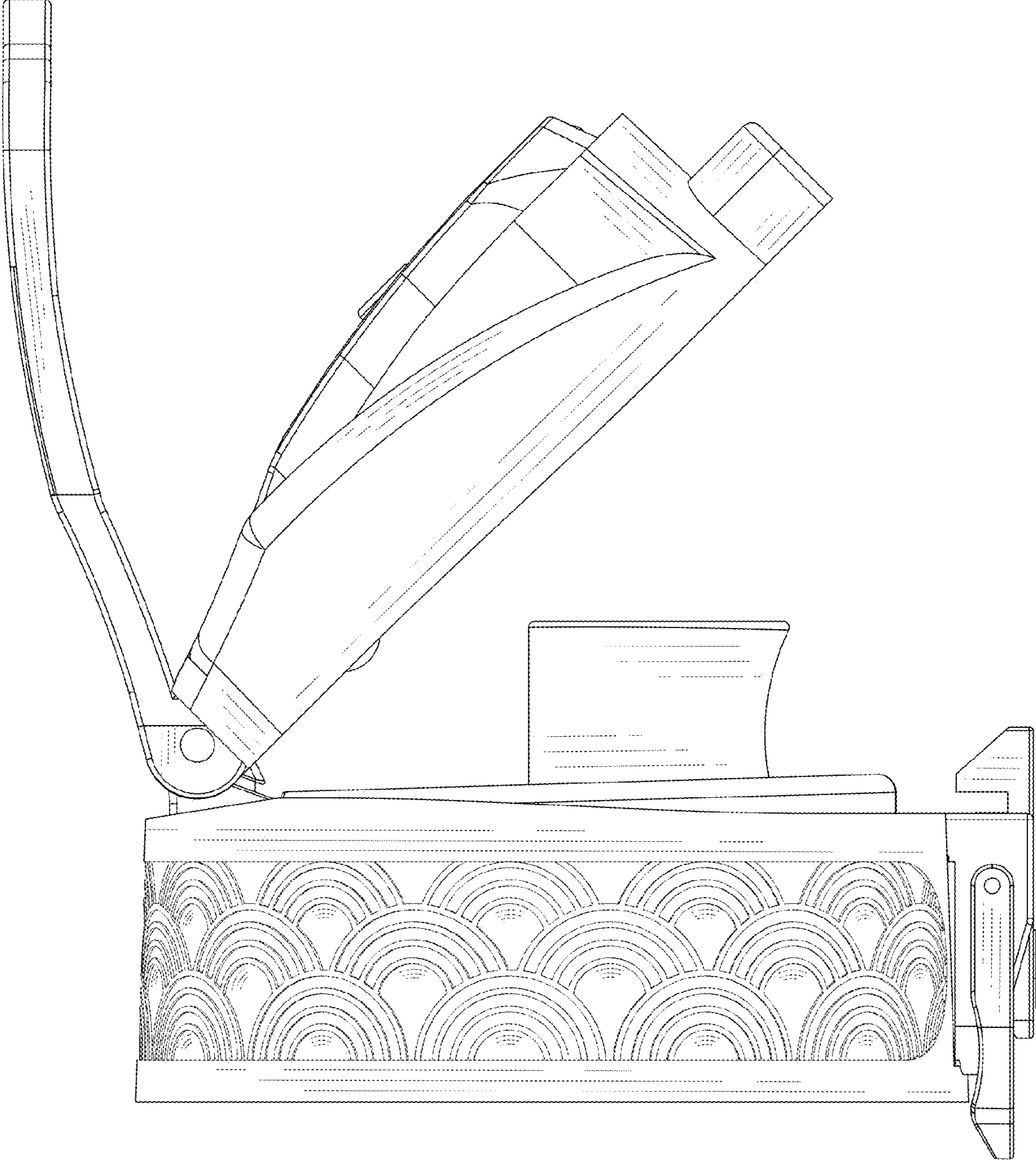


FIG.4

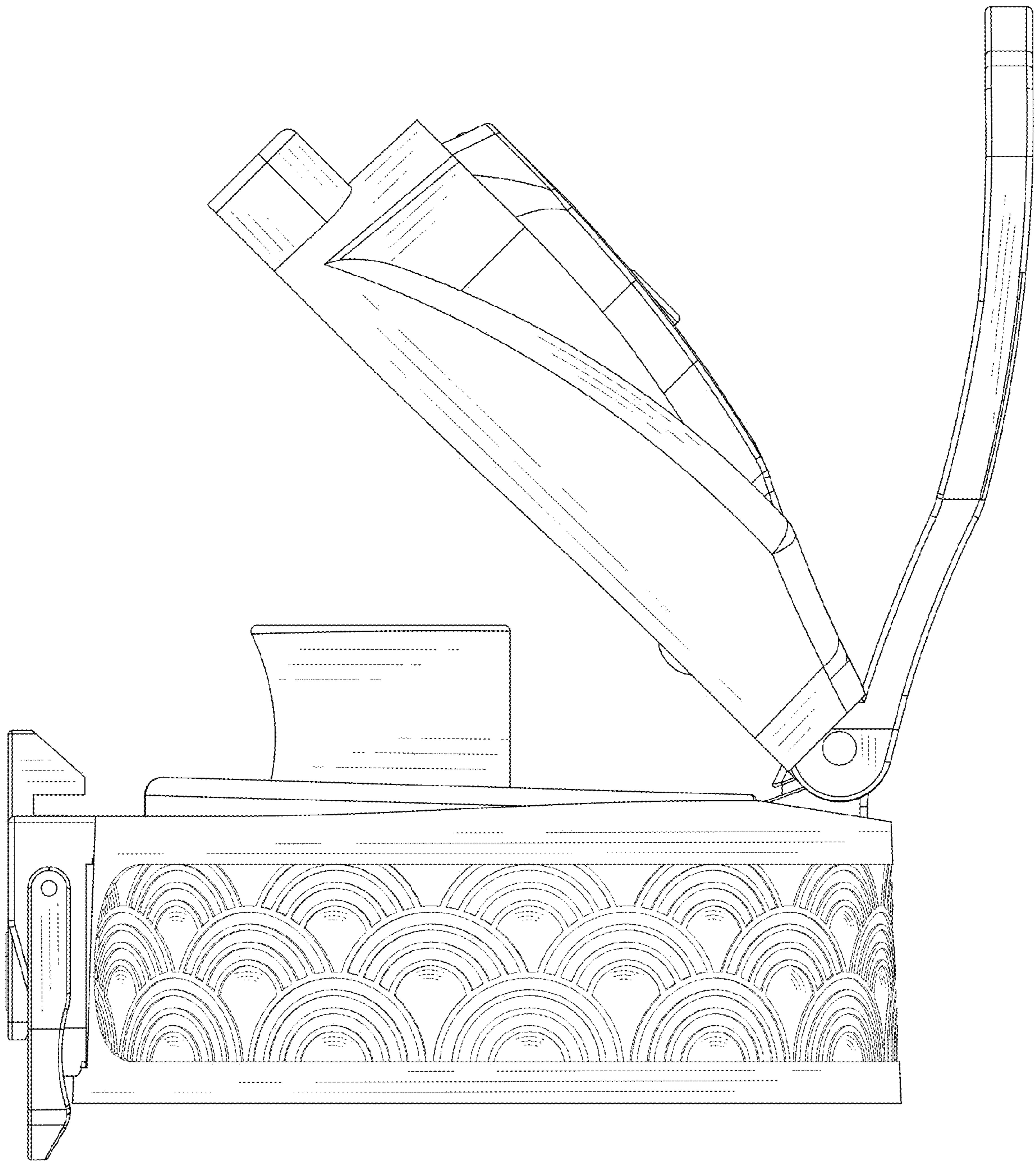


FIG.5

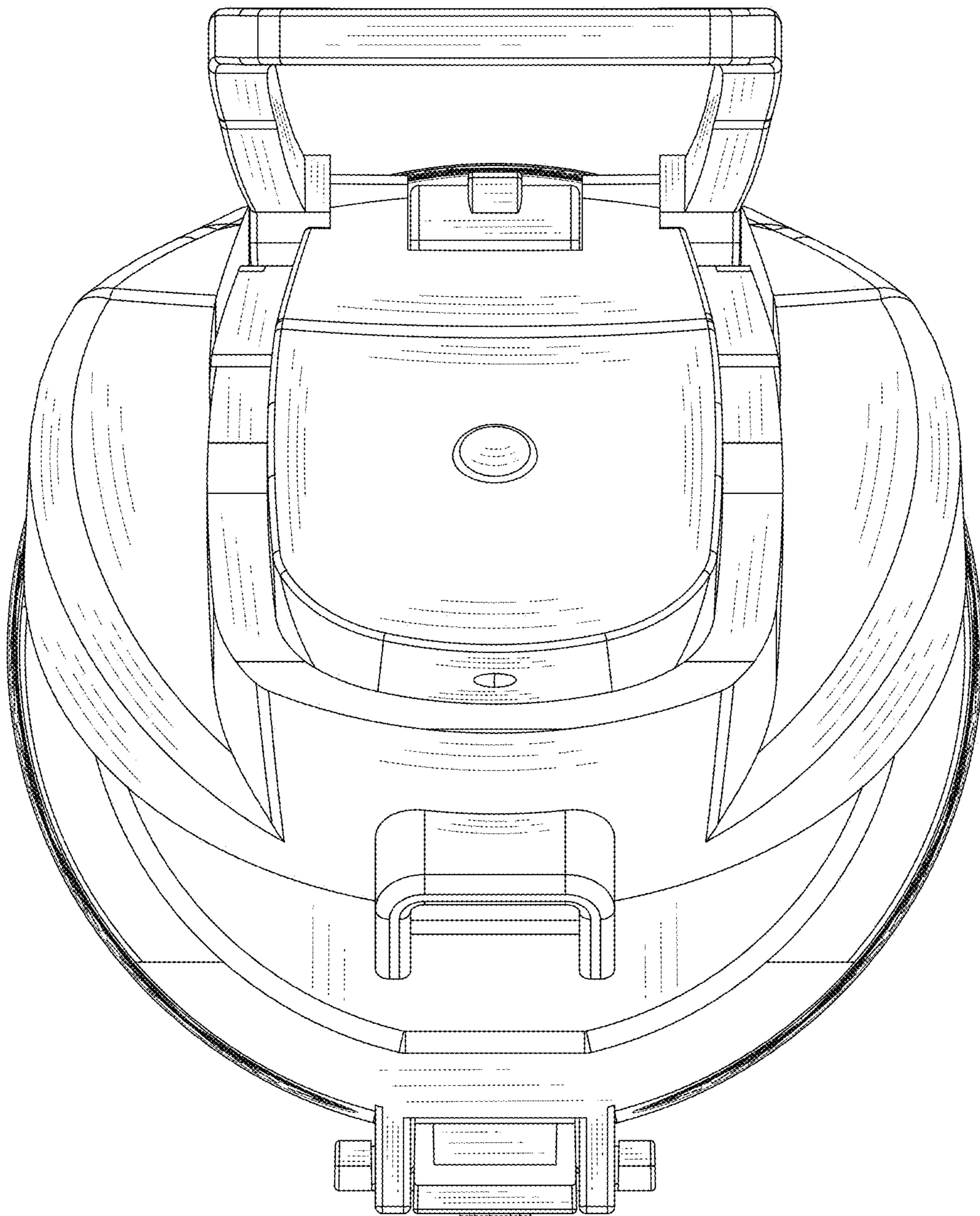


FIG.6

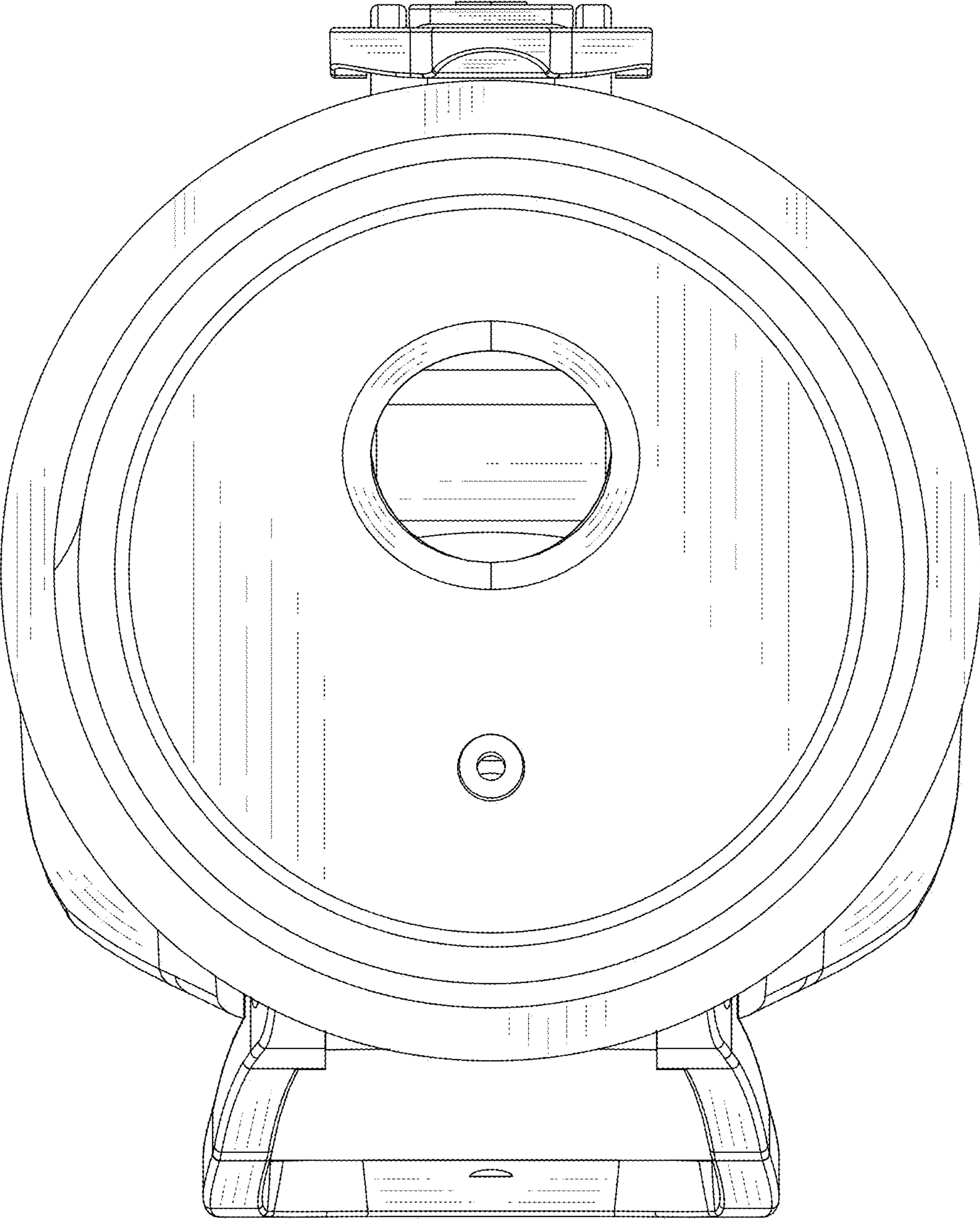


FIG.7

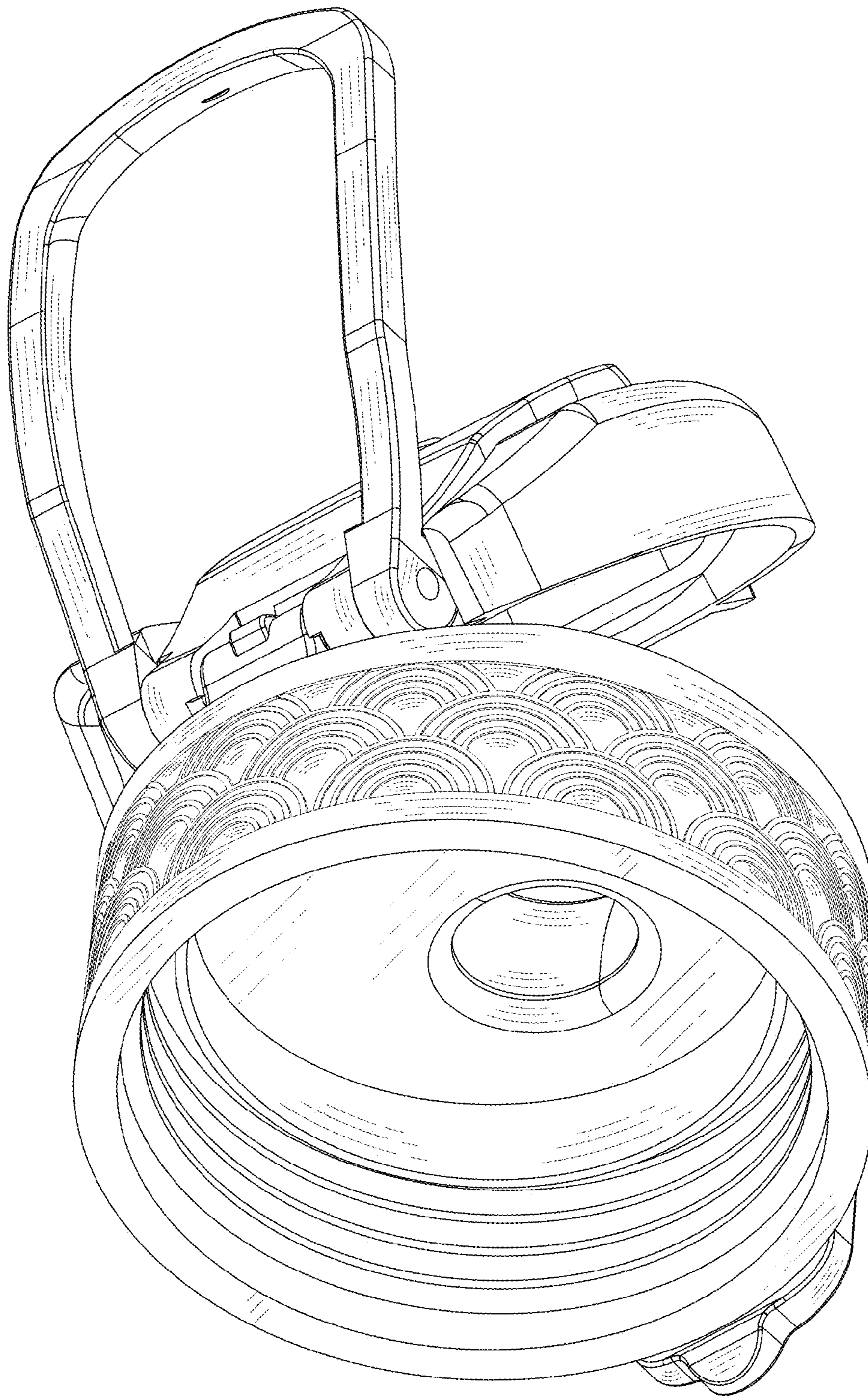


FIG.8