



US00D958590S

(12) **United States Design Patent**
Bergström

(10) **Patent No.:** **US D958,590 S**

(45) **Date of Patent:** **** Jul. 26, 2022**

(54) **LID FOR A SHAKER**

(71) Applicant: **Herobility AB**, Västerås (SE)

(72) Inventor: **Mikael Bergström**, Västerås (SE)

(73) Assignee: **Herobility AB**, Västerås (SE)

(**) Term: **15 Years**

(21) Appl. No.: **29/723,692**

(22) Filed: **Feb. 10, 2020**

Related U.S. Application Data

(62) Division of application No. 29/666,165, filed on Oct. 10, 2018, now Pat. No. Des. 878,841.

(30) **Foreign Application Priority Data**

Apr. 11, 2018 (EM) 005231040-0002
Apr. 11, 2018 (EM) 005231040-0006
Apr. 11, 2018 (EM) 005231040-0009
Apr. 11, 2018 (EM) 005231040-0010

(51) **LOC (13) Cl.** **07-01**

(52) **U.S. Cl.**
USPC **D7/392.1; D7/396.2**

(58) **Field of Classification Search**
USPC D7/387, 392.1, 396.2, 393, 394, 397,
D7/398, 510, 511, 213, 533, 536;
D9/435, 436, 439, 440, 449
CPC A47G 19/22; A47G 19/2211;
A47G 19/2222; A45F 3/16; B65D 41/04
See application file for complete search history.

(56) **References Cited**

U.S. PATENT DOCUMENTS

3,411,659 A 11/1968 Seifert
D272,793 S 2/1984 Appel
D408,283 S * 4/1999 Tucker D9/435

D415,681 S * 10/1999 Yourist D9/434
D424,937 S * 5/2000 Tucker D9/435
D512,880 S 12/2005 de Groote
D534,799 S * 1/2007 Henry D9/435
D550,078 S * 9/2007 Henry D9/435
D565,950 S * 4/2008 Mitchell D9/454
D629,641 S * 12/2010 Kuan D7/354
D652,256 S 1/2012 Eyal
D688,028 S * 8/2013 Nardiello D1/116
D708,059 S * 7/2014 Hickey D9/435
D729,569 S 5/2015 Herbst
D736,617 S * 8/2015 Sy D9/429
D738,216 S * 9/2015 Martz D9/451
D738,725 S * 9/2015 Isaris D9/452
D747,936 S 1/2016 Chitayat
D748,943 S 2/2016 Miller
D756,718 S 5/2016 Breit
D799,888 S * 10/2017 McClory D7/375
D799,889 S * 10/2017 McClory D7/375
D799,890 S * 10/2017 McClory D7/375
D808,711 S 1/2018 Joseph
D811,810 S 3/2018 Joseph

(Continued)

Primary Examiner — Jae Liang
(74) *Attorney, Agent, or Firm* — Dilworth & Barrese, LLP.

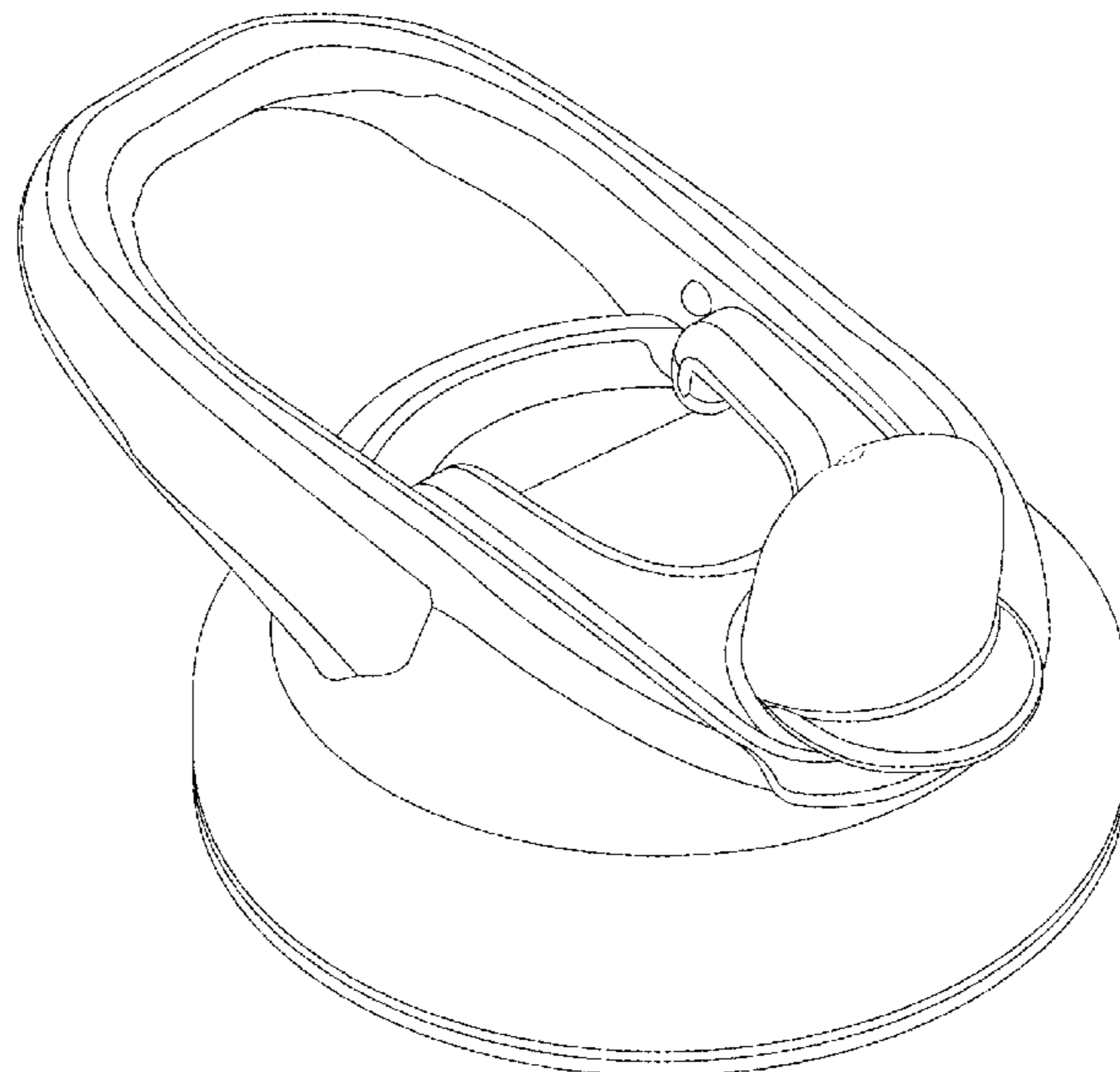
(57) **CLAIM**

The ornamental design for a lid for a shaker, as shown and described.

DESCRIPTION

FIG. 1 is a left side front perspective view from above of a lid for a shaker showing my new design;
FIG. 2 is a left side elevational view of the lid of FIG. 1;
FIG. 3 is a right side elevational view of the lid of FIGS. 1 and 2;
FIG. 4 is a front elevational view of the lid of FIGS. 1-3;
FIG. 5 is a rear elevational view of the lid of FIGS. 1-4;
FIG. 6 is a top plan view of the lid of FIGS. 1-5; and,
FIG. 7 is a bottom plan view of the lid of FIGS. 1-6.

1 Claim, 7 Drawing Sheets



(56)

References Cited

U.S. PATENT DOCUMENTS

D814,855	S	4/2018	Hammer	
D814,881	S	4/2018	Kolano	
D815,900	S	4/2018	Guan	
D817,084	S	5/2018	Hammer	
D821,146	S	6/2018	Steinmann	
D832,035	S *	10/2018	Scheiber	D7/396.2
D836,409	S	12/2018	Silsby	
D836,985	S	1/2019	Otto	
D842,051	S	3/2019	Laustsen	
D843,174	S	3/2019	Zhang	
D845,073	S	4/2019	Liu	
D848,792	S	5/2019	Duvigneau	
D860,734	S	9/2019	Zappala	
2015/0201775	A1	7/2015	Sorensen	
2019/0161251	A1	5/2019	Fang	

* cited by examiner

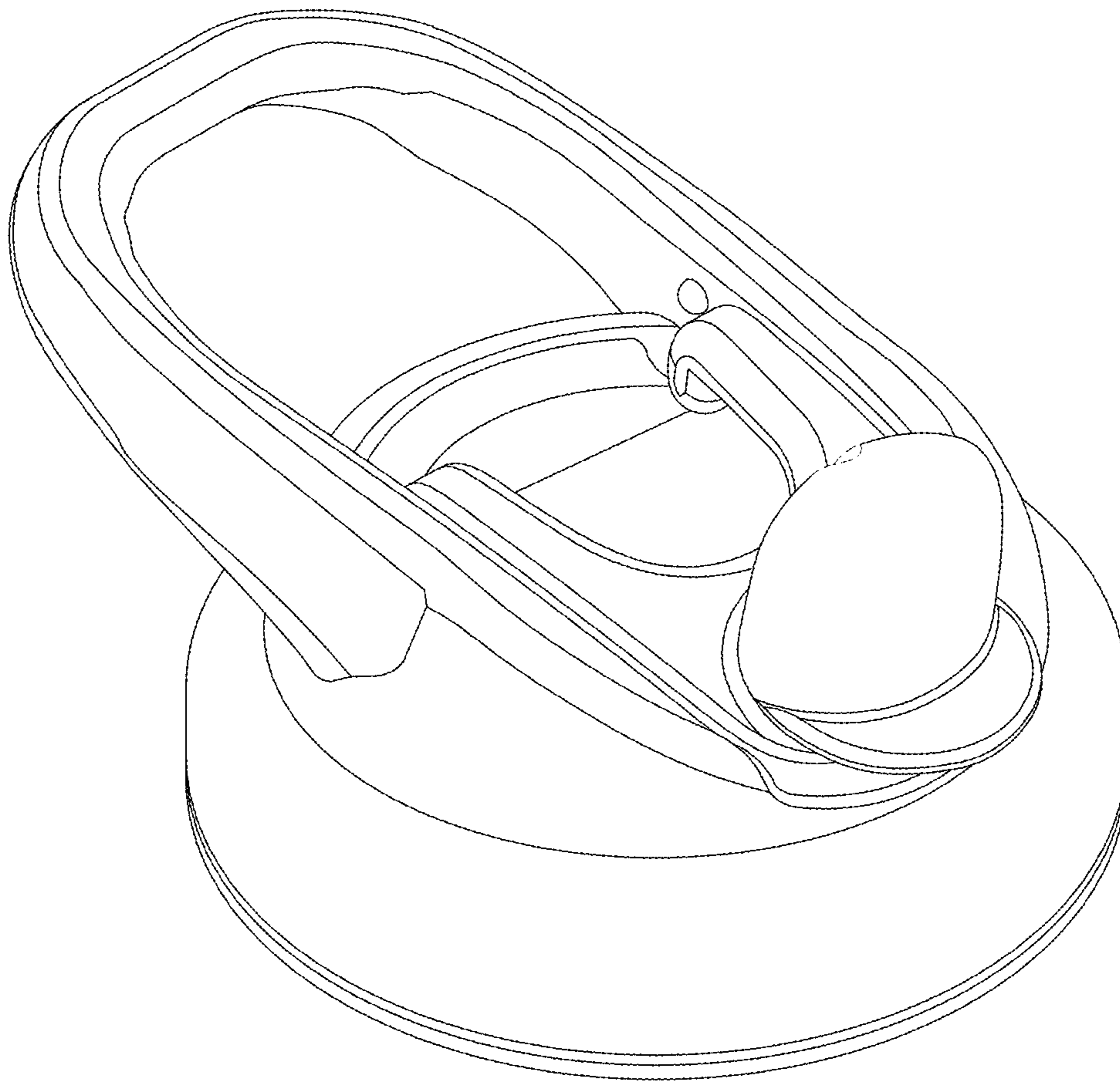


FIG. 1

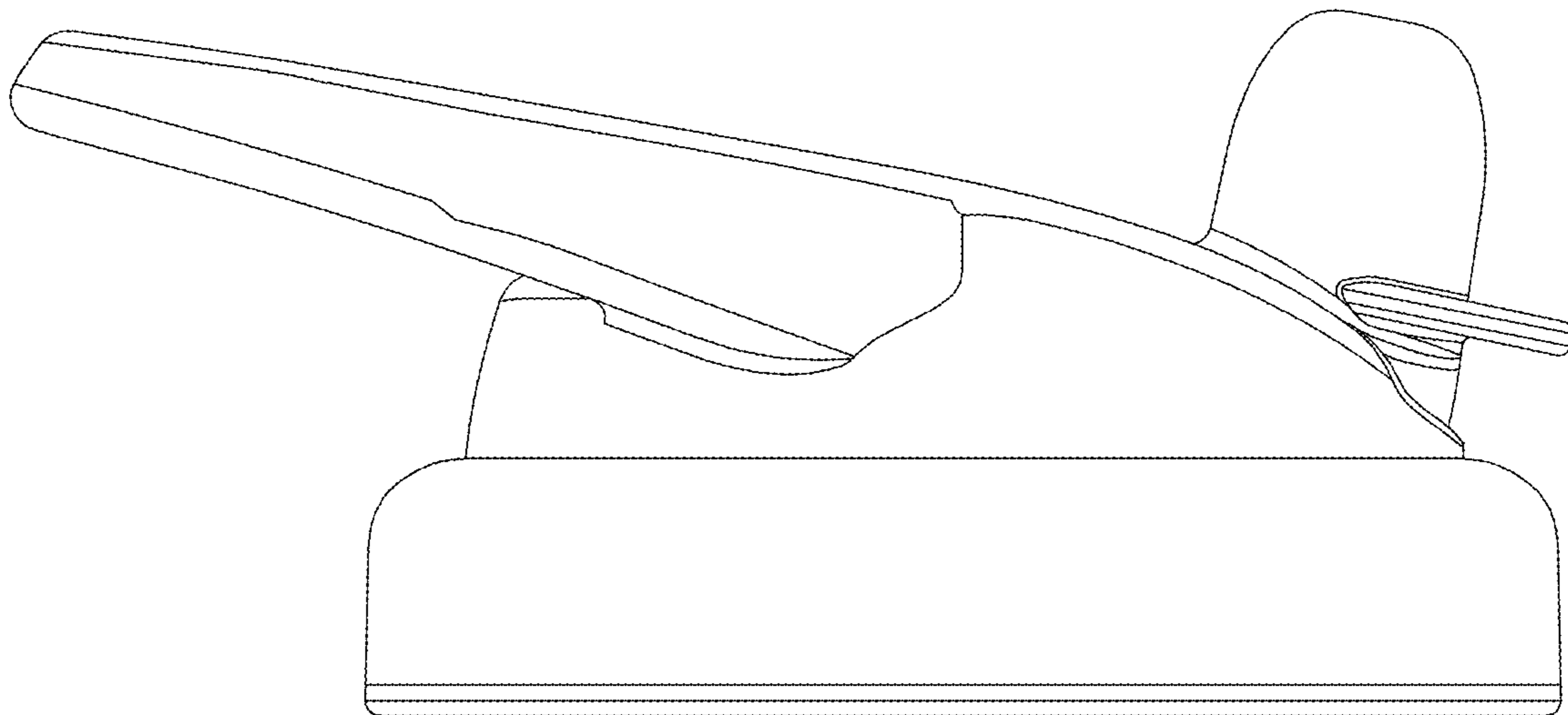


FIG. 2

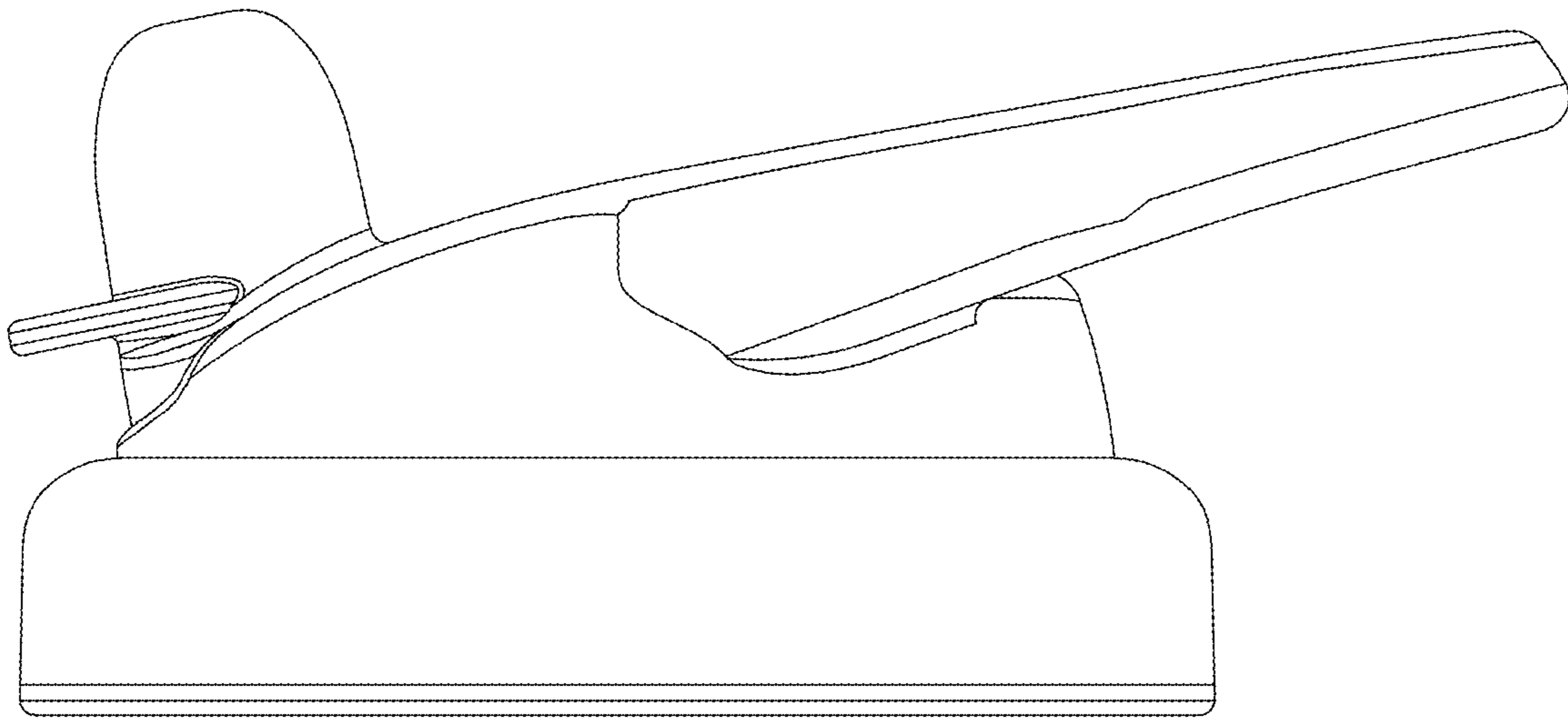


FIG. 3

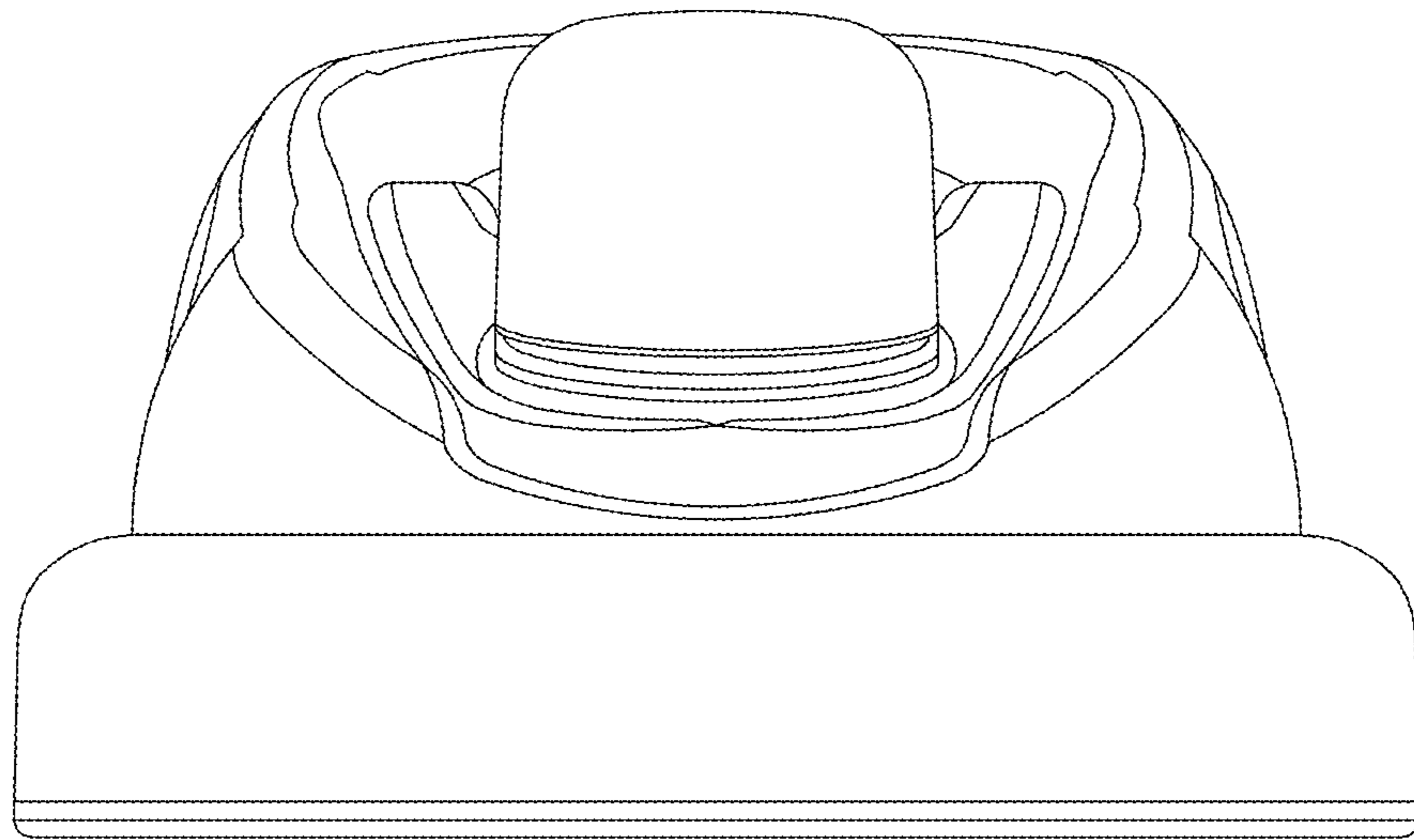


FIG. 4

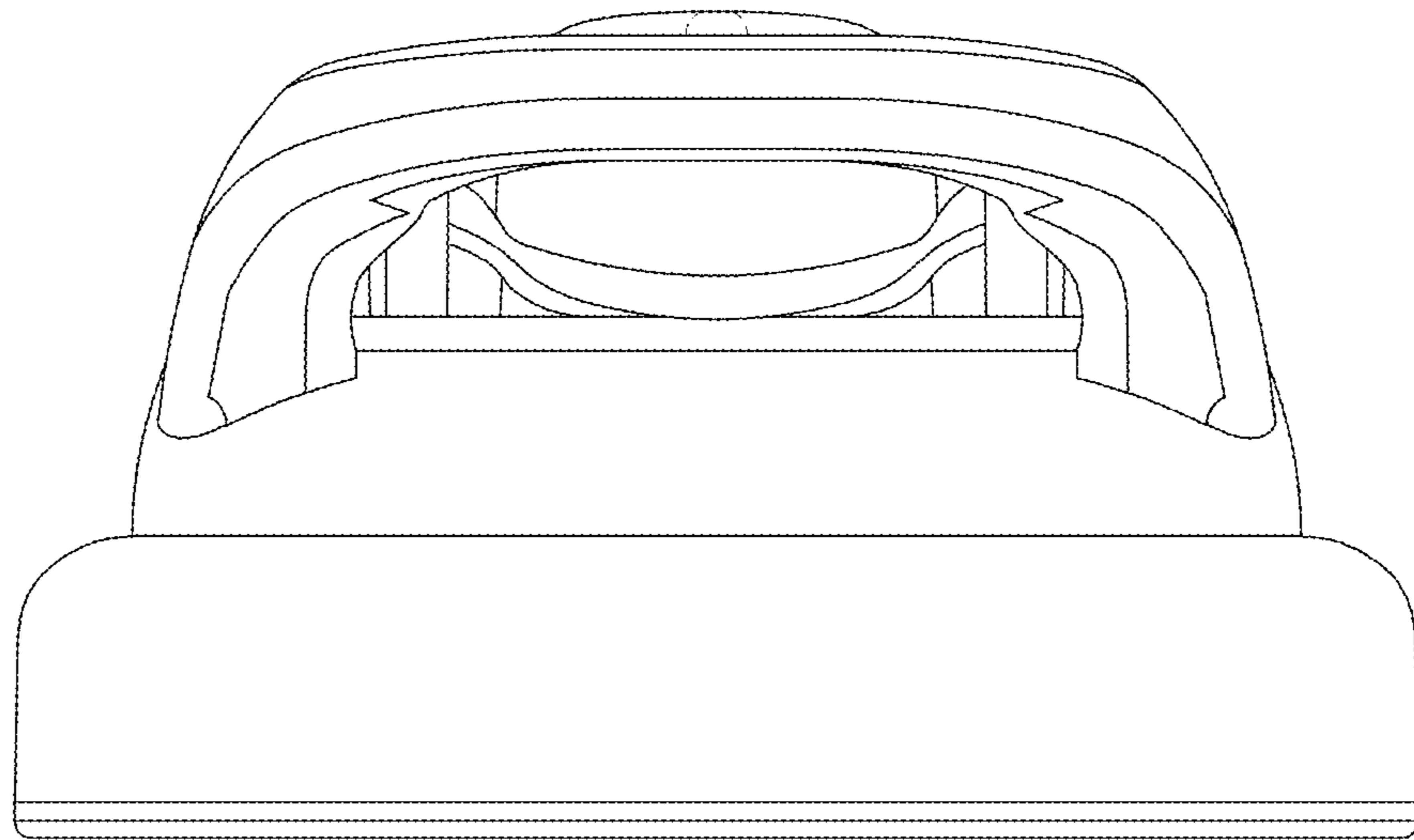


FIG. 5

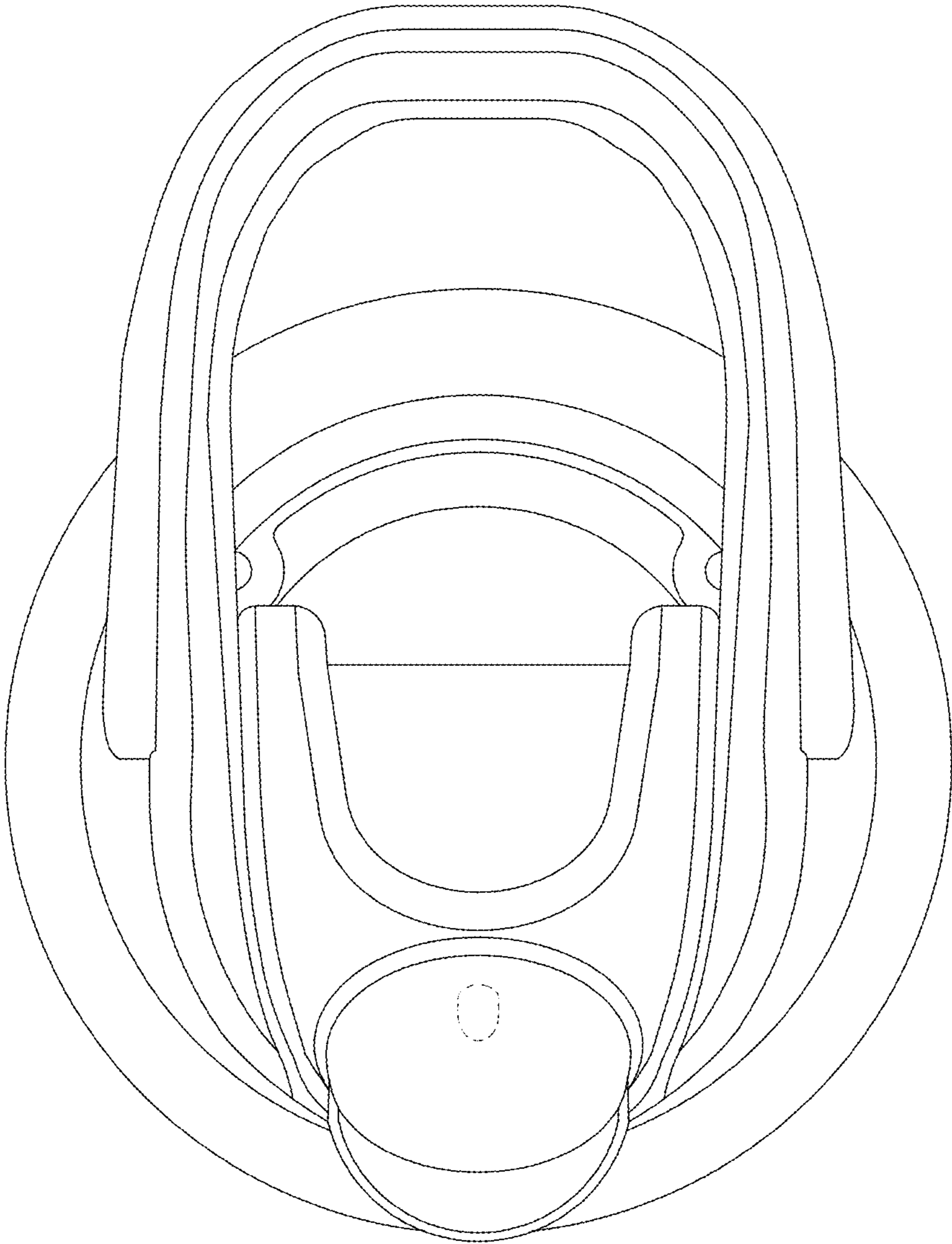


FIG. 6

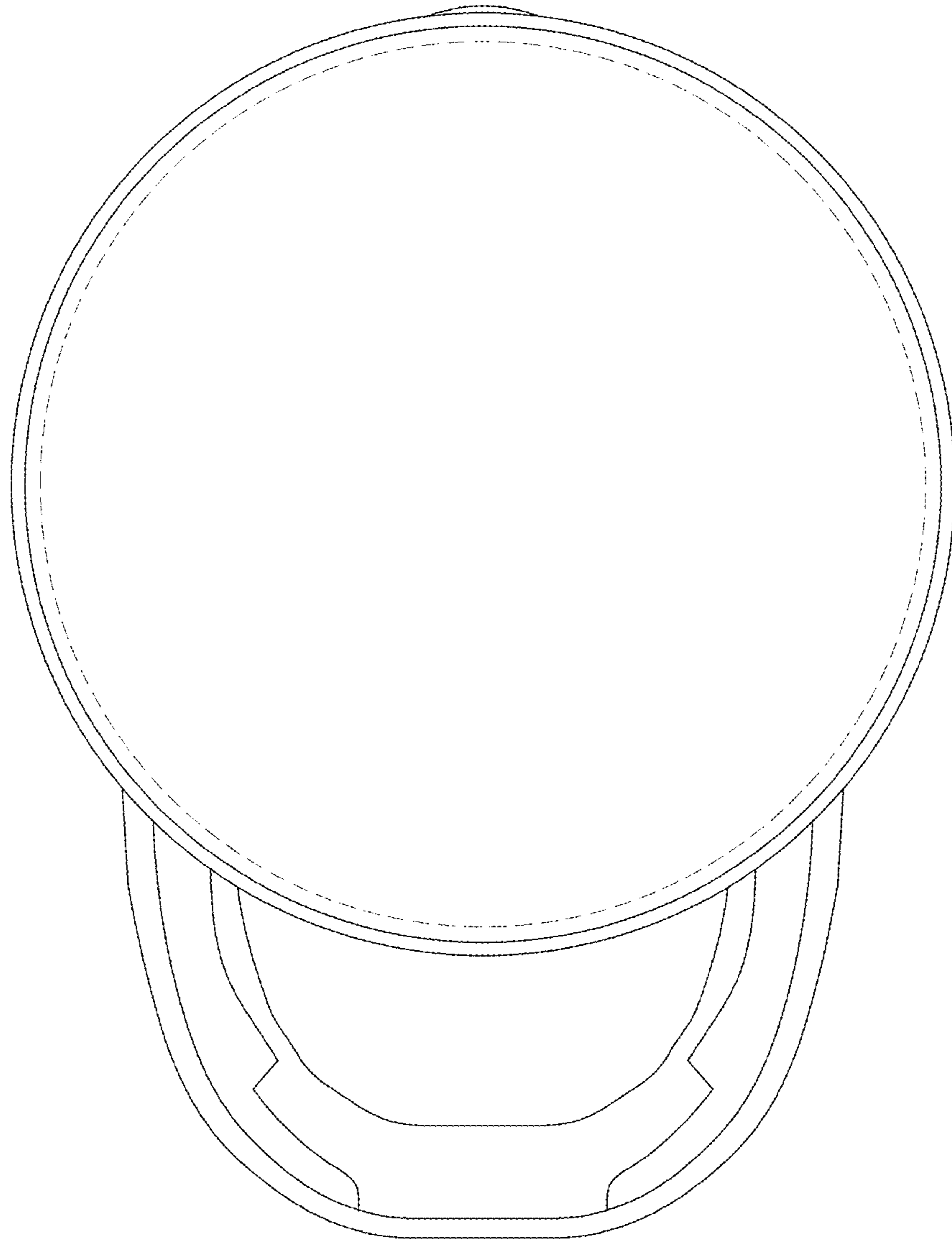


FIG. 7