



US00D958589S

(12) **United States Design Patent**
Hagger

(10) **Patent No.:** **US D958,589 S**

(45) **Date of Patent:** **** Jul. 26, 2022**

(54) **CLIP FOR FOOD STORAGE CONTAINER**

3,355,045 A 11/1967 Douglas
3,450,313 A * 6/1969 Jonas B65D 83/388
222/402.13
3,823,967 A * 7/1974 Knize B65D 45/16
292/258

(71) Applicant: **William Evans Retail LTD**, London
(GB)

(72) Inventor: **Sam Hagger**, London (GB)

D232,411 S 8/1974 Douglas et al.
3,974,758 A 8/1976 Stone, Jr.
D256,258 S * 8/1980 Varrin D14/254
4,498,375 A 2/1985 Bedini

(73) Assignee: **WILLIAM EVANS RETAIL LTD**

(Continued)

(**) Term: **15 Years**

FOREIGN PATENT DOCUMENTS

(21) Appl. No.: **29/725,868**

CN 305865154 6/2020
CN 306173250 11/2020

(22) Filed: **Feb. 27, 2020**

(Continued)

(30) **Foreign Application Priority Data**

Nov. 11, 2019 (GB) 6076113

(51) **LOC (13) Cl.** **07-01**

(52) **U.S. Cl.**
USPC **D7/387**

(58) **Field of Classification Search**
USPC D7/387, 388, 396.2, 601-603, 605, 608,
D7/612-615, 629, 630, 633, 701, 703,
D7/705, 706, 708.1; D3/229; D8/349,
D8/366, 381; D9/434, 500, 503, 504,
D9/549, 558, 715; D11/206; D19/65,
D19/192, 195, 196; 99/433
CPC B65D 1/10; B65D 45/00; B65D 45/16;
B65D 45/28; B65D 45/32; B65D 55/04;
B65D 81/38

See application file for complete search history.

OTHER PUBLICATIONS

Coffee Gator Coffee Canister, first available Jan. 7, 2020, Amazon,
[online], [site visited Nov. 1, 2021], Available from internet URL:
<https://www.amazon.com/coffee-canisters-grounds-bean-storage-jar/dp/B07N7D4HWK> (Year: 2020).*

(Continued)

Primary Examiner — Mary Ann Calabrese
Assistant Examiner — Natalya M Rapundalo
(74) *Attorney, Agent, or Firm* — Brooks Kushman P.C.

(57) **CLAIM**

The ornamental design for a clip for food storage container,
as shown and described.

DESCRIPTION

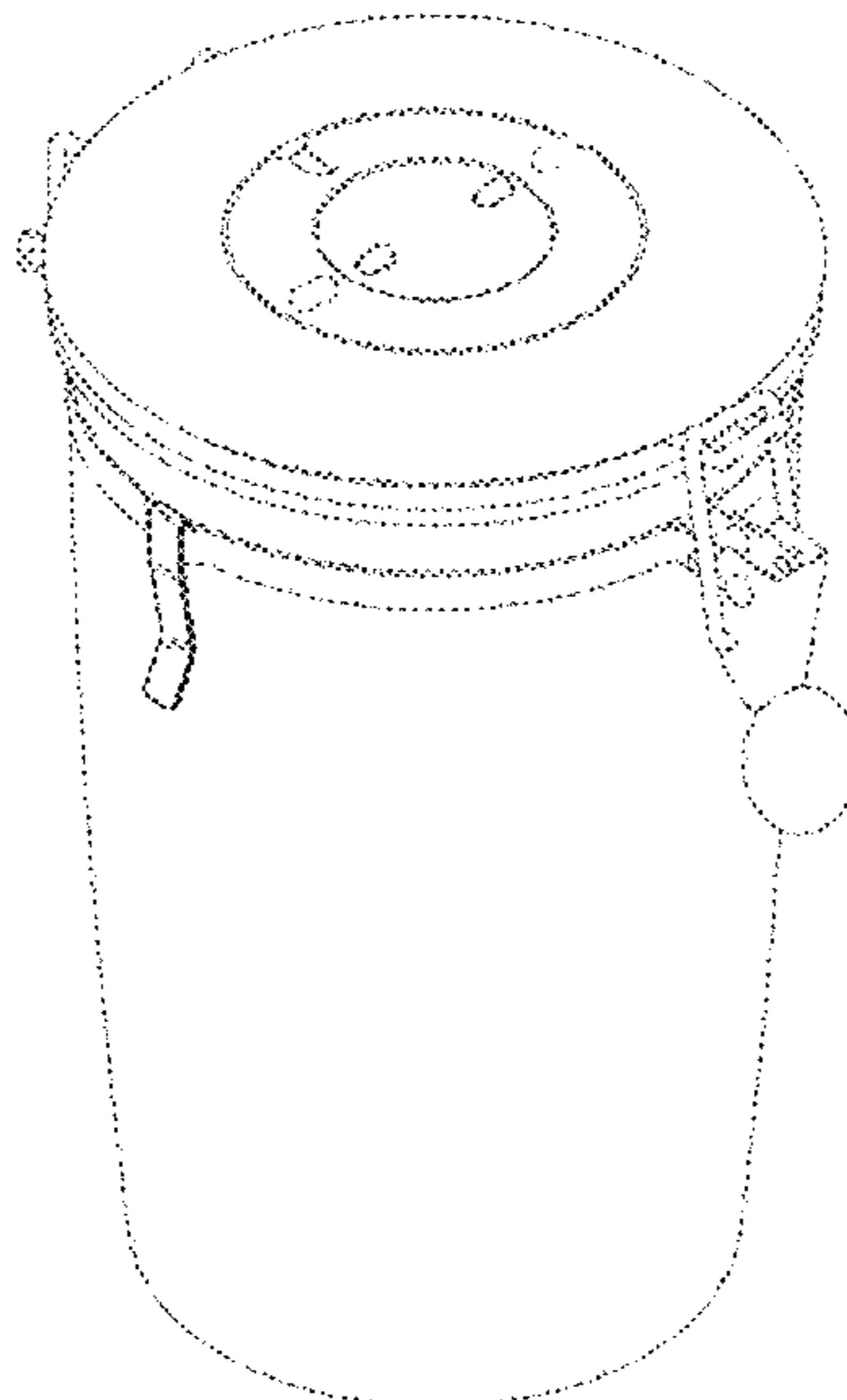
FIG. 1 is a front elevation view of a clip for food storage
container;
FIG. 2 is a right elevation view thereof; and,
FIG. 3 is an upper right perspective view thereof.
The broken lines in the drawings represent a food storage
container and form no part of the claimed design.

1 Claim, 3 Drawing Sheets

(56) **References Cited**

U.S. PATENT DOCUMENTS

1,298,128 A 3/1919 White
1,376,753 A * 5/1921 Febrey B42F 9/001
24/67.11
2,083,632 A 6/1937 Beck
3,172,631 A * 3/1965 Friedrichs A61J 9/0638
248/107



(56)

References Cited

U.S. PATENT DOCUMENTS

4,718,566 A 1/1988 Wunder
 4,721,214 A 1/1988 Wandel
 D300,495 S 4/1989 Minuti
 D301,821 S 6/1989 Bartolo
 D328,010 S 7/1992 Daenen et al.
 D359,201 S 6/1995 Hung
 D360,544 S * 7/1995 Gauthier D6/672
 D364,991 S 12/1995 Lee
 D376,958 S 12/1996 Blanc
 D379,573 S 6/1997 Lin
 D381,872 S * 8/1997 Lin D7/612
 D444,245 S 6/2001 Klett et al.
 D457,427 S * 5/2002 Diaz D7/629
 RE37,988 E 2/2003 Uss
 D488,340 S 4/2004 Zimmermann
 6,792,848 B1 9/2004 Janky
 D496,830 S 10/2004 Hockey
 D498,974 S * 11/2004 Hsieh D7/387
 D503,430 S * 3/2005 Chang D19/65
 D511,653 S 11/2005 Oas
 D511,940 S 11/2005 Kim
 6,968,984 B2 11/2005 Mulle
 D546,140 S * 7/2007 Anzalone D7/602
 D553,446 S * 10/2007 Yang B42F 9/001
 D7/615
 D557,076 S 12/2007 Wahl
 D561,519 S 2/2008 Ranzoni
 7,464,637 B1 12/2008 Lin
 D651,475 S 1/2012 Lindsay et al.
 8,387,517 B2 3/2013 Geissler
 D679,959 S 4/2013 Lane
 D683,584 S 6/2013 Gross et al.
 D694,589 S 12/2013 Duvigneau
 D696,593 S 12/2013 Farrow et al.
 9,016,518 B2 4/2015 Poul et al.
 D742,248 S 11/2015 Burton
 D771,371 S * 11/2016 Taylor D3/215
 D803,006 S 11/2017 Min et al.

D813,087 S * 3/2018 Siders B65D 45/16
 D11/206
 9,943,185 B2 4/2018 Chen
 D833,832 S 11/2018 Spivey et al.
 D861,408 S 10/2019 Hagger
 D862,147 S 10/2019 Hagger
 D884,436 S 5/2020 Lindsay et al.
 D899,896 S * 10/2020 Palmer B65D 83/388
 D8/349
 D908,465 S * 1/2021 Chen D8/349
 D909,820 S 2/2021 Koekkoek
 D919,890 S * 5/2021 Chung D28/82
 2003/0012256 A1 1/2003 Burkholder
 2004/0056027 A1 3/2004 Miller
 2005/0161396 A1 7/2005 Chaput
 2006/0011630 A1 1/2006 Mulle
 2015/0122688 A1 5/2015 Dias et al.
 2015/0245743 A1 9/2015 Rosenfeld
 2018/0099793 A1 4/2018 Beber et al.

FOREIGN PATENT DOCUMENTS

CN 306692433 7/2021
 CN 306701635 7/2021

OTHER PUBLICATIONS

Weck 26 oz. Canning Jar, Crate and Barrel, [online], [site visited Oct. 26, 2021], Available from internet URL: <https://www.crateandbarrel.com/weck-26-oz.-canning-jar/s261346> (Year: 2021).* Non-Final Office Action dated Sep. 14, 2021 for U.S. Appl. No. 29/726,777, 15 pgs.
 34 oz French Hermetic Glass Terrine, Le Parfait, containerstore.com, author unlisted, published on May 2, 2019 per payback machine copyright 2021 The Container Store, Inc., online, site visited Aug. 12, 2021. Available at URL: <https://www.containerstore.com/s/kitchen/food-storage/le-parfait-french-hermetic-glass-terrines/12d?productId=10005560> (Year: 2019), 8 pgs.

* cited by examiner

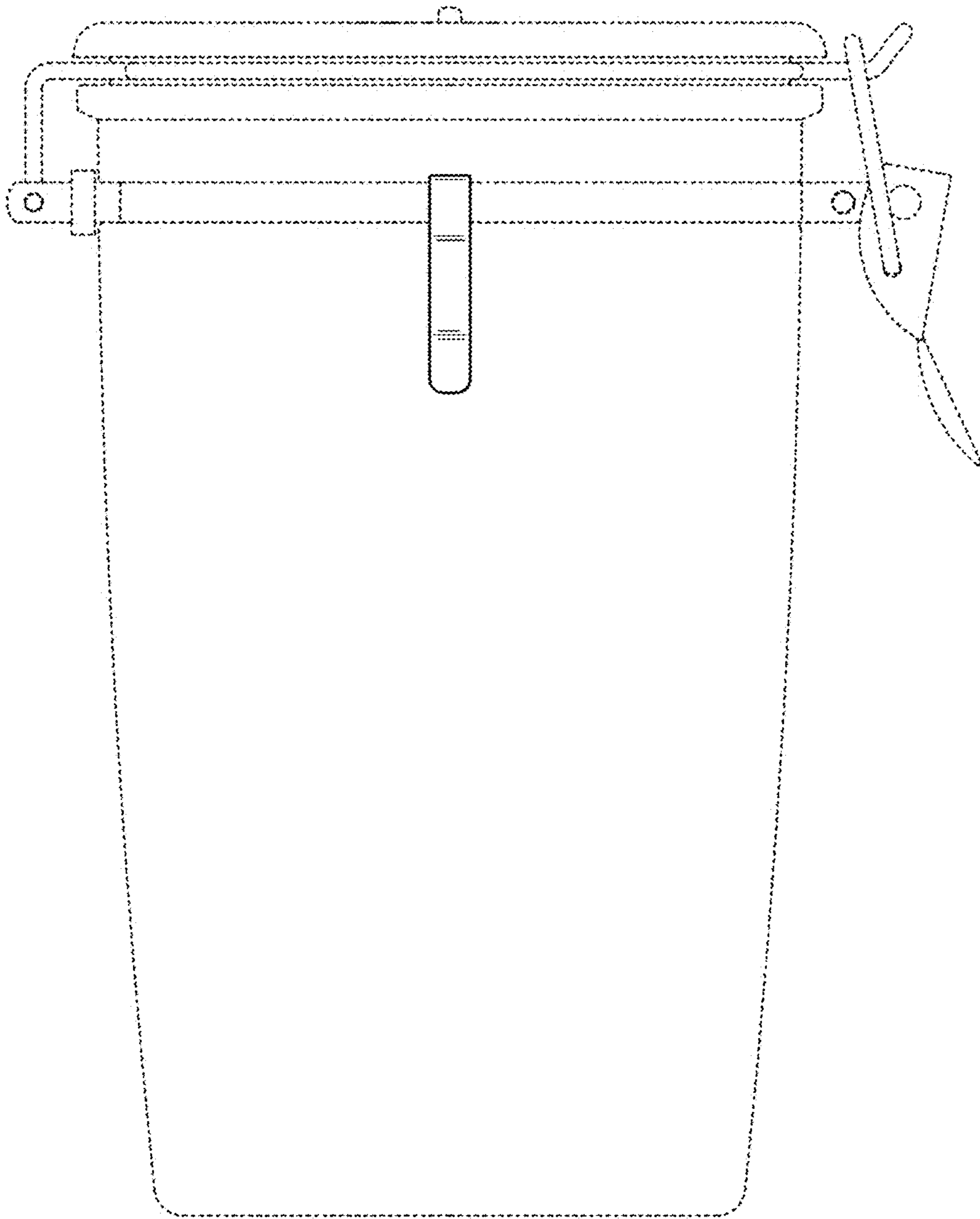


FIG. 1

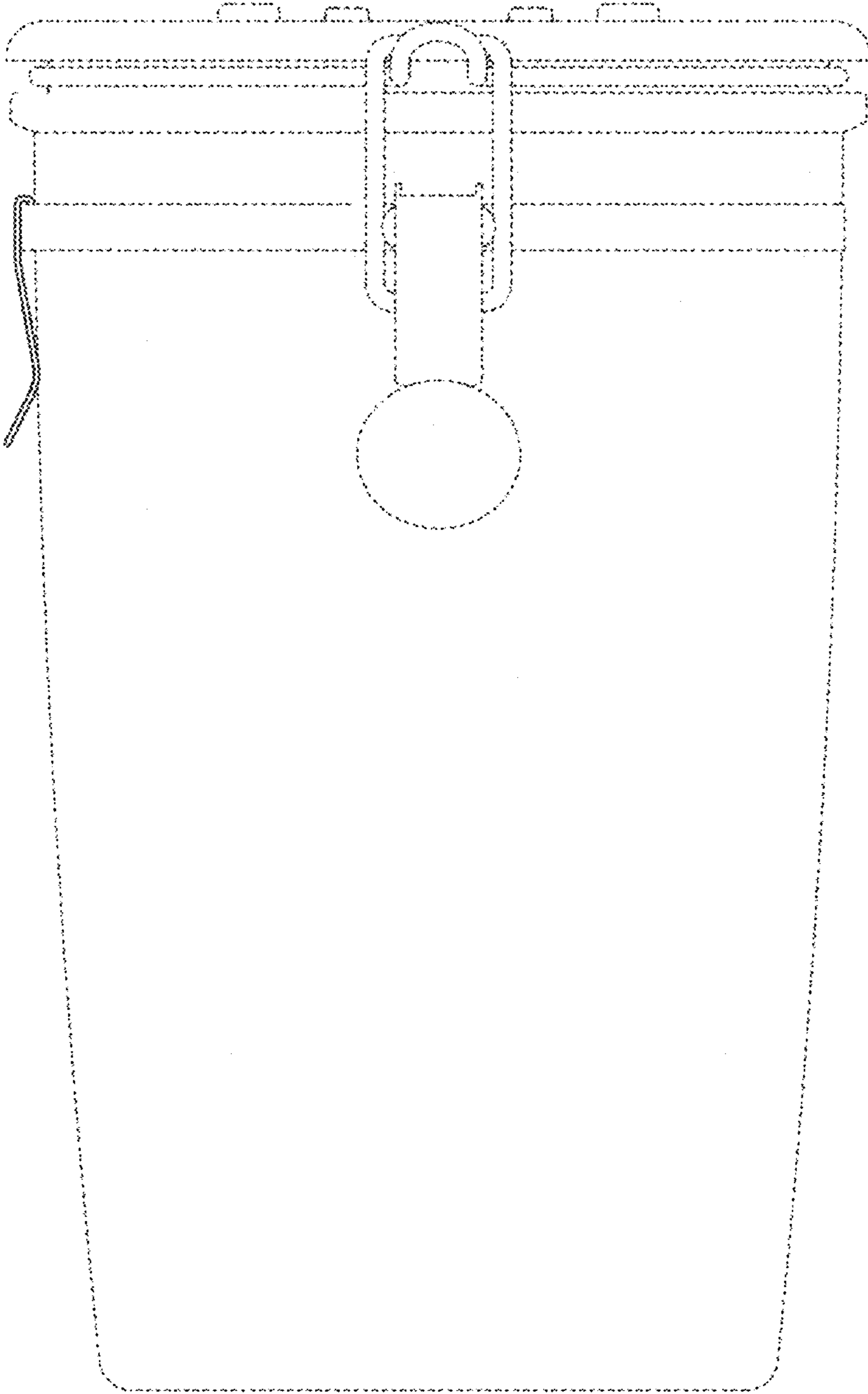


FIG. 2

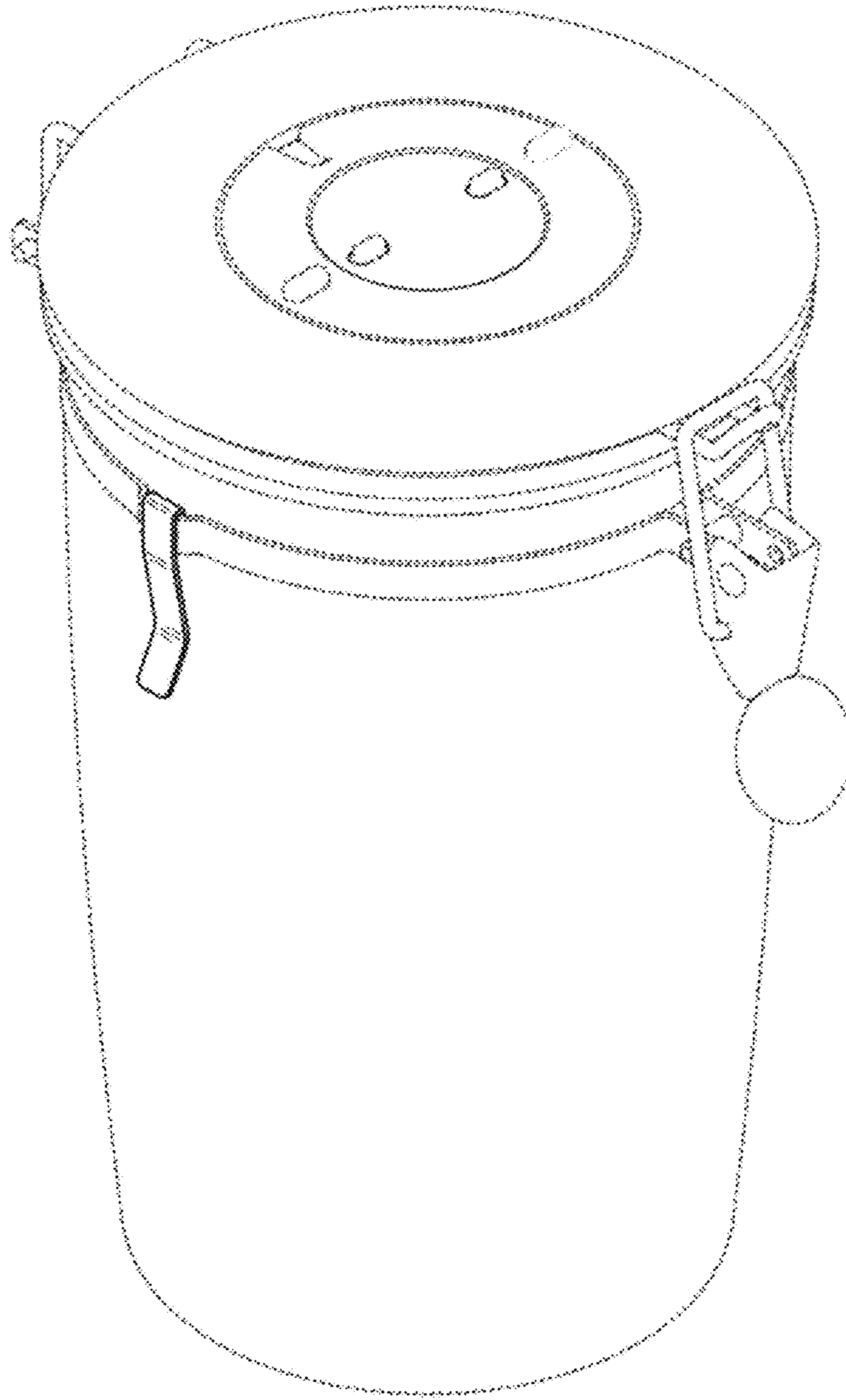


FIG. 3