



US00D958586S

(12) **United States Design Patent**
Dubois

(10) **Patent No.:** **US D958,586 S**

(45) **Date of Patent:** **** Jul. 26, 2022**

(54) **ROASTING DISH**

(71) Applicant: **PILLIVUYT**, Mehun-sur-Yèvre (FR)

(72) Inventor: **Eric Dubois**, Mehun-sur-Yèvre (FR)

(**) Term: **15 Years**

(21) Appl. No.: **29/769,270**

(22) Filed: **Feb. 4, 2021**

(51) **LOC (13) Cl.** **07-02**

(52) **U.S. Cl.**
USPC **D7/360**; D7/354

(58) **Field of Classification Search**
USPC D7/323, 354–361, 543, 545, 549, 550.1,
D7/552.1, 553.1–553.8, 554.1–554.4, 555,
D7/584, 586, 602; D9/430–433,
D9/455–456, 737, 756–762
CPC A21B 3/00; A21B 3/13; A21B 3/15; A21B
3/134; A21B 5/00; A21B 5/02; A47J
36/022; A47J 36/025; A47J 36/027; A47J
37/00; A47J 37/04; B65D 1/22; B65D
1/24; B65D 1/34; B65D 1/36; B65D
81/343; B65D 85/36

See application file for complete search history.

(56) **References Cited**

U.S. PATENT DOCUMENTS

D193,200 S	*	7/1962	Bergeron	D7/545
D212,821 S	*	11/1968	Benes	D7/545
D287,559 S	*	1/1987	Daenen	D7/586
D305,086 S	*	12/1989	Stewart	D7/602
D417,367 S	*	12/1999	Laib	D7/602
D418,017 S	*	12/1999	Henry	D7/545
D457,784 S	*	5/2002	Torniainen	D7/552.1

D483,616 S	*	12/2003	Thonis	D7/545
D688,084 S	*	8/2013	Henry	D7/354
D689,733 S	*	9/2013	Parr	D7/354
D744,776 S	*	12/2015	Seyers	D7/354
D829,036 S	*	9/2018	Garcia Luna	D7/354
D864,667 S	*	10/2019	Shirley	D7/545

OTHER PUBLICATIONS

KOOV Bakeware Sets. Date First Available on Amazon.com Oct. 17, 2020. <https://www.amazon.com/dp/B08LB6RD2V/ref> (Year: 2020).*

* cited by examiner

Primary Examiner — Ricky Pham

(74) *Attorney, Agent, or Firm* — Egbert, McDaniel & Swartz, PLLC

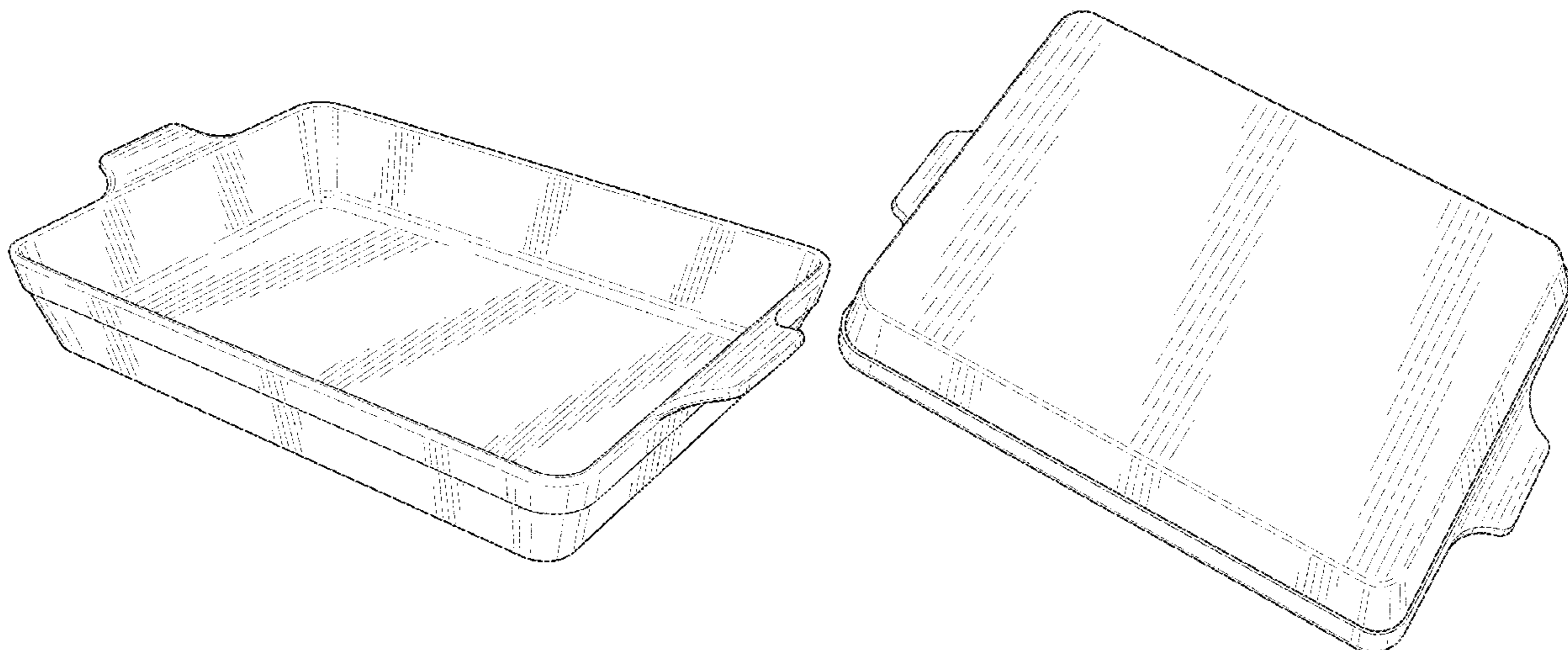
(57) **CLAIM**

The ornamental design for a roasting dish as shown and described.

DESCRIPTION

FIG. 1 is an upper perspective view of a roasting dish showing my new design.
FIG. 2 is a front view thereof;
FIG. 3 is a rear view thereof;
FIG. 4 is a side view thereof;
FIG. 5 is an opposite side view thereof;
FIG. 6 is a top view thereof;
FIG. 7 is a bottom view thereof; and,
FIG. 8 is a bottom perspective view thereof.

1 Claim, 3 Drawing Sheets



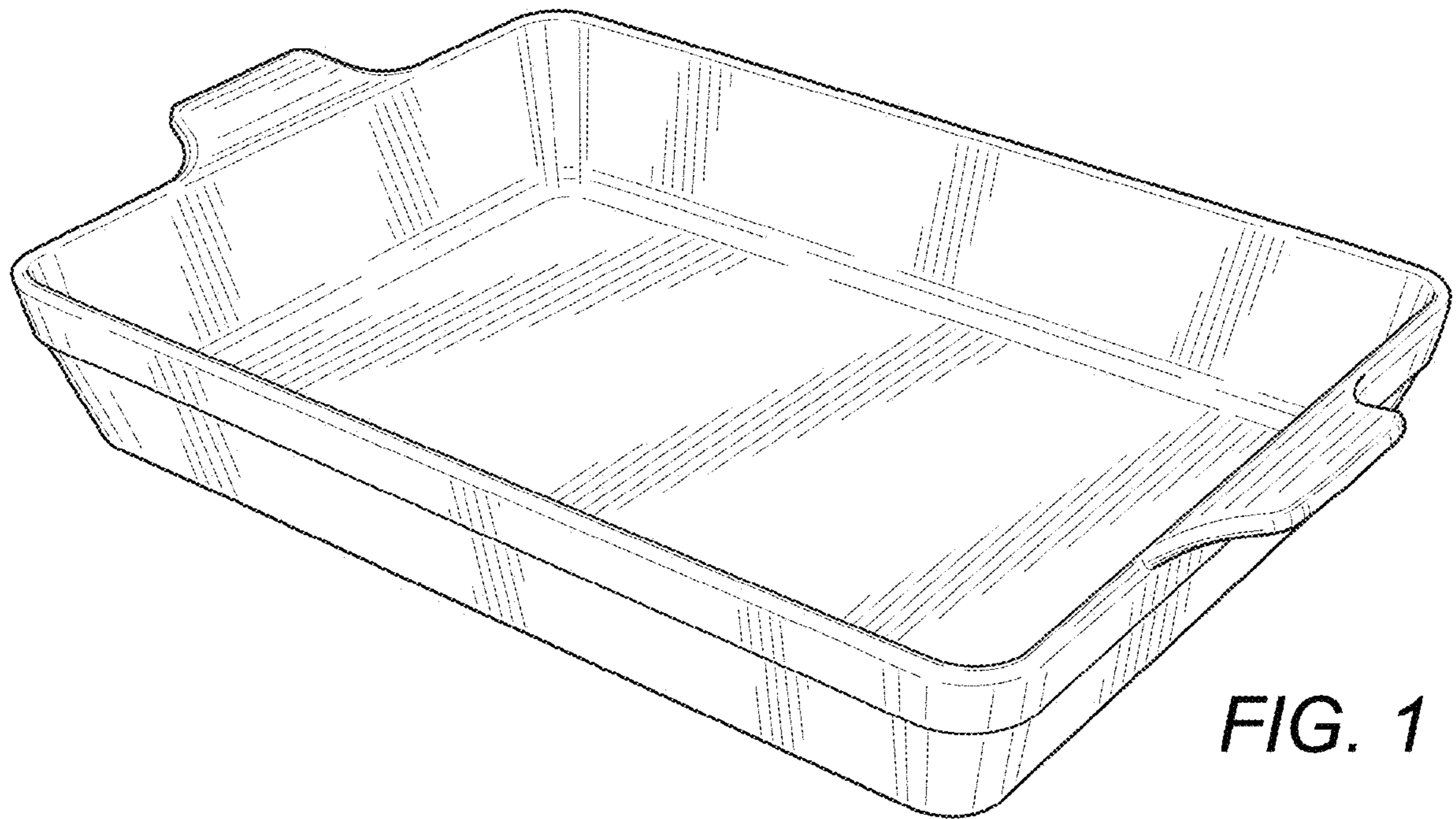


FIG. 1

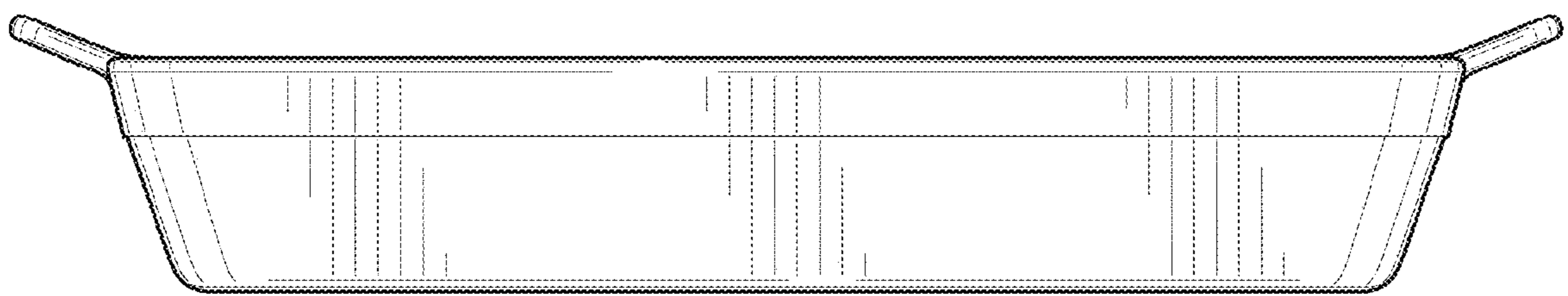


FIG. 2

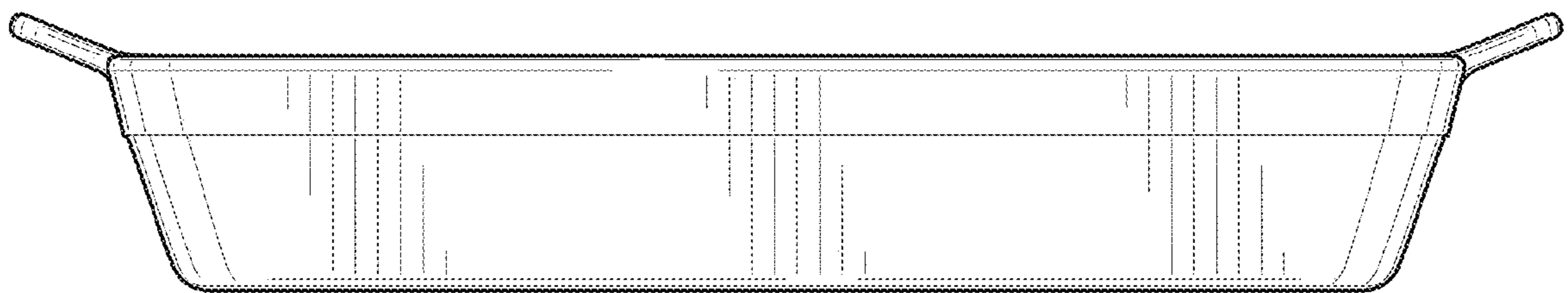


FIG. 3

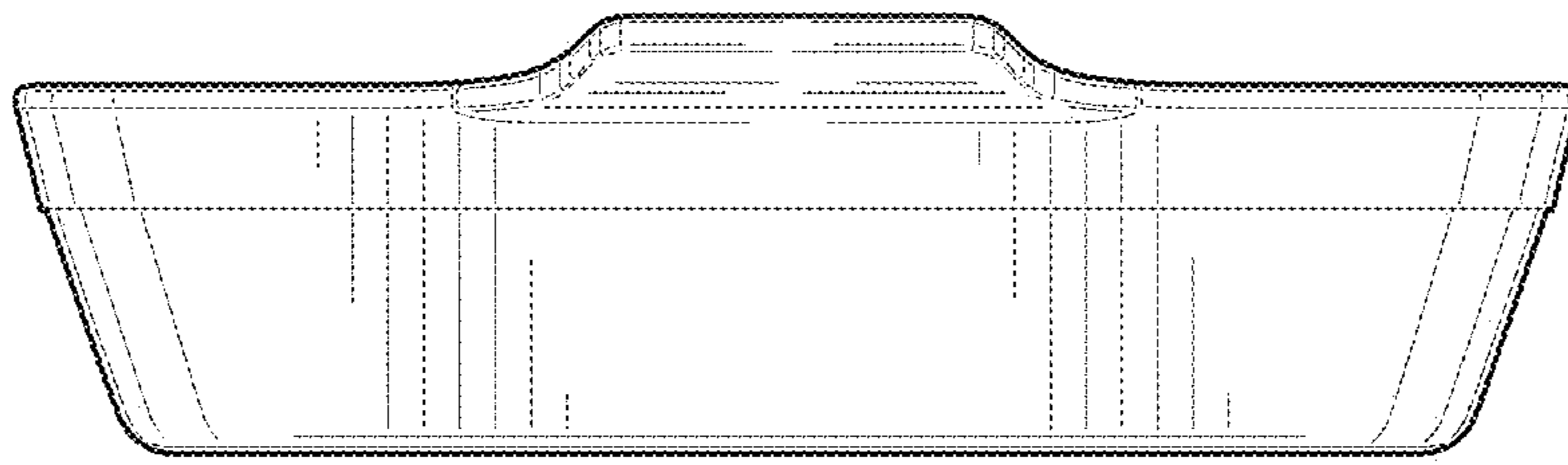


FIG. 4

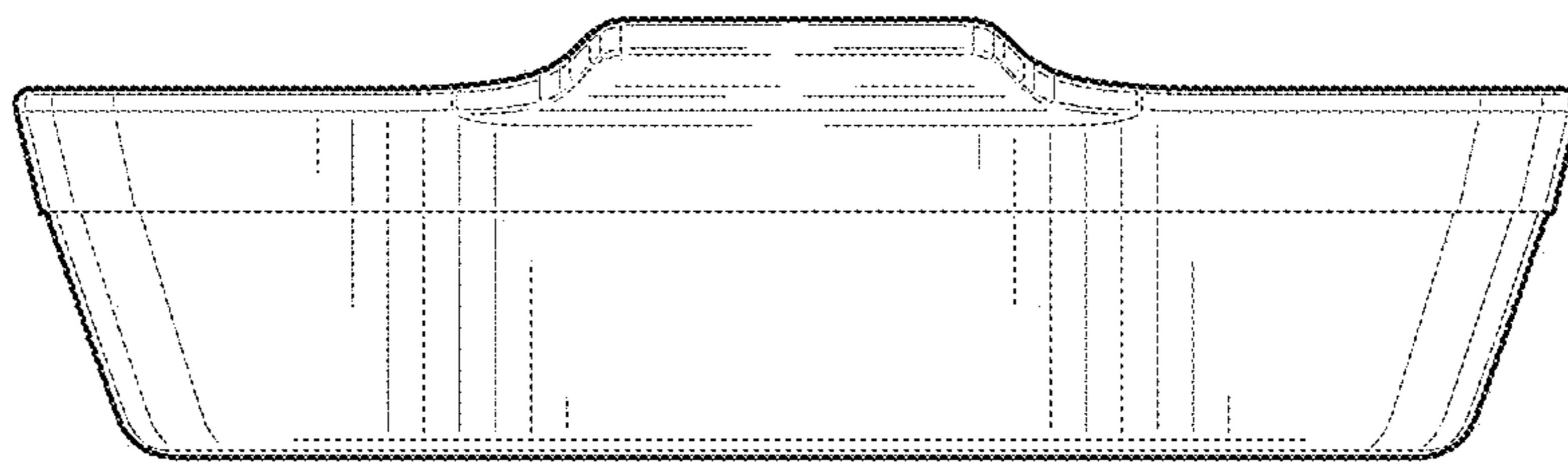


FIG. 5

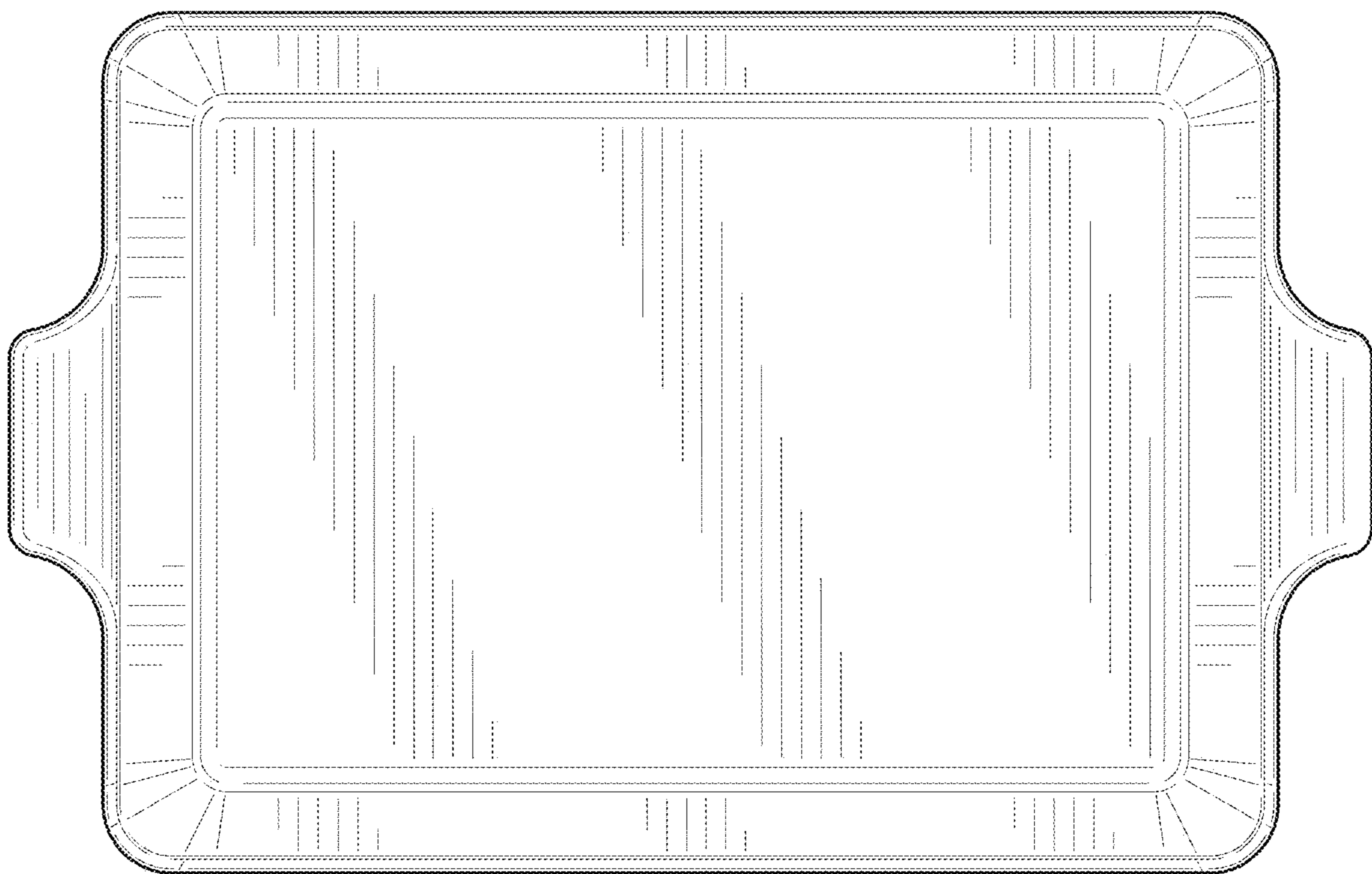


FIG. 6

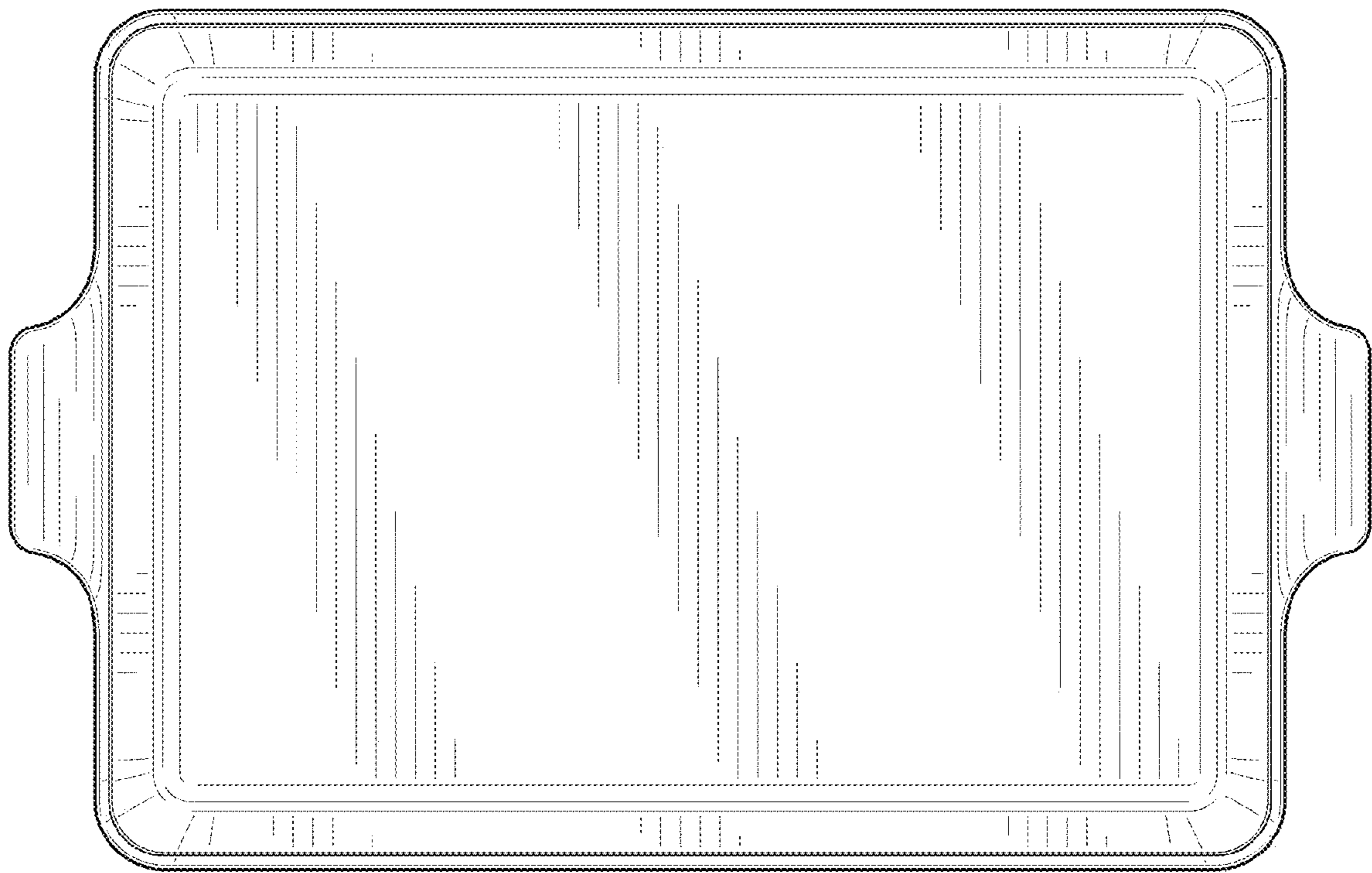


FIG. 7

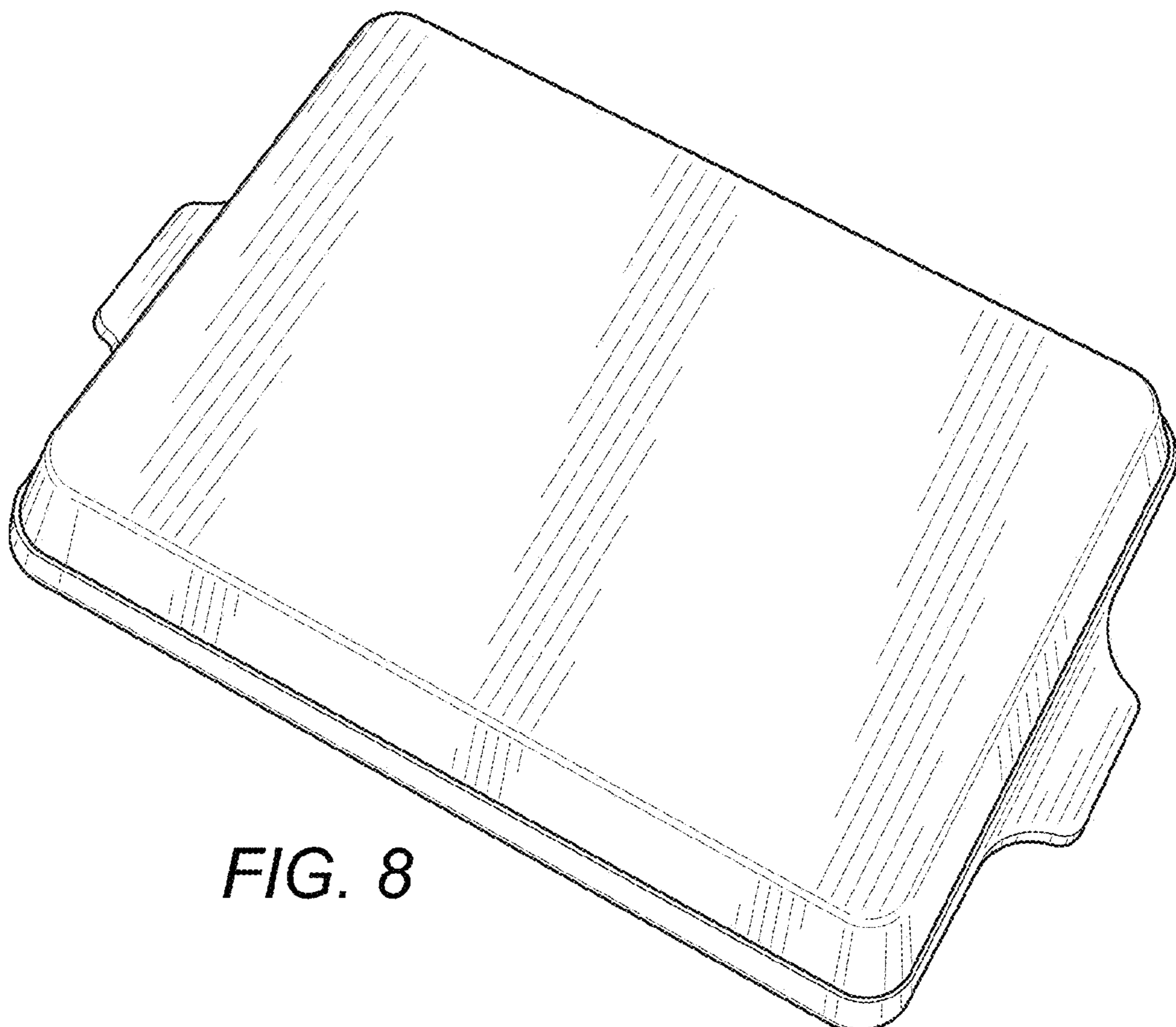


FIG. 8