



US00D958584S

(12) **United States Design Patent** (10) **Patent No.:** **US D958,584 S**  
**Sandeen** (45) **Date of Patent:** **\*\* Jul. 26, 2022**

(54) **FOOD SEARING TOOL**

(74) *Attorney, Agent, or Firm* — Heisler & Associates

(71) Applicant: **Michael W. Sandeen**, Acampo, CA  
(US)

(57) **CLAIM**

The ornamental design for a food searing tool, as shown and described.

(72) Inventor: **Michael W. Sandeen**, Acampo, CA  
(US)

**DESCRIPTION**

(\*\*) Term: **15 Years**

FIG. 1 is an exploded perspective view of my food searing tool invention;

(21) Appl. No.: **29/747,544**

FIG. 2 is a front elevation view of the invention, the rear view being a mirror image thereof;

(22) Filed: **Aug. 24, 2020**

FIG. 3 is a side elevation view of the invention, the opposite side view being a mirror image thereof;

(51) **LOC (13) Cl.** ..... **07-02**

FIG. 4 is a perspective view from above of an upper portion of the invention;

(52) **U.S. Cl.**

FIG. 5 is a perspective view from below of the upper portion of the invention;

USPC ..... **D7/360**; D7/362; D7/409

FIG. 6 is a top plan view of the upper portion of the invention;

(58) **Field of Classification Search**

FIG. 7 is a bottom plan view of the upper portion of the invention;

USPC ..... D7/323, 352, 354–363, 408, 409, 543,  
D7/545, 549, 550.1, 553.1–553.8,  
D7/554.1–554.4, 555, 584, 586, 610;  
D9/430–433, 455–456, 737, 756–762

FIG. 8 is a front elevation view of the upper portion of the invention, the rear view being a mirror image thereof;

CPC .... A21B 3/00; A21B 3/13; A21B 3/15; A21B  
3/134; A21B 3/135; A21B 3/139; A21B  
5/00; A21B 5/02; A21C 15/00; A47G  
23/04; A47J 27/002; A47J 27/04; A47J  
36/022; A47J 36/025; A47J 36/027; A47J  
36/24; A47J 37/00; A47J 37/01; A47J  
37/04; A47J 37/041; A47J 37/0676; A47J

FIG. 9 is a side elevation view of the upper portion of the invention, the opposite side view being a mirror image thereof;

(Continued)

FIG. 10 is a perspective view from above of a lower portion of the invention;

(56) **References Cited**

FIG. 11 is a perspective view from below of the lower portion of the invention;

**U.S. PATENT DOCUMENTS**

3,365,071 A \* 1/1968 Ottinger ..... A47J 27/04  
211/153  
3,484,035 A \* 12/1969 Swett ..... B65D 25/02  
220/508

FIG. 12 is a top plan view of the lower portion of the invention;

(Continued)

FIG. 13 is a bottom plan view of the lower portion of the invention;

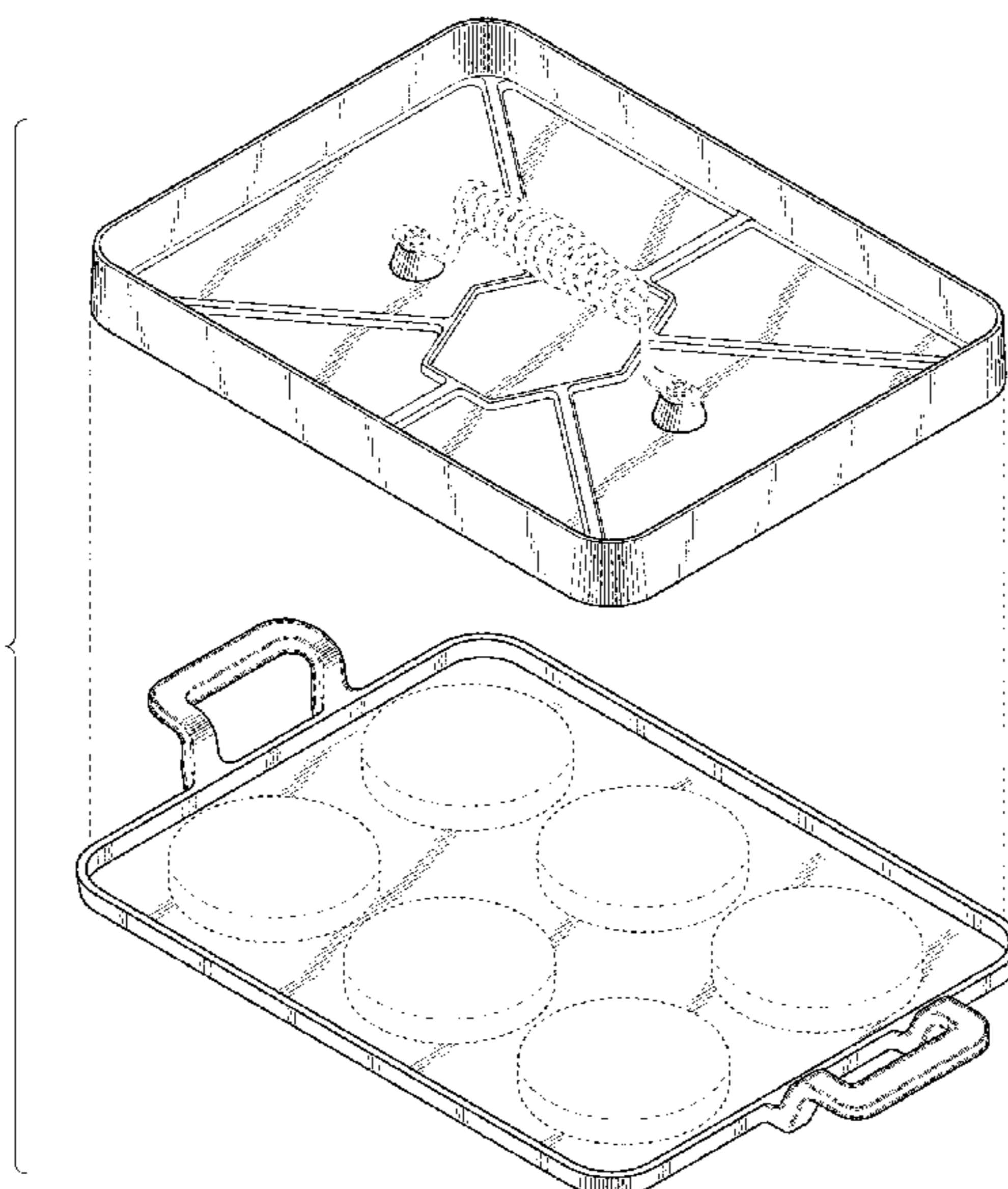
FIG. 14 is a front elevation view of the lower portion of the invention, the rear view being a mirror image thereof; and,

FIG. 15 is a side elevation view of the lower portion of the invention, the opposite side view being a mirror image thereof.

The broken lines in the drawings represent unclaimed environmental subject matter and form no part of the claim.

*Primary Examiner* — Ricky Pham

**1 Claim, 7 Drawing Sheets**



(58) **Field of Classification Search**

CPC ... 45/10; B65D 1/22; B65D 1/24; B65D 1/34;  
B65D 1/36; B65D 25/02; B65D 77/0433;  
B65D 81/343; B65D 85/36

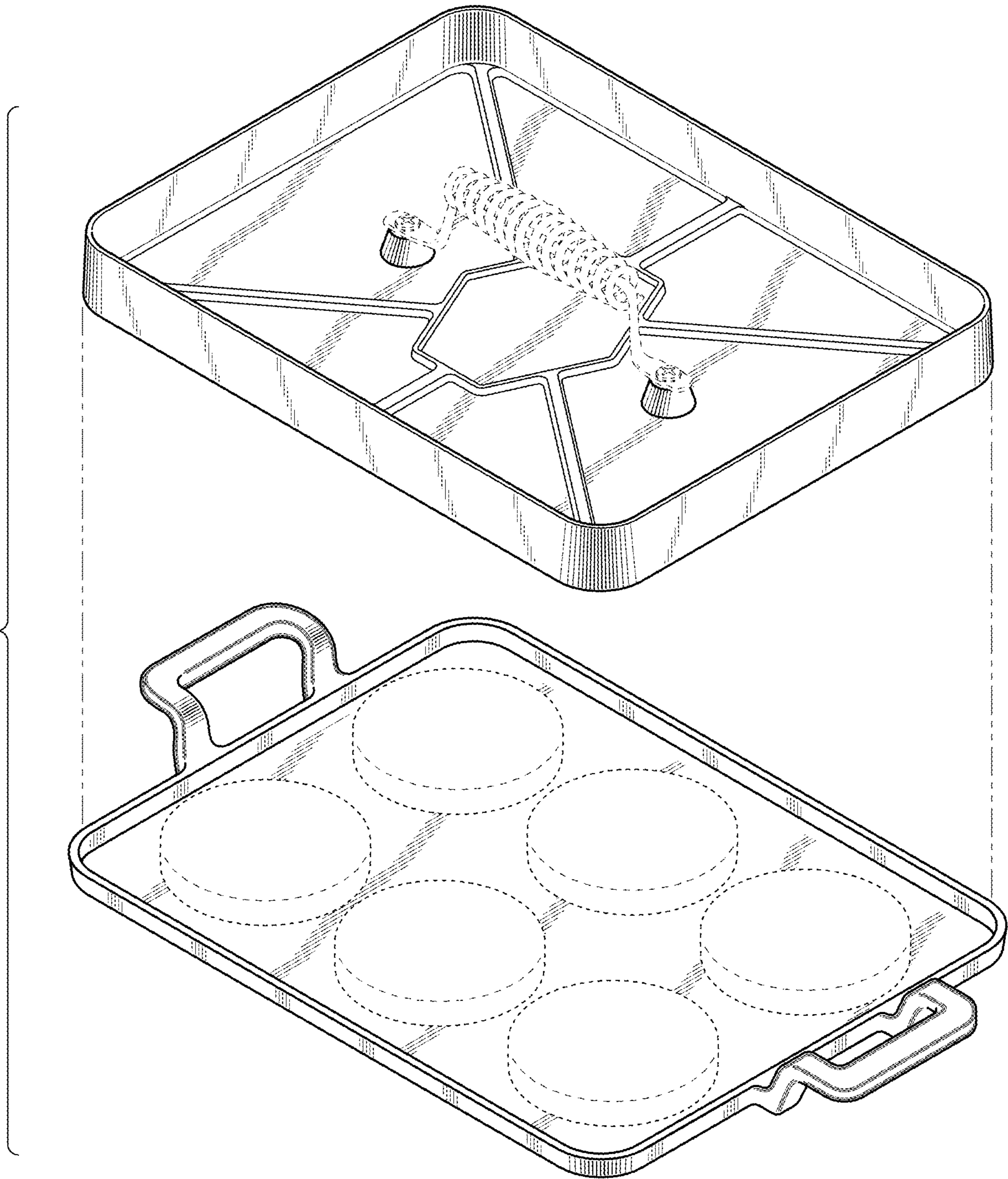
See application file for complete search history.

(56) **References Cited**

U.S. PATENT DOCUMENTS

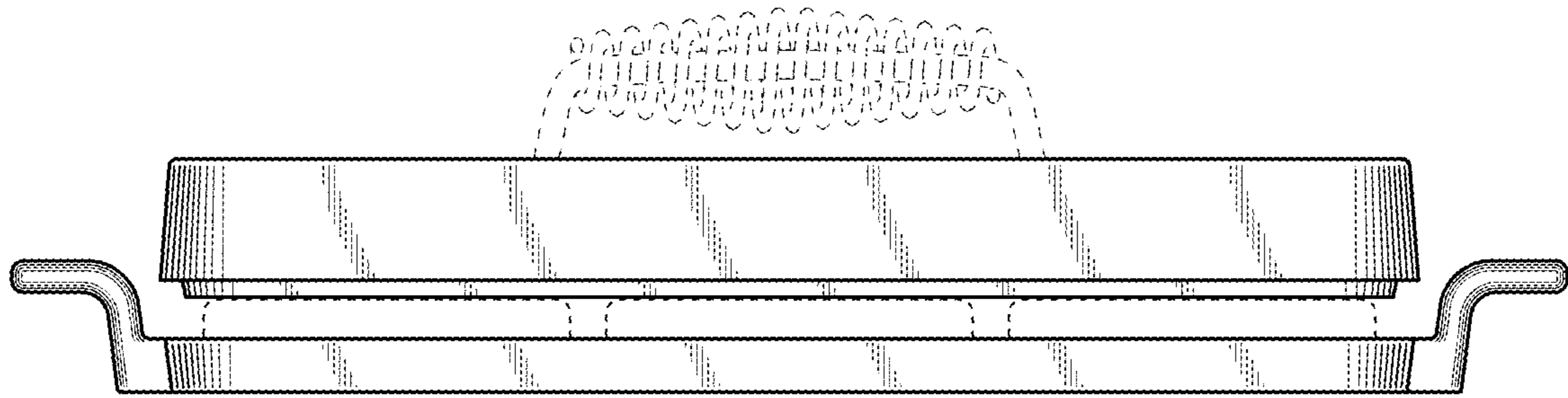
3,938,730 A \* 2/1976 Detzel ..... B65D 77/0433  
229/120.01  
D396,999 S \* 8/1998 Boothe ..... D7/610  
D400,055 S \* 10/1998 Mc Fadzean ..... D7/610  
6,153,237 A \* 11/2000 Ferguson ..... B65D 25/02  
206/499  
6,705,210 B2 \* 3/2004 Leonard ..... A47J 36/24  
126/384.1  
D709,727 S \* 7/2014 Cloutier ..... D7/363  
8,887,943 B1 \* 11/2014 Miller ..... B65D 1/34  
220/573.1  
D754,467 S \* 4/2016 Misner ..... D7/360  
D857,454 S \* 8/2019 Makabi ..... D7/409  
2006/0266757 A1 \* 11/2006 Camacho ..... A47J 37/01  
220/574  
2013/0341335 A1 \* 12/2013 Sitabkhan ..... A47J 27/002  
220/573.5

\* cited by examiner

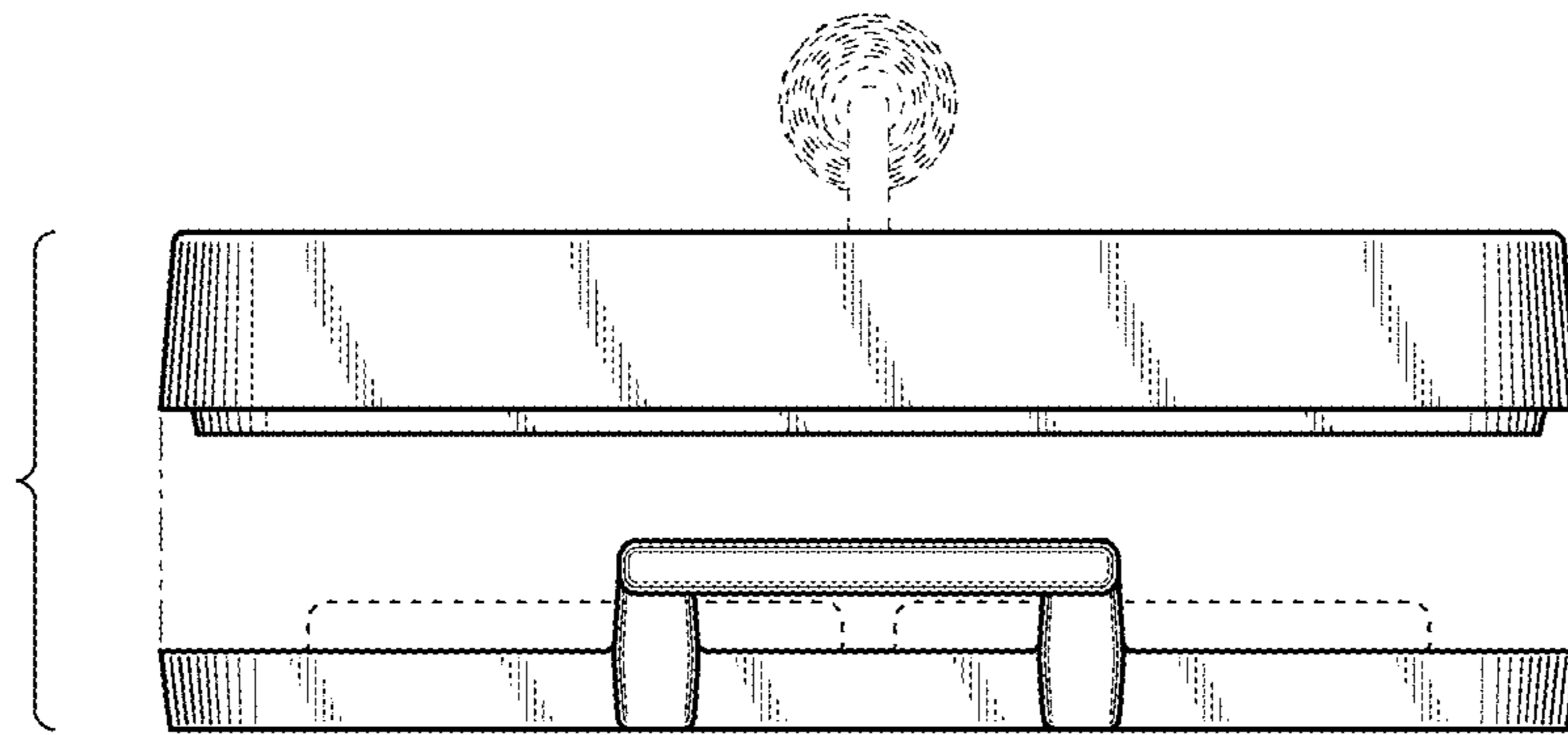


*Fig.1*

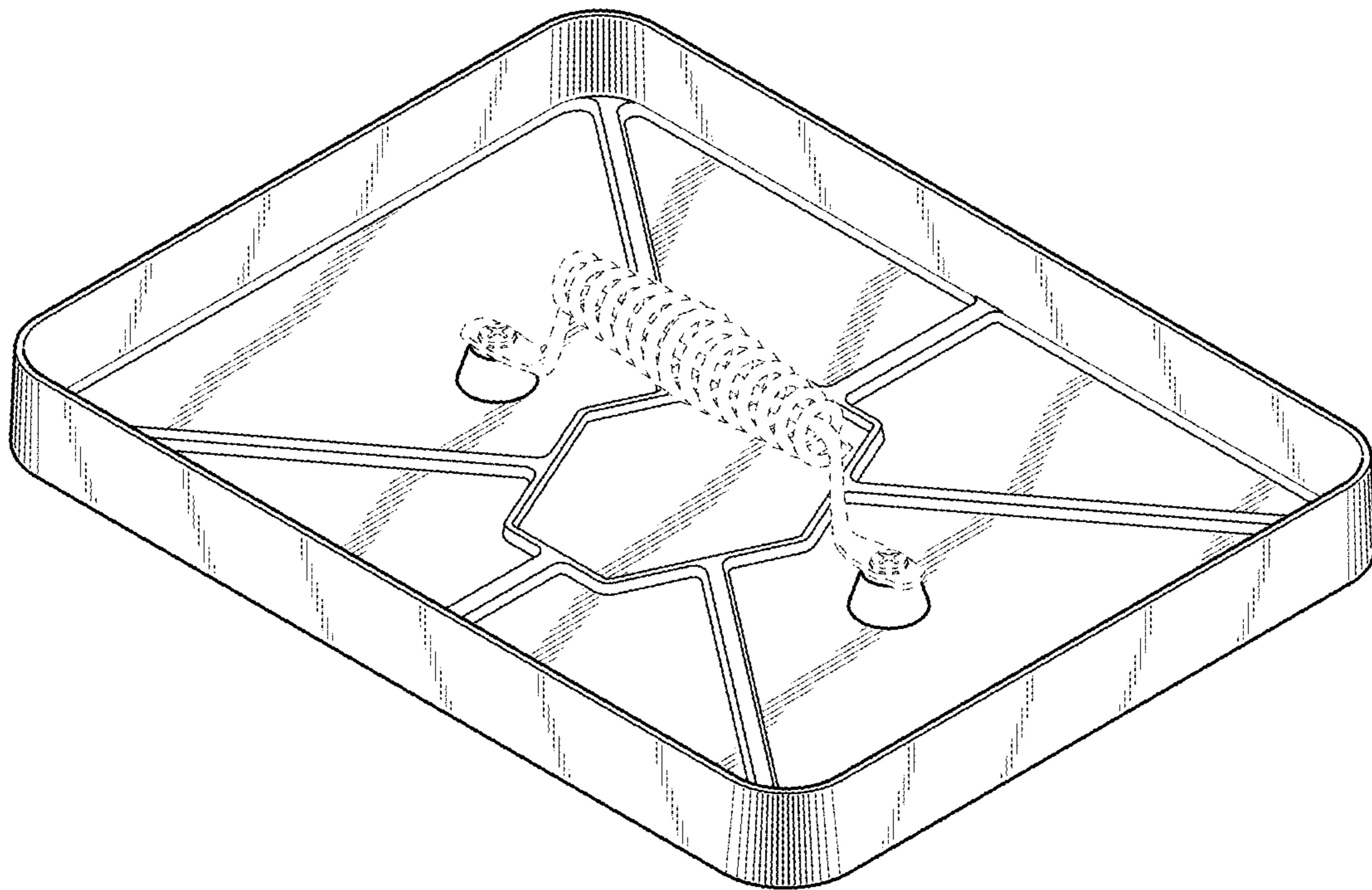




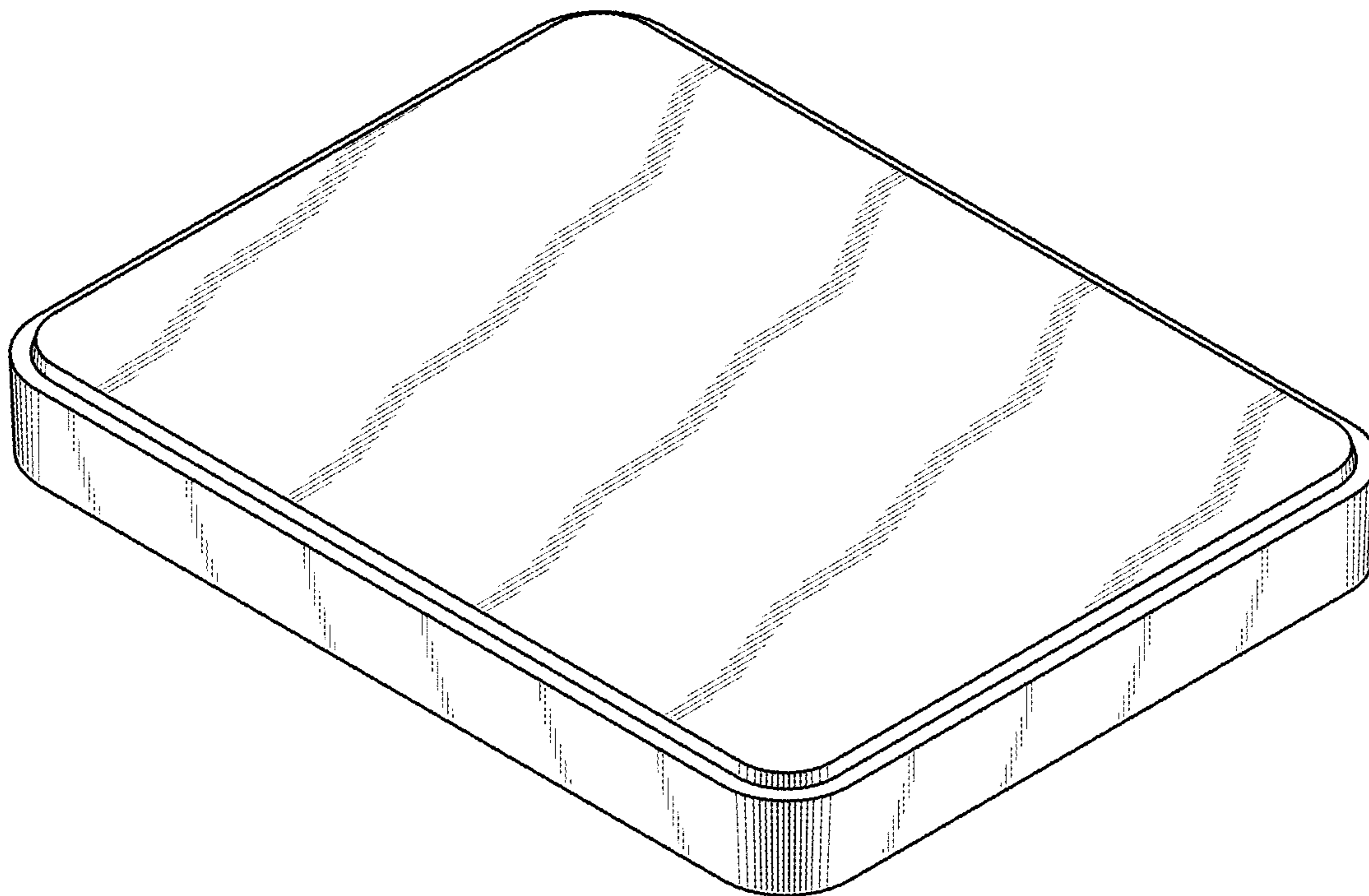
*Fig.2*



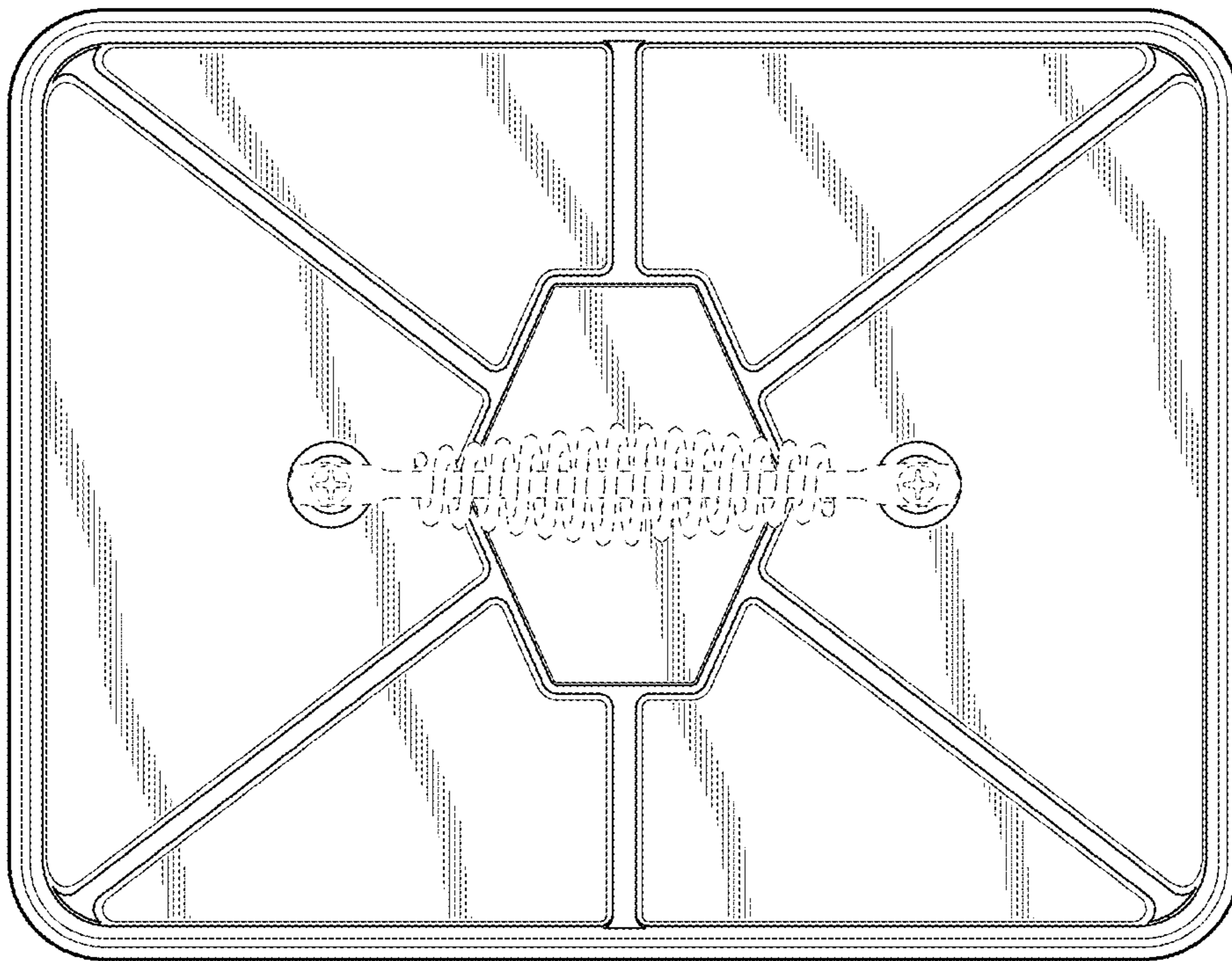
*Fig.3*



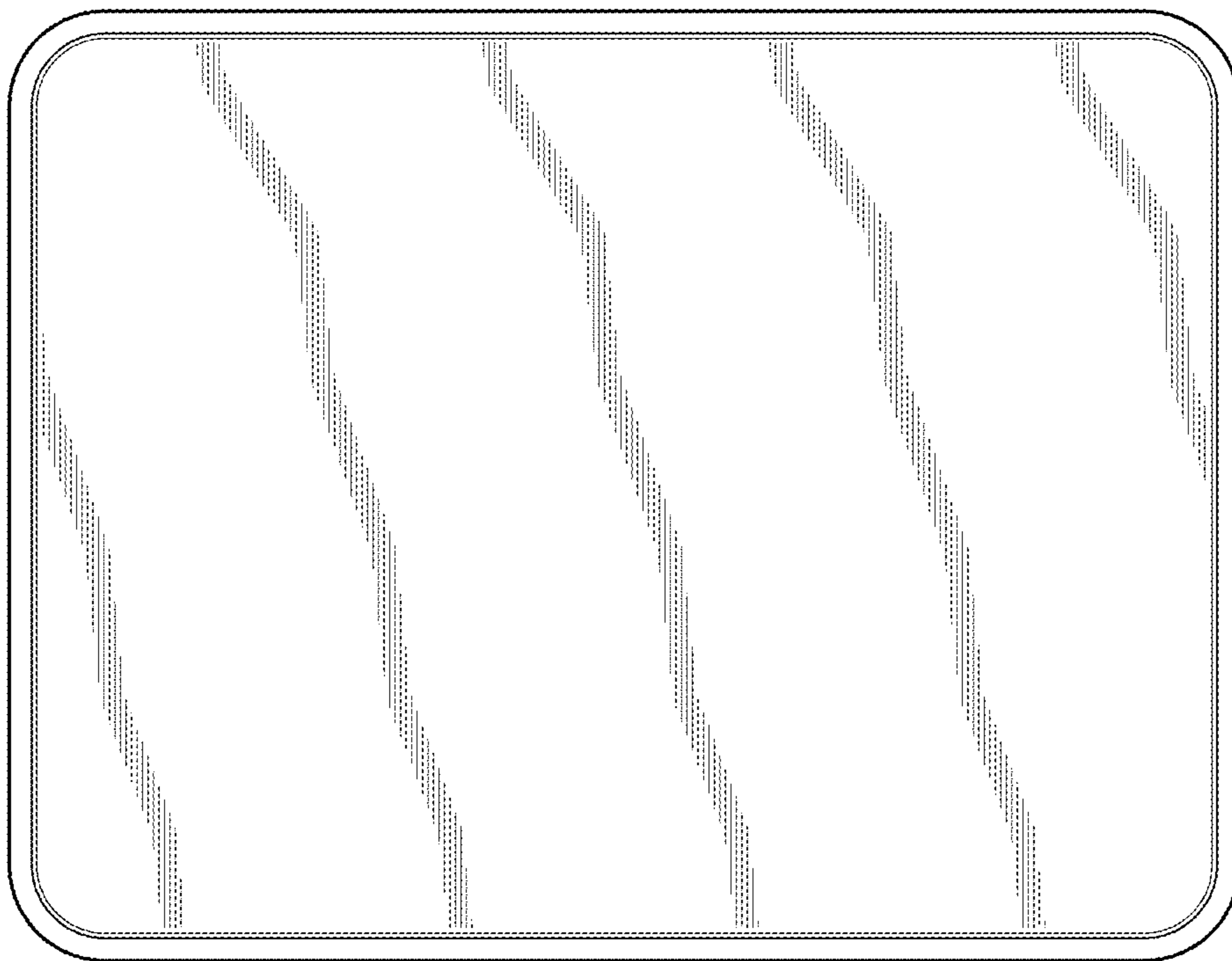
*Fig.4*



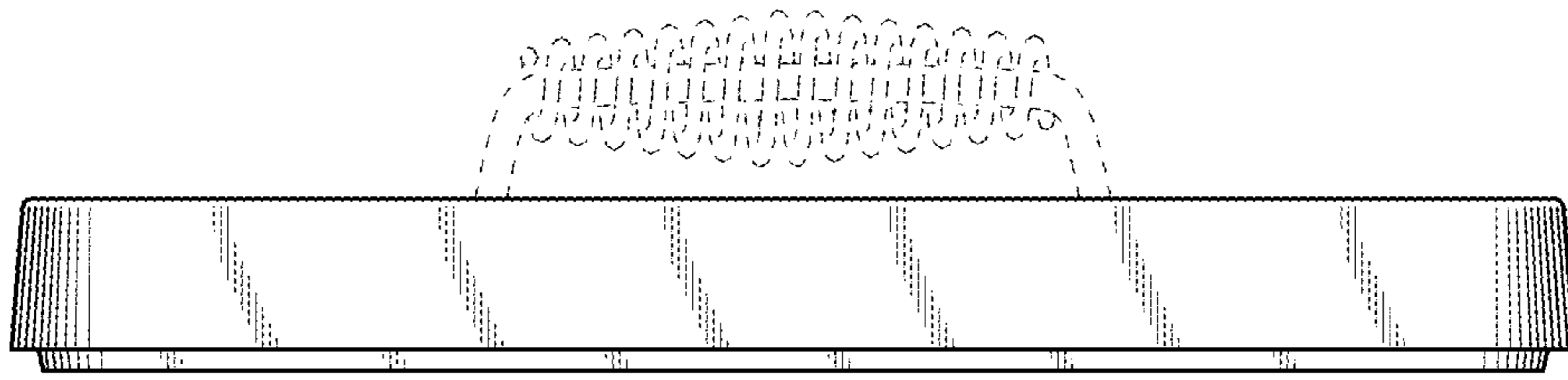
*Fig.5*



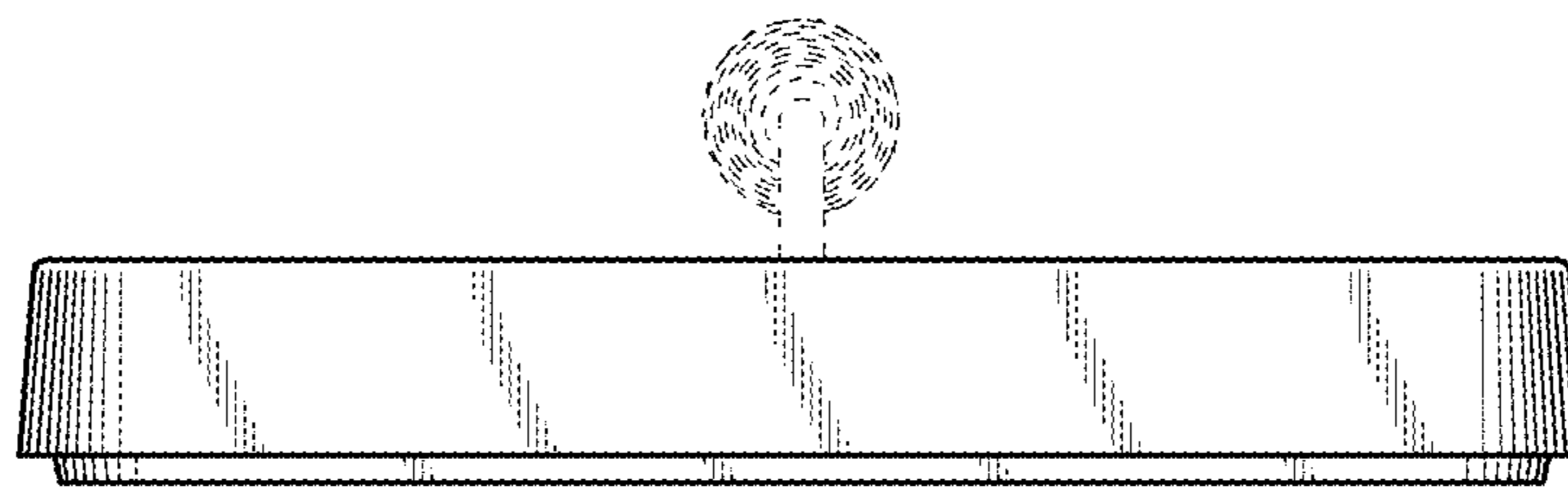
*Fig.6*



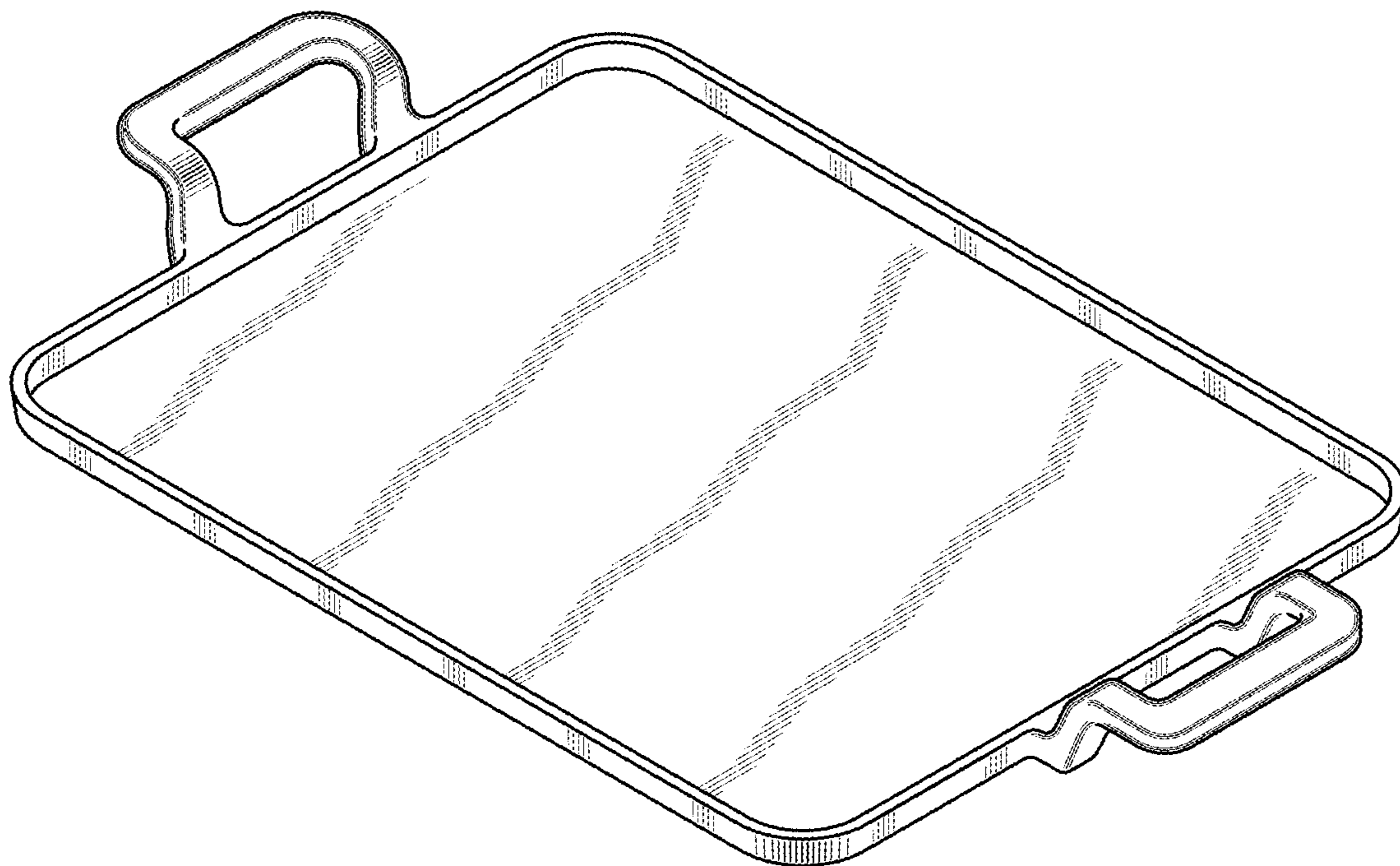
*Fig.7*



*Fig. 8*

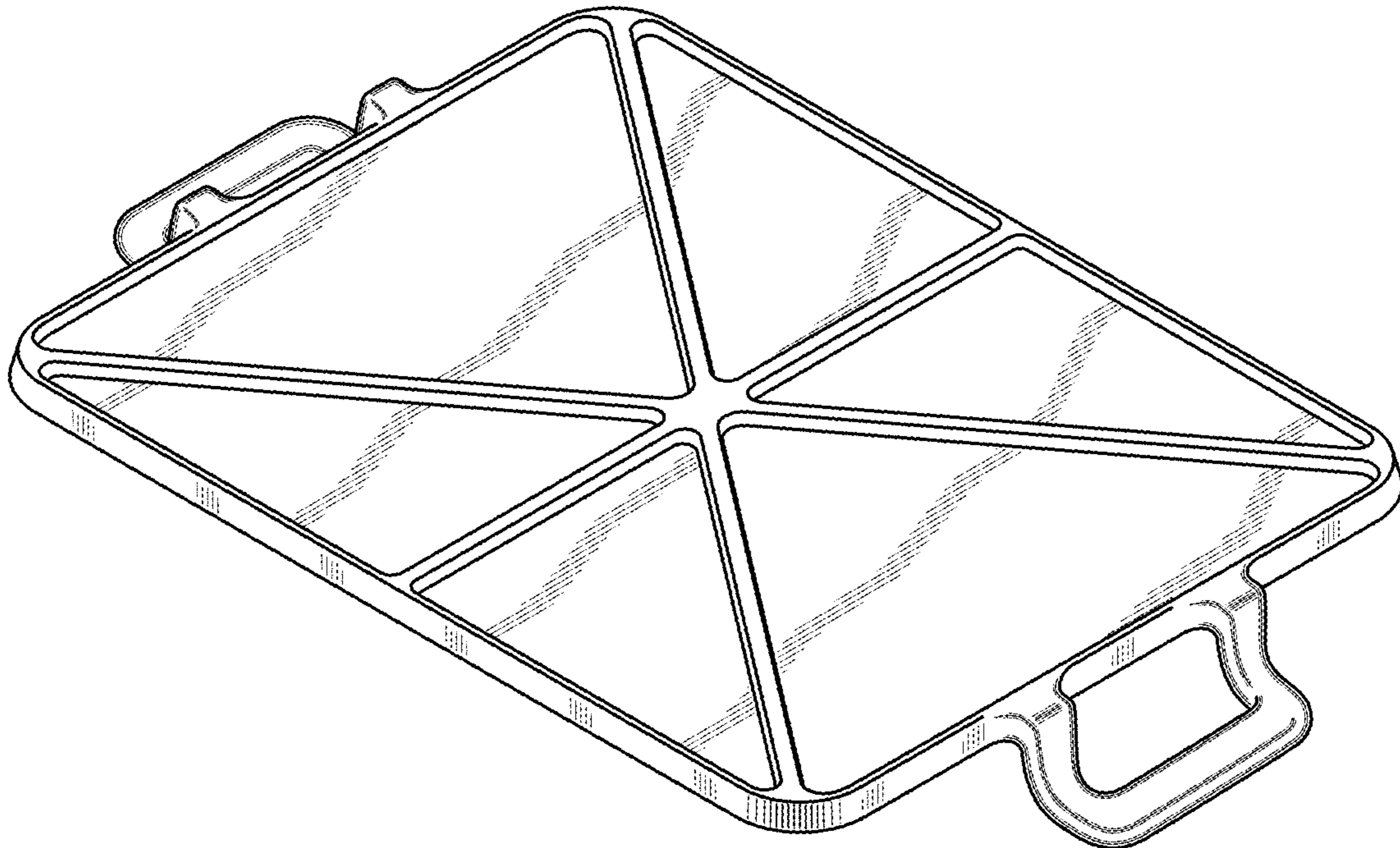


*Fig. 9*

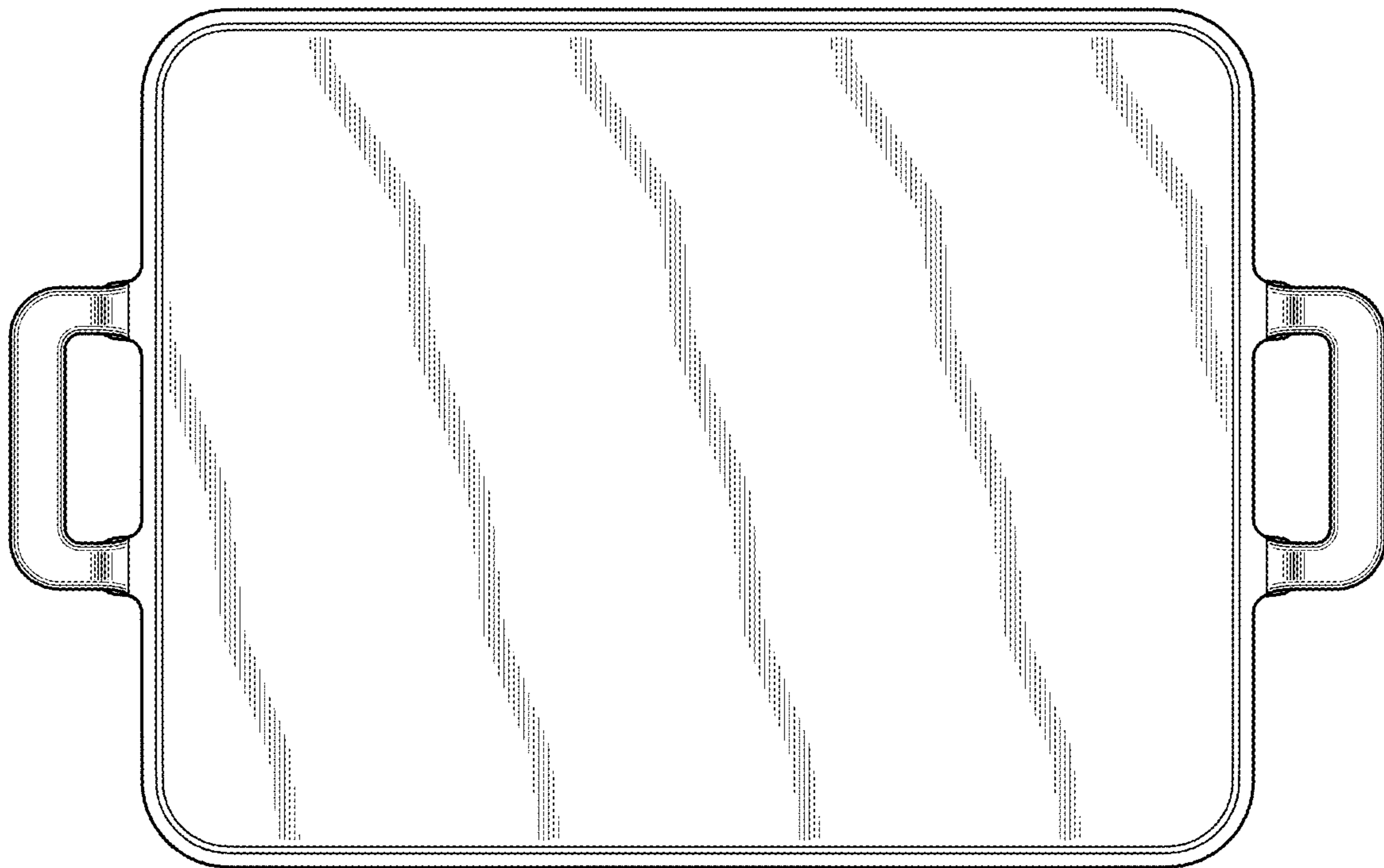


*Fig. 10*



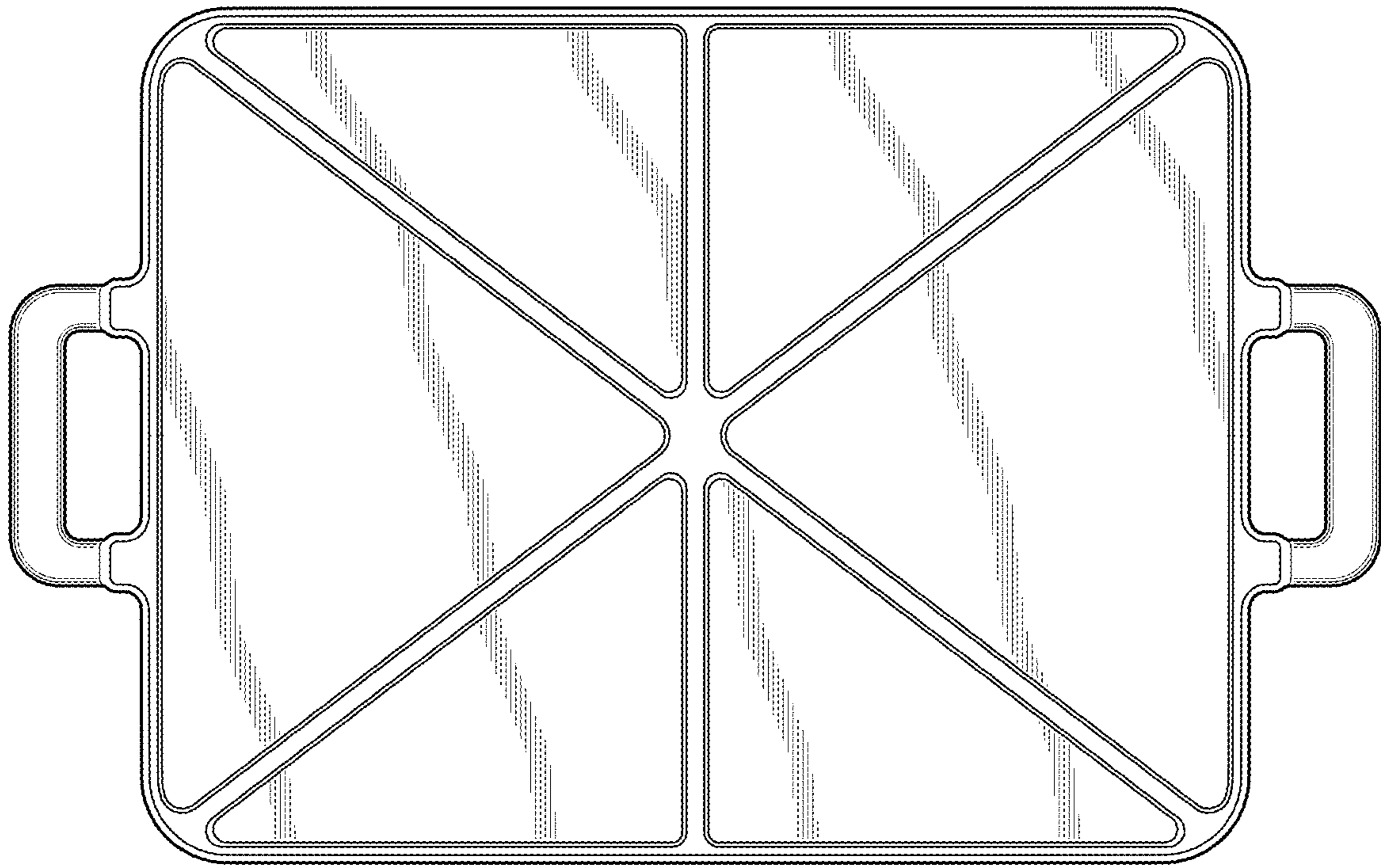


*Fig.11*

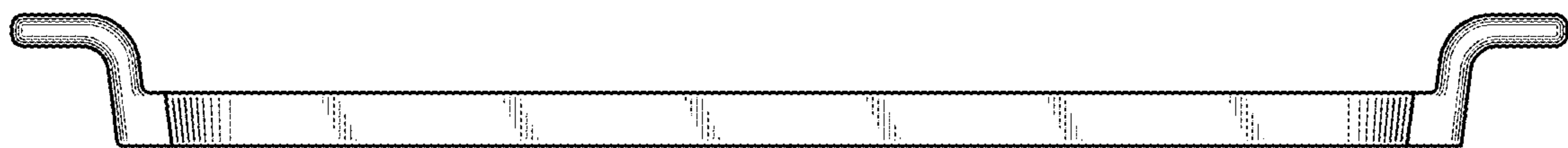


*Fig.12*

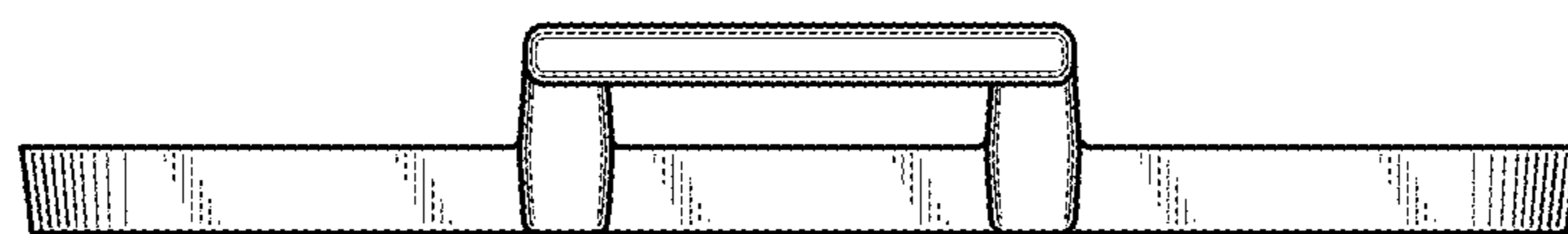




*Fig.13*



*Fig.14*



*Fig.15*