



US00D958583S

(12) **United States Design Patent**
Franzolin

(10) **Patent No.:** **US D958,583 S**
(45) **Date of Patent:** **** Jul. 26, 2022**

(54) **OVEN**
(71) Applicant: **UNOX S.p.A.**, Cadoneghe (IT)
(72) Inventor: **Enrico Franzolin**, Cadoneghe (IT)
(73) Assignee: **UNOX S.P.A.**, Cadoneghe (IT)
(**) Term: **15 Years**

(21) Appl. No.: **29/713,369**
(22) Filed: **Nov. 15, 2019**

(30) **Foreign Application Priority Data**

Oct. 14, 2019 (EM) 007021126

(51) **LOC (13) Cl.** **07-02**

(52) **U.S. Cl.**
USPC **D7/330**

(58) **Field of Classification Search**
USPC D7/328, 329, 330, 331, 339, 340, 341,
D7/342, 343, 344, 345, 346, 347, 348,
D7/349, 351, 352, 390, 402, 405, 406;
D21/523, 524
CPC A47J 37/08; A47J 37/0807; A47J 37/0814;
A47J 37/0821; A47J 37/0828; A47J
37/0835; A47J 37/0842; A47J 37/085;
A47J 37/0857; A47J 37/0864; A47J
37/0871; A47J 37/0878; A47J 37/0885;
A47J 37/0892; A47J 37/0611; A47J
37/0623; A47J 37/0629; A47J 37/00;
A47J 37/04; A47J 37/06; A21B 1/50;
A21B 1/52; A21B 5/00; F24C 15/02;
F24C 15/04; F24C 15/10

See application file for complete search history.

(56) **References Cited**

U.S. PATENT DOCUMENTS

D207,286 S * 3/1967 Bruder D7/351
D228,056 S * 8/1973 Koshiro et al. D7/351
D262,087 S * 12/1981 Suganoya D7/351
D267,851 S * 2/1983 Boldt D7/351
D394,583 S * 5/1998 Asawa D7/351

D510,230 S * 10/2005 Taira D7/351
D539,072 S * 3/2007 Kawata D7/350.4
D575,978 S * 9/2008 Borin D7/350.1
D618,489 S * 6/2010 Miyabayashi D7/351
D702,482 S * 4/2014 Davis D7/350.1
D722,468 S * 2/2015 Yamamoto D7/351

(Continued)

FOREIGN PATENT DOCUMENTS

JP 2005195255 A * 7/2005 F24C 15/025
JP 2018155441 A * 10/2018

OTHER PUBLICATIONS

BAKERLUX SHOP.PROTM GO, announced 2021 [online], retrieved Jan. 12, 2021, retrieved from internet, https://www.unox.com/us_us/lines/bakerlux_shoppro_go-11.html.*

Cadco XAFT-04HS-LD Half-Size Countertop Convection Oven, announced © 2001-2021 [online], retrieved Jan. 12, 2021, retrieved from internet, https://www.katom.com/516-XAFT04HSLD.html?gclid=Cj0KCQiArvX_BRCyARIsAKsnTxMzPU-e1Nrdikibt8DmBFrheofVAfgcTjWcwV3whOs4M8fW1eGaBZ4aArTgEALw_wcB.*

(Continued)

Primary Examiner — Messina L Smith

(74) *Attorney, Agent, or Firm* — Volpe Koenig

(57) **CLAIM**

The ornamental design for an oven, as shown and described.

DESCRIPTION

FIG. 1 is a front perspective view of an oven showing my new design;

FIG. 2 is a bottom front perspective view thereof;

FIG. 3 is a front elevational view thereof;

FIG. 4 is a left-side elevational view thereof;

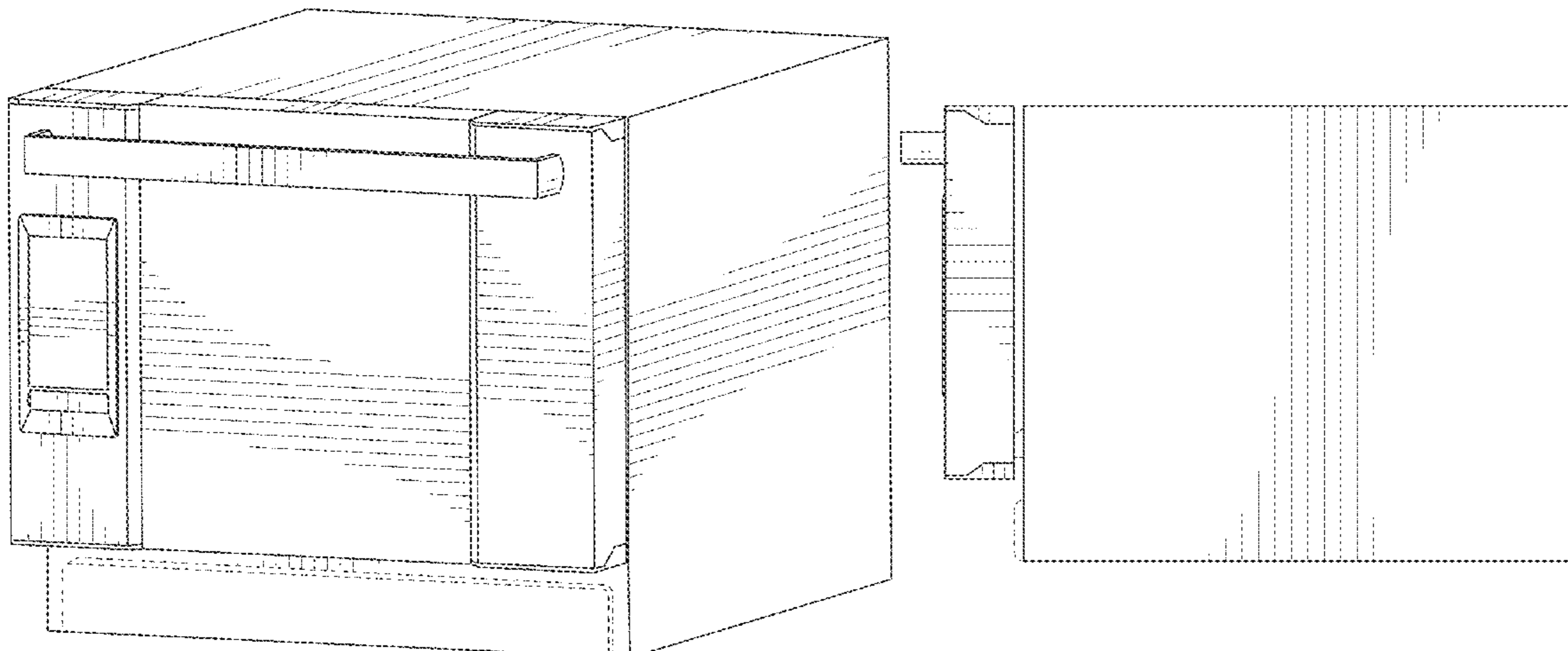
FIG. 5 is a right-side elevational view thereof;

FIG. 6 is a top plan view thereof; and,

FIG. 7 is a bottom plan view thereof.

The rear of the oven is flat and unornamented. The broken lines in the drawings show boundaries of the oven that form no part of the design.

1 Claim, 7 Drawing Sheets



(56)

References Cited

U.S. PATENT DOCUMENTS

D821,814 S * 7/2018 Carcano D7/405
D831,405 S * 10/2018 Carcano D7/348
D839,039 S * 1/2019 Marsh-Croft D7/350.1
D845,058 S * 4/2019 Hu D7/351
D853,188 S * 7/2019 Kim D7/405
D855,372 S * 8/2019 Ye D7/328
D861,409 S * 10/2019 Bhogal D7/328
D873,062 S * 1/2020 Bell D7/346
D883,741 S * 5/2020 Prentice D7/405
D893,934 S * 8/2020 Franssen D7/328
D899,175 S * 10/2020 Manicardi D7/339
D899,177 S * 10/2020 Reid D7/351
D903,395 S * 12/2020 Segato D7/339
2019/0045590 A1 * 2/2019 Kunimoto H05B 6/6482

OTHER PUBLICATIONS

Unox launches the first Speed Baking Oven, announced © 2009-2021 [online], retrieved Jan. 12, 2021, retrieved from internet, <https://www.sogoodmagazine.com/pastry-tools/pastry-equipment-machinery/unox-launches-first-speed-baking-oven/>.*

Unox reveals first ever baking speed oven, announced Oct. 22, 2019 [online], retrieved Jan. 12, 2021, retrieved from internet, <https://www.cateringinsight.com/unox-reveals-first-ever-baking-speed-oven/>.*

* cited by examiner

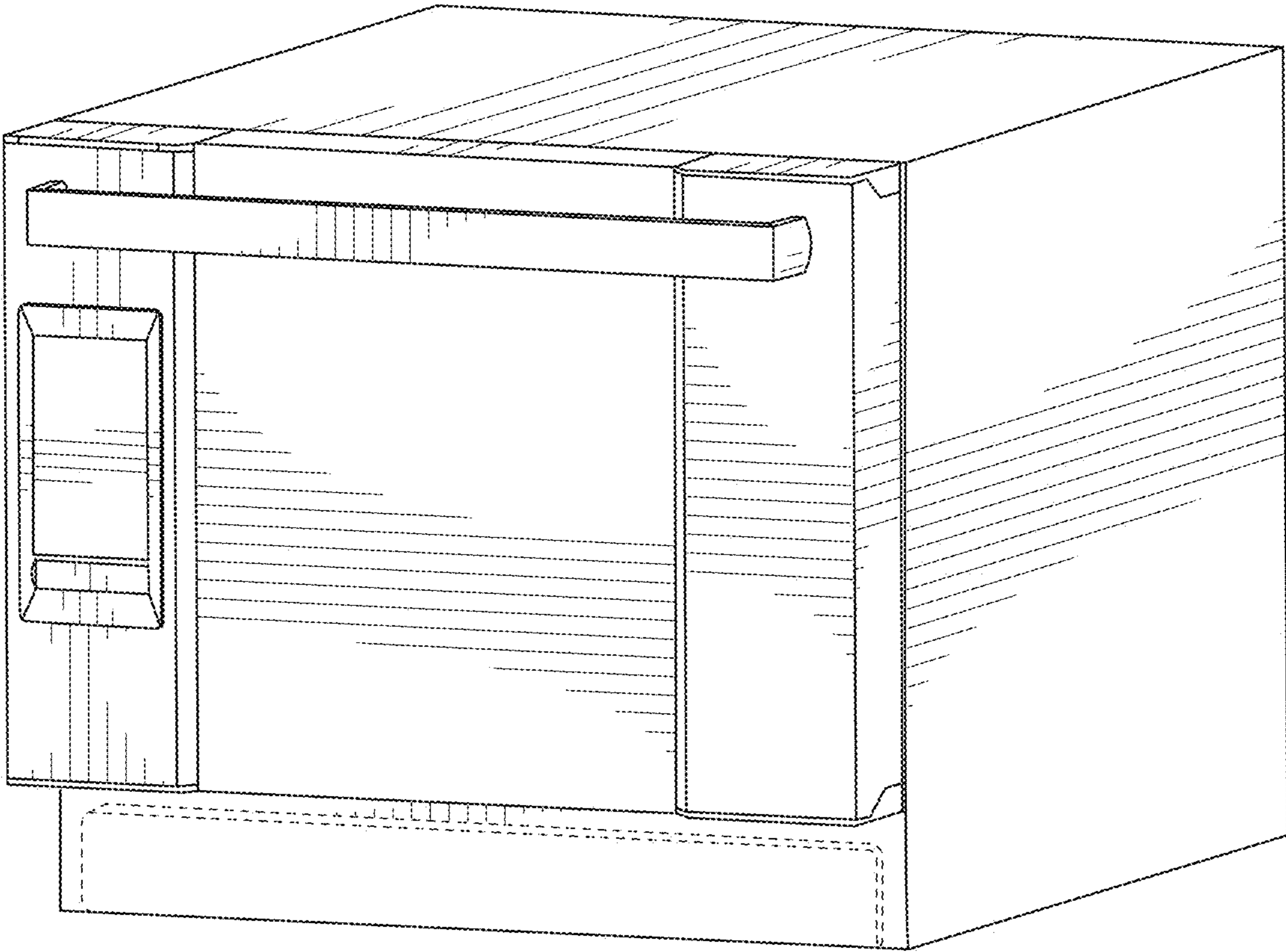


FIG. 1

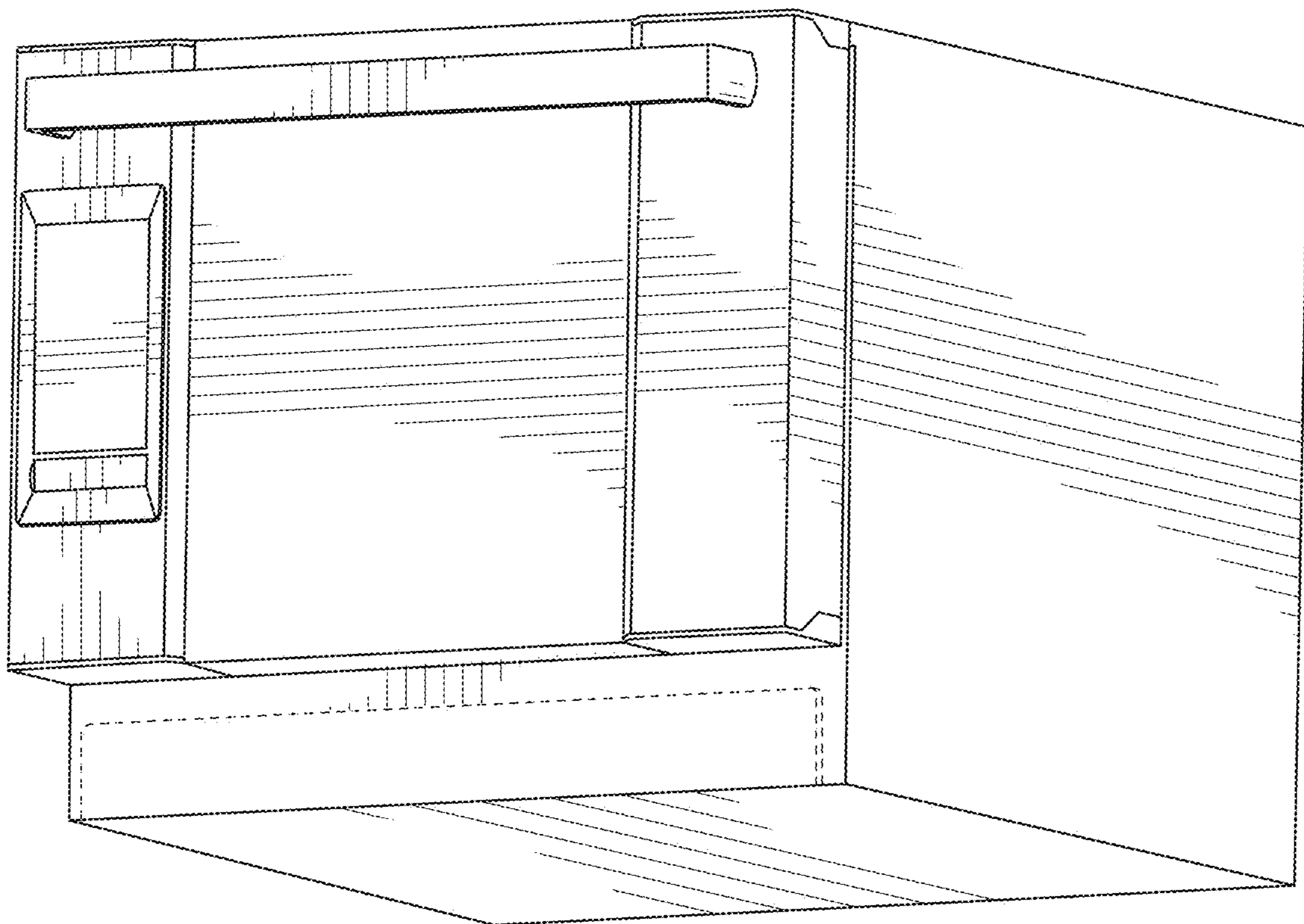


FIG. 2

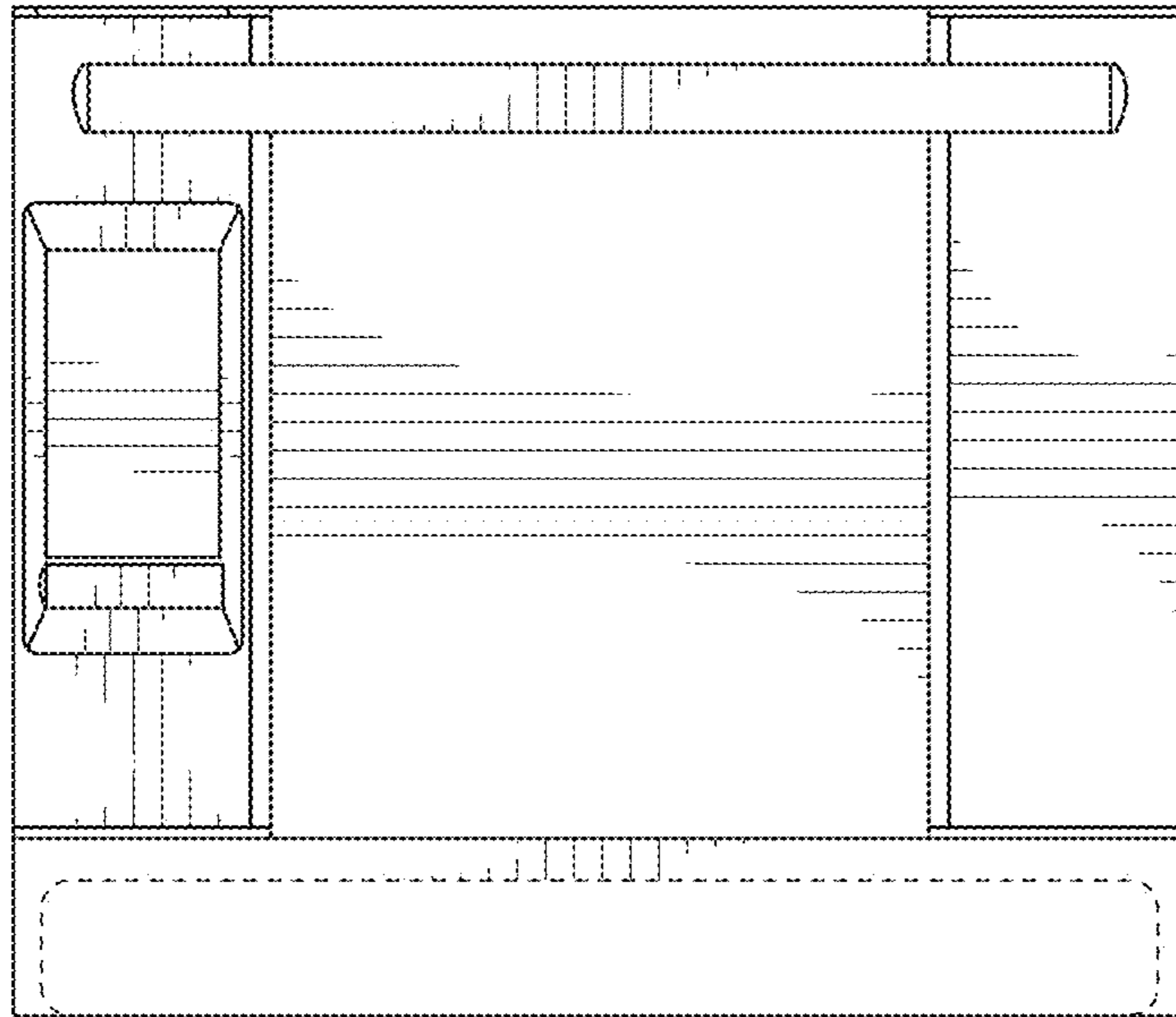


FIG. 3

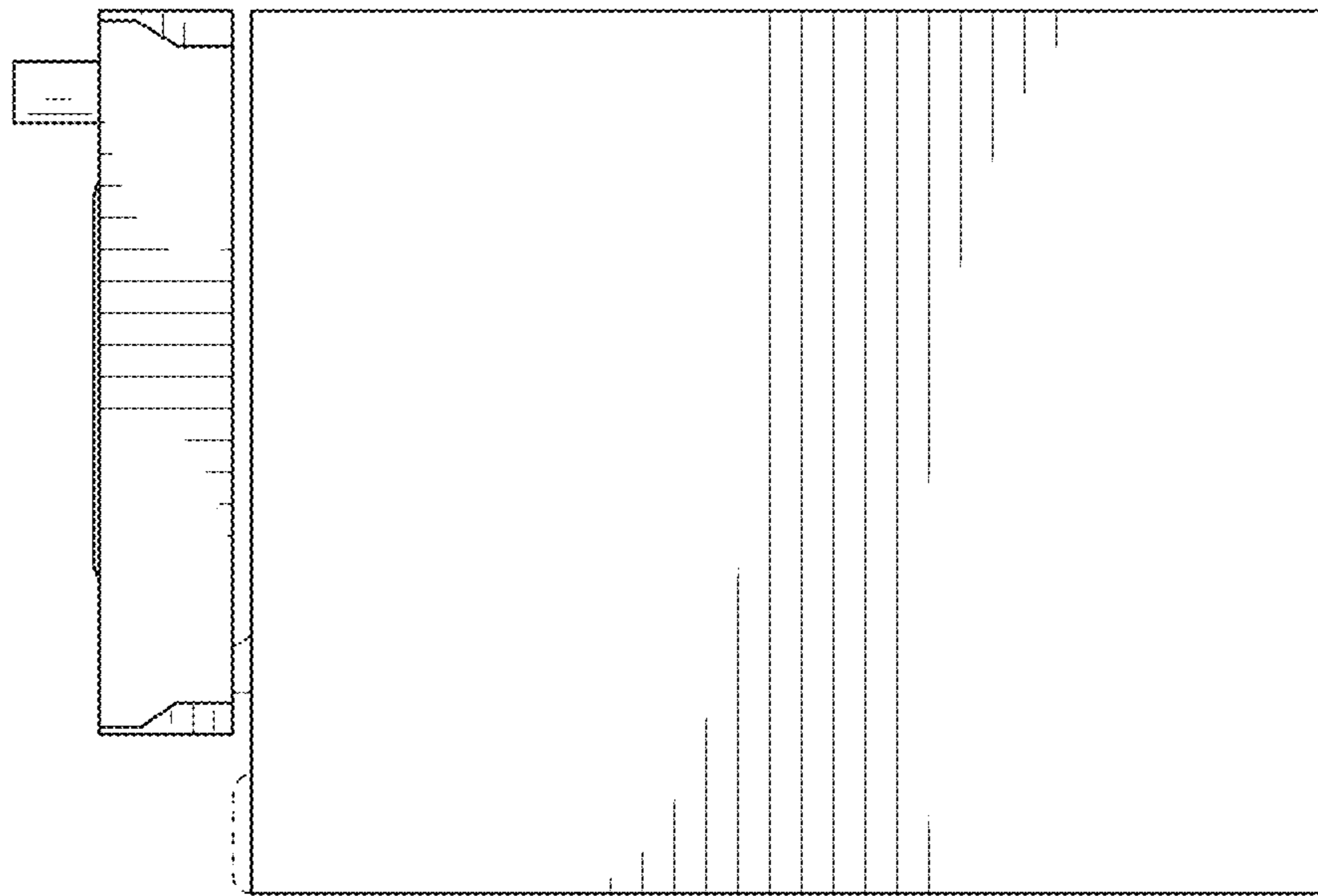


FIG. 4

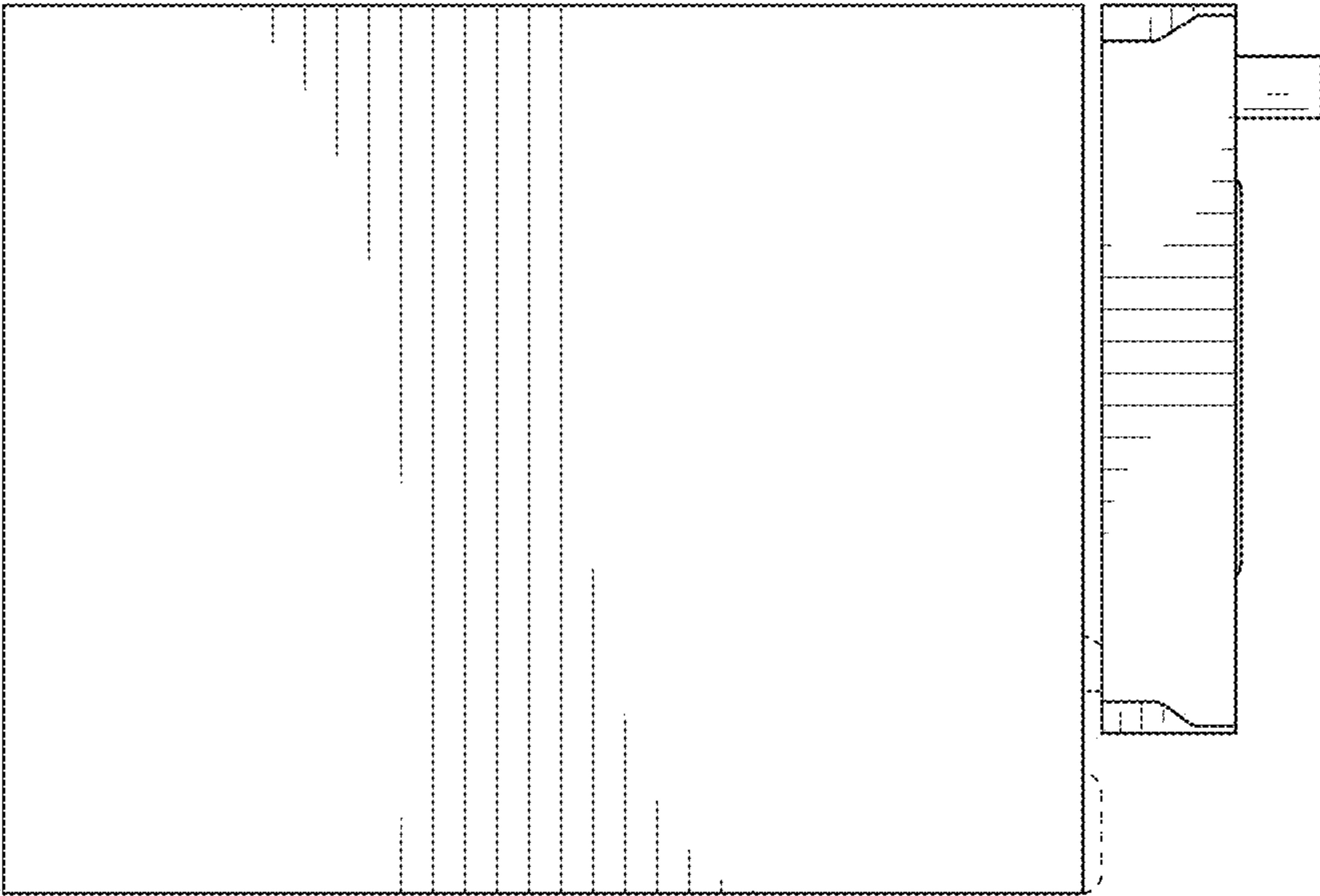


FIG. 5

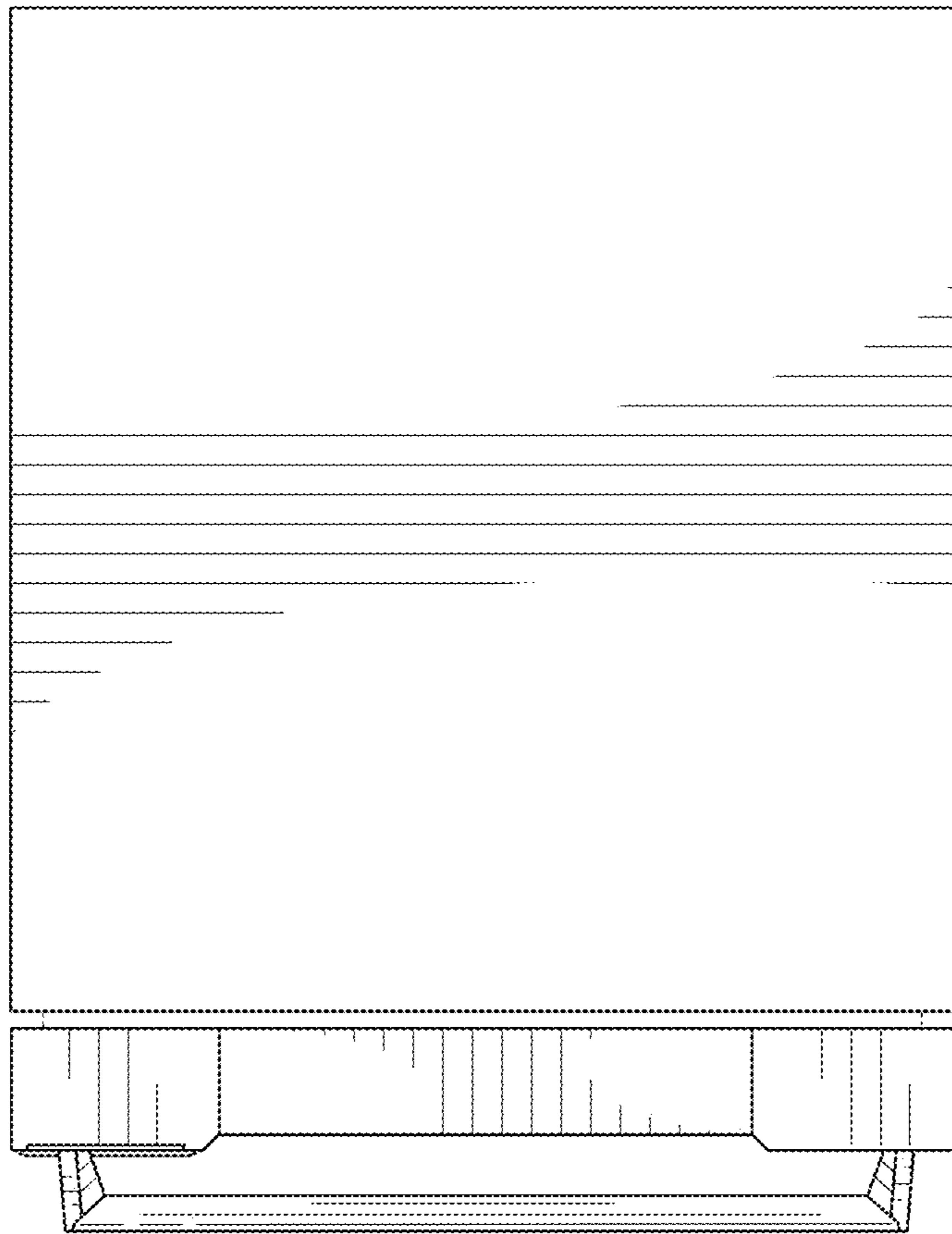


FIG. 6

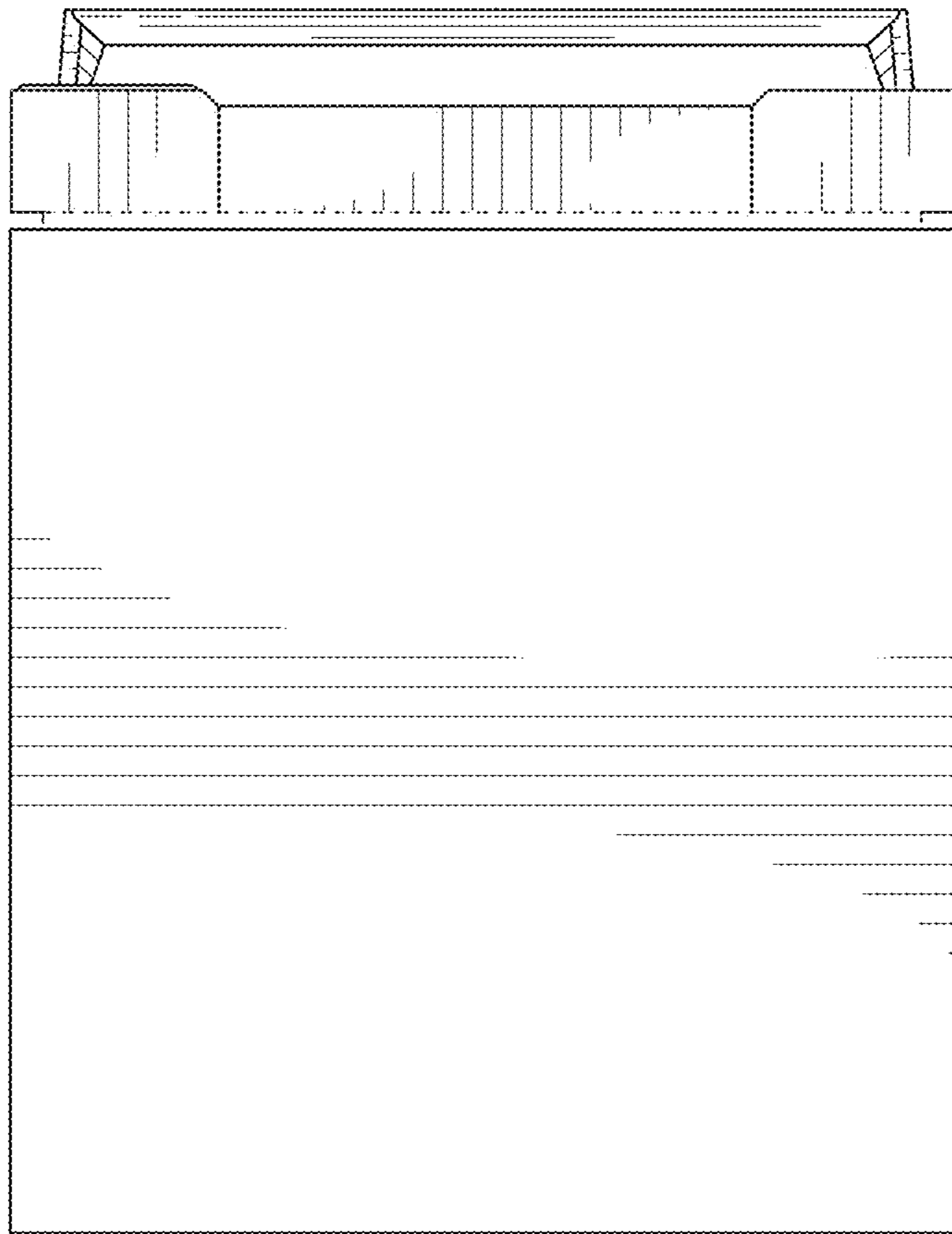


FIG. 7