



US00D958581S

(12) **United States Design Patent** (10) **Patent No.:** **US D958,581 S**  
**Wang** (45) **Date of Patent:** **\*\* Jul. 26, 2022**

(54) **FRENCH PRESS COFFEE MAKER**

D565,887 S \* 4/2008 Bodum ..... D7/317  
D567,006 S \* 4/2008 Bodum ..... D7/317  
D567,007 S \* 4/2008 Bodum ..... D7/317  
D594,267 S \* 6/2009 Bodum ..... D7/317  
D594,687 S \* 6/2009 Bodum ..... D7/300

(71) Applicant: **SHENZHEN LIYIJIUJIU NETWORK TECHNOLOGY CO., LTD.**, Shenzhen (CN)

(Continued)

(72) Inventor: **Xuzhong Wang**, Dongguan (CN)

**FOREIGN PATENT DOCUMENTS**

(73) Assignee: **SHENZHEN LIYIJIUJIU NETWORK TECHNOLOGY CO., LTD.**, Shenzhen (CN)

CA 80204 \* 3/1997  
CA 120081 \* 2/2008

(Continued)

(\*\*) Term: **15 Years**

**OTHER PUBLICATIONS**

(21) Appl. No.: **29/724,556**

Oxo, "Happy National Cappuccino Day!", Nov. 8, 2012, Facebook, www.facebook.com/OXO/photos/a.186300426872/10151316658901873 (Year: 2012).\*

(22) Filed: **Feb. 18, 2020**

(51) **LOC (13) Cl.** ..... **07-01**

(Continued)

(52) **U.S. Cl.**  
USPC ..... **D7/319; D7/317**

(58) **Field of Classification Search**  
USPC ..... D7/300, 302, 303, 312, 316-319, 321, D7/322, 373, 399, 415, 507, 509-511, D7/600; D10/46.2; D9/524, 526, 527  
CPC ..... A47G 19/14; A47G 19/145; A47G 19/16; A47J 31/005; A47J 31/18; A47J 31/20; A47J 31/38; B65D 23/06

*Primary Examiner* — Joseph Kukella  
*Assistant Examiner* — Arva P Adams

(57) **CLAIM**

The ornamental design for a French press coffee maker, as shown and described.

See application file for complete search history.

**DESCRIPTION**

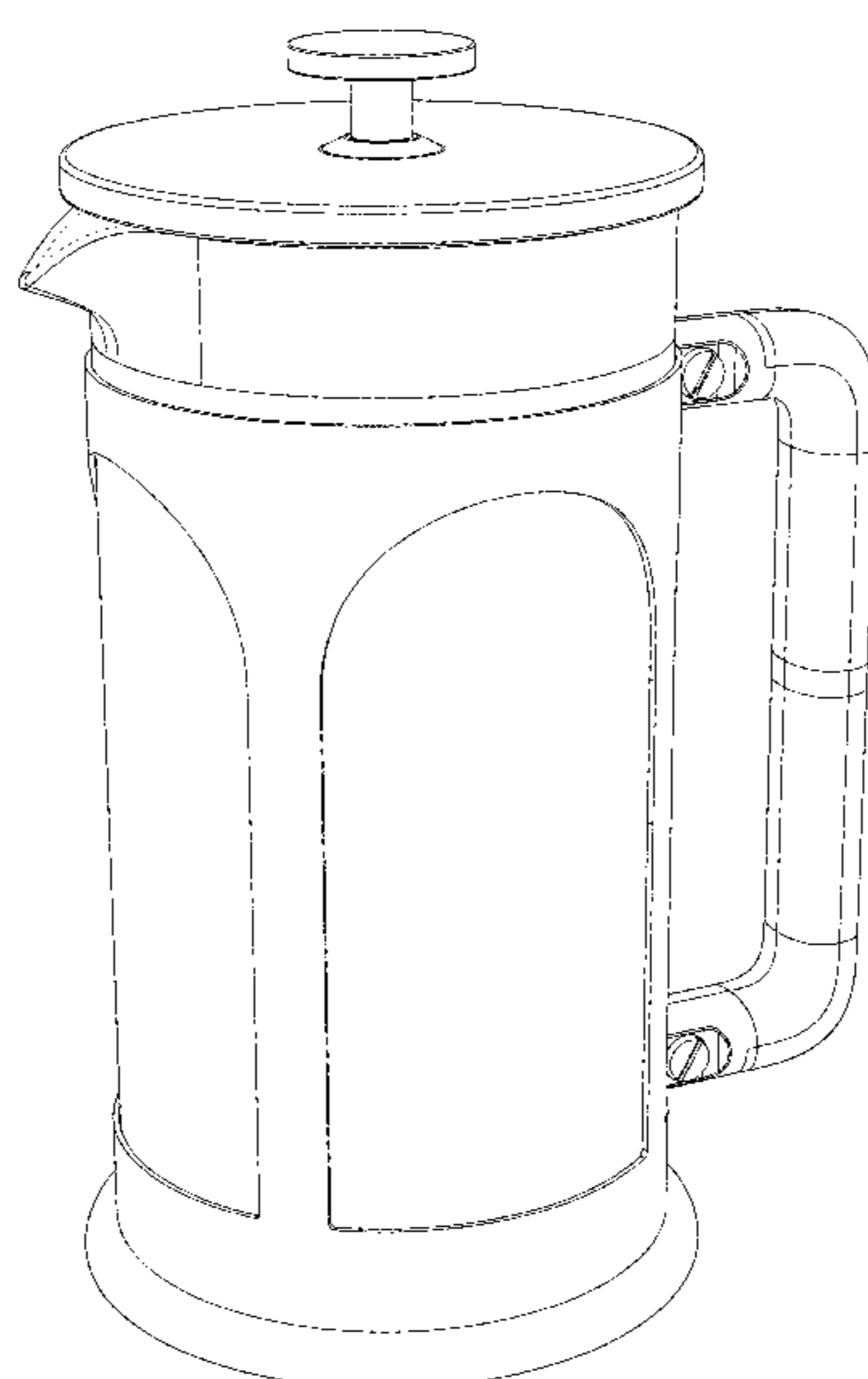
FIG. 1 is a top-right perspective view a French press coffee maker, showing my new design;  
FIG. 2 is bottom-right perspective view thereof;  
FIG. 3 is a front elevational view thereof;  
FIG. 4 is a rear elevational view thereof;  
FIG. 5 is a bottom plan view thereof;  
FIG. 6 is a top plan view thereof;  
FIG. 7 is a right side elevational view thereof; and,  
FIG. 8 is a left side elevational view thereof.  
The broken lines in the drawings depict portions of the French press coffee maker that form no part of the claimed design.

(56) **References Cited**

**U.S. PATENT DOCUMENTS**

D377,132 S \* 1/1997 Jørgensen ..... D7/318  
D383,638 S \* 9/1997 Joergensen ..... D7/317  
D383,639 S \* 9/1997 Jorgensen ..... D7/318  
D384,539 S \* 10/1997 Joergensen ..... D7/316  
D384,540 S \* 10/1997 Joergensen ..... D7/317  
D386,040 S \* 11/1997 Joergensen ..... D7/317  
D386,351 S \* 11/1997 Joergensen ..... D7/317  
D458,074 S \* 6/2002 Bodum ..... A47J 31/20  
D7/317  
D513,919 S \* 1/2006 Bodum ..... D7/317  
D559,028 S \* 1/2008 Appleton ..... D7/317

**1 Claim, 8 Drawing Sheets**



(56)

References Cited

OTHER PUBLICATIONS

U.S. PATENT DOCUMENTS

D610,860	S	*	3/2010	Bodum	.....	D7/319
D654,756	S	*	2/2012	Bodum	.....	D7/319
D663,155	S	*	7/2012	Bodum	.....	D7/319
D677,103	S	*	3/2013	Melzer	.....	D7/319
D718,566	S	*	12/2014	Lu	.....	D7/319
D718,567	S	*	12/2014	Lu	.....	D7/319
D755,018	S	*	5/2016	Liotta	.....	D7/622
D795,630	S	*	8/2017	McLean	.....	D7/317
D802,977	S	*	11/2017	Bodum	.....	D7/317
2011/0088561	A1	*	4/2011	Bodum	.....	A47J 31/20 99/297
2021/0085121	A1	*	3/2021	Liang	.....	A47J 31/20

FOREIGN PATENT DOCUMENTS

CN	305841244	*	6/2020
EM	000842489-0002	*	1/2008
ES	D0511503-01	*	1/2011
JP	D1541678	*	1/2016
WO	WO-D072507-001	*	4/2010
WO	WO-D094953-001	*	3/2017

Yolkshire, "A piping hot French Press Coffee is just what you need when the #WinterIsComing," Jul. 17, 2017, Instagram, [www.instagram.com/p/BWojNdbAN8K/](http://www.instagram.com/p/BWojNdbAN8K/) (Year: 2017).\*

Creative Home, "Creative Home Glass French Press Coffee Plunger/Tea Maker," Oct. 11, 2017, Amazon.com, [www.amazon.com/dp/B076CH3TSL](http://www.amazon.com/dp/B076CH3TSL) (Year: 2017).\*

Brim, "Brim 8 Cup French Press Instruction Manual," Apr. 4, 2019, Brim Brands LLC, pp. 1, 3, 4, and 14. (Year: 2019).\*

Theredheadedjen, "Yes, I am well aare that I'm brewing a French press coffee at 2000.," Dec. 28, 2019, Instagram, [www.instagram.com/p/B6o4rx5AmrN/](http://www.instagram.com/p/B6o4rx5AmrN/) (Year: 2019).\*

Sincerely Hers, "Bronze Tone 1 Liter Large Glass and Stainless Steel French Press Coffee and Loose Tea Maker," Aug. 16, 2019, Amazon.com, [www.amazon.com/dp/B07WH3HPYL](http://www.amazon.com/dp/B07WH3HPYL) (Year: 2019).\*

Kingfishercafe\_simcoe, "It's a French Press coffee afternoon here in Cancun.," Dec. 21, 2019, Instagram, [www.instagram.com/p/B6V9xwWBdMt/](http://www.instagram.com/p/B6V9xwWBdMt/) (Year: 2019).\*

Veken, "Veken French Press Coffee & Tea Maker," Jul. 28, 2020, Amazon.com, [www.amazon.com/dp/B08DQV7WKW](http://www.amazon.com/dp/B08DQV7WKW) (Year: 2020).\*

\* cited by examiner

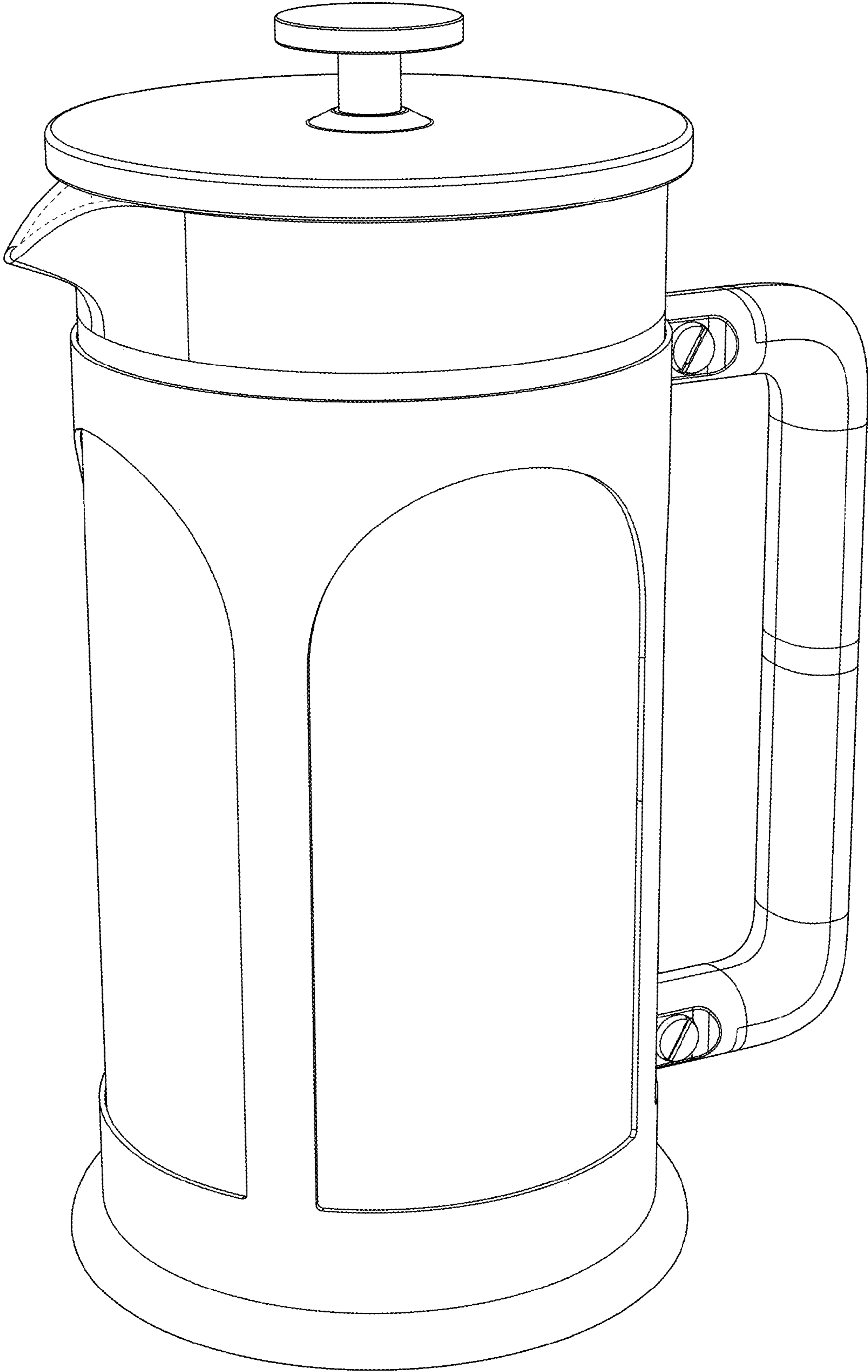


FIG. 1

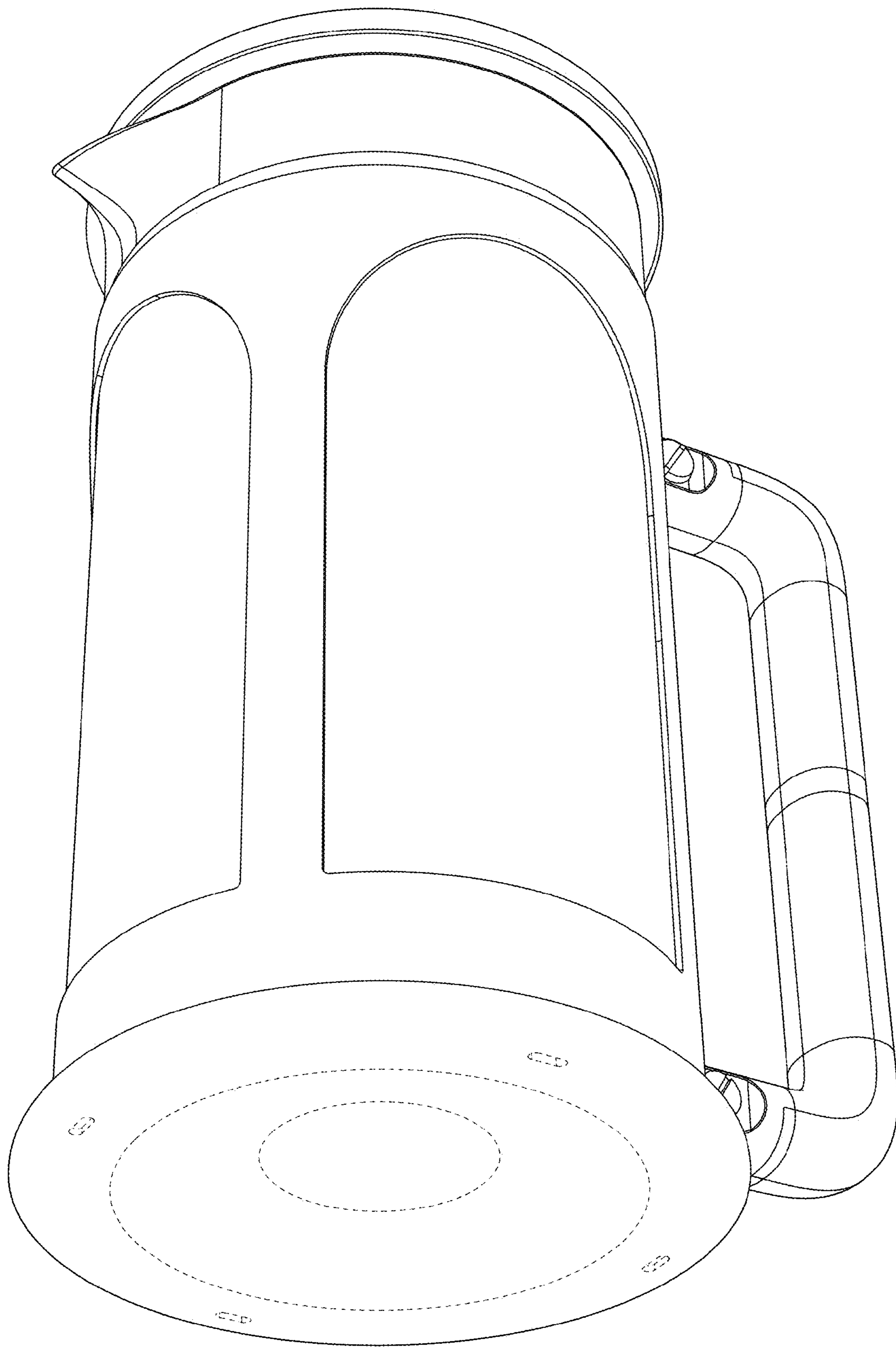


FIG. 2

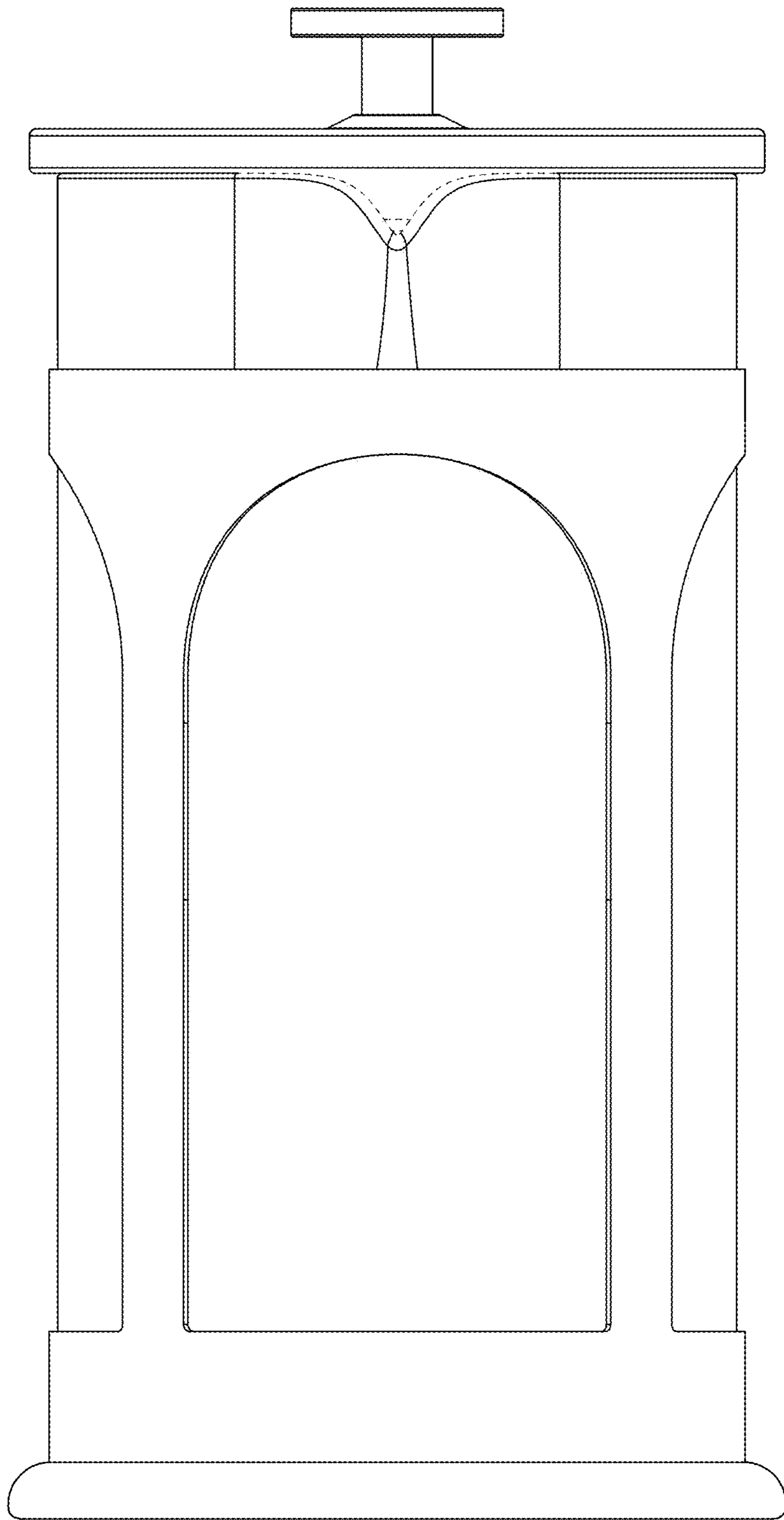


FIG. 3

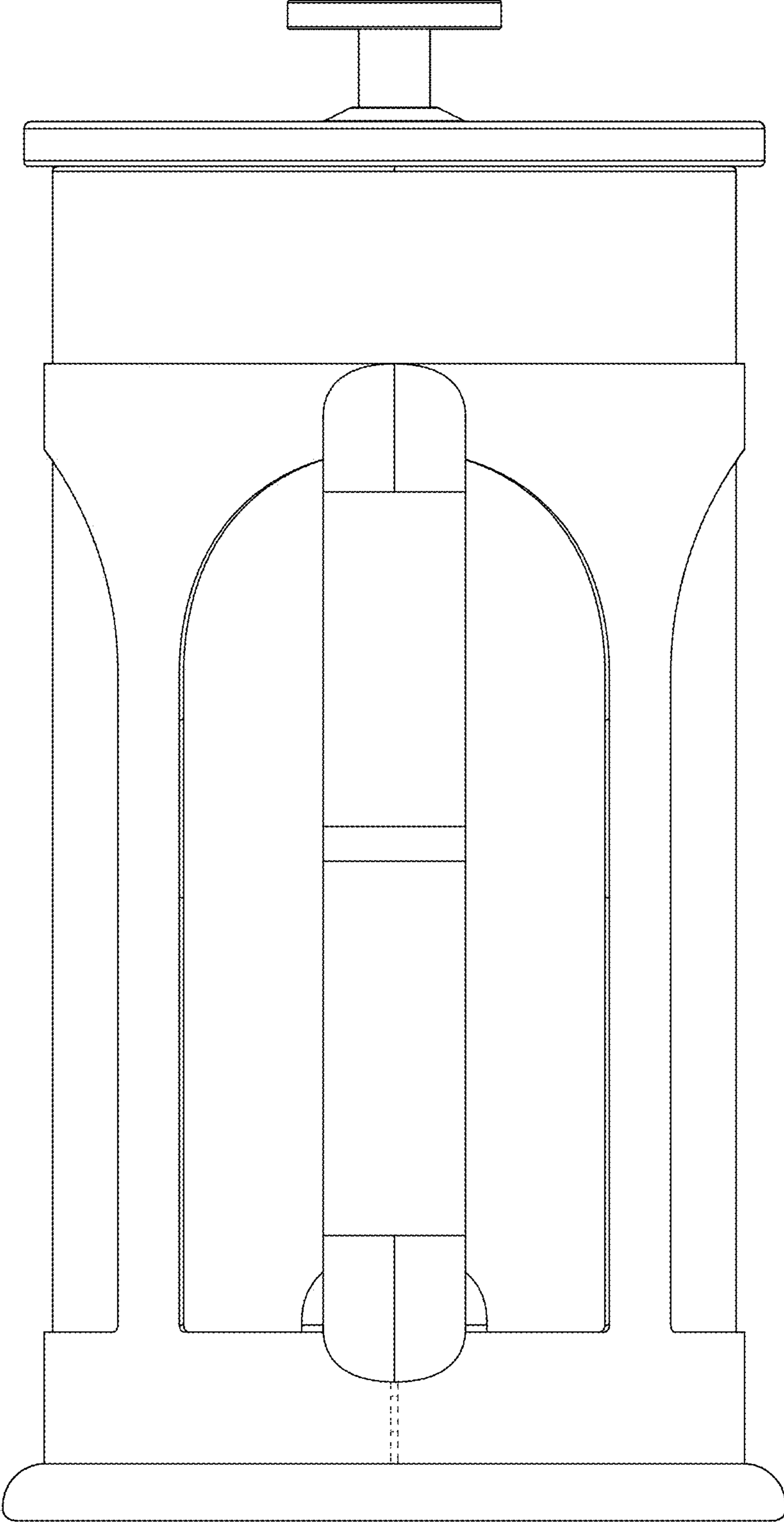


FIG. 4

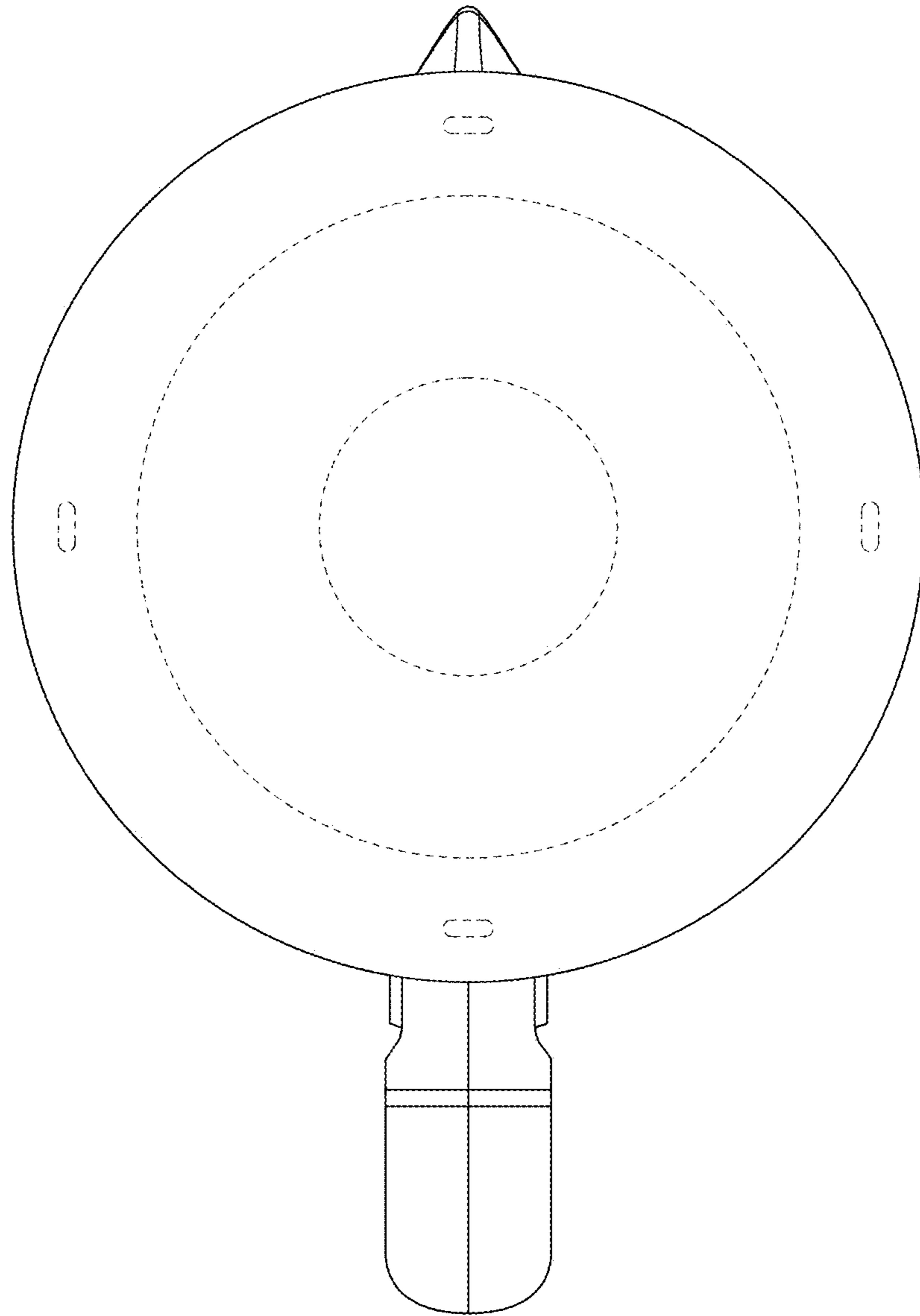


FIG. 5

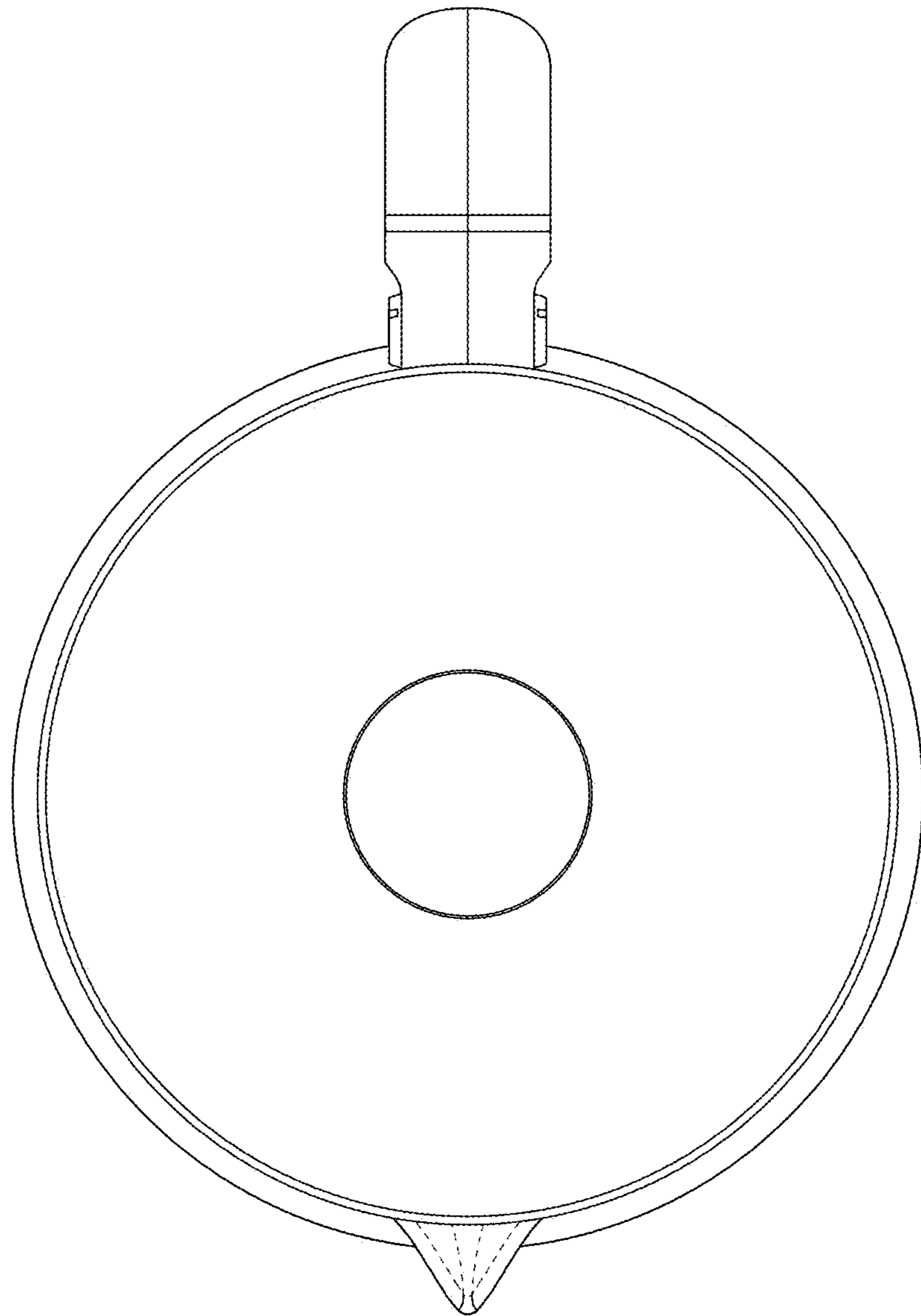


FIG. 6



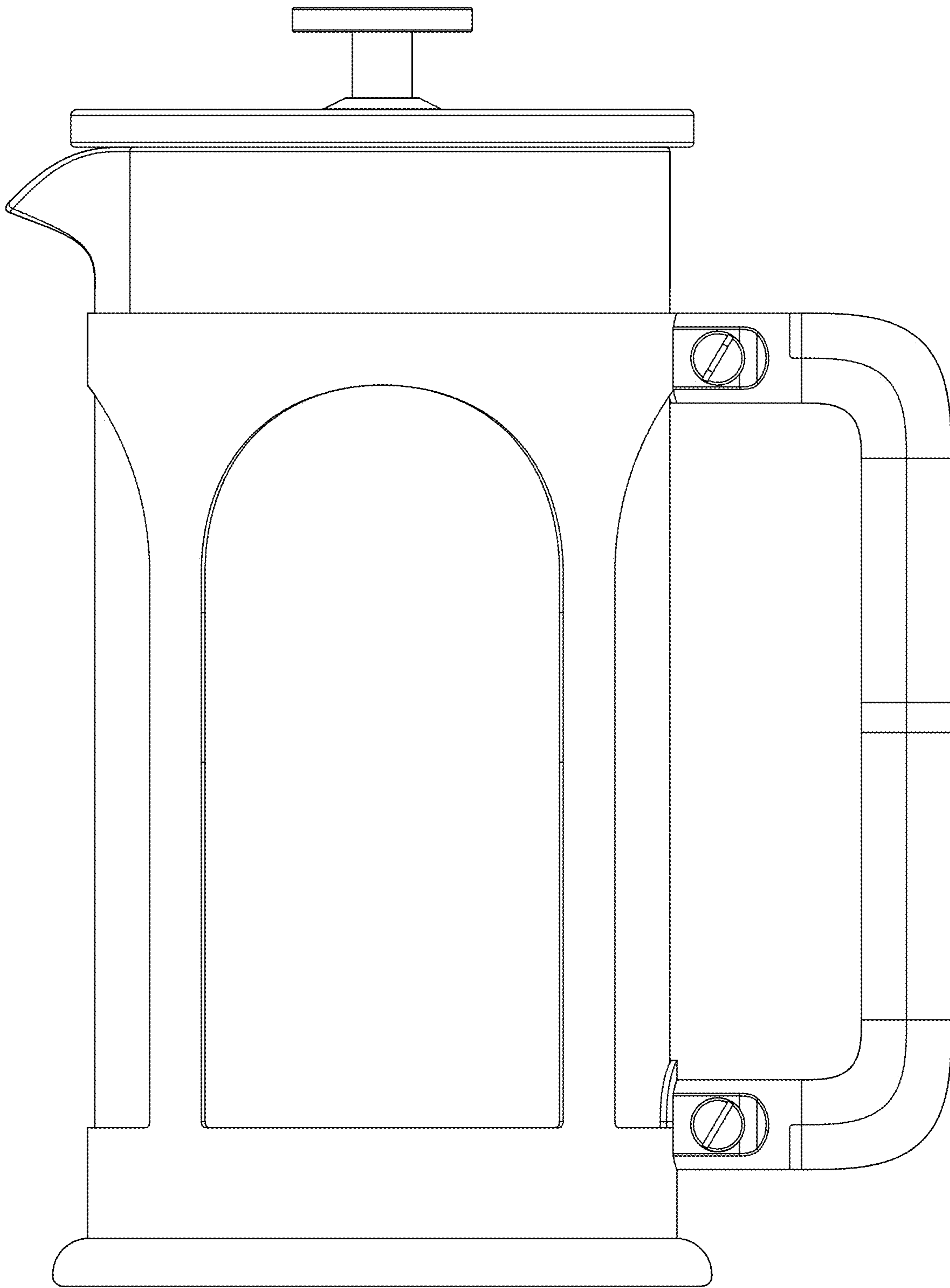


FIG. 7

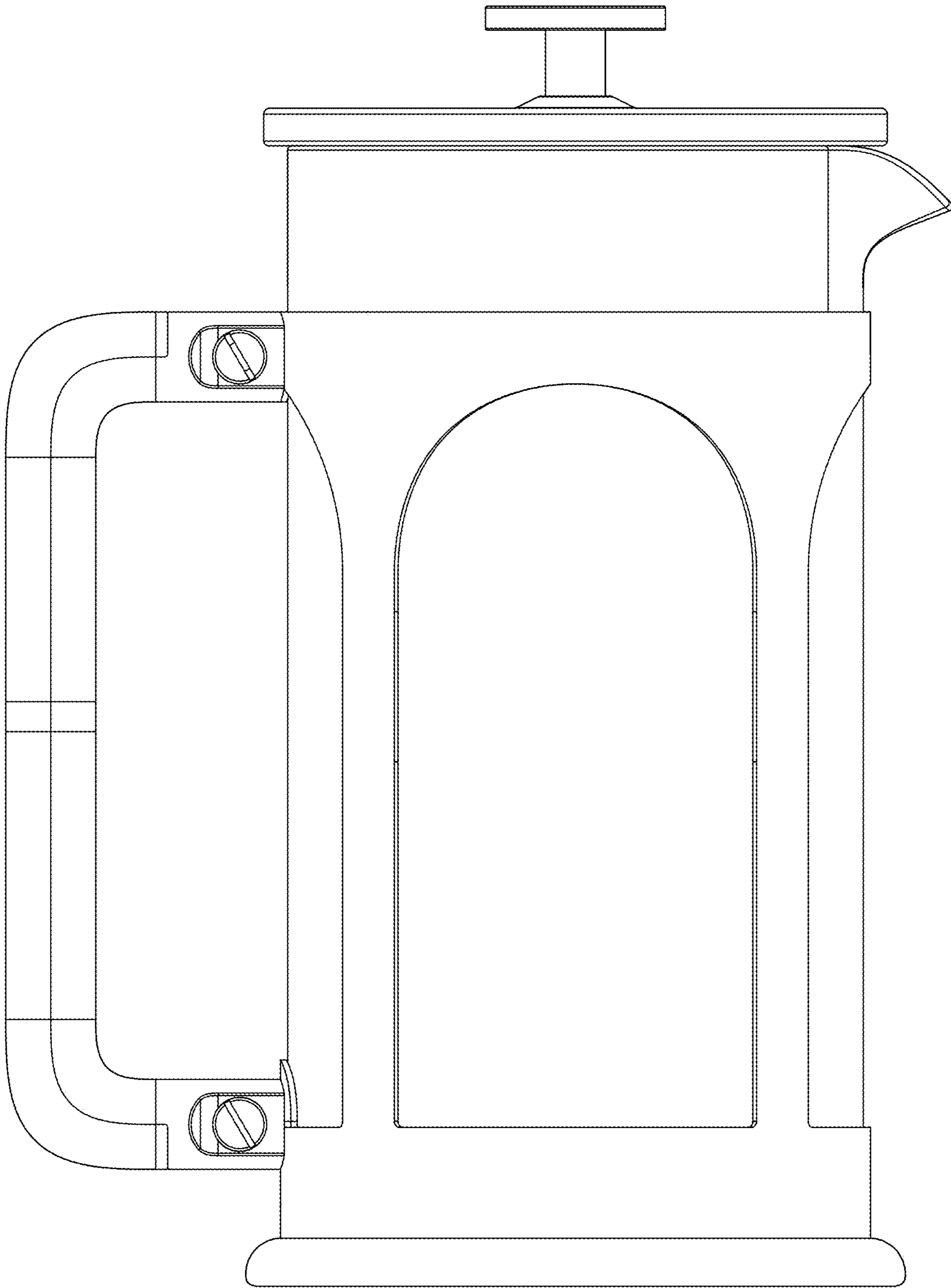


FIG. 8