



US00D958580S

(12) **United States Design Patent** (10) **Patent No.:** **US D958,580 S**
Gale (45) **Date of Patent:** **** Jul. 26, 2022**

(54) **COFFEE PRESS**
(71) Applicant: **Darren Alexander Gale**, Orange, MA (US)
(72) Inventor: **Darren Alexander Gale**, Orange, MA (US)
(**) Term: **15 Years**
(21) Appl. No.: **29/733,499**
(22) Filed: **May 4, 2020**
(51) **LOC (13) Cl.** **07-01**
(52) **U.S. Cl.**
USPC **D7/317**
(58) **Field of Classification Search**
USPC ... D7/300, 312, 316-322, 392.1, 396.2, 598,
D7/600, 667-669; D23/209
CPC .. A47J 31/20; A47J 31/24; A47J 31/36; A47J
31/38
See application file for complete search history.

D386,040 S 11/1997 Joergensen
D441,248 S 5/2001 Brady
D448,603 S 10/2001 Yeh
D449,957 S 11/2001 Yeh
D493,662 S * 8/2004 Bodum A47J 31/20
D7/319
D500,626 S 1/2005 Ranzoni
D511,644 S 11/2005 Dilollo et al.
D542,078 S 5/2007 Bodum
(Continued)

FOREIGN PATENT DOCUMENTS

EM 000829577-0002 * 12/2007 A47J 31/18
WO WO-2016054339 A1 * 4/2016 A47J 31/18
WO WO-D088558-001 * 5/2016 A47J 31/02

OTHER PUBLICATIONS

Backcountry.com, "Snow Peak Titanium Cafe Press," Sep. 13, 2010, Backcountry.com, www.backcountry.com/snow-peak-titanium-cafe-press (Year: 2010).
(Continued)

Primary Examiner — Joseph Kukella
Assistant Examiner — Arva P Adams

(56) **References Cited**

U.S. PATENT DOCUMENTS

391,617 A * 10/1888 Idle A47J 31/20
99/287
444,572 A * 1/1891 Williams A47J 31/20
99/319
1,927,701 A * 9/1933 Ferrando A47J 31/20
99/287
2,562,433 A 7/1951 Moore
2,868,110 A * 1/1959 Kehoe A47J 31/20
138/46
2,935,928 A * 5/1960 Keating A47J 31/20
99/287
3,307,474 A * 3/1967 Kasher A47J 31/20
99/298
D236,179 S 8/1975 Greger
3,927,608 A 12/1975 Doyel
4,596,337 A 6/1986 Gerold et al.
5,461,968 A 10/1995 Portman

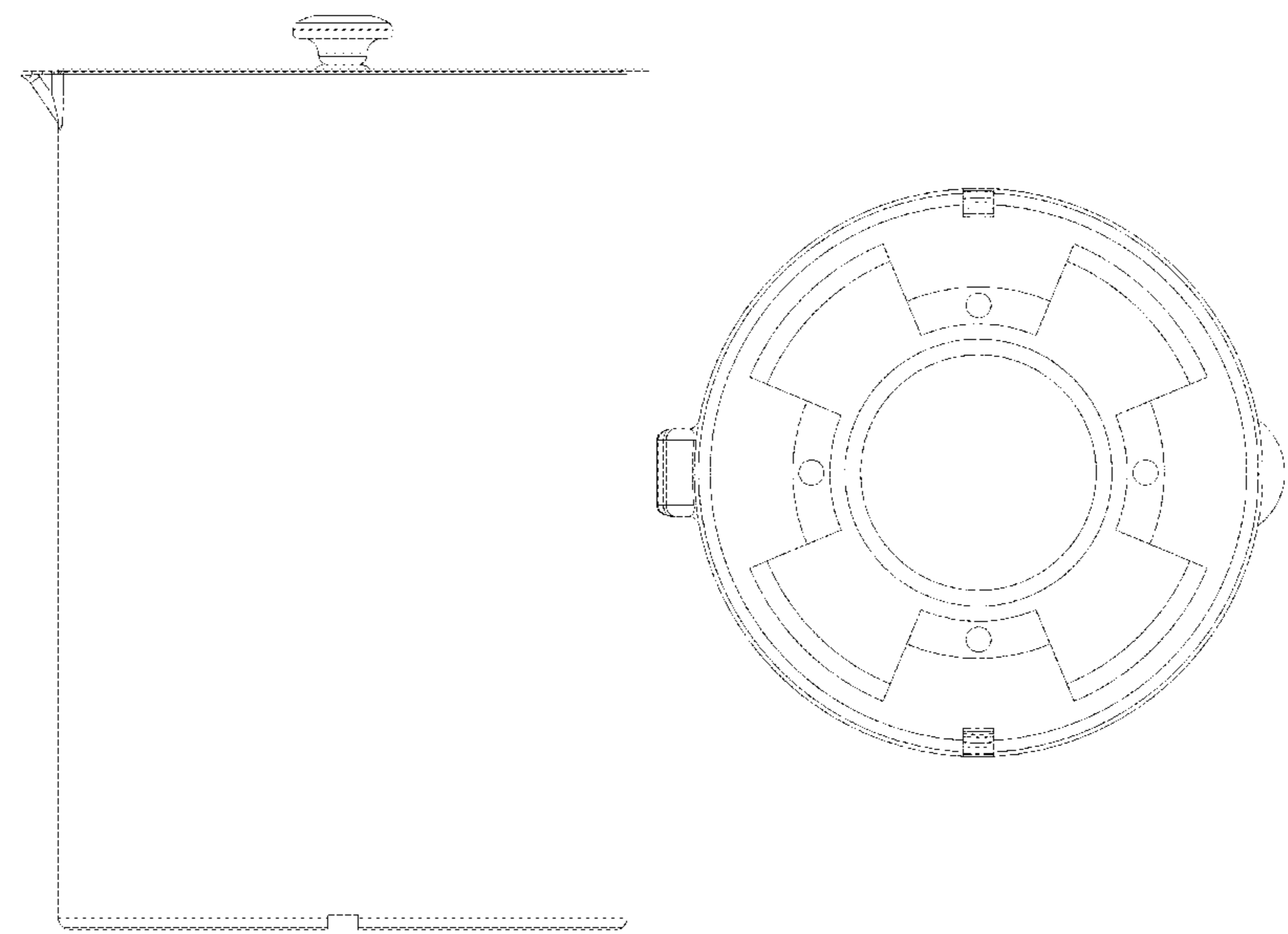
(57) **CLAIM**

I claim the ornamental design for a coffee press, as shown.

DESCRIPTION

FIG. 1 is a top orthographic view of a coffee press, showing my new design.
FIG. 2 is a front orthographic view thereof, the rear being a mirror image of the same.
FIG. 3 is a bottom orthographic view thereof; and,
FIG. 4 is a front section view thereof, taken along the lines of 4-4 of FIG. 1.
The broken lines show environmental subject matter that forms no part of the claimed design.

1 Claim, 4 Drawing Sheets



(56)

References Cited

U.S. PATENT DOCUMENTS

D557,978	S	12/2007	Bodum	
D559,028	S	1/2008	Appleton	
D559,030	S	1/2008	Bodum	
D563,713	S *	3/2008	Bodum A47J 31/20 D7/319
D584,559	S *	1/2009	Bodum A47J 31/20 D7/319
D594,267	S *	6/2009	Bodum A47J 31/20 D7/319
D691,409	S *	10/2013	Dichraff A47J 31/20 D7/317
D867,058	S *	11/2019	Spivey A47J 31/20 D7/392.1
2017/0360240	A1 *	12/2017	Morse A47J 31/20
2018/0110357	A1 *	4/2018	Eisenberg A47J 31/20
2020/0015619	A1 *	1/2020	Chimezie A47J 31/38

OTHER PUBLICATIONS

ESPRO Inc., "ESPRO P6 French Press," Oct. 1, 2019, Amazon.com, www.amazon.com/dp/B011WTWFZK?th=1 (Year: 2019).*

* cited by examiner

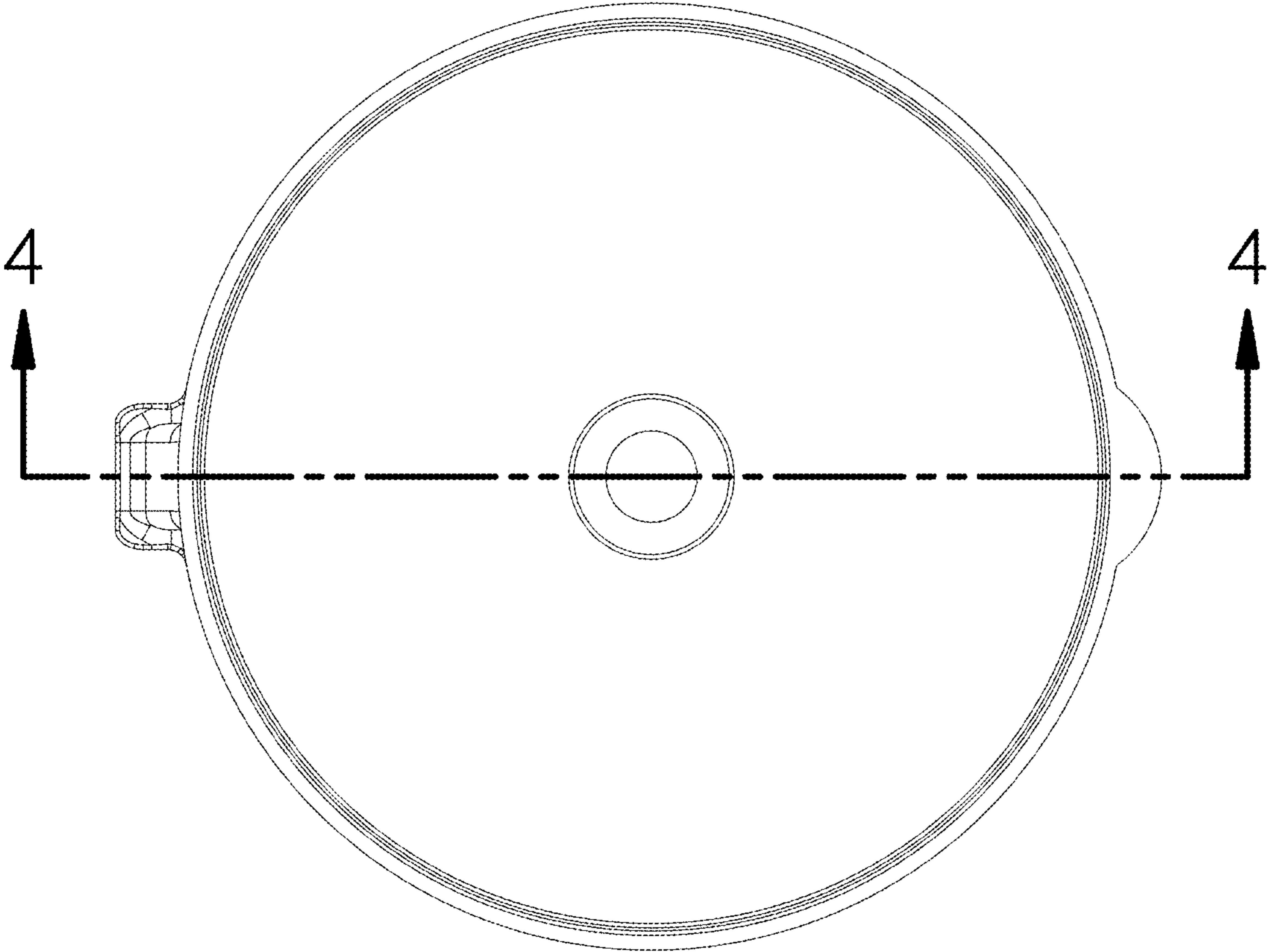


FIGURE I

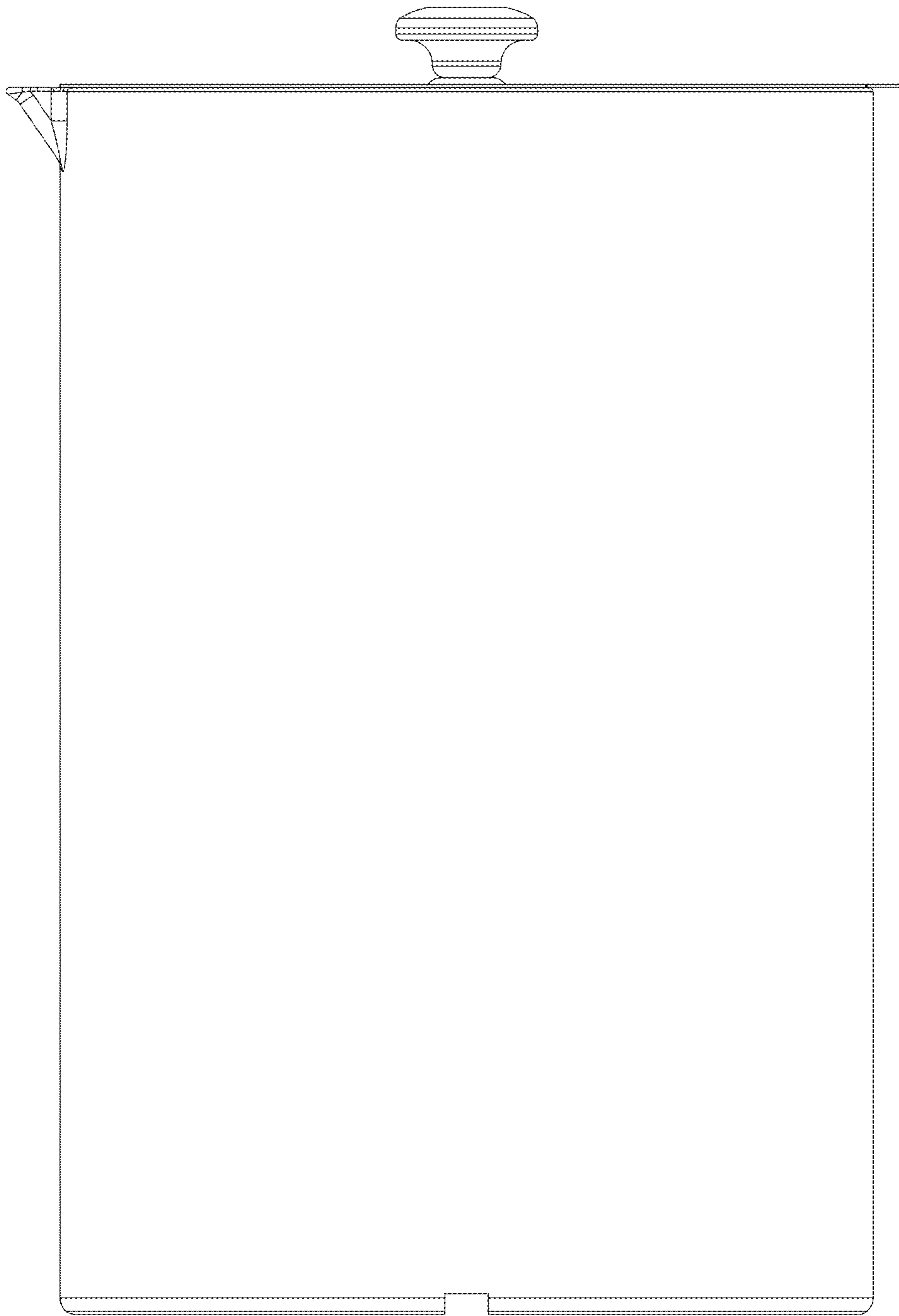


FIGURE 2

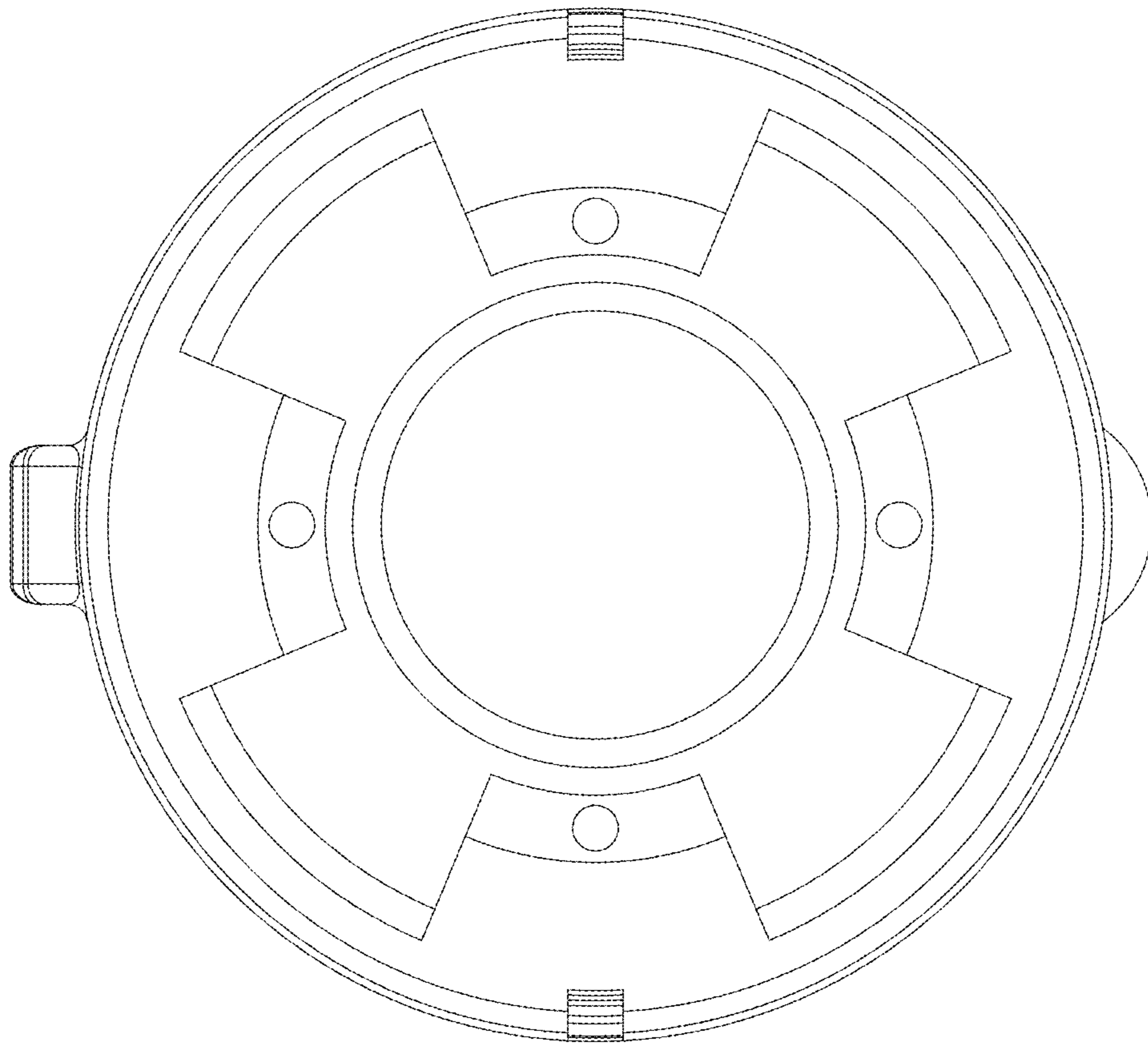


FIGURE 3

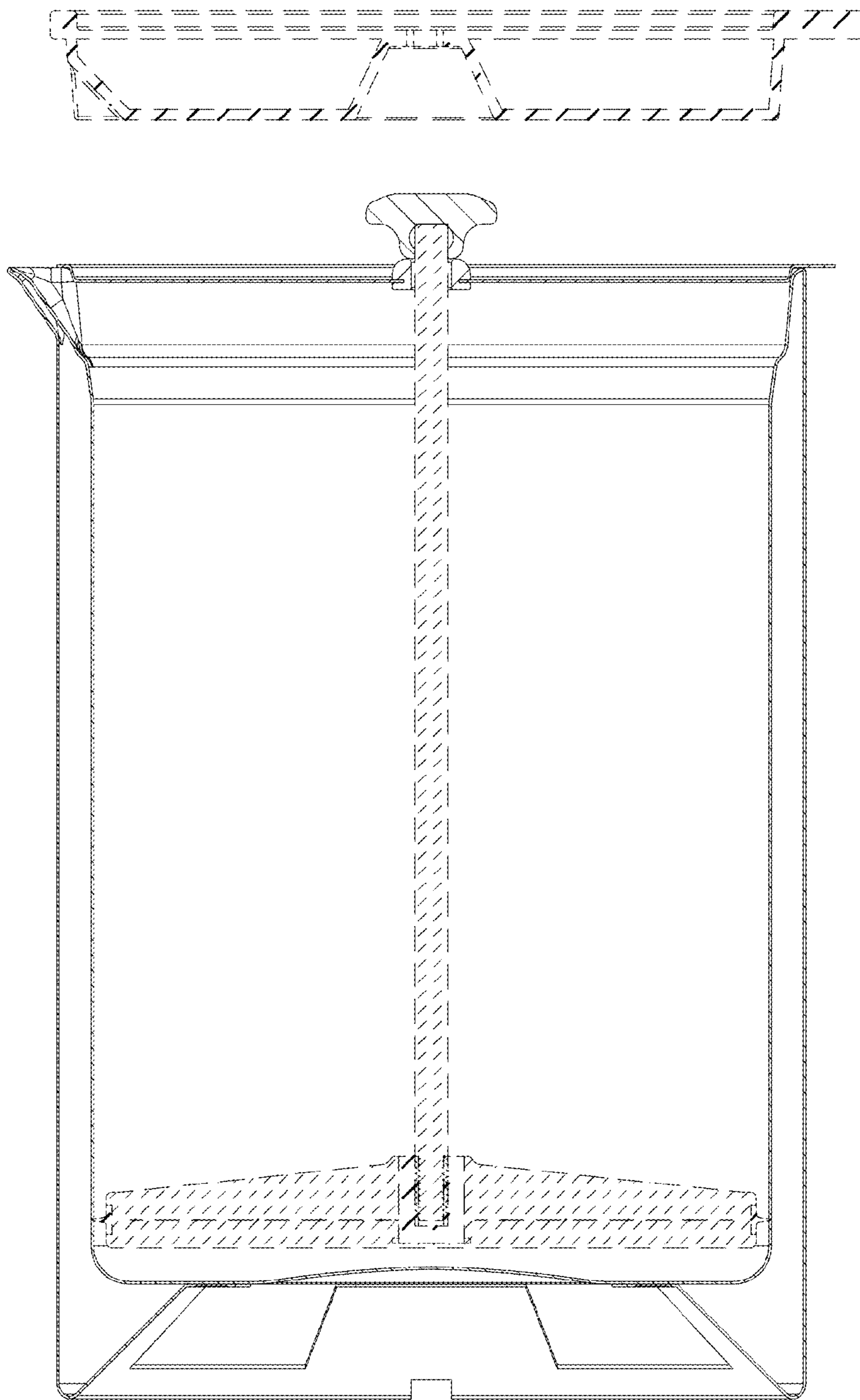


FIGURE 4