



US00D958579S

(12) **United States Design Patent**  
**Nabeiro et al.**

(10) **Patent No.:** **US D958,579 S**  
(45) **Date of Patent:** **\*\* Jul. 26, 2022**

(54) **ESPRESSO COFFEE MACHINE**  
(71) Applicant: **NOVADELTA—COMÉRCIO E**  
**INDÚSTRIA DE CAFÉS LDA,**  
Lisbon (PT)  
(72) Inventors: **Rui Miguel Nabeiro,** Campo Maior  
(PT); **Tiago Rafael da Silva Ferrolho**  
**Mendes,** Lisbon (PT)

D301,194 S \* 5/1989 Chan ..... D7/309  
D383,571 S \* 9/1997 Frodsham ..... D30/108  
D452,407 S \* 12/2001 Leverrier ..... D7/309  
D483,214 S \* 12/2003 Holderfield ..... D7/309  
D610,856 S \* 3/2010 Hoffman ..... D7/306  
D655,561 S \* 3/2012 Wang ..... D7/306  
D685,599 S \* 7/2013 Miller ..... D7/306  
D917,107 S \* 4/2021 Chen ..... D30/132  
2007/0297776 A1\* 12/2007 Greenway ..... B67D 3/0022  
392/451

(73) Assignee: **NOVADELTA—COMERCIO E**  
**INDUSTRIA DE CAFES LDA,**  
Lisbon (PT)

**FOREIGN PATENT DOCUMENTS**

GB 8209455000-1000 \* 7/2020

(\*\*) Term: **15 Years**

\* cited by examiner

(21) Appl. No.: **35/510,007**

*Primary Examiner* — S. Bryan Reinholdt, Jr.

(22) Filed: **Jul. 16, 2020**

(74) *Attorney, Agent, or Firm* — Sughrue Mion, PLLC

(80) **Hague Agreement Data**

Int. Filing Date: **Jul. 16, 2020**  
Int. Reg. No.: **DM/209455**  
Int. Reg. Date: **Jul. 16, 2020**  
Int. Reg. Pub. Date: **Aug. 7, 2020**

(57) **CLAIM**

The ornamental design for an espresso coffee machine, as shown and described.

(51) **LOC (13) Cl.** ..... **07-01**

(52) **U.S. Cl.** ..... **D7/309**  
USPC .....

**DESCRIPTION**

(58) **Field of Classification Search**  
USPC ..... D7/300, 306, 309, 311; D23/202, 209  
CPC ..... A47J 31/00; A47J 31/005; A47J 31/02  
See application file for complete search history.

FIG. 1.1 is a front, right, and top perspective view of the espresso coffee machine showing my new design; FIG. 1.2 is a front side elevation view thereof; FIG. 1.3 is a rear side elevation view thereof; FIG. 1.4 is a right side elevation view thereof; FIG. 1.5 is a left side elevation view thereof; FIG. 1.6 is a top plan view thereof; and FIG. 1.7 is a bottom plan view thereof.

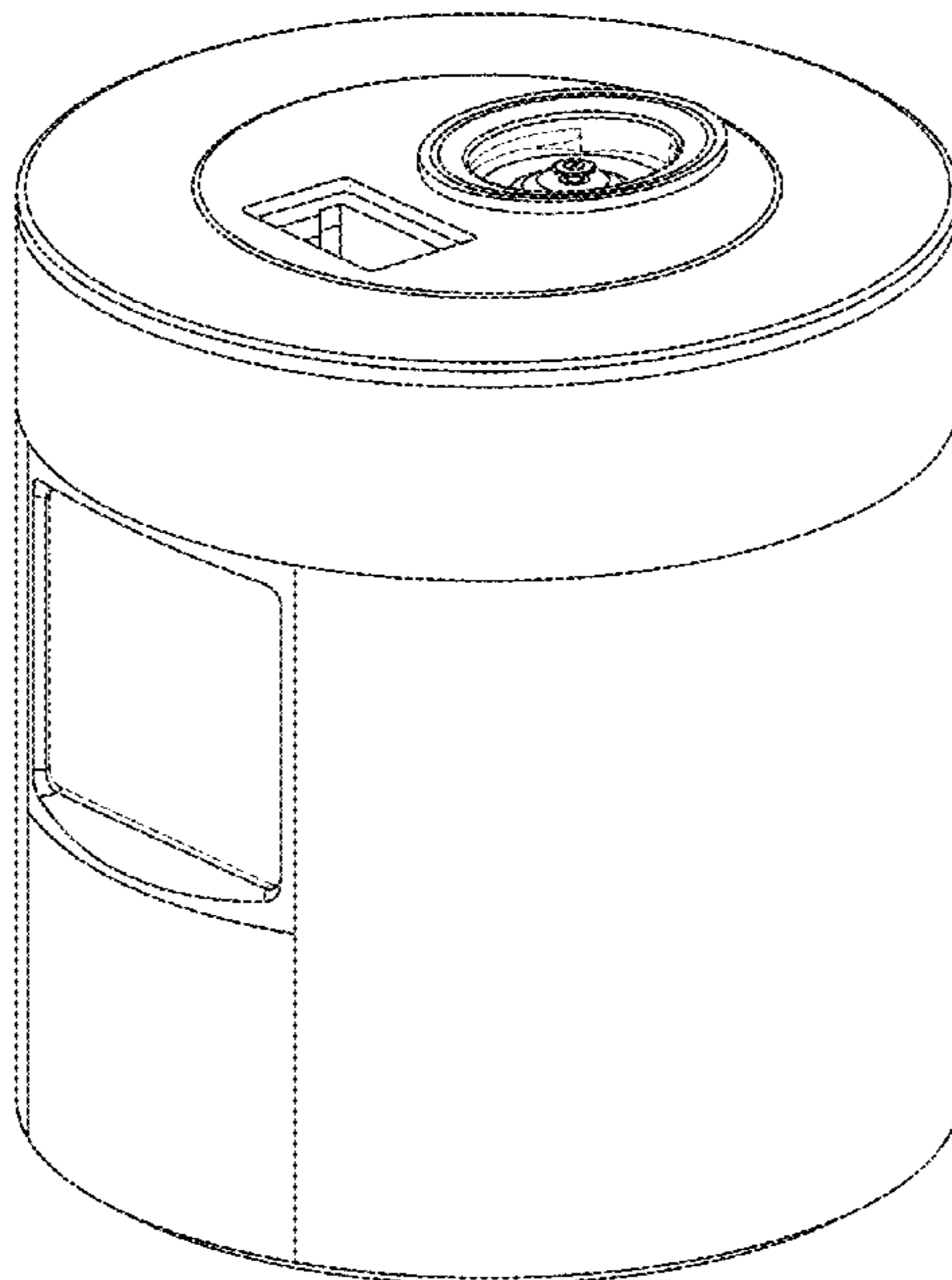
(56) **References Cited**

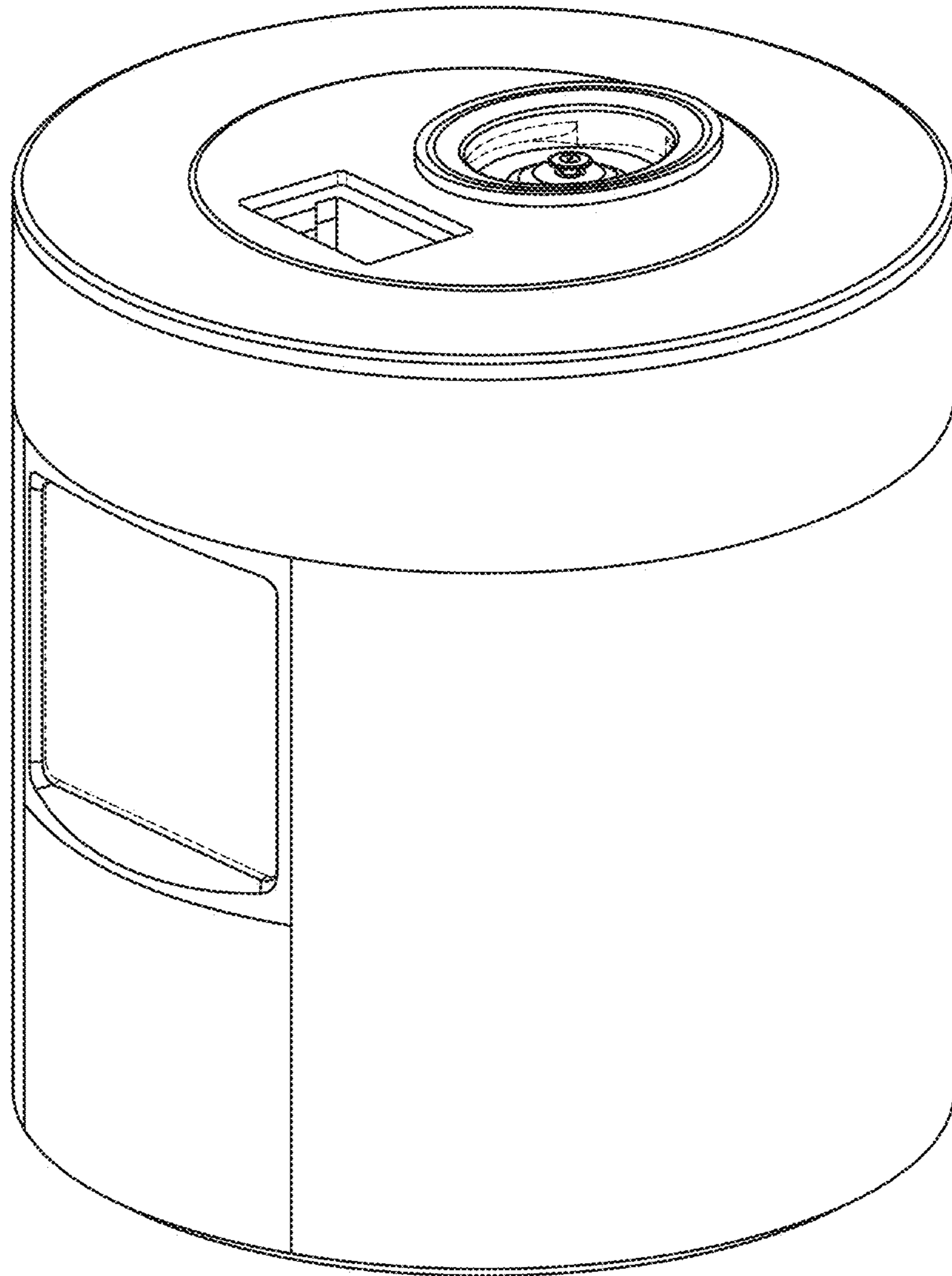
**U.S. PATENT DOCUMENTS**

2,657,554 A \* 11/1953 Hull ..... B67D 3/0012  
62/392  
2,676,531 A \* 4/1954 Popeil ..... A47J 31/02  
99/299

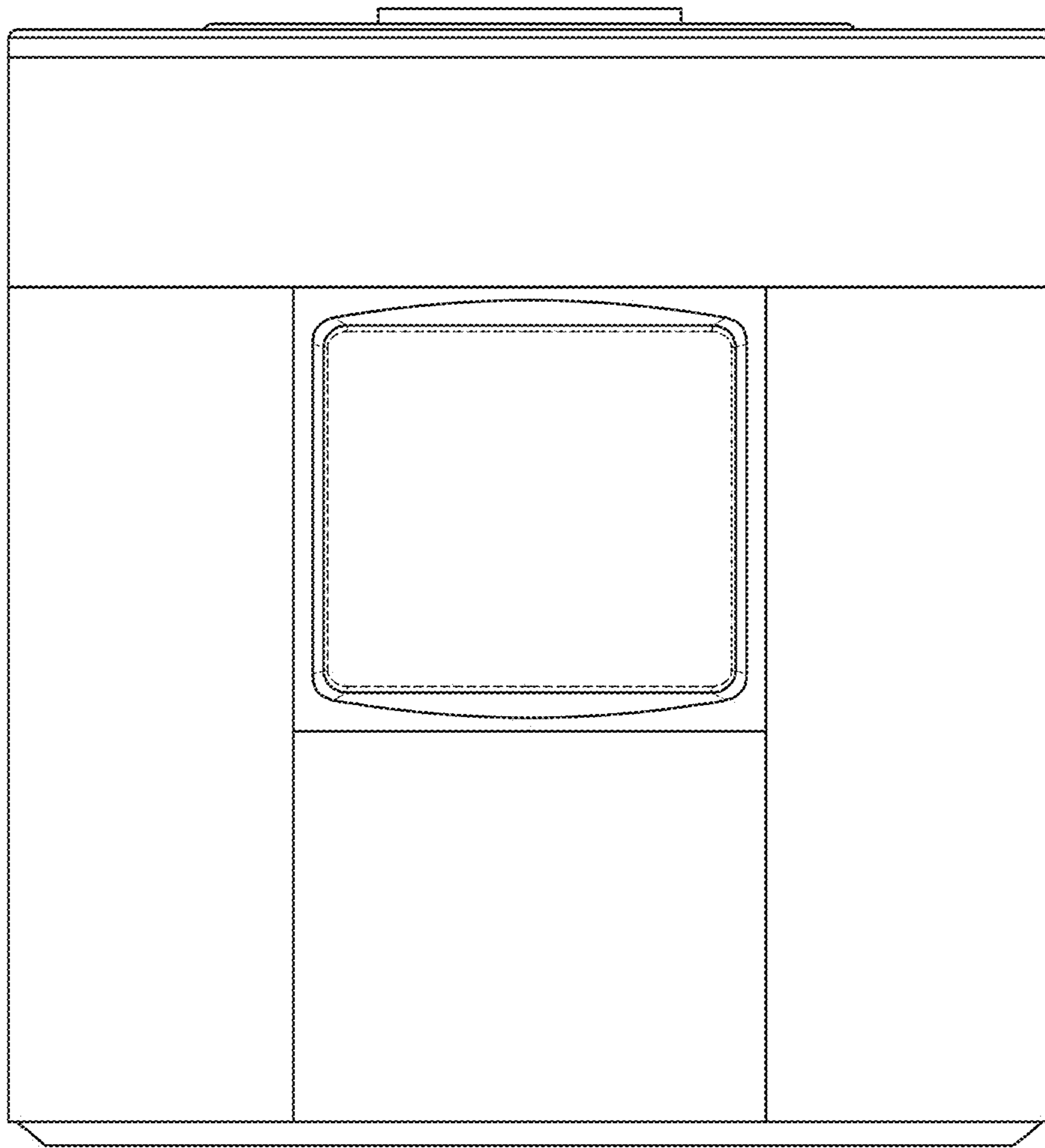
The broken lines and the areas within them depict portions of the espresso coffee machine that form no part of the claim.

**1 Claim, 7 Drawing Sheets**

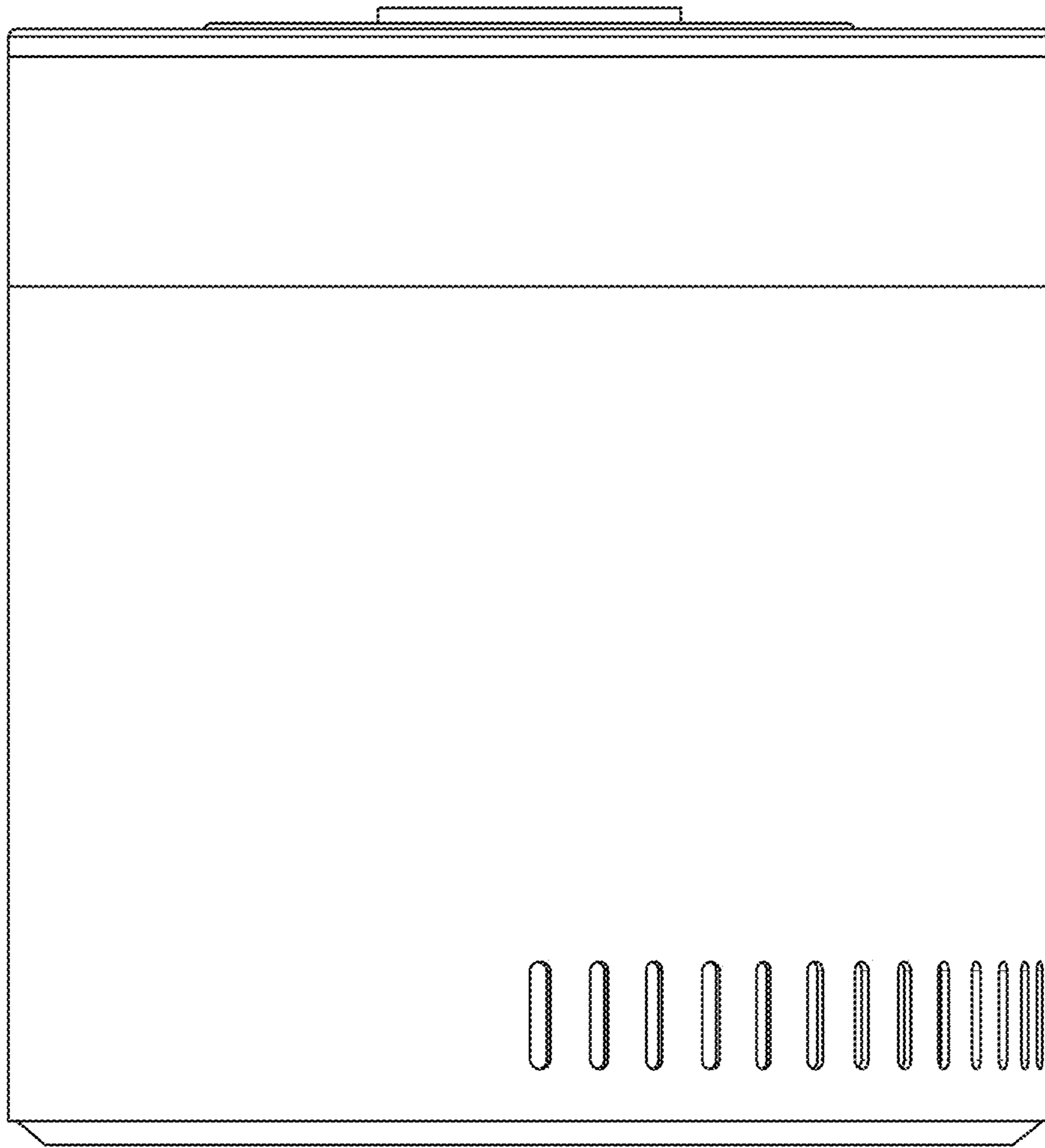




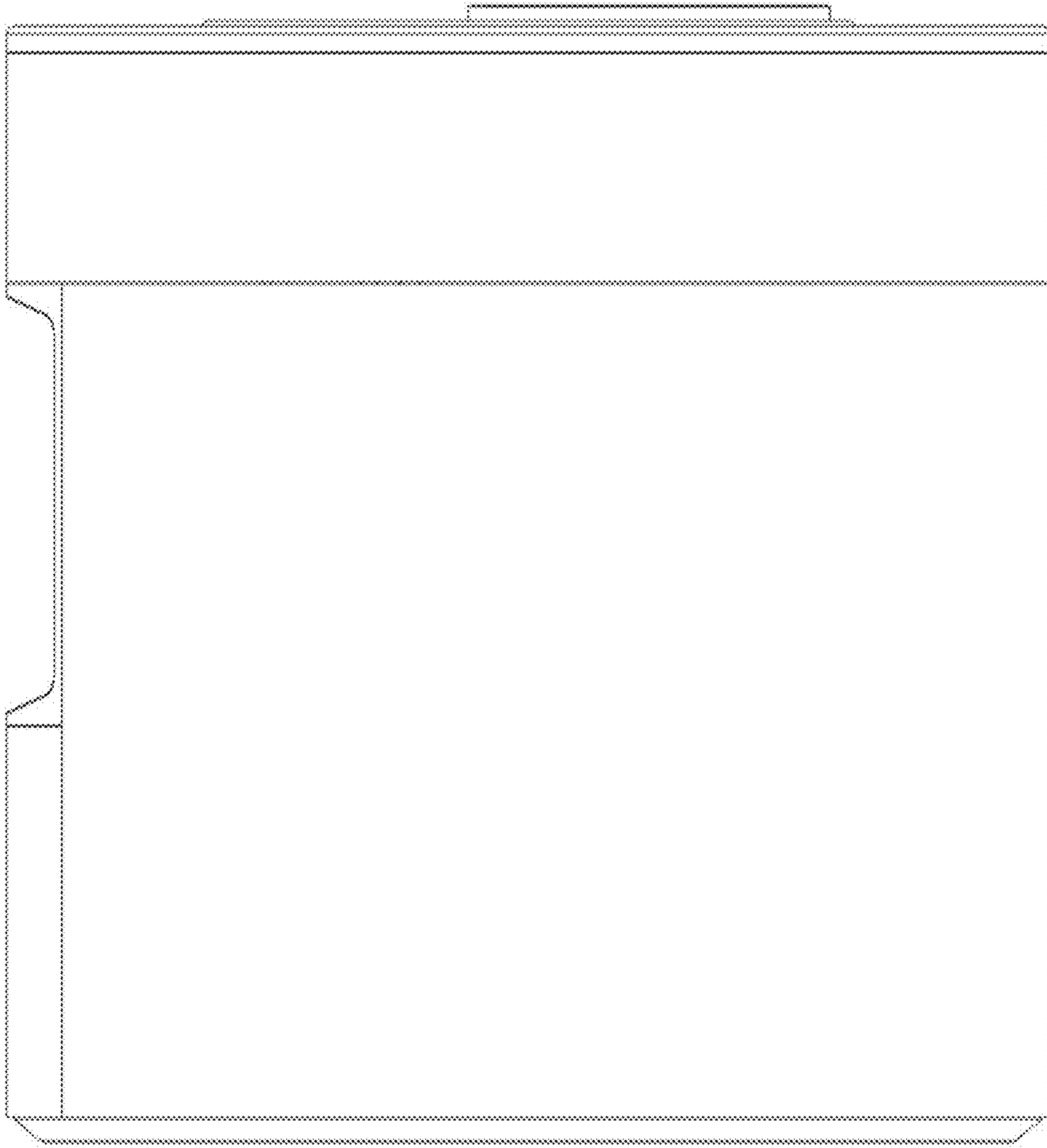
1.1

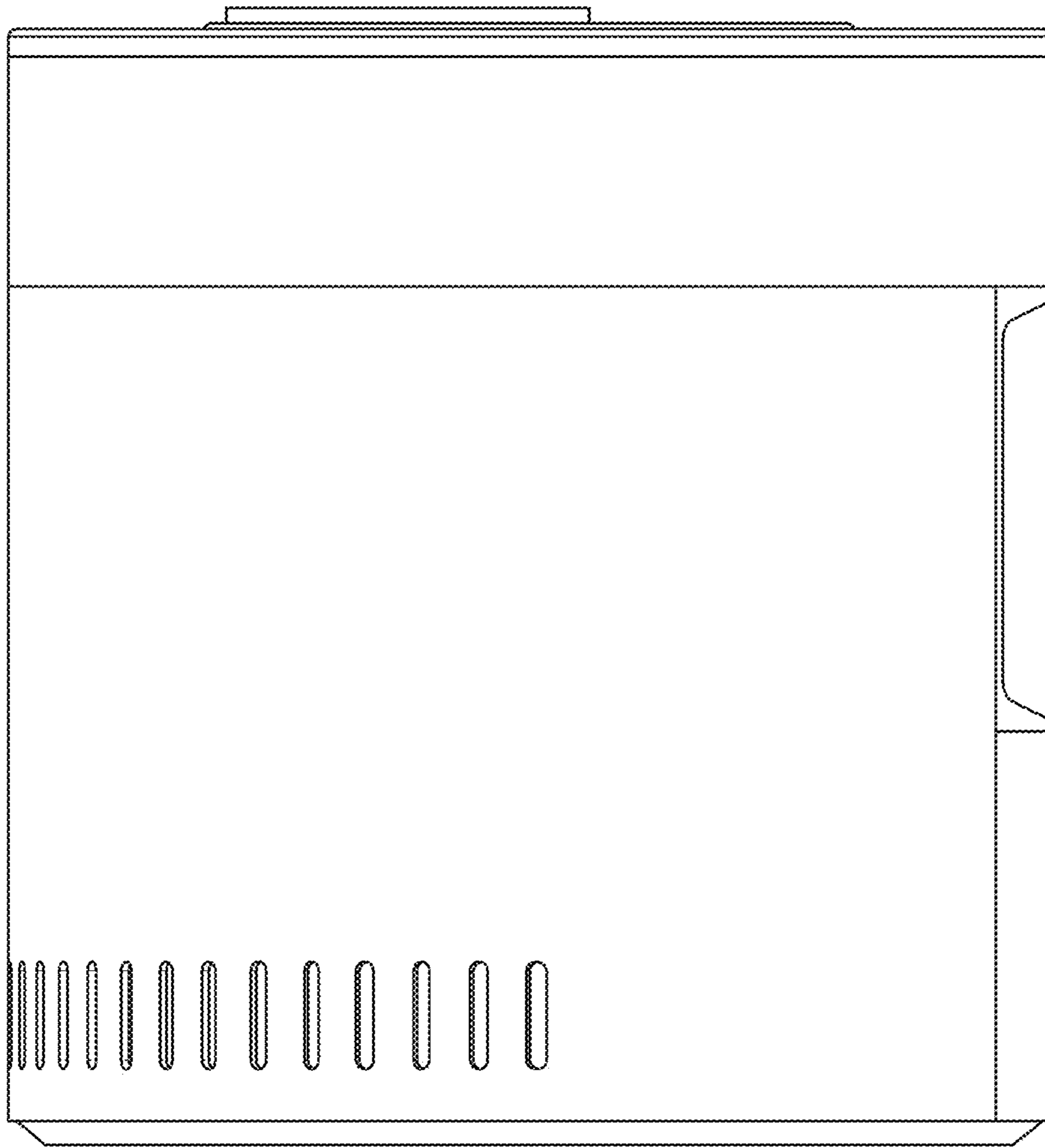


1.2

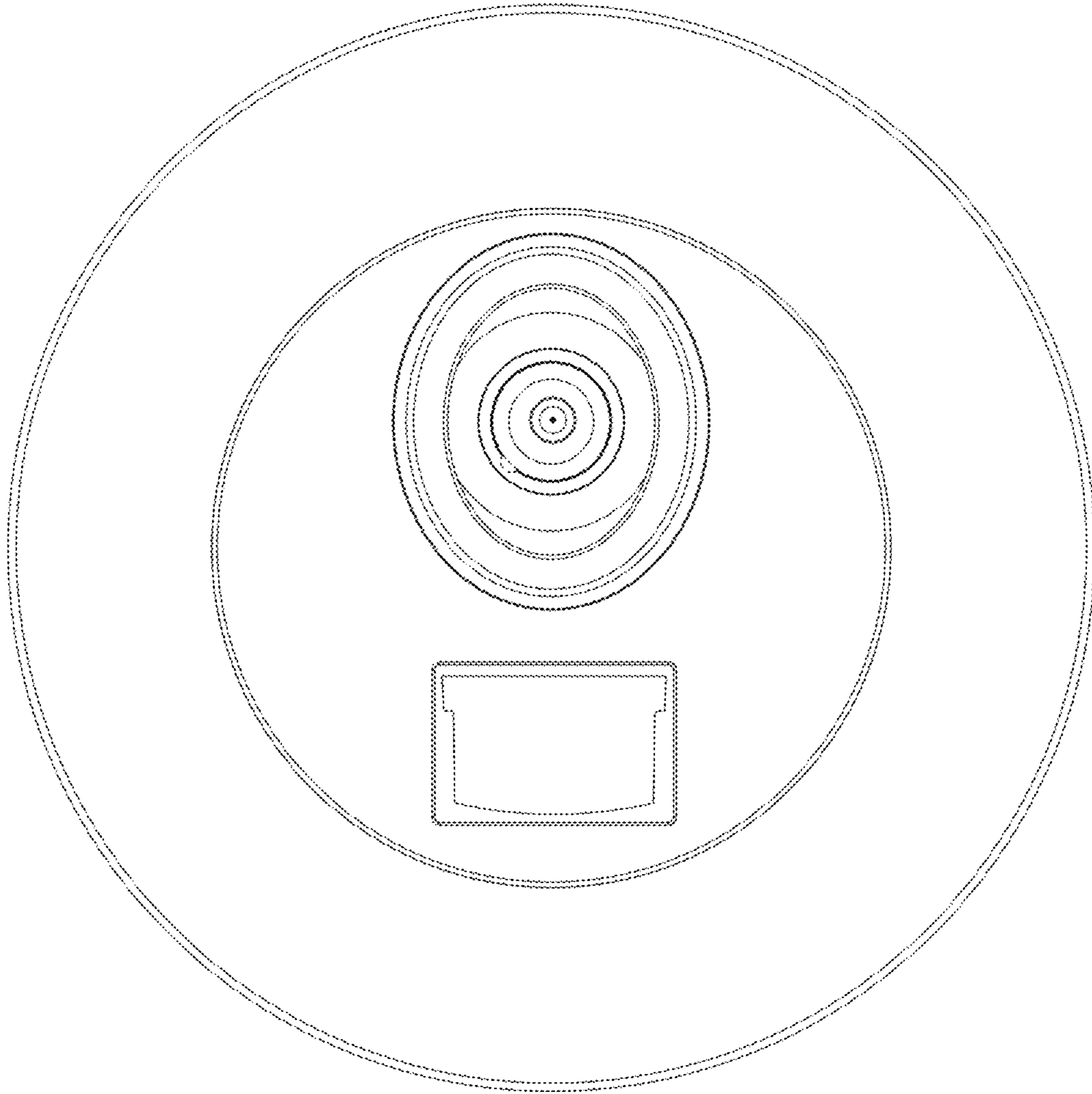


1.3





1.5



1.6

