



US00D958578S

(12) **United States Design Patent** (10) **Patent No.:** **US D958,578 S**
Nabeiro et al. (45) **Date of Patent:** **** Jul. 26, 2022**

(54) **ESPRESSO COFFEE MACHINE**
(71) Applicant: **NOVADELTA—COMÉRCIO E INDÚSTRIA DE CAFÉS LDA,** Lisbon (PT)
(72) Inventors: **Rui Miguel Nabeiro,** Campo Maior (PT); **Tiago Rafael da Silva Ferrolho Mendes,** Lisbon (PT)
(73) Assignee: **NOVADELTA—COMÉRCIO E INDÚSTRIA DE CAFÉS S.A.,** Lisbon (PT)
(**) Term: **15 Years**

D244,290 S * 5/1977 Alger D23/202
D272,975 S * 3/1984 Miller D7/309
D324,138 S * 2/1992 Labonte D23/202
D331,097 S * 11/1992 Sieren D23/207
D373,279 S * 9/1996 Chen D7/306
D414,371 S * 9/1999 Seiffert D7/309
D482,231 S * 11/2003 Dickson, Jr. D7/306
D601,847 S * 10/2009 Gammack D7/306
D611,567 S * 3/2010 Laursen D23/207
D611,753 S * 3/2010 Gammack D7/306
D618,031 S * 6/2010 Mansour D7/307
D623,462 S * 9/2010 Ashbridge D7/306
D663,565 S * 7/2012 Yang D7/306
D738,151 S * 9/2015 Weseman D7/306
D750,408 S * 3/2016 Cha D7/306
D839,652 S * 2/2019 De' Longhi D7/309
D891,845 S * 8/2020 Rummel D7/306

(21) Appl. No.: **35/510,006**
(22) Filed: **Jul. 16, 2020**

FOREIGN PATENT DOCUMENTS

GB 8209456000-1000 * 7/2020
* cited by examiner

(80) **Hague Agreement Data**
Int. Filing Date: **Jul. 16, 2020**
Int. Reg. No.: **DM/209456**
Int. Reg. Date: **Jul. 16, 2020**
Int. Reg. Pub. Date: **Aug. 7, 2020**

Primary Examiner — S. Bryan Reinholdt, Jr.
(74) *Attorney, Agent, or Firm* — Sughrue Mion, PLLC

(51) **LOC (13) Cl.** **07-01**
(52) **U.S. Cl.**
USPC **D7/309**
(58) **Field of Classification Search**
USPC D7/300, 306, 309, 311; D23/202, 209
CPC A47J 31/00; A47J 31/005; A47J 31/02
See application file for complete search history.

(57) **CLAIM**

The ornamental design for an espresso coffee machine, as shown and described.

(56) **References Cited**

DESCRIPTION

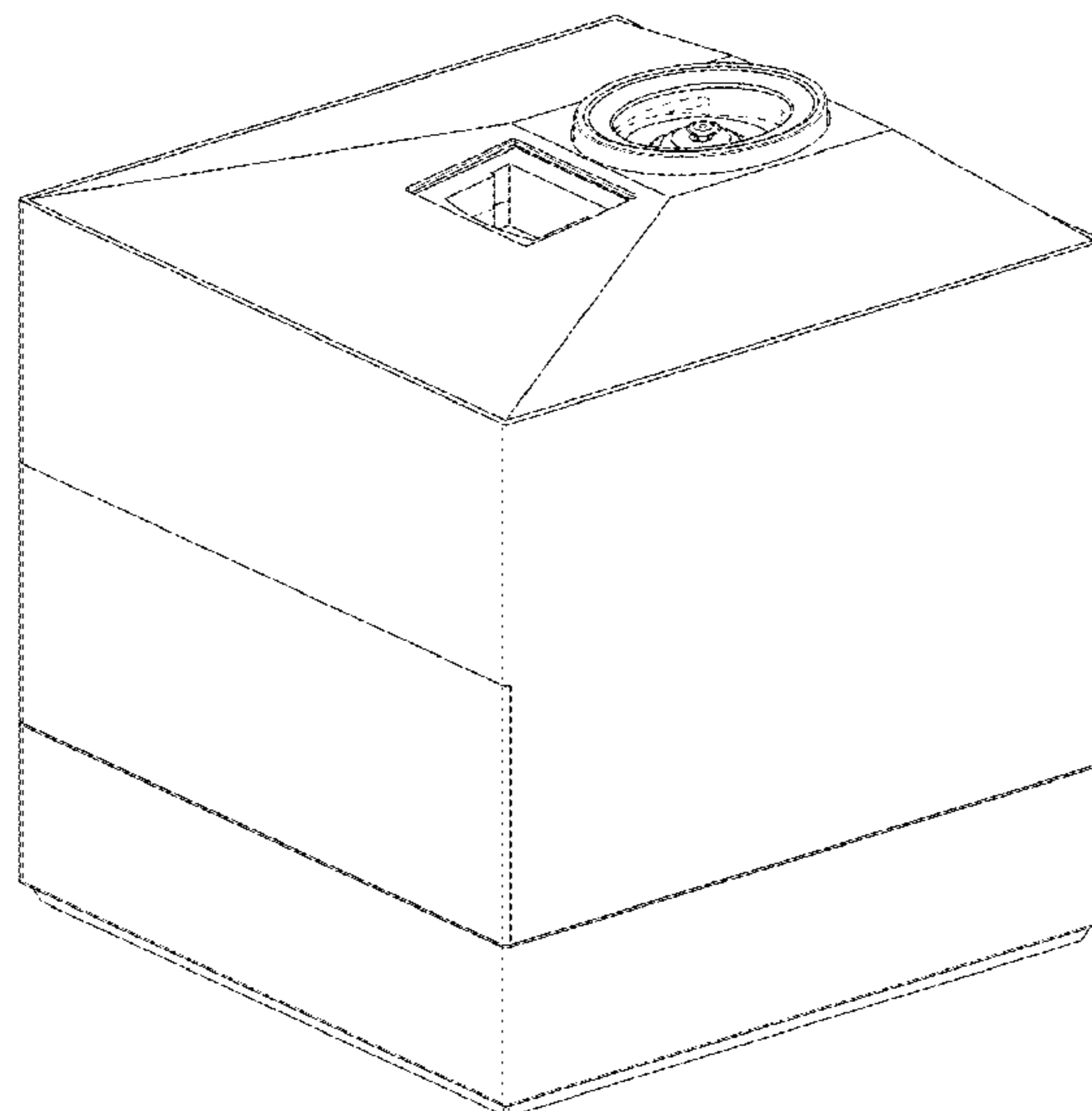
U.S. PATENT DOCUMENTS

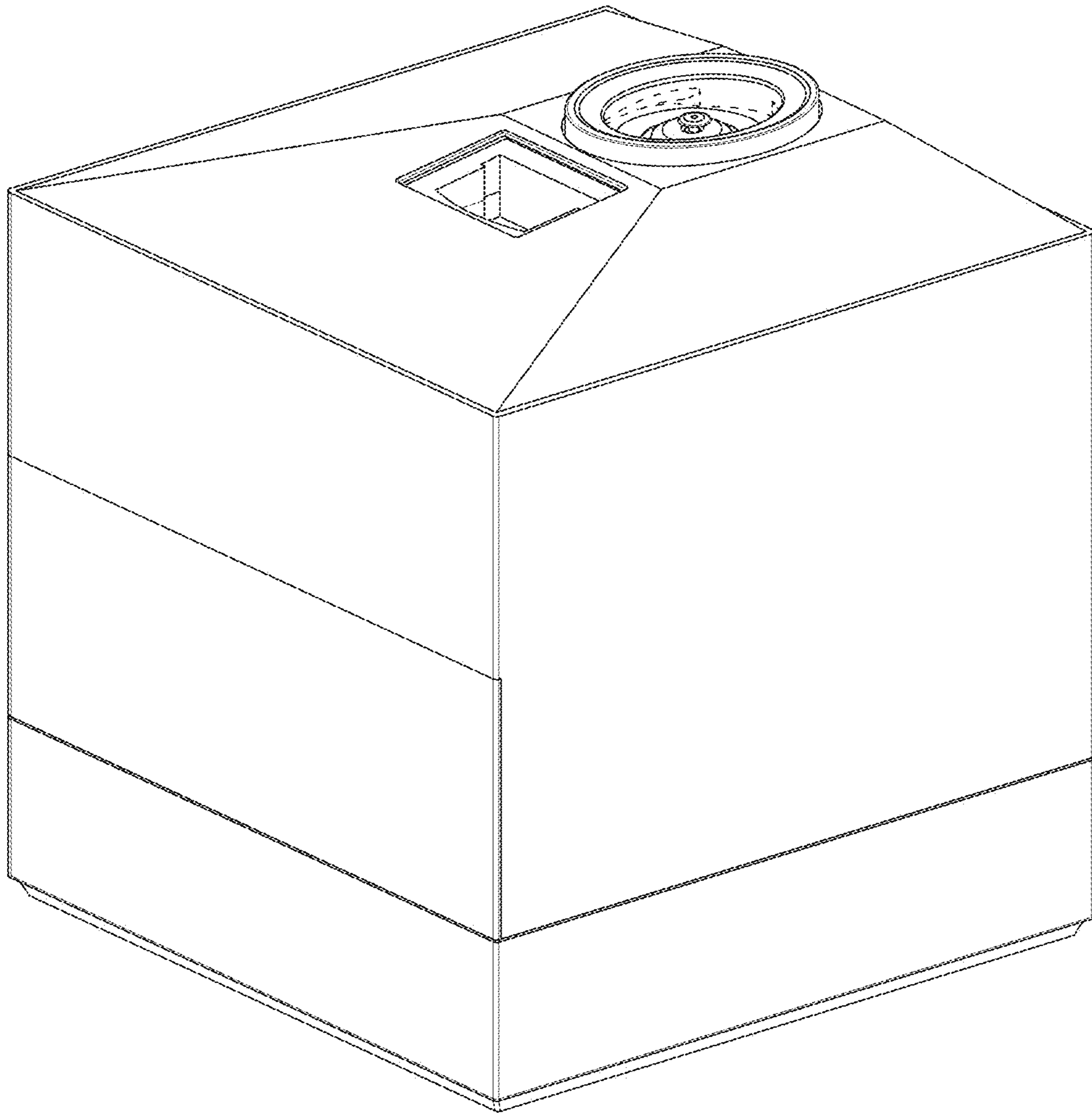
D159,502 S * 8/1950 McCowan, Jr. D7/311
D194,644 S * 2/1963 Jacobs D7/311
3,248,011 A * 4/1966 Brodsky F25B 21/02
222/640
D216,590 S * 2/1970 Coleman D23/202

FIG. 1.1 is a front, right, and top perspective view of the espresso coffee machine showing our new design;
FIG. 1.2 is a left side elevation view thereof;
FIG. 1.3 is a right side elevation view thereof;
FIG. 1.4 is a top plan view thereof;
FIG. 1.5 is a bottom plan view thereof;
FIG. 1.6 is a rear elevation view thereof; and
FIG. 1.7 is a front elevation view thereof.

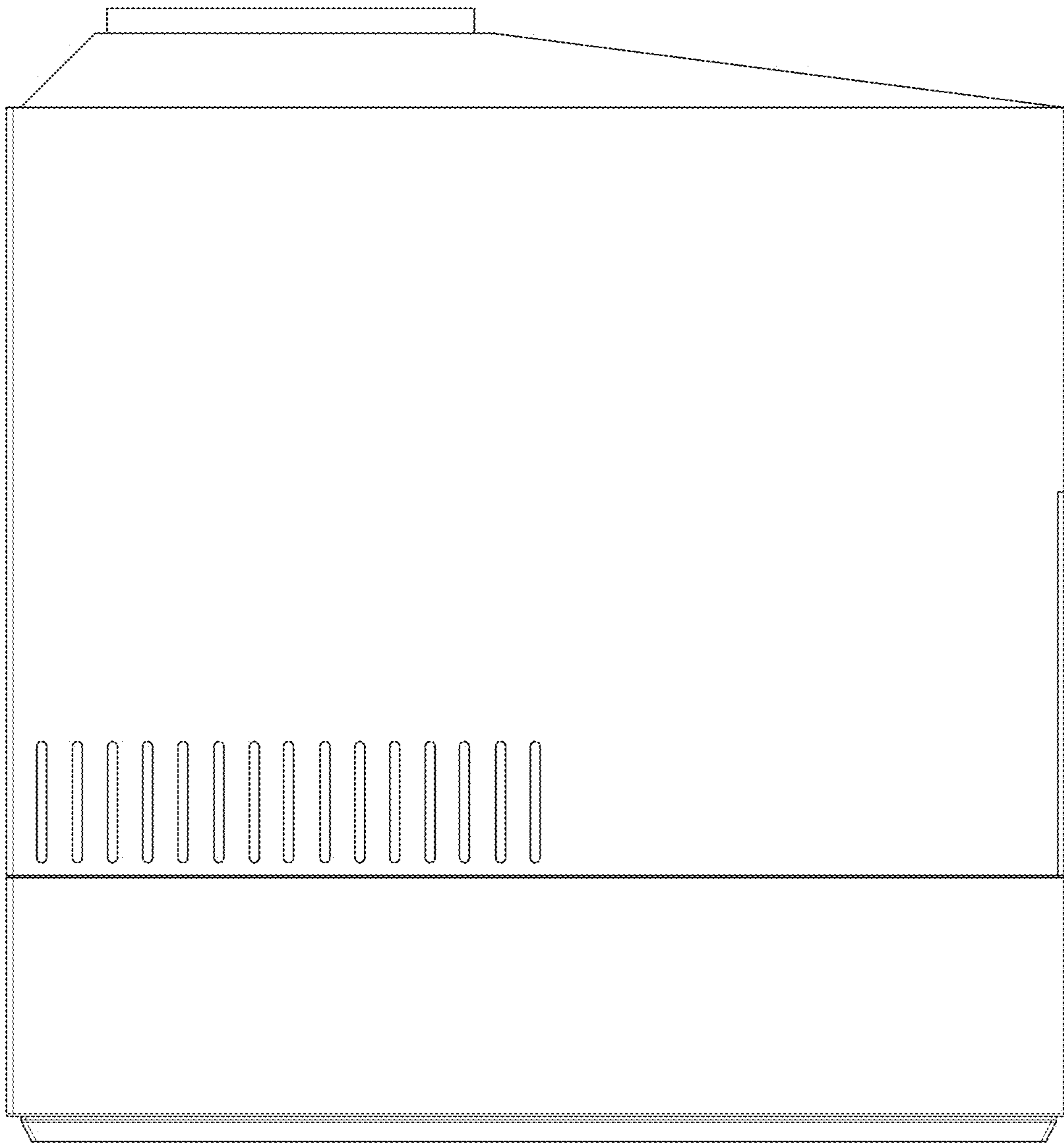
The broken lines and the areas within them depict portions of the espresso coffee machine that form no part of the claim.

1 Claim, 7 Drawing Sheets

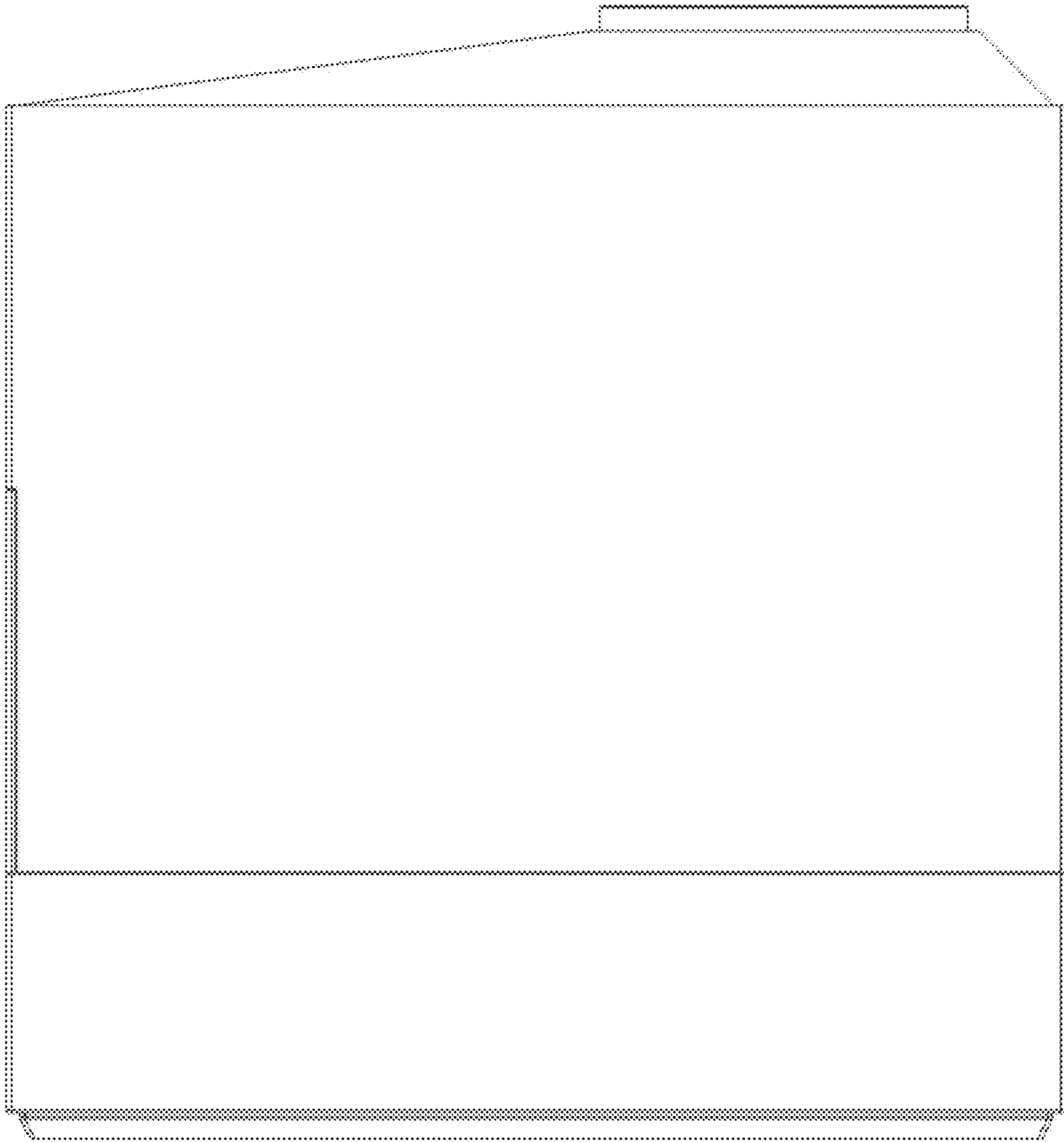


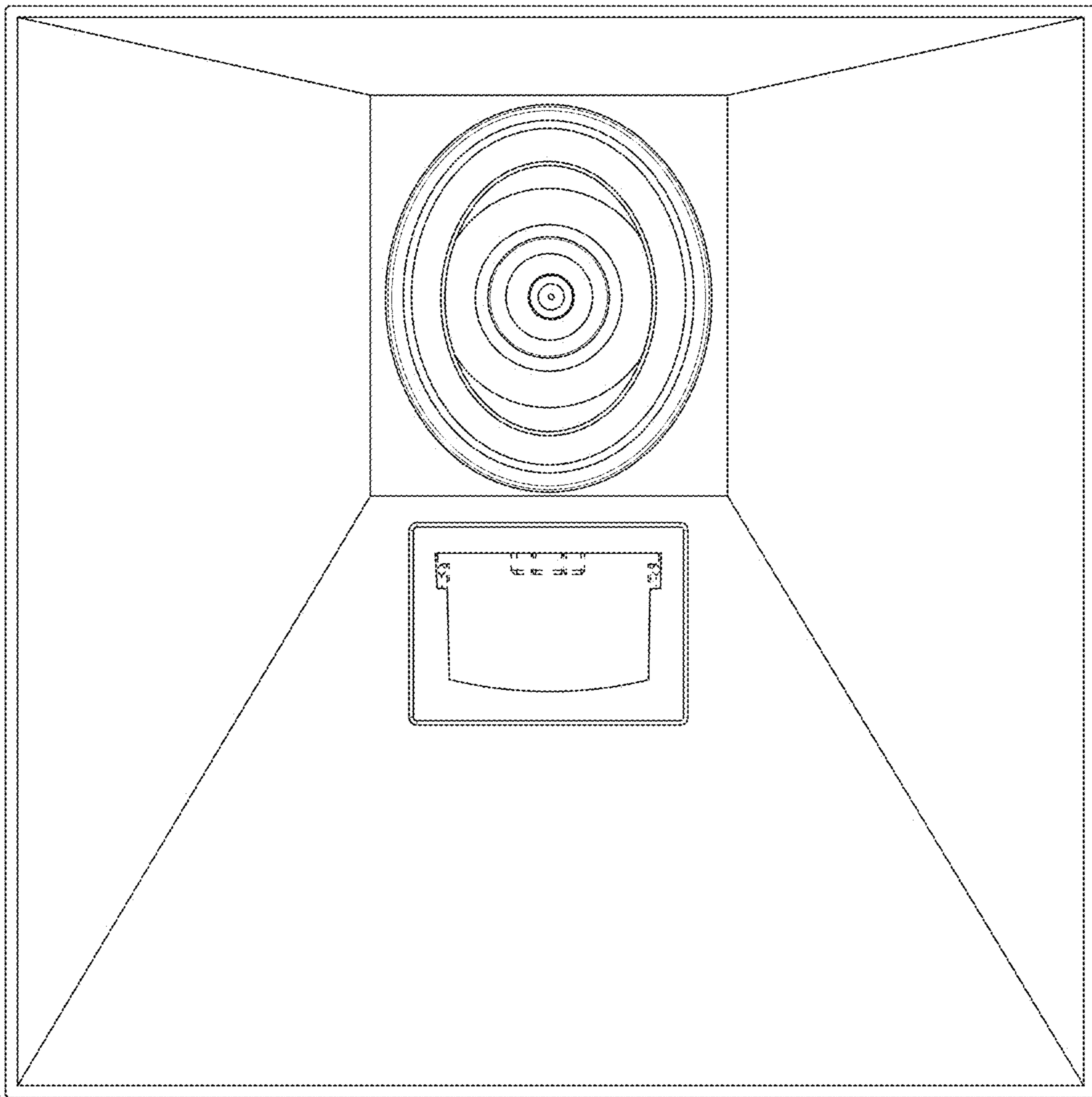


1.1

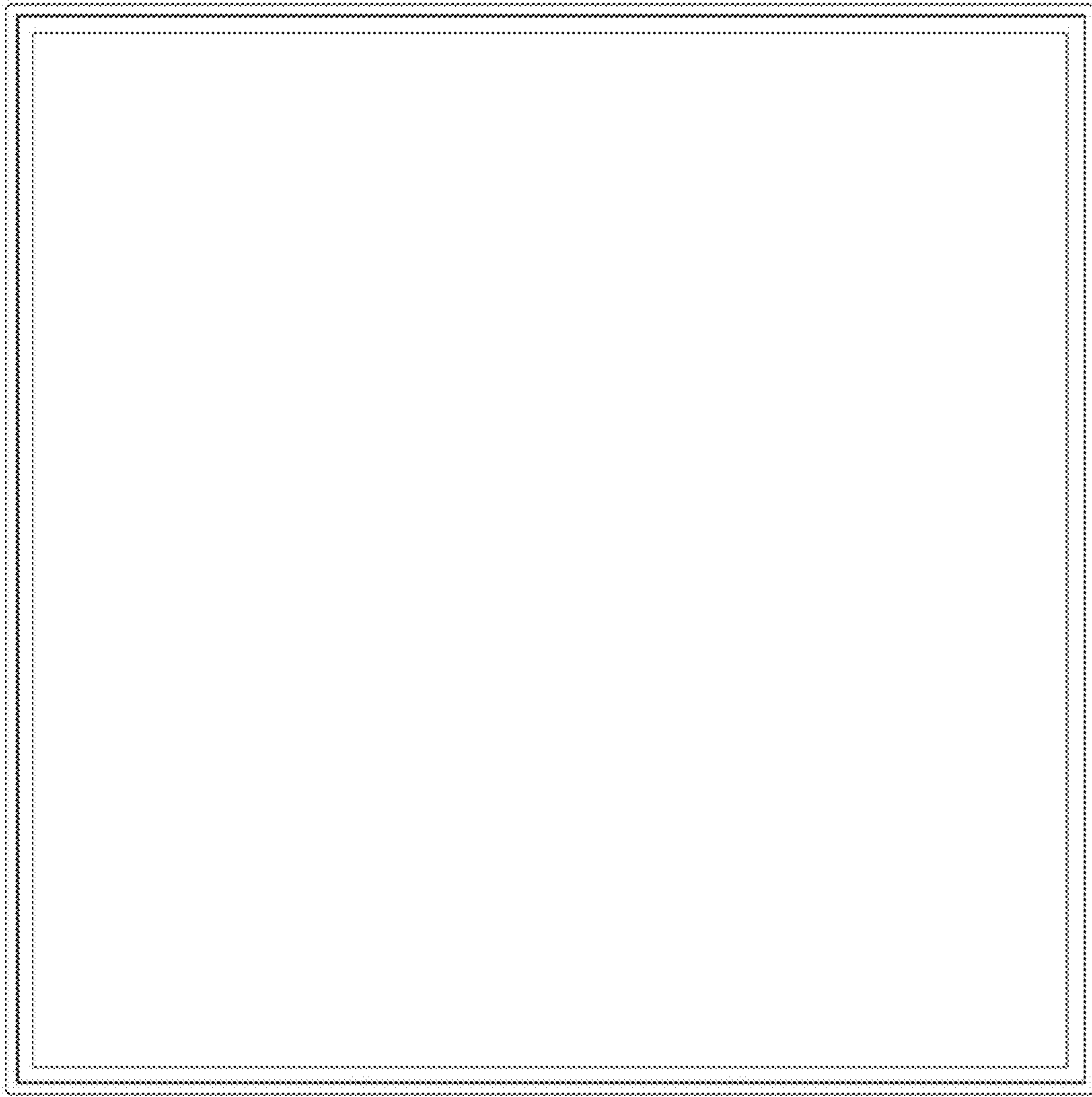


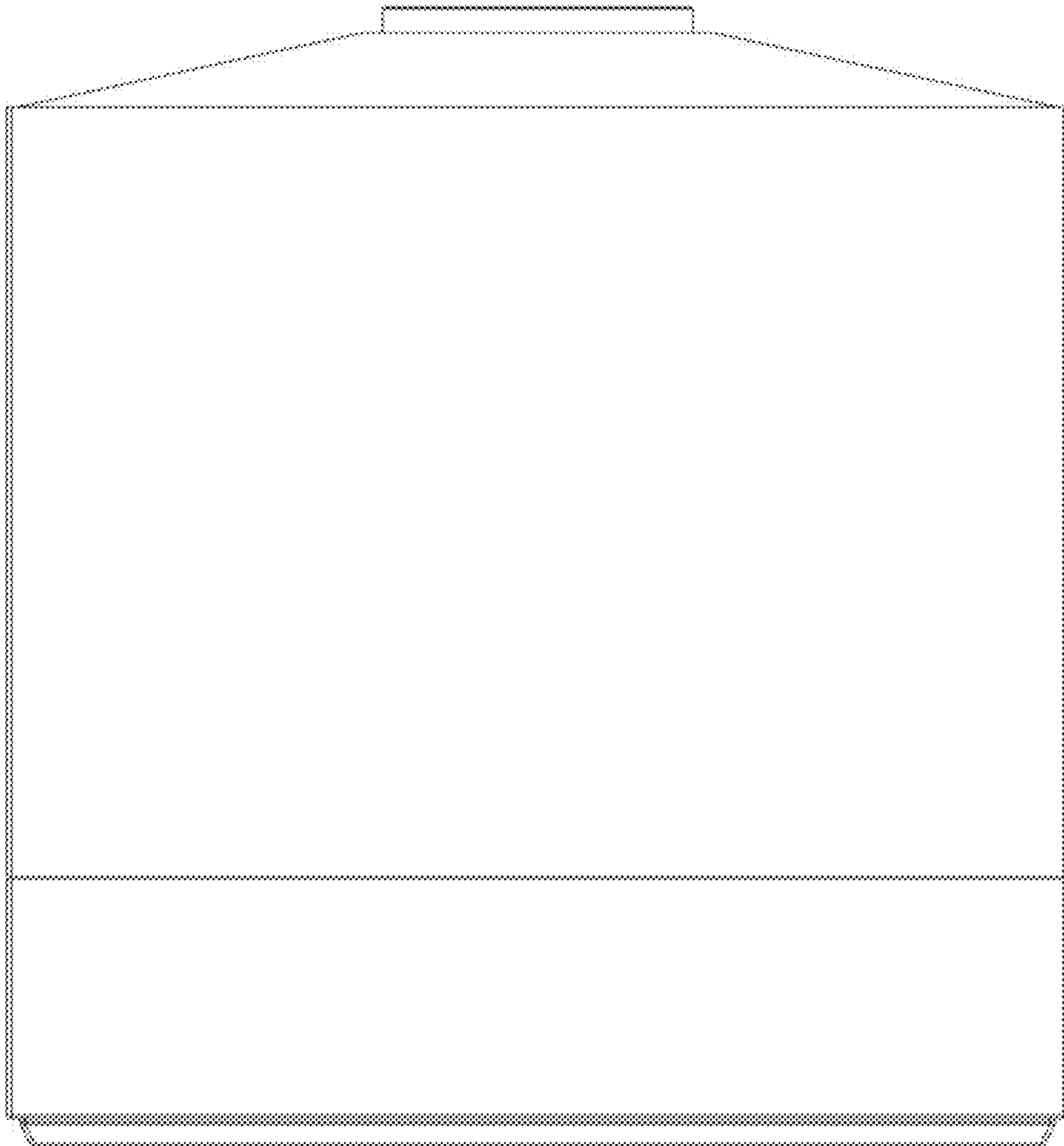
1.2





1.4





1.6

