



US00D958575S

(12) **United States Design Patent** (10) **Patent No.:** **US D958,575 S**
Beck (45) **Date of Patent:** **** Jul. 26, 2022**

(54) **UNDER CABINET/SHELF STORAGE RACK**

(71) Applicant: **Ronald Beck**, Rockledge, FL (US)

(72) Inventor: **Ronald Beck**, Rockledge, FL (US)

(**) Term: **15 Years**

(21) Appl. No.: **29/699,587**

(22) Filed: **Jul. 26, 2019**

Primary Examiner — Kelley A Donnelly

(74) *Attorney, Agent, or Firm* — Brian S. Steinberger; Hilary F. Steinberger; Law Offices of Brian S. Steinberger, P.A.

(57) **CLAIM**

The ornamental design new ornamental design for a novel under cabinet/shelf storage rack, as shown and described.

DESCRIPTION

FIG. 1 is an upper front right perspective view of the under cabinet/shelf storage rack.

FIG. 2 is a lower front right perspective view of the rack of FIG. 1.

FIG. 3 is a top view of the rack of FIG. 1.

FIG. 4 is a bottom view of the rack of FIG. 1.

FIG. 5 is a right side view of the rack of FIG. 1.

FIG. 6 is a left side view of the rack of FIG. 1.

FIG. 7 is a front view of the rack of FIG. 1.

FIG. 8 is a rear view of the rack of FIG. 1.

FIG. 9 is an upper front right perspective view of the rack of FIG. 1 with the shelf slid out.

FIG. 10 is an upper front left perspective view of the rack of FIG. 1 in a folded position.

FIG. 11 is an upper front right perspective view of the rack of FIG. 10.

FIG. 12 is a lower front right perspective view of the rack of FIG. 10.

FIG. 13 is a top view of the rack of FIG. 10.

FIG. 14 is a bottom view of the rack of FIG. 10.

FIG. 15 is a right side view of the rack of FIG. 10.

FIG. 16 is a left side view of the rack of FIG. 10.

FIG. 17 is a front view of the rack of FIG. 10.

FIG. 18 is a rear view of the rack of FIG. 10.

FIG. 19 is an upper front left perspective view of another embodiment of the rack of FIG. 1 with hook end clamps; and,

FIG. 20 is another view of the rack with hook end clamps of FIG. 19.

The broken lines in FIG. 20 are for illustrative purposes and form no part of the claimed design.

Related U.S. Application Data

(63) Continuation-in-part of application No. 15/885,002, filed on Jan. 31, 2018, now Pat. No. 10,408,530.

(51) **LOC (13) Cl.** **06-06**

(52) **U.S. Cl.**
USPC **D6/705**

(58) **Field of Classification Search**
USPC D6/653, 655, 657, 672, 675, 681, 681.2,
D6/704–705, 513

(Continued)

(56) **References Cited**

U.S. PATENT DOCUMENTS

876,159 A 1/1908 Erickson
1,247,367 A 11/1917 Burchell

(Continued)

FOREIGN PATENT DOCUMENTS

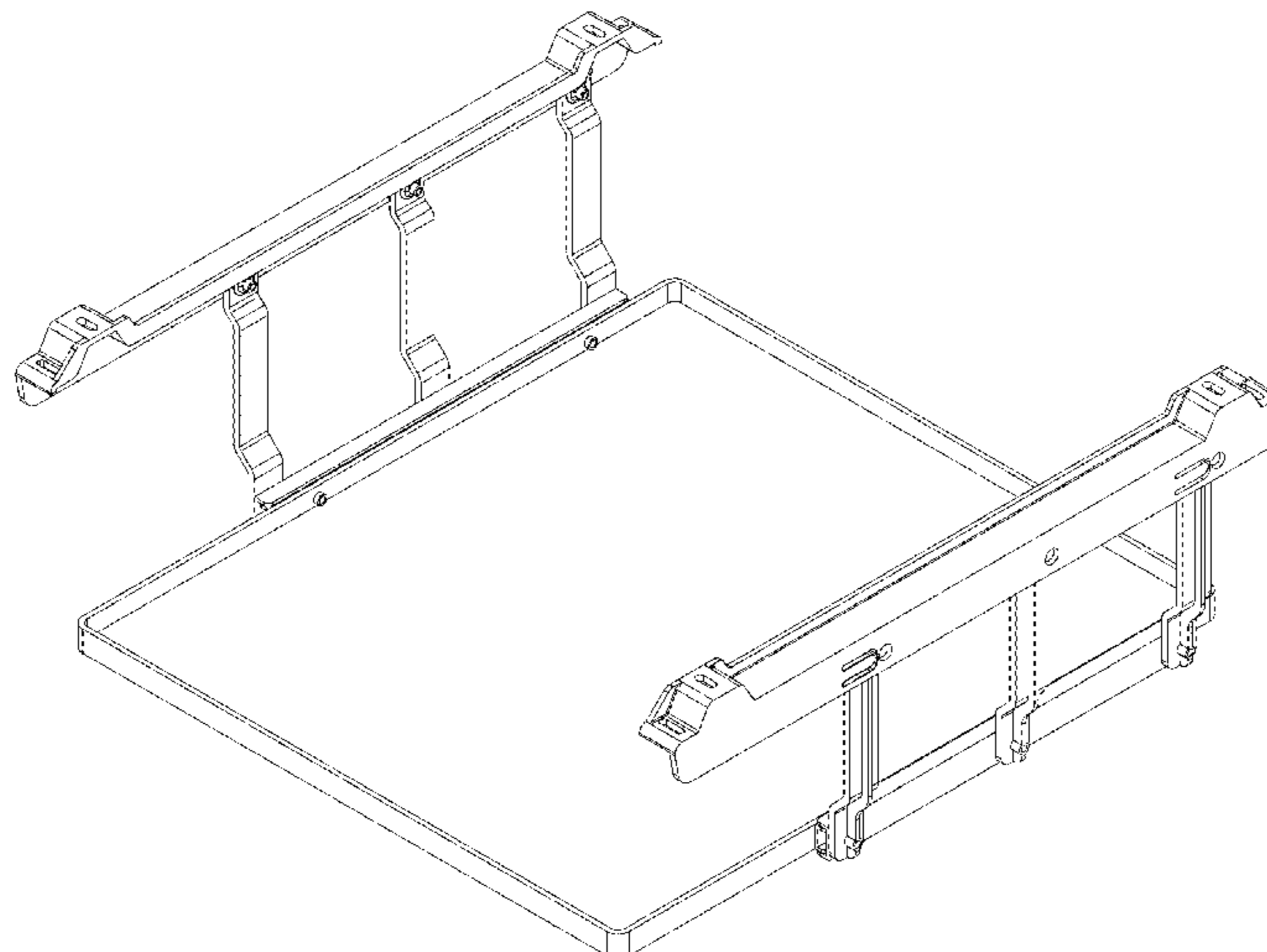
CN 201277789 7/2008
CN 104165493 11/2014

(Continued)

OTHER PUBLICATIONS

Beck, Ronald; PCT/US19/45621, filed Aug. 8, 2019, Notification of Transmittal of the International Search Report and the Written Opinion of the International Search Authority, or the Declaration dated Dec. 23, 2019, 24 pages.

1 Claim, 16 Drawing Sheets



(58) **Field of Classification Search**
 CPC A47B 13/02; A47B 23/04; A47B 43/003;
 A47B 81/00; A47B 88/40; A47B
 2008/401; A47B 88/407; A47B 96/02;
 A47B 96/06

See application file for complete search history.

(56) **References Cited**

U.S. PATENT DOCUMENTS

2,081,788	A	5/1937	Bottum	
2,165,654	A	7/1939	Rosenthal	
2,640,599	A	6/1953	Hess	
2,667,396	A	1/1954	Liggett	
2,744,805	A	5/1956	McMahan	
3,857,623	A	12/1974	Schneller	
3,923,277	A	12/1975	Perrault et al.	
D255,242	S *	6/1980	Berman	D15/89
4,254,881	A	3/1981	Hard	
D264,406	S	5/1982	Arnott	
D273,446	S	4/1984	Rankin et al.	
4,460,145	A	7/1984	Ando	
4,482,066	A	11/1984	Dykstra	
4,485,928	A	12/1984	Staashelm	
4,998,631	A	3/1991	Fridjhon	
5,086,936	A *	2/1992	Remmers	A47B 67/04 211/126.15
5,294,087	A	3/1994	Drabczyk et al.	
5,308,158	A	5/1994	Vogelgesang et al.	
5,329,865	A	7/1994	McWard	
D376,299	S	12/1996	Audet	
D379,889	S	6/1997	McArdle	
5,727,750	A	3/1998	Kelly	
5,871,107	A	2/1999	Johnson et al.	
D406,972	S	3/1999	McCoy	
6,148,813	A	11/2000	Barnes et al.	
6,308,837	B1	10/2001	Bragg et al.	
D504,585	S	5/2005	Rafoth et al.	
6,913,164	B2	7/2005	Duquette	
6,938,866	B2	9/2005	Kirchhoff	
D557,957	S *	12/2007	Hwang	D6/705
D634,992	S	3/2011	McNamee	
8,136,897	B2	3/2012	Mascari	
D680,361	S *	4/2013	Zobel	D6/705
D686,429	S *	7/2013	Kampl	D6/705
8,727,457	B2	5/2014	Marshall et al.	

8,851,306	B2	10/2014	Spurr et al.	
9,016,811	B2	4/2015	Raunikar	
9,217,602	B2	12/2015	Lee et al.	
D756,145	S *	5/2016	Davis	D6/513
D763,024	S *	8/2016	Hsu	D6/683.1
10,182,654	B2 *	1/2019	Chen	A47B 88/427
2002/0084395	A1	7/2002	Johnson	
2003/0019975	A1	1/2003	Delfino	
2003/0080073	A1	5/2003	Huang et al.	
2004/0140744	A1	7/2004	Kalieta et al.	
2004/0207305	A1	10/2004	Kim et al.	
2005/0103674	A1	5/2005	Matheou	
2005/0206282	A1	9/2005	Walburn	
2006/0125362	A1	6/2006	Kim	
2006/0266905	A1	11/2006	Becke	
2007/0095768	A1	5/2007	Huo	
2009/0058247	A1	3/2009	Collins et al.	
2009/0071921	A1	3/2009	Harwin	
2010/0066227	A1	3/2010	Ramm et al.	
2011/0215198	A1	9/2011	Panzram et al.	
2012/0037051	A1	2/2012	Wang et al.	
2014/0061143	A1 *	3/2014	Hu	A47B 88/40 211/133.5
2015/0035423	A1	2/2015	Raunikar	
2015/0300728	A1	10/2015	Kim et al.	
2016/0143485	A1	5/2016	Rinck et al.	
2016/0146532	A1	5/2016	Choo et al.	
2016/0345730	A1 *	12/2016	Lim	A47B 96/07
2019/0339002	A1	11/2019	Beck	
2021/0037970	A1 *	2/2021	Dunseath	B25H 3/00
2021/0076821	A1 *	3/2021	Frank	A47B 88/941
2021/0079726	A1 *	3/2021	Chiao	A47B 45/00

FOREIGN PATENT DOCUMENTS

DE	19631374	2/1998
DE	102010039618	2/2012
DE	102013015463	A1 2/2015
DE	102014106432	A1 11/2015
EP	1088498	A2 4/2001
FI	35851	A 1/1967
FR	2652248	9/1989
WO	199805910	2/1998
WO	2009083354	A2 7/2009
WO	2016029592	A1 3/2016

* cited by examiner

FIG. 1

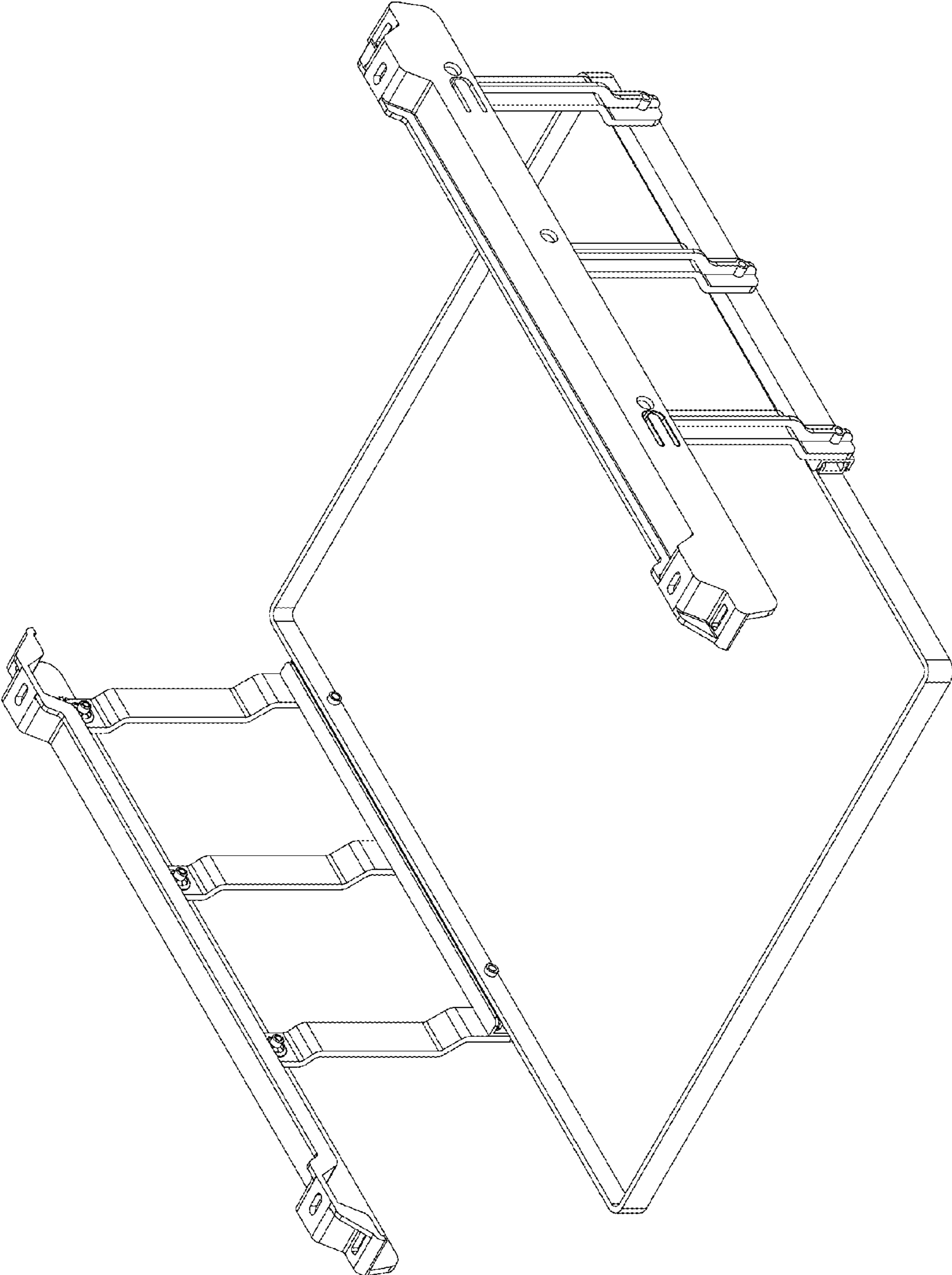


FIG. 2

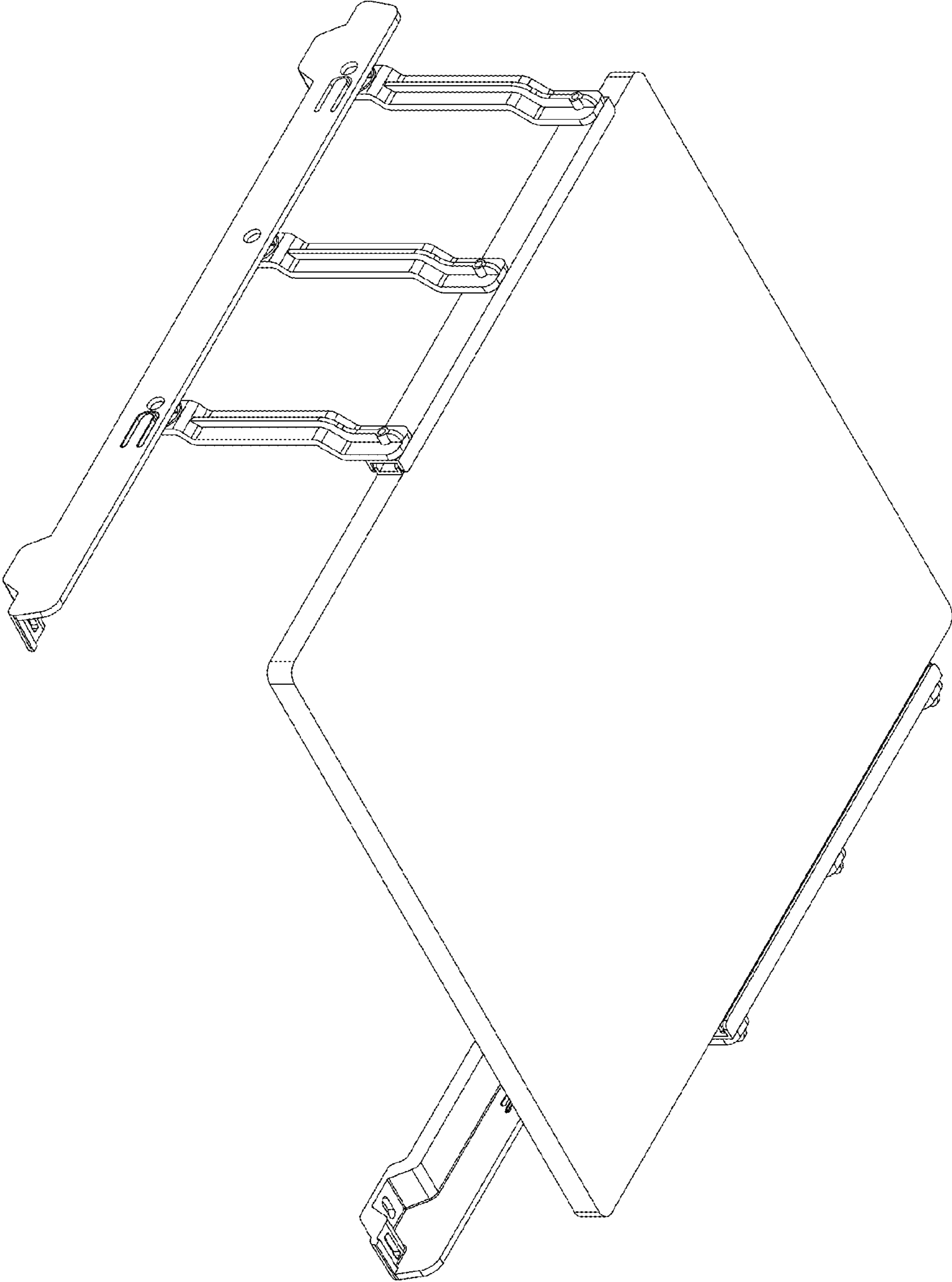


FIG. 3

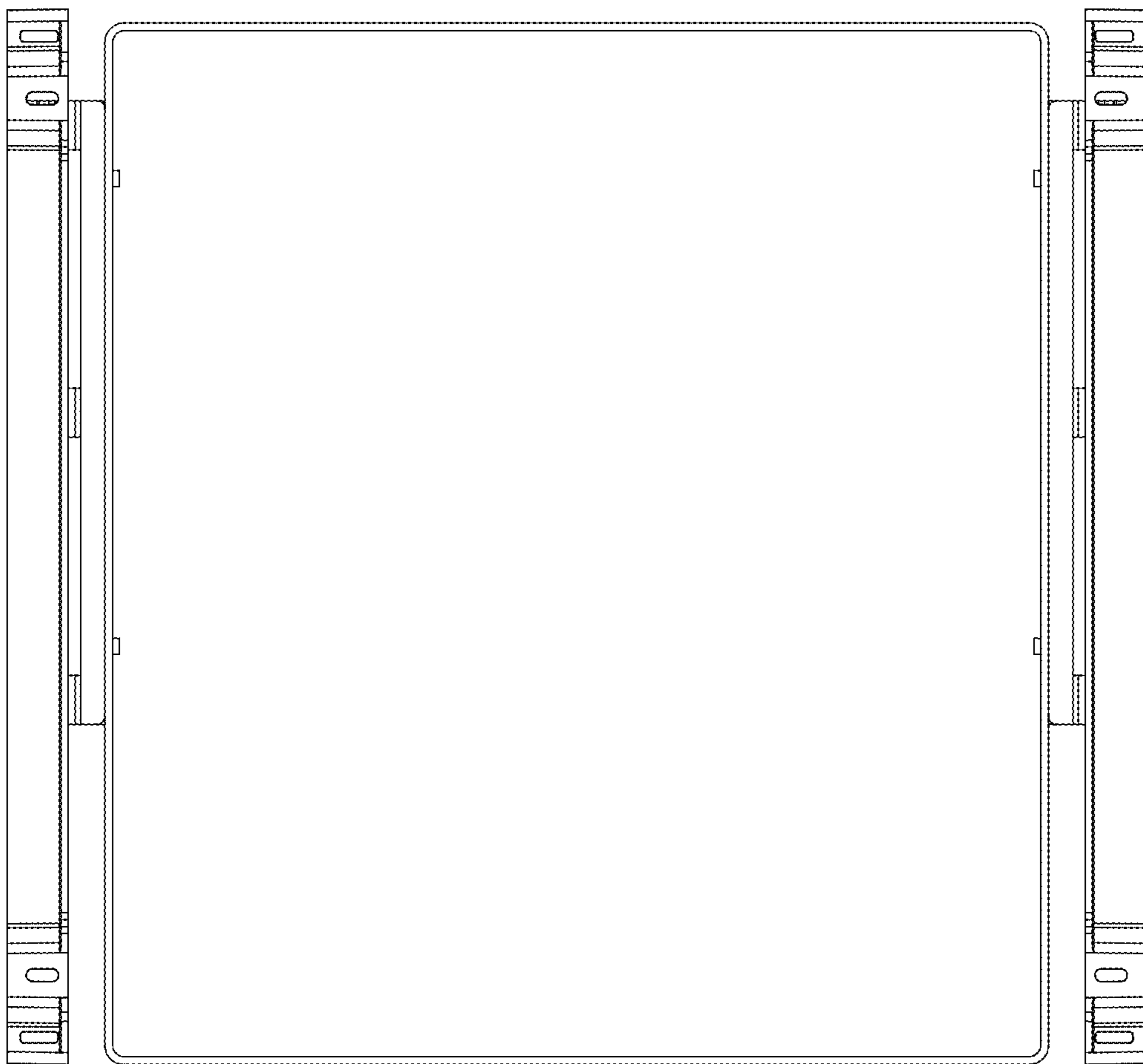


FIG. 4

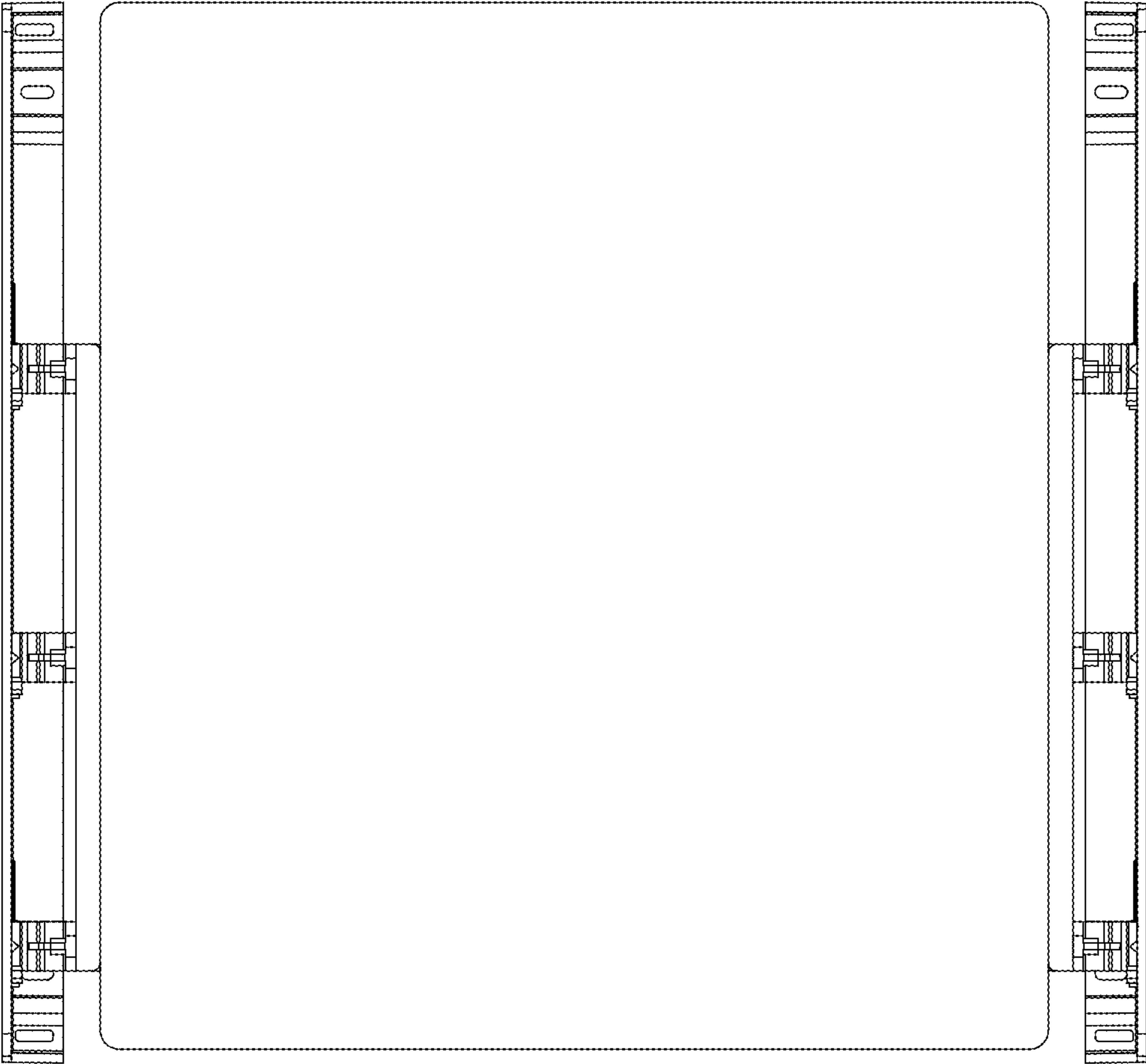


FIG. 5

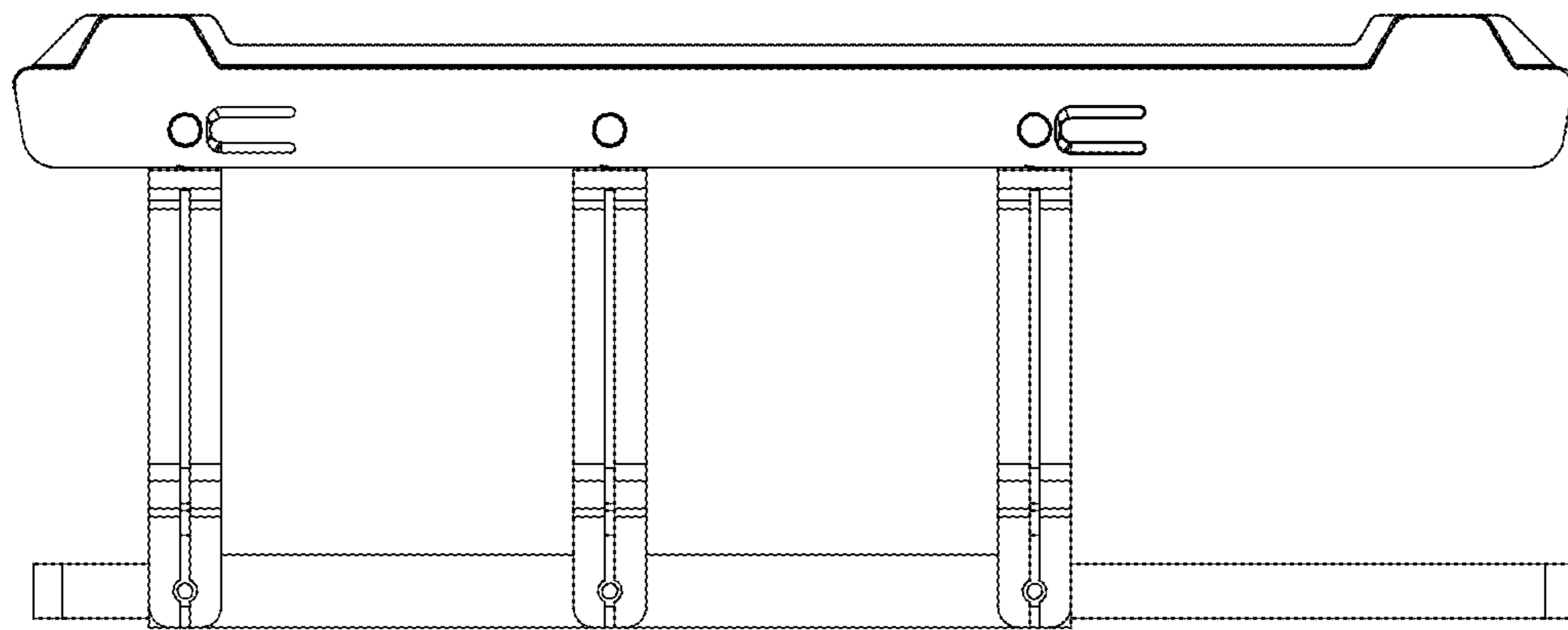


FIG. 6

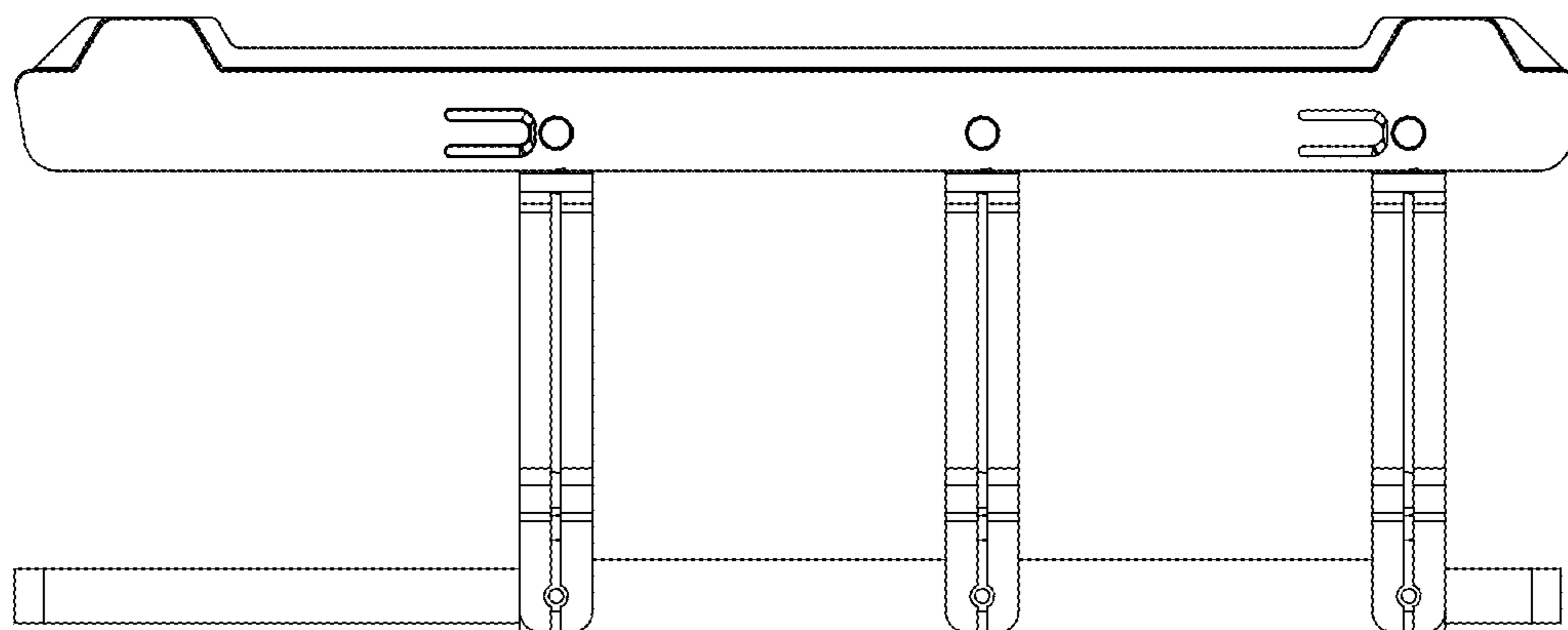
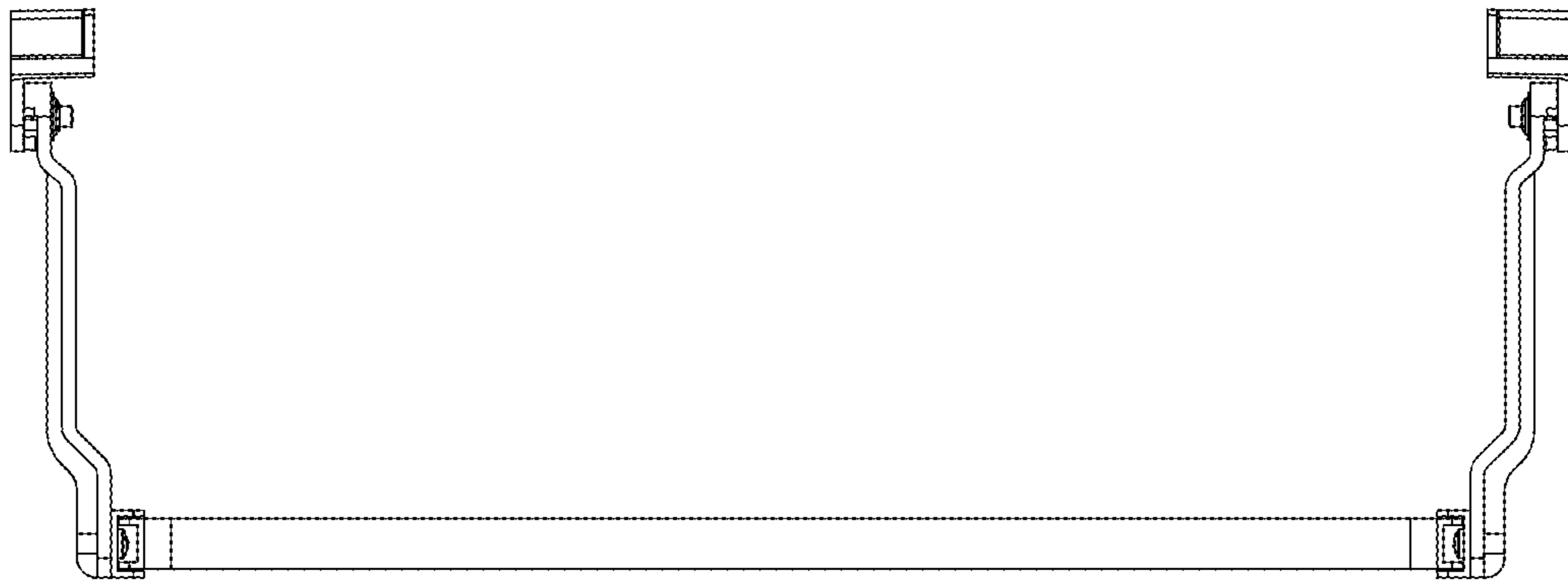


FIG. 7



FIG. 8



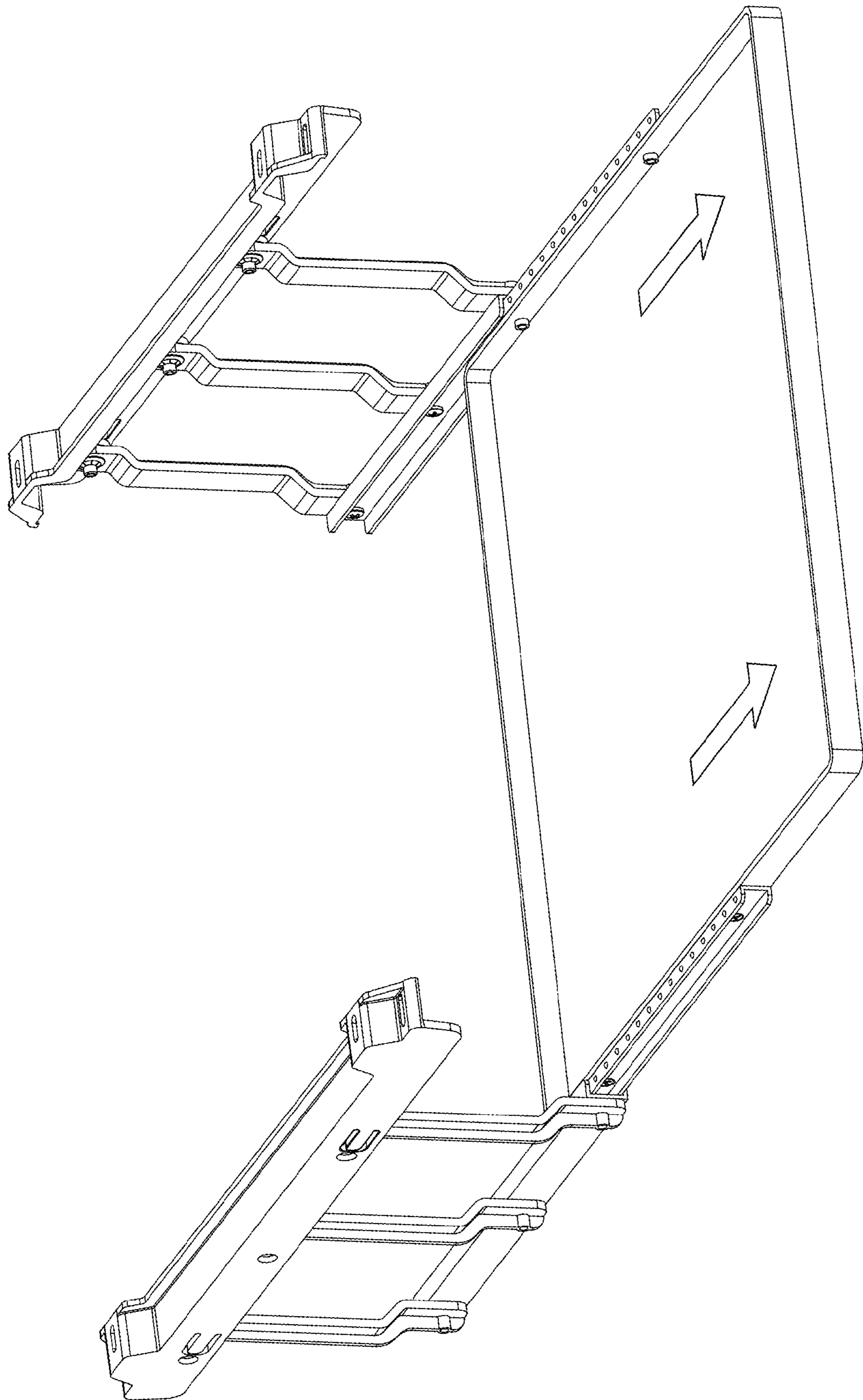


FIG. 9

FIG. 10

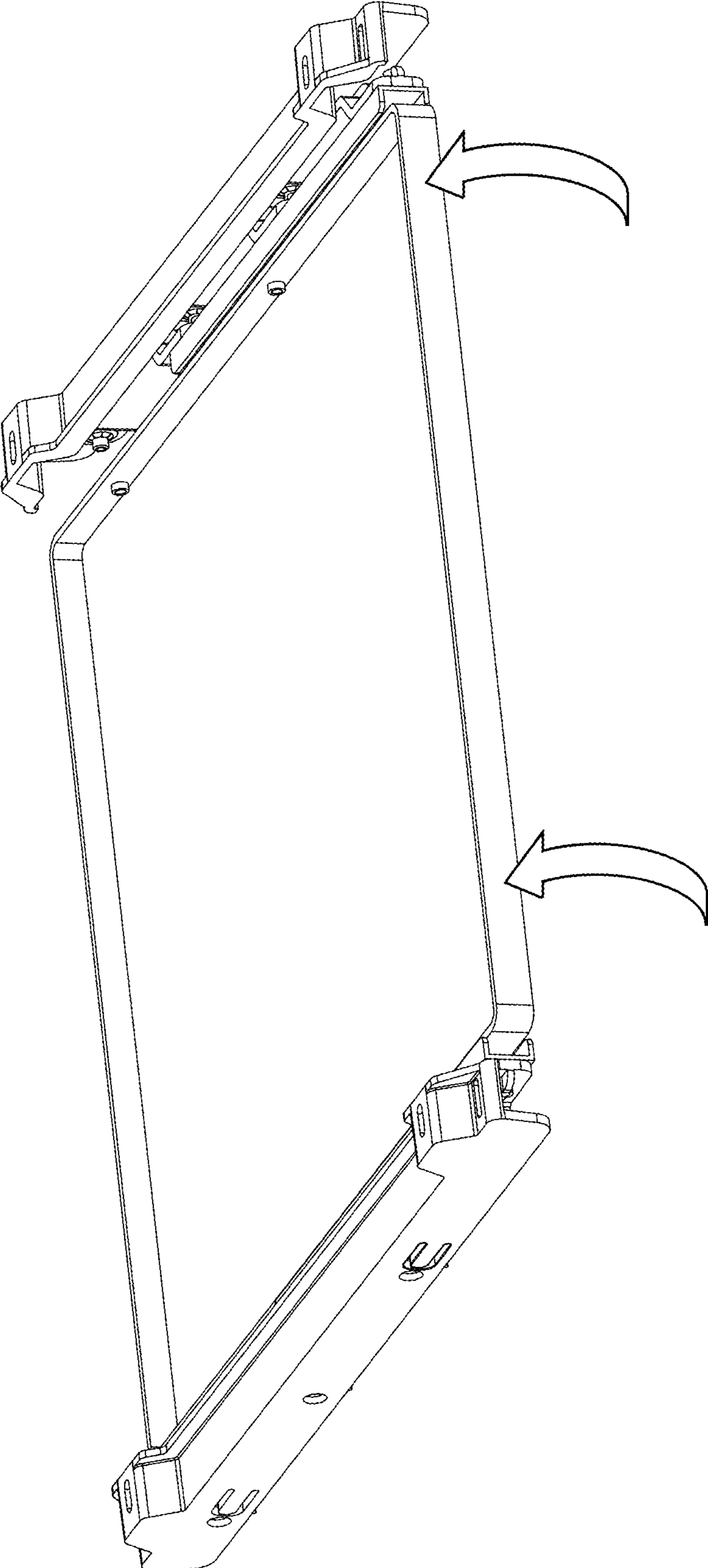


FIG. 11

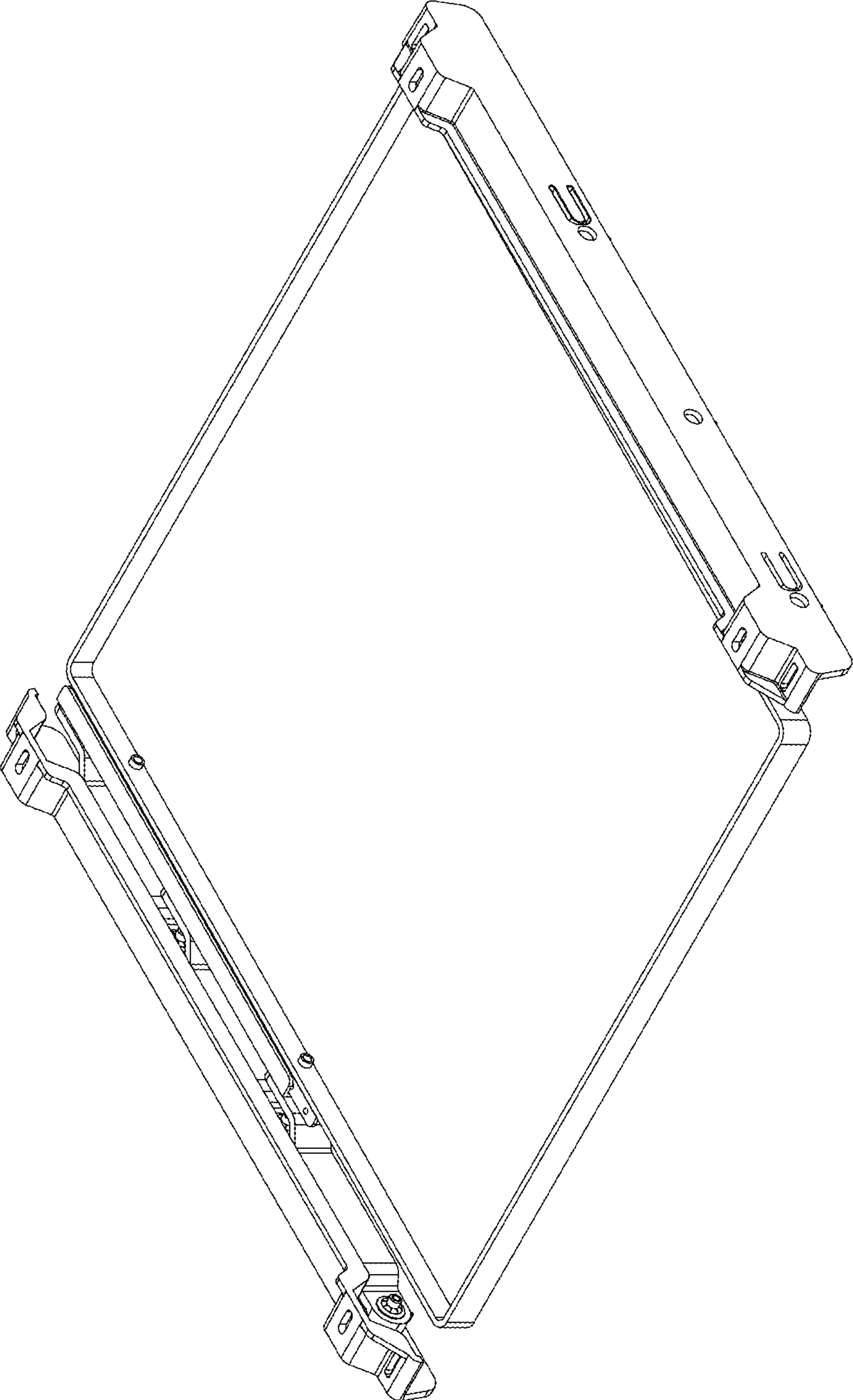


FIG. 12

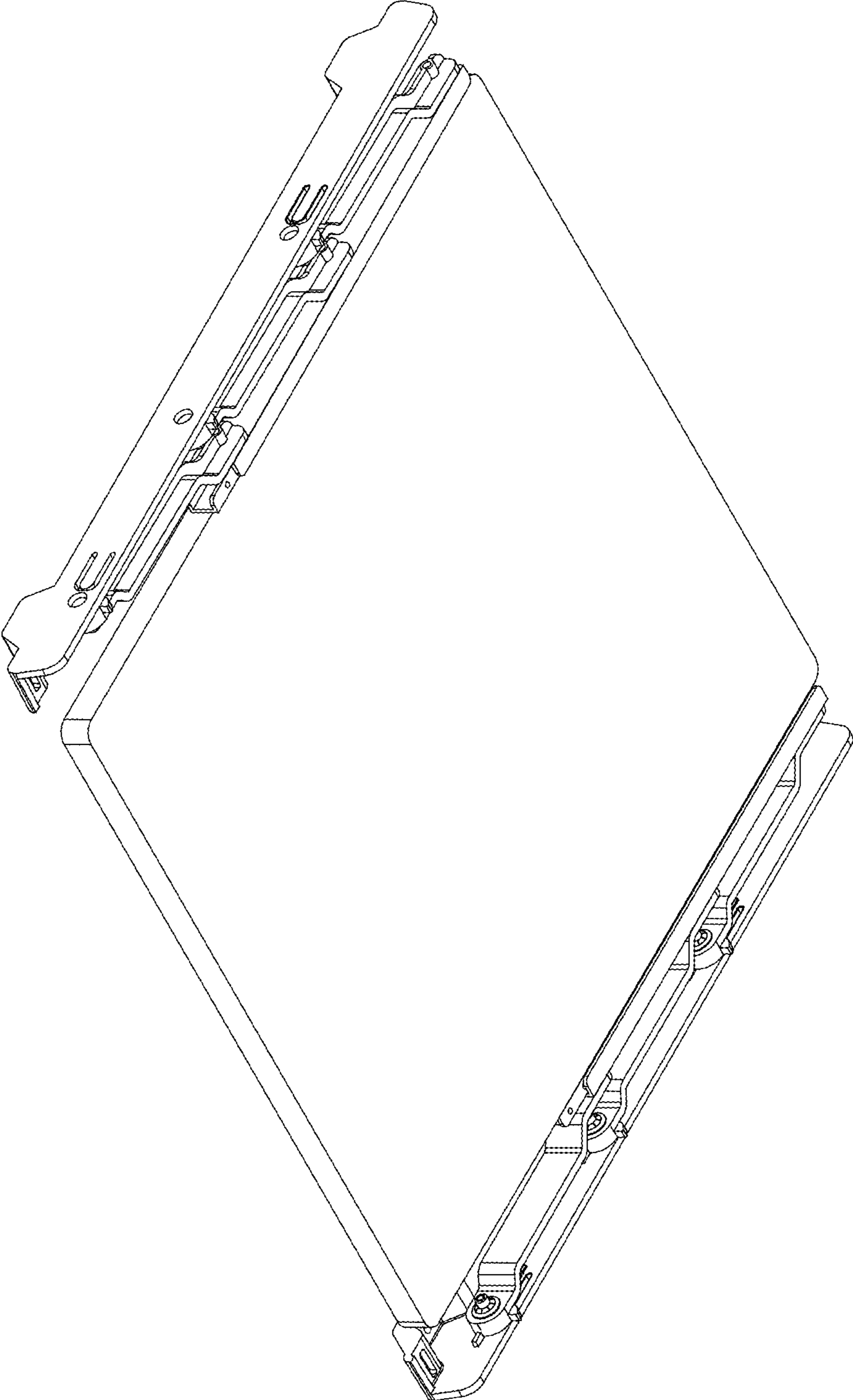


FIG. 13

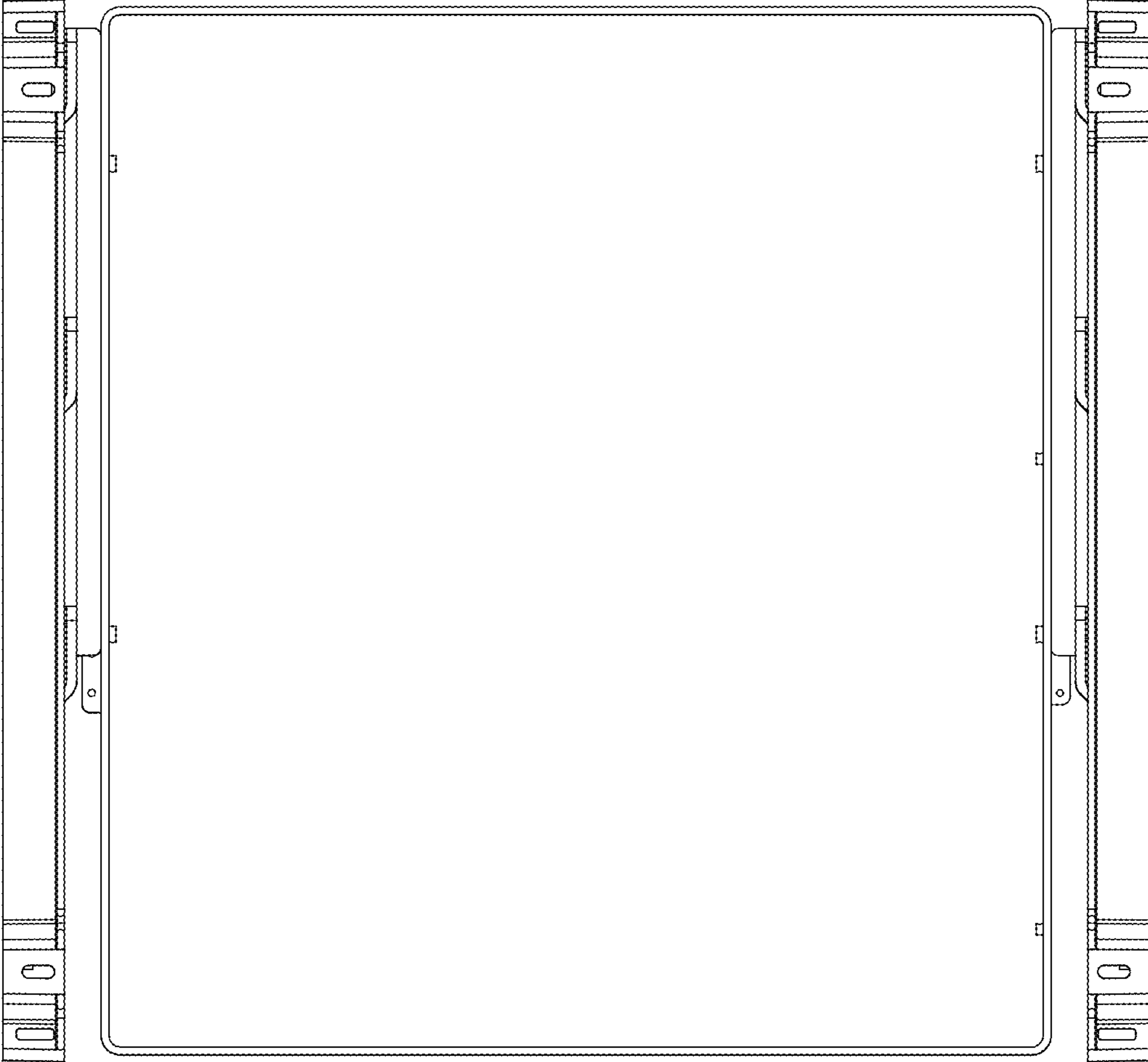


FIG. 14

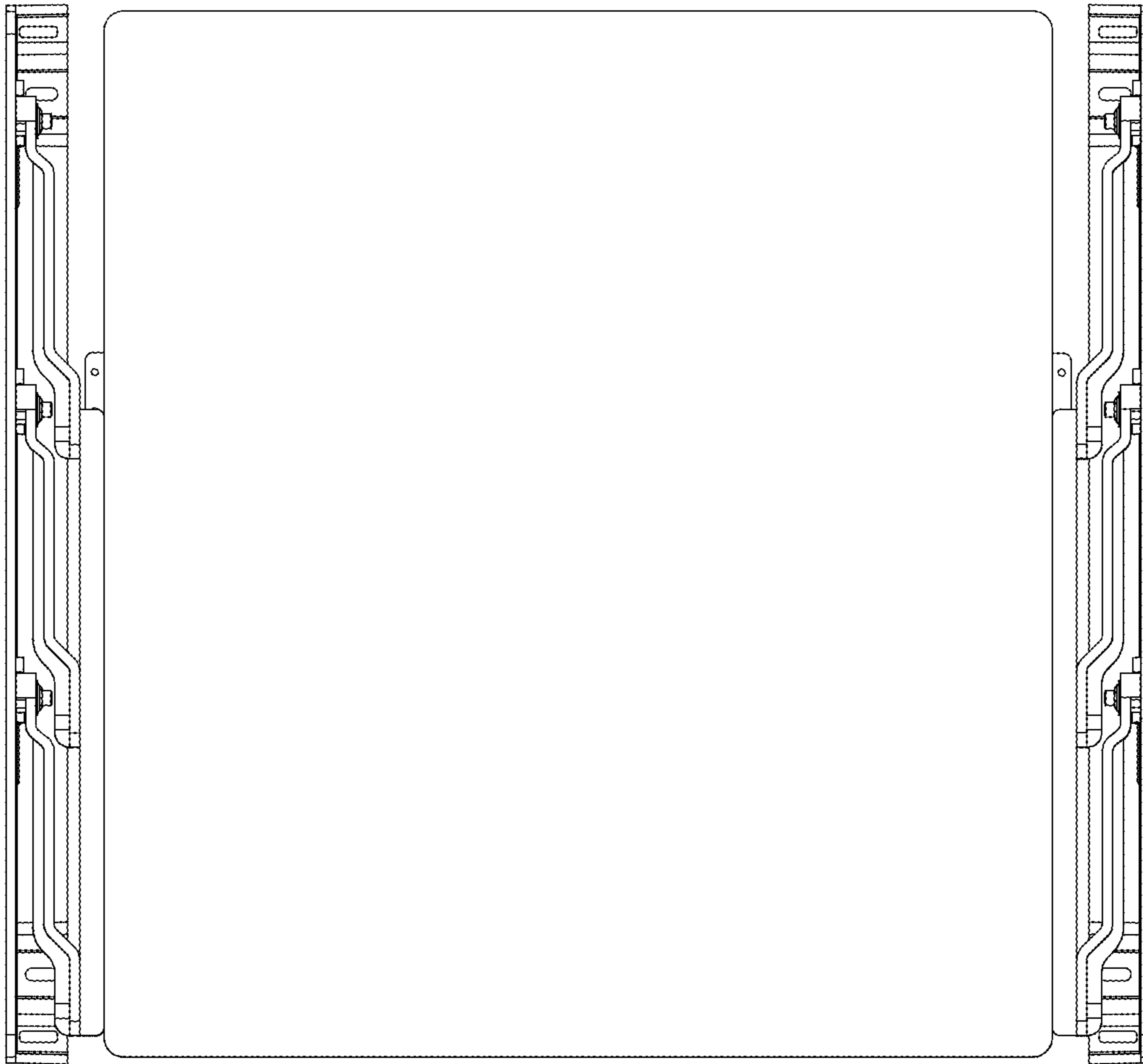


FIG. 15

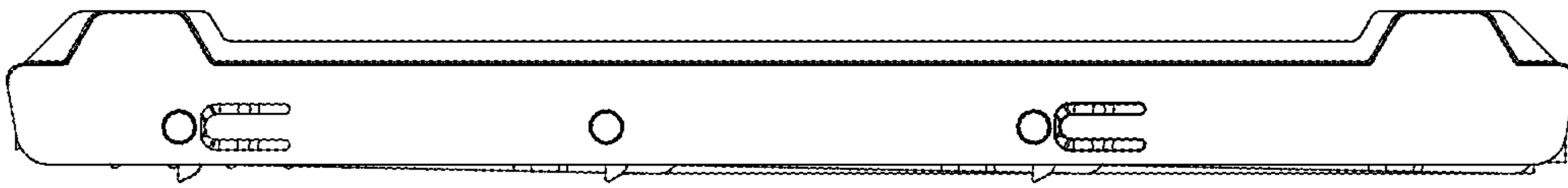


FIG. 16

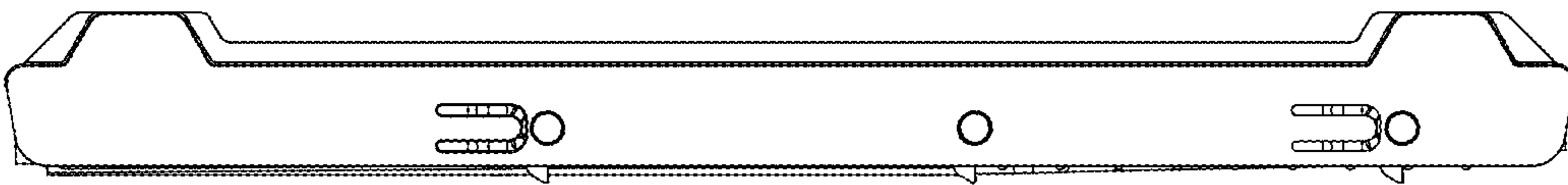


FIG. 17

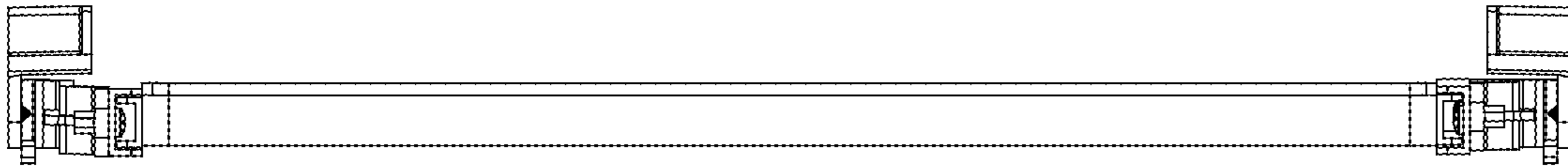
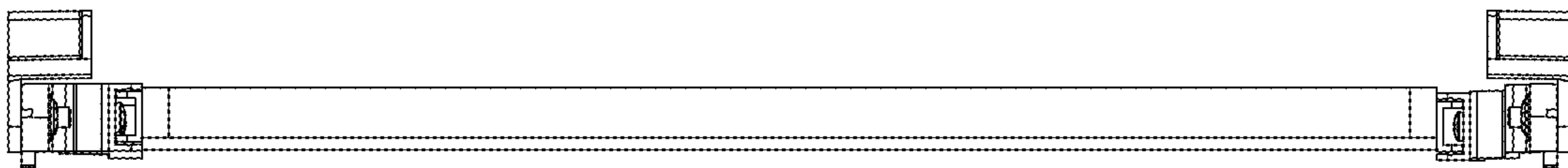


FIG. 18



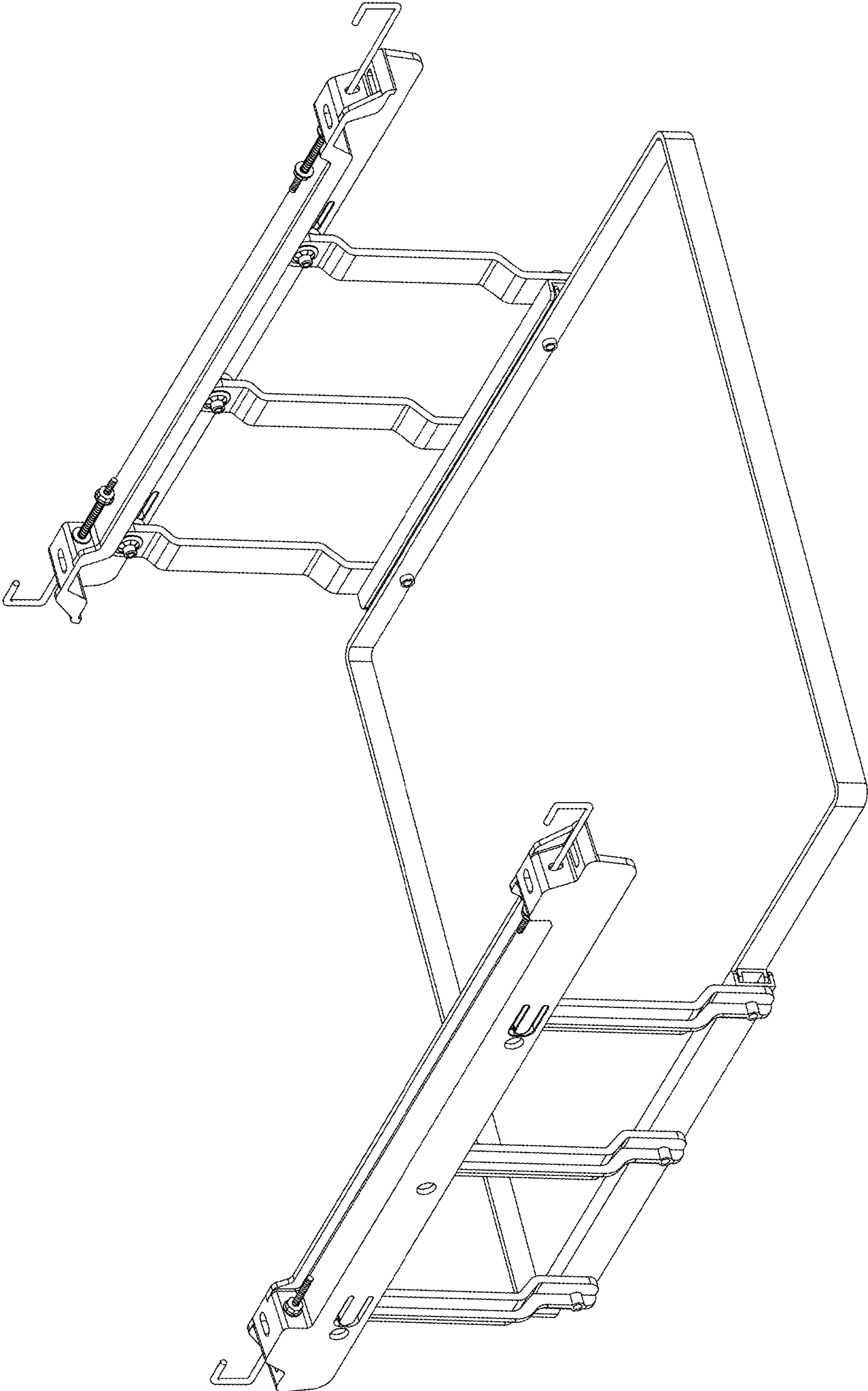


FIG. 19

FIG. 20

