



US00D958570S

(12) **United States Design Patent** (10) **Patent No.:** **US D958,570 S**
Dawson, Jr. (45) **Date of Patent:** **** Jul. 26, 2022**

(54) **DISPLAY TABLE**

(71) Applicant: **Albert Collin Dawson, Jr.**, Johnson City, TN (US)

(72) Inventor: **Albert Collin Dawson, Jr.**, Johnson City, TN (US)

(**) Term: **15 Years**

(21) Appl. No.: **29/736,406**

(22) Filed: **May 29, 2020**

(51) **LOC (13) Cl.** **06-04**

(52) **U.S. Cl.**
USPC **D6/671.1**

(58) **Field of Classification Search**
USPC D6/657, 661, 671, 671.1; D15/79, 86; D10/97; D20/4
CPC A47B 67/00; A47B 67/02; A47B 67/04; A47B 2095/025; A47J 39/006
See application file for complete search history.

(56) **References Cited**

U.S. PATENT DOCUMENTS

D254,883	S	*	5/1980	Jorda-Segui	D19/92
5,632,542	A	*	5/1997	Krivec	A47B 88/427 312/334.7
D432,813	S	*	10/2000	Hazen	D6/668.2
D441,221	S	*	5/2001	O'Hare	D6/671.1
D448,586	S	*	10/2001	O'Hare	D6/668.2
D451,700	S	*	12/2001	Vaaler	D6/671.1
D534,738	S	*	1/2007	Domack	D6/671.1
D569,654	S	*	5/2008	Thompson	D6/661
D587,494	S	*	3/2009	Cramer	D6/661
D623,442	S	*	9/2010	Zambelli	D6/671.1
D643,216	S	*	8/2011	Greiner	D3/296
D662,333	S	*	6/2012	Hoff	D6/671.1
D664,803	S	*	8/2012	Argondizzo	D7/368
D666,438	S	*	9/2012	Cressman	D6/705
D702,061	S	*	4/2014	Sengsavang	D6/667
D807,670	S	*	1/2018	Dawson, Jr.	D6/671.1

D882,991	S	*	5/2020	Dawson, Jr.	D6/671.1
2003/0041868	A1	*	3/2003	Deloach	A24F 25/02 131/329
2005/0029912	A1	*	2/2005	Falke	A47B 67/04 312/330.1
2008/0258591	A1	*	10/2008	Chiang	A47B 43/00 312/317.1
2009/0013732	A1	*	1/2009	Gianelo	E05B 17/2034 70/85
2011/0260592	A1	*	10/2011	Lin	F16B 12/125 312/265.5

* cited by examiner

Primary Examiner — Kevin K Rudzinski

Assistant Examiner — Paul D Bohannon

(74) *Attorney, Agent, or Firm* — Blanchard & Associates

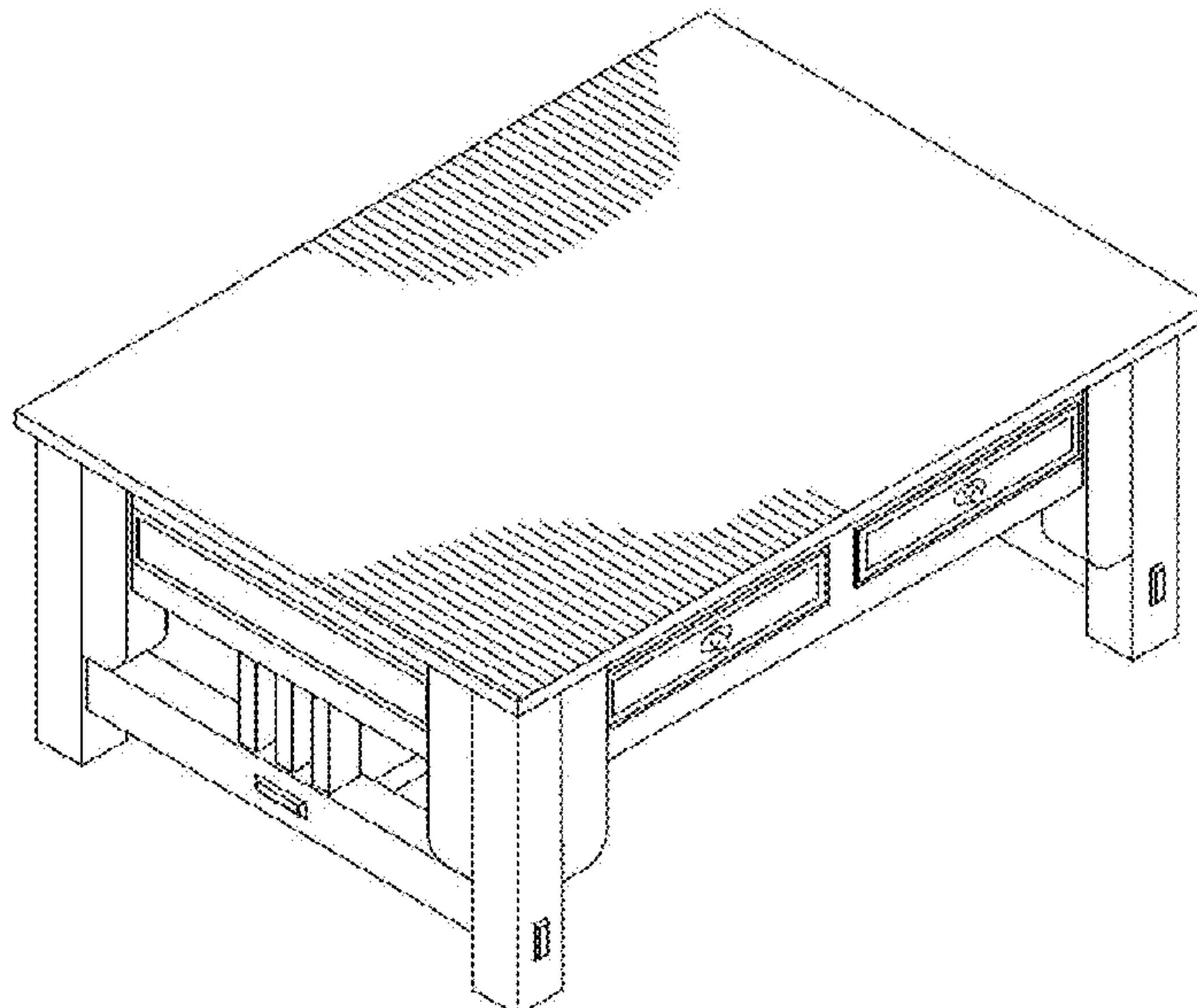
(57) **CLAIM**

I claim the ornamental design for a display table, as shown and described.

DESCRIPTION

FIG. 1 is a perspective view of a first embodiment of a display table;
FIG. 2 is a front side elevation view thereof;
FIG. 3 is a rear side elevation view thereof;
FIG. 4 is a left side elevation view thereof, the right side elevation view being a mirror image thereof;
FIG. 5 is a top view thereof;
FIG. 6 is a perspective view of a second embodiment of a display table;
FIG. 7 is a front side elevation view thereof;
FIG. 8 is a rear side elevation view thereof;
FIG. 9 is a left side elevation view thereof, the right side elevation view being a mirror image thereof; and,
FIG. 10 is a top view thereof.
The broken lines shown in the drawings are for the purpose of illustrating portions of the display table and form no part of the claimed design.

1 Claim, 6 Drawing Sheets



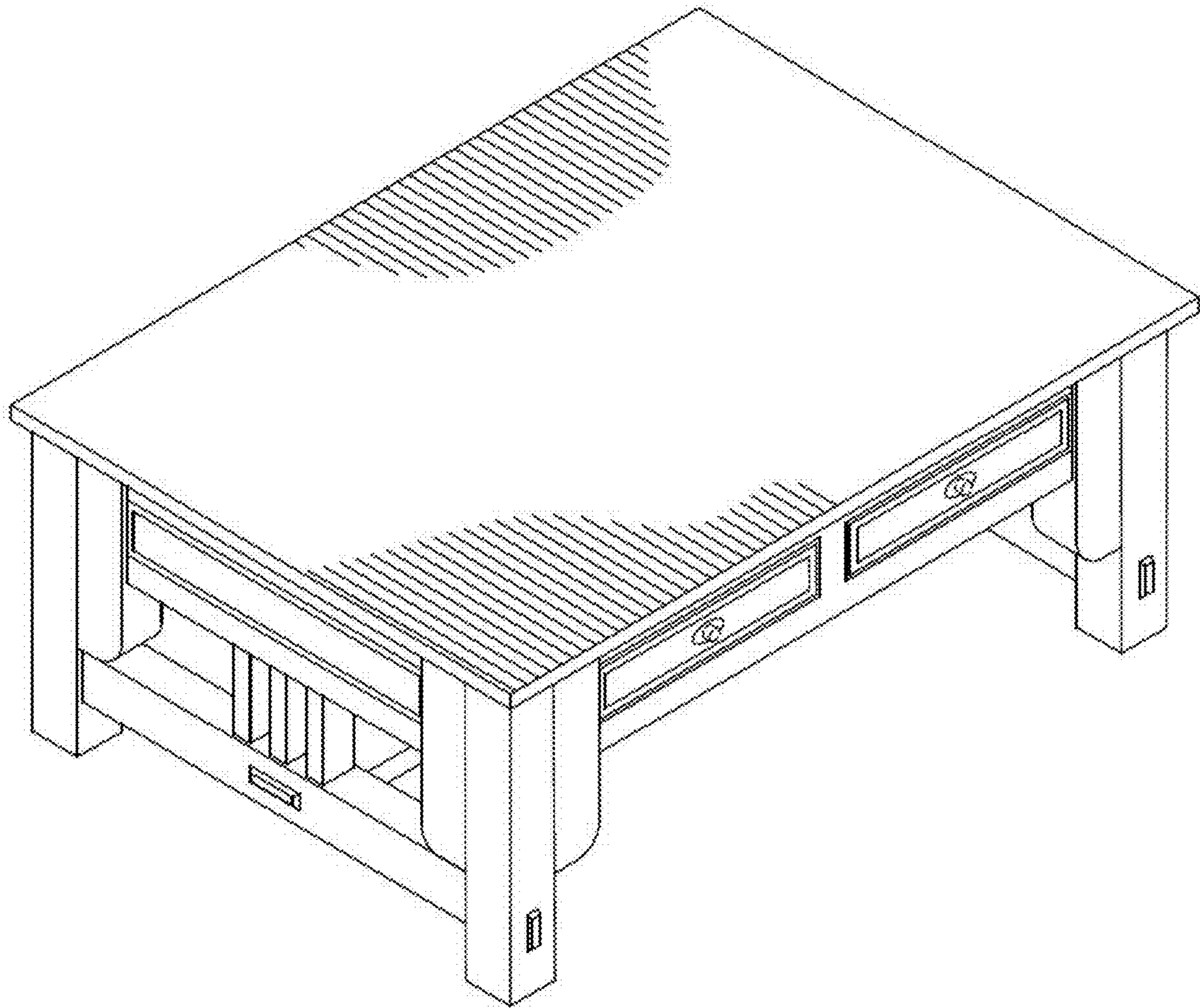


Fig. 1

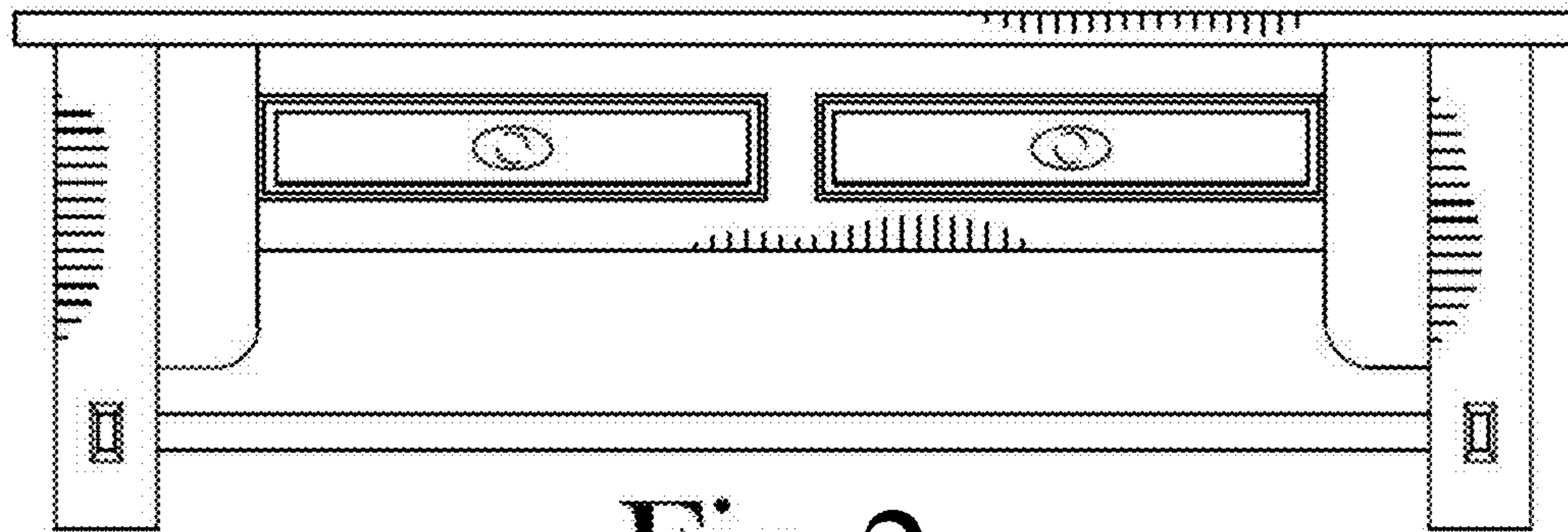


Fig. 2

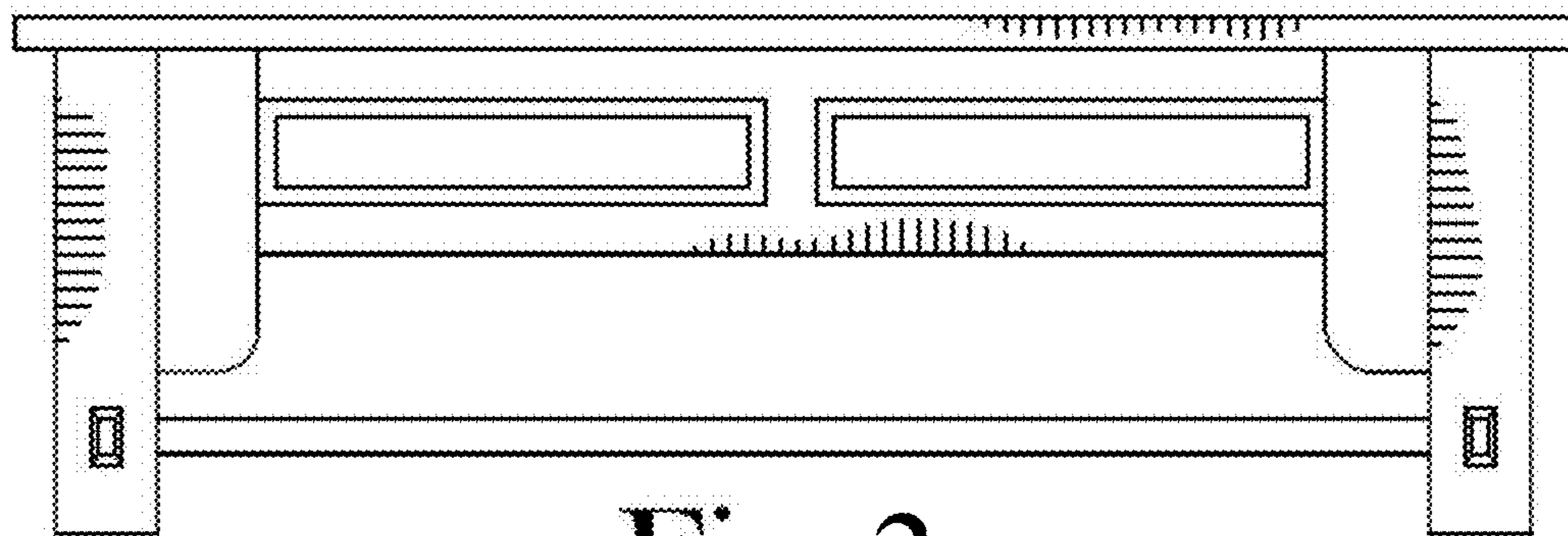


Fig. 3

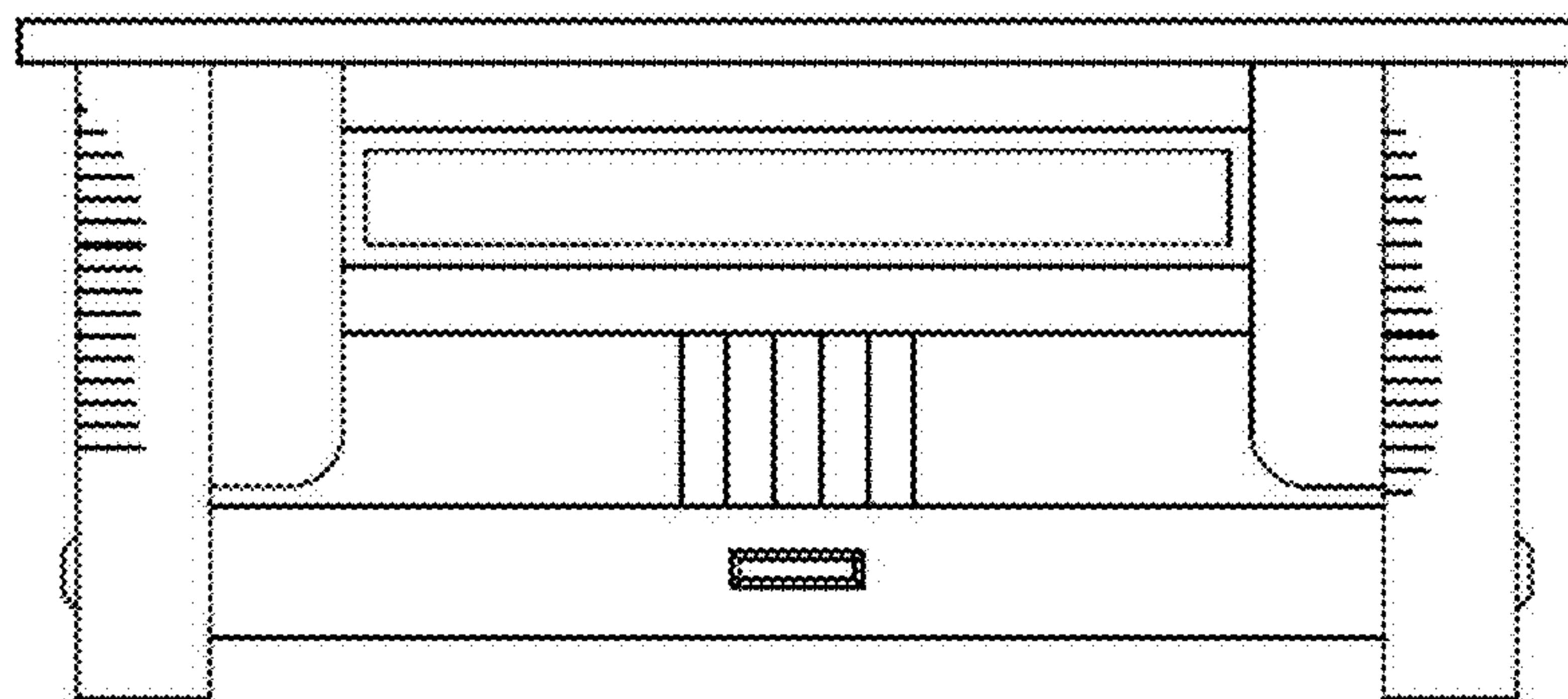


Fig. 4



Fig. 5

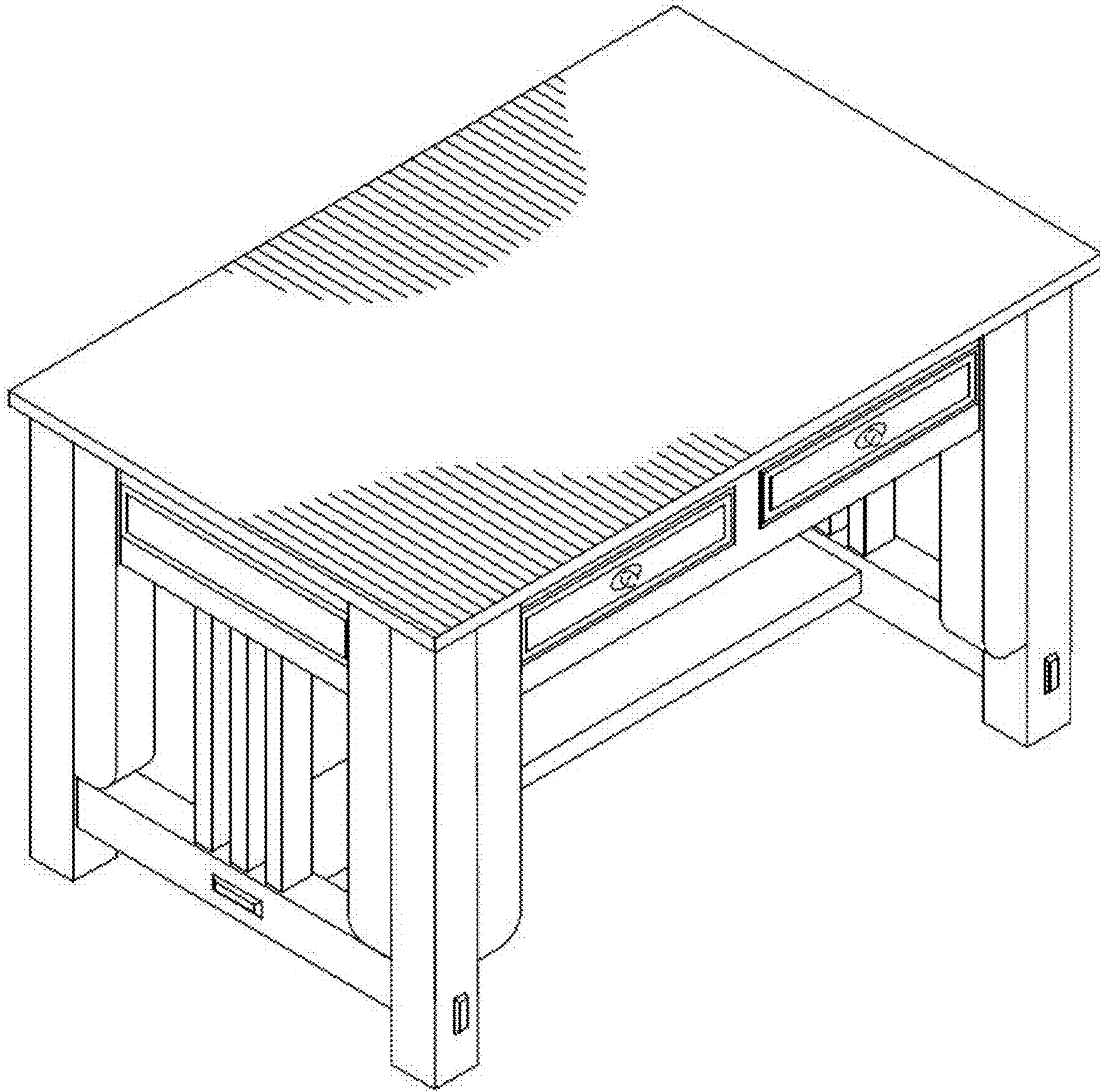


Fig. 6

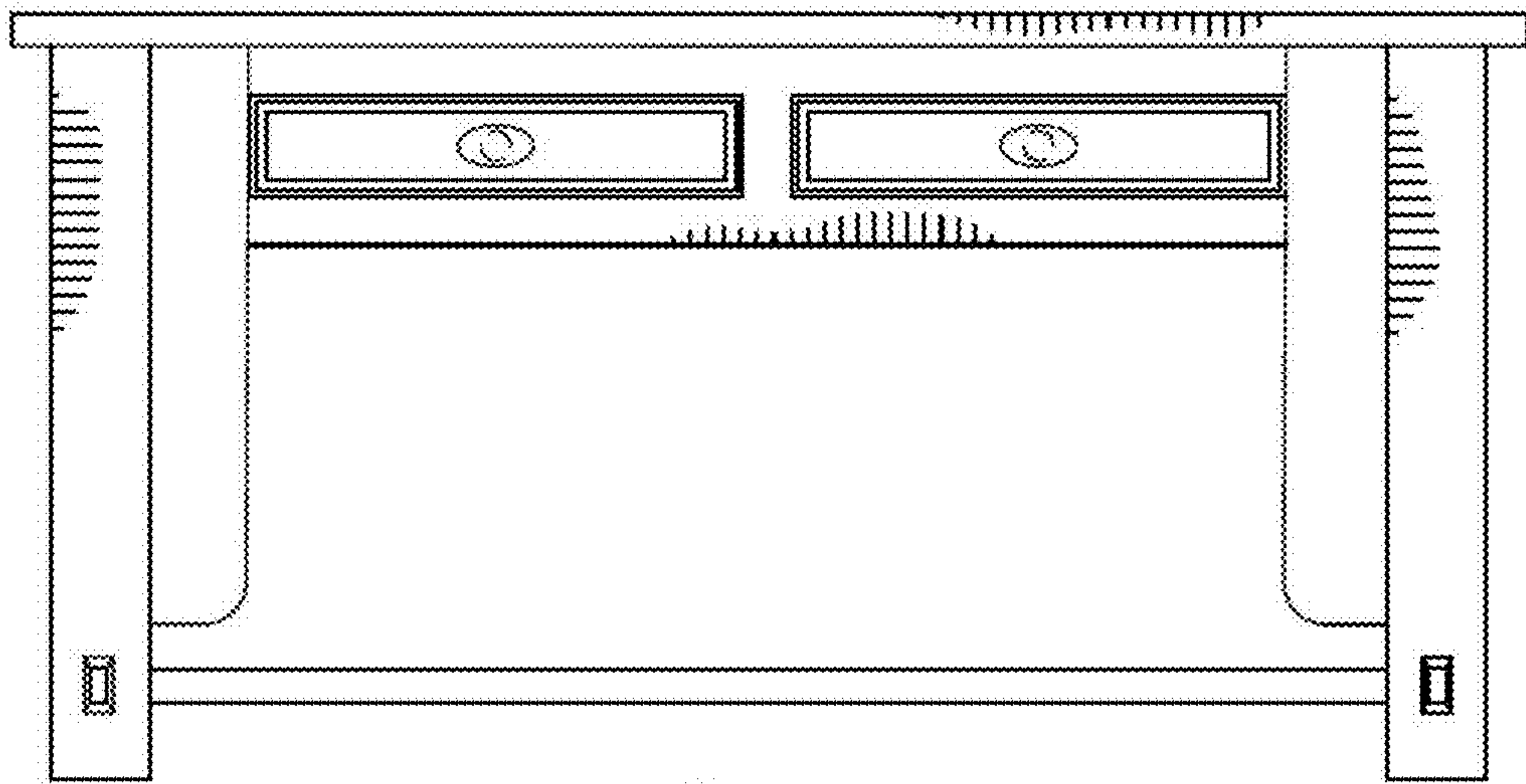


Fig. 7

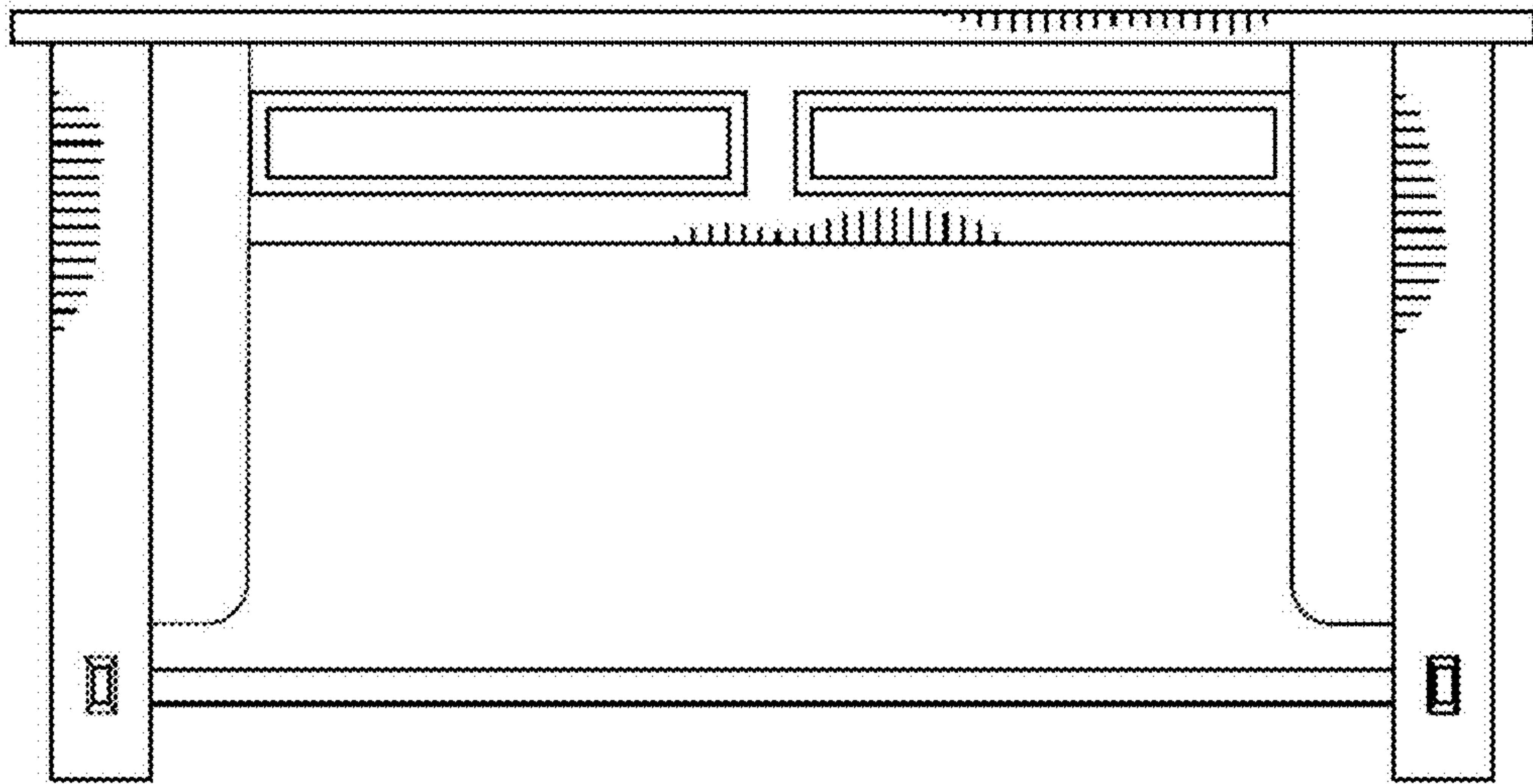


Fig. 8

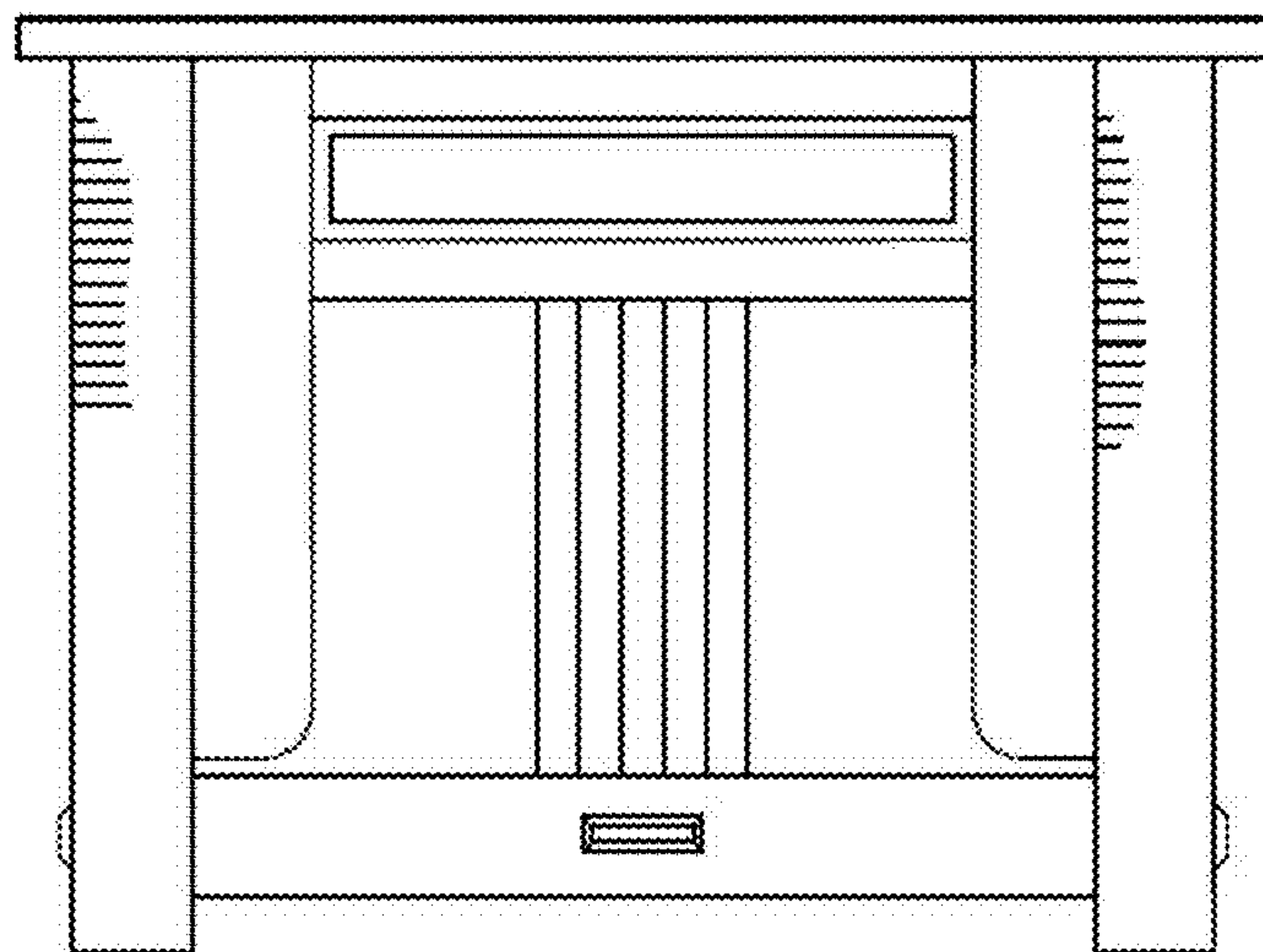


Fig. 9

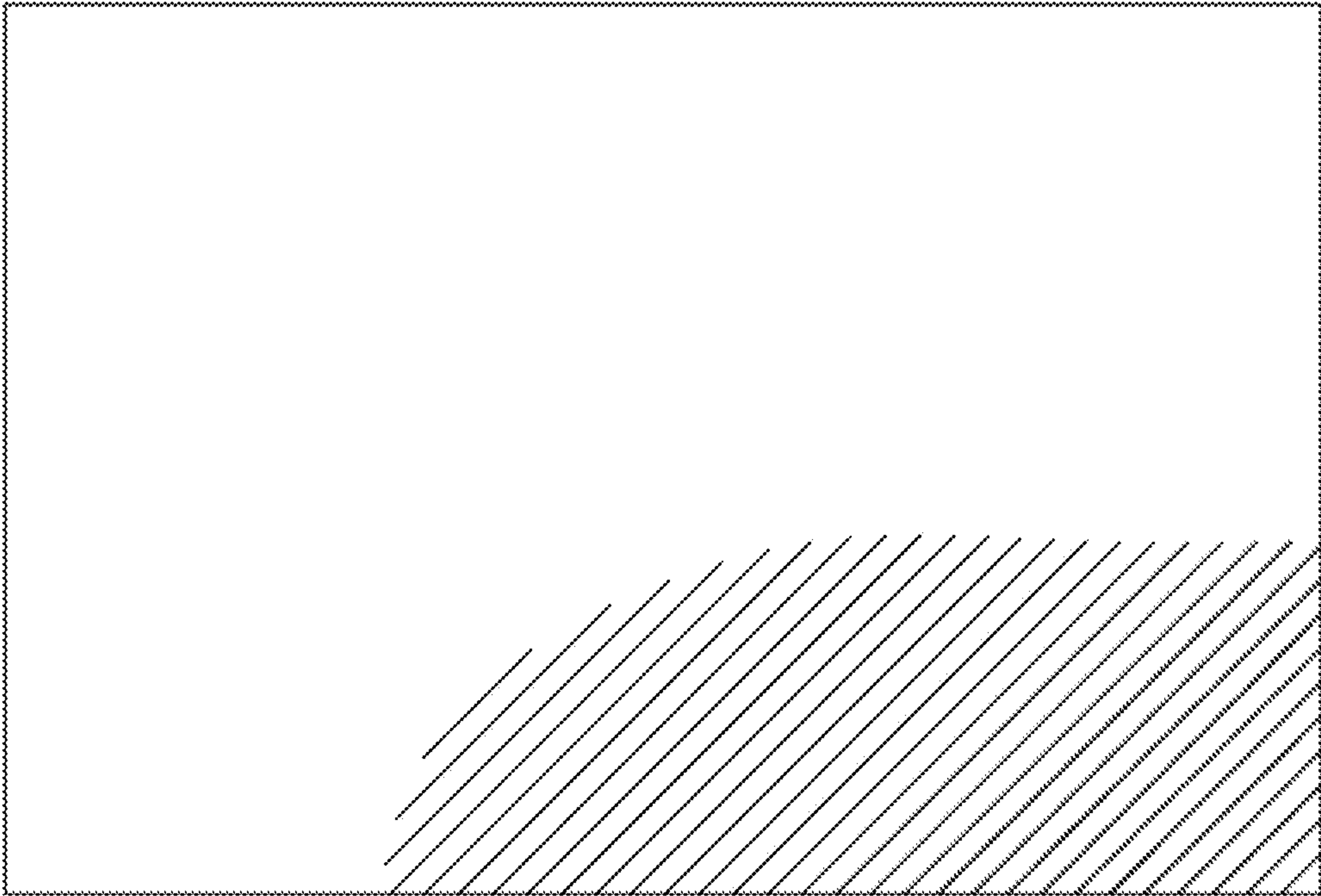


Fig. 10