



US00D958569S

(12) **United States Design Patent** (10) **Patent No.:** **US D958,569 S**
Davis et al. (45) **Date of Patent:** **** Jul. 26, 2022**

(54) **CABINET**
(71) Applicant: **WALKER EDISON FURNITURE COMPANY LLC**, Salt Lake City, UT (US)
(72) Inventors: **Matthew Davis**, Millcreek, UT (US); **Brad Bonham**, Draper, UT (US); **Richard Packer**, Kaysville, UT (US); **Alexa Naylor**, South Jordan, UT (US)

D165,243 S 11/1951 Porter
D167,392 S 8/1952 Carr
D167,770 S 9/1952 Porter
D168,840 S 2/1953 Herrman
D178,054 S 6/1956 Hermann
D182,832 S * 5/1958 Lubberts et al. D6/657
D187,232 S * 2/1960 Matyas D6/657
D189,040 S 10/1960 Knudsen
D193,516 S * 9/1962 Deaton D6/657
(Continued)

(73) Assignee: **Walker Edison Furniture Company LLC**, West Jordan, UT (US)

(**) Term: **15 Years**

(21) Appl. No.: **29/721,169**

(22) Filed: **Jan. 17, 2020**

(51) **LOC (13) Cl.** **06-04**

(52) **U.S. Cl.**
USPC **D6/671**

(58) **Field of Classification Search**
USPC D6/657, 663, 668.1, 668.2, 671, 671.1, D6/671.2, 705
CPC A47B 79/00; A47B 67/00; A47B 7/00; A47B 17/00; A47B 17/006; A47B 65/00; A47B 67/04

See application file for complete search history.

(56) **References Cited**

U.S. PATENT DOCUMENTS

D90,370 S 7/1933 McClure
D98,366 S 1/1936 Pumphrey
D106,296 S 10/1937 Krick
D106,299 S 10/1937 Krick
D120,370 S * 5/1940 Bach D6/657
D129,484 S 9/1941 Jiranek
D129,585 S 9/1941 Jiranek
D159,488 S 8/1950 Jiranek
D164,614 S 9/1951 Wallace
D165,241 S 11/1951 Porter

OTHER PUBLICATIONS

Door Square Accent Cabinet by Ivy Bronx, first available: Aug. 8, 2019. Wayfair.com [online], [site visited Jan. 5, 2022], Internet URL: <https://www.wayfair.com/furniture/pdp/ivy-bronx-glenni-2-door-square-accent-cabinet-w001062885.html?piid=1466162072> (Year: 2019).*

(Continued)

Primary Examiner — Steven J Czyz
Assistant Examiner — Hillary Catherine Shepard
(74) *Attorney, Agent, or Firm* — Workman Nydegger

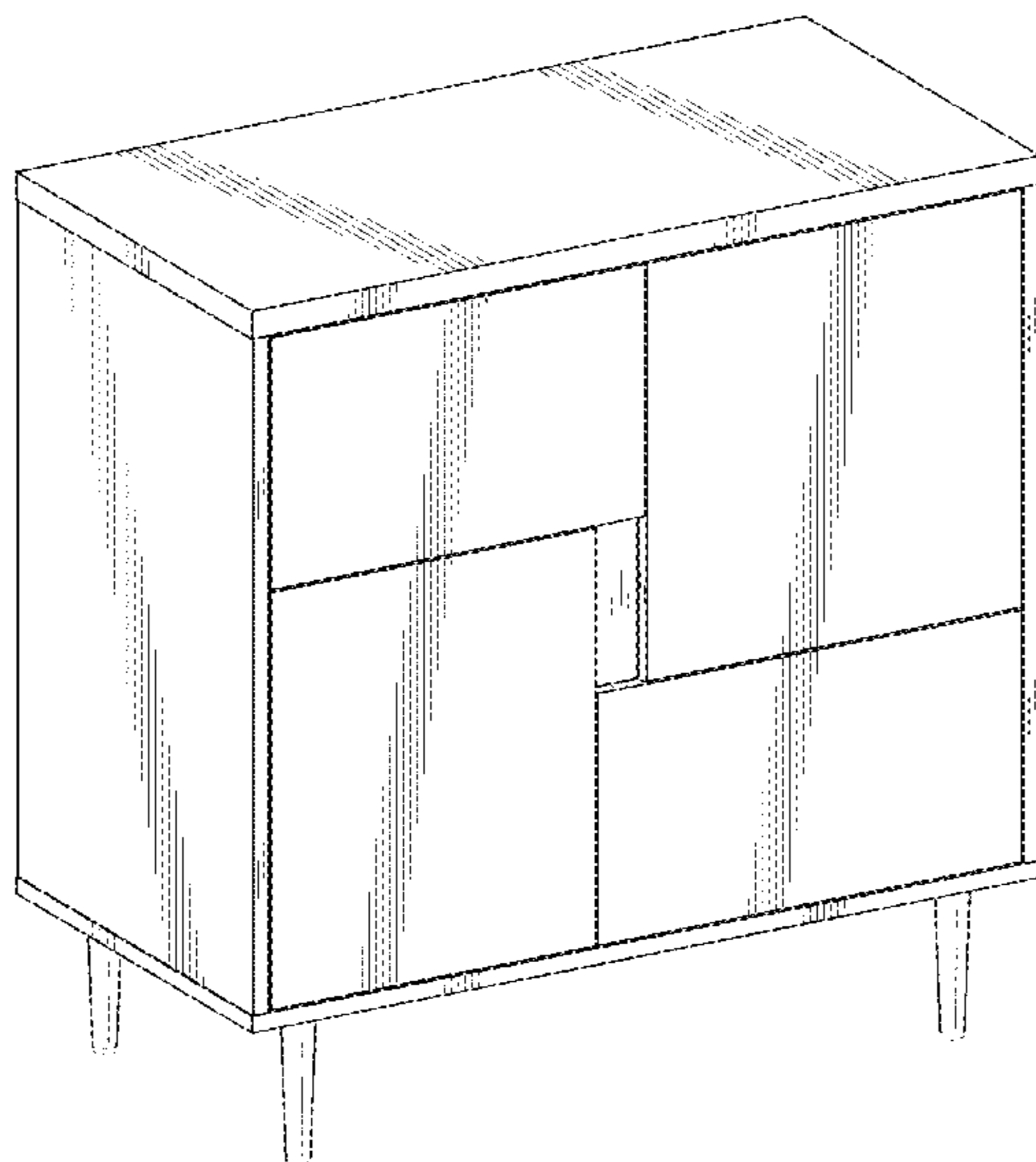
(57) **CLAIM**

The ornamental design for a cabinet, as shown and described.

DESCRIPTION

FIG. 1 is a front perspective view of a cabinet showing the new design;
FIG. 2 is a front elevation view thereof;
FIG. 3 is a back elevation view thereof;
FIG. 4 is a top plan view thereof;
FIG. 5 is a bottom plan view thereof;
FIG. 6 is a right elevation view thereof; and,
FIG. 7 is a left elevation view thereof.
The broken lines in the drawings are for the purpose of illustrating portions of the article that form no part of the claimed design.

1 Claim, 4 Drawing Sheets



(56)

References Cited

U.S. PATENT DOCUMENTS		
D193,717 S	10/1962	Deaton
D203,194 S	12/1965	Klein
D205,290 S	7/1966	Klein
D241,293 S	9/1976	Introini
D251,885 S	5/1979	Tebbe
D259,316 S	5/1981	Offredi
D296,505 S	7/1988	Kaliski
D312,738 S	12/1990	Newhouse
D348,574 S	7/1994	Brunner
D350,042 S	8/1994	Shepherd
D368,604 S	* 4/1996	Gotham D6/657
D370,572 S	6/1996	Lin
D379,880 S	6/1997	Stoekli
D384,525 S	10/1997	McBrayer
D388,634 S	* 1/1998	Mulligan D6/657
D394,171 S	5/1998	De Blaay
D396,577 S	8/1998	Zaidman
D398,186 S	9/1998	Zaidman
D401,443 S	11/1998	Zaidman
D405,768 S	2/1999	O'Sullivan
D406,705 S	* 3/1999	Zaidman D6/657
D407,238 S	3/1999	Zaidman
D408,169 S	* 4/1999	Welborn, Jr. D6/664
D431,934 S	10/2000	Chininis
D436,754 S	1/2001	Bellini
D440,071 S	4/2001	Hutton
D440,073 S	4/2001	Cain
D440,074 S	4/2001	Hutton
D440,427 S	* 4/2001	Melillo D6/671
D462,008 S	8/2002	Stone
D466,332 S	12/2002	Risdon
D475,225 S	6/2003	McBrayer
D485,098 S	1/2004	Harris
D485,451 S	1/2004	De Blois
D487,200 S	3/2004	Wanek
D488,002 S	4/2004	Wanek
D493,043 S	7/2004	Juneau
D495,527 S	* 9/2004	Walker D6/657
D496,190 S	9/2004	Muhundro
D499,274 S	12/2004	Juneau
D502,821 S	3/2005	Muhundro
D503,297 S	3/2005	Muhundro
D506,089 S	6/2005	Muhundro
D508,347 S	8/2005	Juneau
D511,053 S	11/2005	Peterson
D511,055 S	11/2005	Draheim
D511,254 S	11/2005	Draheim
D512,247 S	12/2005	Prillaman
D512,852 S	12/2005	Peterson
D515,842 S	2/2006	Peterson
D516,342 S	3/2006	Mohundro
D519,299 S	4/2006	Boudreau
D522,270 S	6/2006	Roeseler
D525,049 S	7/2006	Mohundro
D526,814 S	8/2006	Juneau
D529,309 S	* 10/2006	Juneau D6/657
D531,835 S	* 11/2006	Harwanko D6/662.1
D532,992 S	12/2006	Kingsley
D533,732 S	12/2006	Juneau
D542,057 S	5/2007	Juneau
D560,388 S	1/2008	Bacon
D568,078 S	5/2008	Kohagen
D569,127 S	* 5/2008	Kanthisamy D6/657
D596,421 S	7/2009	Kanthisamy
D599,134 S	9/2009	Jeup
D604,959 S	12/2009	Good
D605,438 S	12/2009	Hand
D609,496 S	2/2010	Kanthisamy
D610,831 S	3/2010	Hand
D615,242 S	5/2010	Rutkowski
D626,635 S	11/2010	Thomas
D627,994 S	* 11/2010	Wahl D6/708
D628,828 S	12/2010	Everson
D655,946 S	* 3/2012	Sexton D6/661
D677,074 S	* 3/2013	Olson D6/657

D718,956 S	12/2014	Heiser
D725,410 S	* 3/2015	Park D6/657
D738,142 S	9/2015	Glattstein
D747,123 S	1/2016	Zambelli
D767,307 S	9/2016	Migeon
D805,814 S	12/2017	Ginestra
D805,817 S	12/2017	Beckman
D812,935 S	3/2018	Hannoosh
D813,573 S	3/2018	Hannoosh
D815,465 S	* 4/2018	Hannoosh D6/657
D815,466 S	4/2018	Hannoosh
D815,467 S	4/2018	Hannoosh
D815,468 S	4/2018	Hannoosh
D818,745 S	5/2018	Hannoosh
D838,517 S	1/2019	Knox
D838,518 S	1/2019	Knox
D838,519 S	1/2019	Knox
D848,767 S	5/2019	Smrstick
D861,387 S	10/2019	Bray
D861,388 S	10/2019	Bray
D861,389 S	10/2019	Bray
D861,393 S	10/2019	Pedersen
D862,134 S	10/2019	Bray
D862,135 S	10/2019	Birch
D862,943 S	10/2019	Nakamura
D862,944 S	10/2019	Nakamura
D863,841 S	10/2019	Dumouchel
D867,033 S	11/2019	Bellini
D867,791 S	11/2019	Birch
D885,798 S	6/2020	Sumlin
D889,170 S	7/2020	Knox
D889,886 S	7/2020	Birch
D894,641 S	9/2020	Davis
D894,644 S	9/2020	Knox
D895,328 S	9/2020	Knox
D895,329 S	9/2020	Knox
D896,008 S	9/2020	Xiao
D904,802 S	* 12/2020	Davis D6/657
D905,480 S	12/2020	Bakker
D906,020 S	* 12/2020	Davis D6/657
D906,021 S	* 12/2020	Davis D6/657
D906,739 S	1/2021	Bakker
D911,078 S	2/2021	Harris
D911,079 S	2/2021	Harris
D914,400 S	* 3/2021	Davis D6/657
D922,798 S	* 6/2021	Packer D6/657
D926,500 S	* 8/2021	Davis D6/657
D927,230 S	8/2021	Stravitz
D929,159 S	* 8/2021	Davis D6/671.1
D929,779 S	9/2021	Davis
D931,016 S	* 9/2021	Davis D6/657
D934,597 S	11/2021	Nakhla
D935,237 S	* 11/2021	Davis D6/657
D935,810 S	* 11/2021	Davis D6/671.1
D939,868 S	1/2022	Chen
D941,617 S	1/2022	Kobayashi
D944,572 S	3/2022	Davis
2004/0055980 A1	3/2004	Krieger
2007/0257587 A1	11/2007	Jackson
2013/0126452 A1	5/2013	Lo
2013/0127316 A1	5/2013	Wu
2014/0231404 A1	8/2014	Struck

OTHER PUBLICATIONS

Accent Entryway Bar Cabinet by Walker Edison, first available: Jul. 1, 2020. Amazon.com [online], [site visited Jan. 5, 2022], Internet URL: <https://www.amazon.com/Walker-Edison-Furniture-Company-AZF30ADDSG/dp/B07VK78VKD?th=1> (Year: 2020).*

Storage Cabinet by Forest Gate, first available: Apr. 1, 2020. Bedbathandbeyond.com [online], [site visited Jan. 5, 2022], Internet URL: <https://www.bedbathandbeyond.com/store/product/forest-gate-modern-30-inch-storage-cabinet/5438479?> (Year: 2020).*

Carson Carrington Longyearbyen Mid-century Modern Nightstand, Overstock.com, review date with photograph of Jan. 22, 2019, site visited Dec. 9, 2020, available online at <https://www.overstock.com/Home-Garden/Carson-Carrington-Longyearbyen-20-inch-Mid-century-2-drawer-Nightstand/25482942/customer-reviews.html> (Year: 2019).

(56)

References Cited

OTHER PUBLICATIONS

- Mid-Century Solid Pine Three-Drawer Storage Chest, Middlebrook Designs, Overstock.com, review date with photo of Jun. 8, 2019, site visited Dec. 9, 2020, available online at <https://www.overstock.com/Home-Garden/Mid-Century-3-Drawer-Chest/25483239/customer-reviews.html> (Year: 2019).
- West Elm Mid-Century 6-Drawer Dresser, Copycatchic.com, Apr. 7, 2016, site visited Dec. 10, 2020, available online at <https://www.bloglovin.com/blogs/copy-cat-chic-1715405/west-elm-mid-century-6-drawer-dresser-4825048972> (Year: 2016).
- U.S. Appl. No. 29/698,929, dated Dec. 14, 2020, Office Action.
- U.S. Appl. No. 29/698,933, dated Dec. 14, 2020, Office Action.
- U.S. Appl. No. 29/698,934, dated Dec. 14, 2020, Office Action.
- “Walker Edison Wood Dresser.” Found online Jun. 16, 2021 at www.amazon.com. Product first available Sep. 4, 2018. Retrieved from URL: <https://www.amazon.com/WE-Furniture-AZR6DDDRWT-Dresser-Walnut/dp/B07H35NSL3?th=1> (Year: 2018).
- “Ikea 8-drawer dresser.” Found online Jun. 16, 2021 at www.amazon.com. Product first available Aug. 25, 2016. Retrieved from URL: <https://www.amazon.com/8-drawer-dresser-white-stain-228-52617-3834/dp/B01LOE13SC> (Year: 2016).
- “VASAGLE End Table . . .” Oct. 1, 2018, [amazon.com](https://www.amazon.com), site visited Sep. 22, 2021 <https://www.amazon.com/VASAGLE-Nightstand-Stackable-Compartment-Industrial/dp/B07B7LSKPQ/ref=cm_cr_ar_p_d_product_top?ie=UTF8> (Year: 2018).
- U.S. Appl. No. 29/677,754, dated Jun. 23, 2021, Office Action.
- U.S. Appl. No. 29/698,929, dated Jul. 20, 2021, Notice of Allowance.
- U.S. Appl. No. 29/698,933, dated Jul. 20, 2021, Notice of Allowance.
- U.S. Appl. No. 29/698,934, dated Jul. 20, 2021, Notice of Allowance.
- U.S. Appl. No. 29/743,596, dated Sep. 30, 2021, Notice of Allowance.
- U.S. Appl. No. 29/743,597, dated Oct. 1, 2021, Notice of Allowance.
- U.S. Appl. No. 29/767,920, filed Jan. 26, 2021, Duhadway.
- U.S. Appl. No. 29/767,921, filed Jan. 26, 2021, Duhadway.
- U.S. Appl. No. 29/767,926, filed Jan. 26, 2021, Duhadway.
- U.S. Appl. No. 29/768,124, filed Jan. 27, 2021, Naylor.
- YouTube; Bourbon Moth Woodworking; Mid Century Walnut Hutch Build/ How-To; Jul. 24, 2018; <https://www.youtube.com/watch?app=desktop&v=R8a4TynV67o&feature=youtu.be>.
- Appliancesconnection.com; Walker Edison Buffet BU52SV6D; retrieved on Mar. 11, 2021; <https://www.appliancesconnection.com/walker-edison-bu52sv6d.html>.
- “Walker Edison Furniture AZR2DSLNSCA nightstand Caramel.” Found online Mar. 26, 2021 at www.amazon.com. Product reviewed Apr. 15, 2019. Retrieved from URL: <https://www.amazon.com/WE-Furniture-AZR3DSLDRWT-Dresser-Walnut/dp/B07N26W6PG?th=1> (Year: 2019).
- Eden Bridge Designs Mid Century Nightstand. Found online Mar. 26, 2021 at www.amazon.co.uk. Product first available Apr. 22, 2019. Retrieved from URL: https://www.amazon.co.uk/WE-Furniture-Century-Nightstand-Storage/dp/B07QXLKMWW?ref_=ast_sto_dp&th=1 (Year: 2019).
- “Sonoma 2-Drawer Walnut Nightstand by Bellamy Studios.” Found online Mar. 26, 2021 at www.walmart.com. Product reviewed Mar. 21, 2020. Retrieved from URL: <https://tinyurl.com/2yahxxzc> (Year: 2020).
- Eden Bridge Design Modern Midcentury Dresser. Found online Mar. 26, 2021 at www.amazon.co.uk. Product first available Jan. 23, 2019. Retrieved from URL: <https://tinyurl.com/r6uscnuw> (Year: 2019).
- Walker Edison 3 Drawer. Found online Mar. 26, 2021 at www.amazon.com. Product reviewed Apr. 15, 2019. Retrieved from URL: https://www.amazon.com/WE-Furniture-AZR6DSLDRCA-Dresser-Caramel/dp/B07N28F4BL/ref=dp_fod_3?pd_rdJ=B07N26VX8S&th=1 (Year: 2019).
- Desert Fields Sonoma 3-Drawer Caramel Dresser. Found online Mar. 26, 2021 at www.walmart.com. Product reviewed May 16, 2019. Retrieved from URL: <https://www.walmart.com/ip/Desert-Fields-Sonoma-3-Drawer-Caramel-Dresser/753739235?selected=true> (Year: 2019).
- “Eden Bridge Designs Dresser.” Found online Mar. 26, 2021 at www.amazon.co.uk. Product first available Jan. 23, 2019. Retrieved from URL: <https://www.amazon.co.uk/WE-Furniture-Walker-Century-Dresser/dp/B07N26VX8S> (Year: 2019).
- “Carson Carrington Gammelstaden Mid-century 6-drawer Dresser.” Found online Mar. 26, 2021 at www.overstock.com. Product reviewed Jan. 24, 2019. Retrieved from URL: <https://tinyurl.com/3uuxs7vu> (Year: 2019).
- “Desert Fields Sonoma 6-Drawer.” Found online Mar. 26, 2021 at www.walmart.com. Product reviewed Feb. 6, 2019. Retrieved from URL: <https://tinyurl.com/bs9jfv9t> (Year: 2019).
- “Walker Edison Furniture AZR6DSLDRCA Dresser Caramel.” Found online Mar. 26, 2021 at www.amazon.com. Product reviewed May 25, 2019. Retrieved from URL: https://www.amazon.com/WE-Furniture-AZR6DSLDRWT-Dresser-Walnut/dp/B07N26VX8S/ref=dp_fod_2?pd_rd_i=B07N27XGSC&th=1 (Year: 2019).
- Bridgeport by Hopewood; Found online on Mar. 29, 2021 at <https://hubbingtons.com/product-category/bridgeport-by-hopewood/>.
- Dovetail Furniture DOV Bridgeport Chest Grey; Found online on Mar. 29, 2021 at <https://www.goodshomefurnishings.com/dovetail-furniture-bridgeport-chest-grey/dov18028-p71/iteminformation.aspx>.
- Renegar 2 Door Accent Cabinet; Wayfair.com; found online Apr. 21, 2021; retrieved May 3, 2021 (online); <https://www.wayfair.com/furniture/pdp/gracie-oaks-renegar-2-door-accent-cabinet-w001524010.html>.
- Albright TV Stand; Wayfair.com; found online Apr. 21, 2021; retrieved May 3, 2021 (online); <https://www.wayfair.com/furniture/pdp/three-posts-albright-tv-stand-w003419693.html?placement=1>.
- West Elm Website “furniture” search; Westelm.com; retrieved Apr. 20, 2020 (online); https://www.westelm.com/shop/furniture/?searchredir=true&cm_sp=HeaderLinks-_-OnsiteSearch-_-MainSite&cm_type=OnsiteSearch&term=furniture&searchredirtype=br.
- Walker Edison Blog Post, How to Style an Entryway to Impress; walkeredisonshop.com; retrieved Apr. 8, 2021 (online); <https://walkeredisonshop.com/blogs/news>.
- Raymour Flanigan Website “Living Rooms” search; raymourflanigan.com; retrieved Nov. 6, 2020 (online); <https://raymourflanigan.com/living-rooms>.
- Crate and Barrel Website “Business Interior Design” search; crateandbarrel.com; retrieved Nov. 6, 2020 (online); https://www.crateandbarrel.com/trade-program/?a=784&campaignid=1061902950&adgroupid=55881134521&targetid=aud-1097585102856:kwd-415008832538&adpos=&creative=251673559670&device=c&matchtype=e&network=g&gclid=Cj0KCQjwytOEBhD5ARIsANnRjVgCRKANmeP5yMquG6rsNP7KAU-nUpzG5NfgZU-PhRCRUgz507ltMaAhvLEALw_wcB.
- Home Depot—Bridgeport Collection in Antique White; homedepot.com; retrieved May 13, 2020 (online); <https://www.homedepot.com/s/bridgeport%2520collection%2520in%2520antique%2520white?NCNI=5>.
- Stuart David—Bridgeport; stuartdavid.com; retrieved May 13, 2020 (online) https://www.stuartdavid.com/search?product_search_api_fulltext=Bridgeport&search_api_views_submit=Submit.
- Ohio Hardwood Furniture—Bridgeport 3 Drawer Armoire; ohiohardwoodfurniture.com; retrieved May 13, 2020 (online); <https://www.ohiohardwoodfurniture.com/products/bridgeport-3-drawer-armoire>.
- Cabinfield—Brideport Series; cabinfield.com; retrieved May 13, 2020 (online); <https://www.cabinfield.com/fine-furniture/bedroom/contemporary-collection/bridgeport-series-6281>.
- Stacy Furniture—Lexington Bedroom Bridgeport Bachelors Chests; stacyfurniture.com; retrieved May 13, 2020 (online); <https://www.stacyfurniture.com/lexington-bridgeport-bachelors-chest/714-624-8/iteminformation.aspx>.

(56)

References Cited

OTHER PUBLICATIONS

Winhome Furniture Collection, found online May 20, 2021 at <https://www.whfurni.com/collections/all>, and retrieved Jun. 3, 2021.
 U.S. Appl. No. 29/698,929, dated Apr. 2, 2021, Final Office Action.
 U.S. Appl. No. 29/698,933, dated Apr. 2, 2021, Office Action.
 U.S. Appl. No. 29/698,934, dated Apr. 2, 2021, Office Action.
 U.S. Appl. No. 29/677,754, dated Jan. 23, 2019, Davis.
 U.S. Appl. No. 29/698,929, dated Jul. 22, 2019, Davis.
 U.S. Appl. No. 29/698,933, dated Jul. 22, 2019, Davis.
 U.S. Appl. No. 29/698,934, dated Jul. 22, 2019, Davis.
 U.S. Appl. No. 29/699,073, dated Jul. 23, 2019, Davis.
 U.S. Appl. No. 29/720,725, dated Jan. 15, 2020, Davis.
 U.S. Appl. No. 29/743,596, dated Jul. 22, 2020, Packer.
 U.S. Appl. No. 29/743,597, dated Jul. 22, 2020, Packer.
 Pinterest; 5050 Lacquered bedside table by Molteni & C.; <https://www.pinterest.com/pin/33636328453042318/>; Retrieved on Oct. 15, 2018.
 Archiproducts; 5050 Lacquered bedside table by Molteni & C.; https://www.archiproducts.com/en/products/molteni-c/wooden-bedside-table-with-drawers-5050-lacquered-bedside-table_246952; Retrieved on Oct. 15, 2018.
 Pinterest; Cabinet Furniture; Furniture Design collezione 2011 Ottoman Box by Aksu <https://www.pinterest.com/pin/33636328452974953/>; Retrieved on Nov. 25, 2019.
 Cole; Container; <http://coleitalia.com/product/ottoman-box/>; Retrieved on Nov. 25, 2019.
 U.S. Appl. No. 29/699,073, dated Sep. 16, 2020, Notice of Allowance.
 Modern Storage Side Table by Home Accent Furnishings, first available: Jun. 9, 2020. Amazon.com [online], [site visited Jan. 4, 2022], Internet URL: <https://www.amazon.com/25-Modern-Storage-Side-Table/dp/B089WJ7H3K#customerReviews> (Year: 2020).
 Elm 2—Drawer Storage Side Table by Forest Gate, first available: Jun. 24, 2021. [Bedbathandbeyond.com](http://bedbathandbeyond.com) [online], [site visited Jan. 4, 2022], Internet URL: <https://www.bedbathandbeyond.com/store/product/forest-gate-elm-2-drawer-storage-side-table/5425720?strategy=recentlyViewed> (Year: 2021).
 Dark Walnut Modern Storage Side Table by Walker Edison, first available: Aug. 16, 2021. [Bellacor.com](http://bellacor.com) [online], [site visited Jan. 4, 2022], Internet URL: <https://www.bellacor.com/productdetail/walker-edison-furniture-co-br25linnsdw-25-inch-dark-walnut-modern-storage-side-table-2232284.html> (Year: 2021).
 Drawer Nightstand by Mercury Row, first available: Dec. 10, 2019. [Wayfair.com](http://wayfair.com) [online], [site visited Jan. 5, 2022], Internet URL: <https://www.wayfair.com/furniture/pdp/mercury-row-annie-2-drawer-nightstand-w004497852.html?piid=718200567> (Year:2019).
 U.S. Appl. No. 29/801,171, filed Jul. 27, 2021, Duhadway.
 U.S. Appl. No. 29/824,076, filed Jan. 21, 2022, Naylor.
 U.S. Appl. No. 29/677,754, dated Oct. 20, 2021, Notice of Allowance.
 U.S. Appl. No. 29/743,597, dated Nov. 12, 2021, Notice of Allowance.

U.S. Appl. No. 29/720,725, dated Jan. 28, 2022, Office Action.
 U.S. Appl. No. 29/825,533, filed Feb. 2, 2022, Naylor.
 U.S. Appl. No. 29/825,538, filed Feb. 2, 2022, Naylor.
 U.S. Appl. No. 29/825,543, filed Feb. 2, 2022, Naylor.
 U.S. Appl. No. 29/825,972, filed Feb. 8, 2022, Naylor.
 U.S. Appl. No. 29/830,013, filed Mar. 9, 2022, Naylor.
 U.S. Appl. No. 29/792,313, filed Mar. 21, 2022, Naylor.
 Walnut Kylie 3 Drawer Chest by Kirklands, first available: Aug. 8, 2019. [Kirklands.com](http://kirklands.com) [online], [site visited Apr. 20, 2022], Internet URL: <https://www.kirklands.com/product/Furniture/Bedroom-Furniture/Dressers-Chests/Walnut-Kylie-3-Drawer-Chest/pc/2285/c/3059/sc/2419/227303.uts> (Year: 2019).
 Basalt 27.19" Tall 2 Drawer Nighstand by Laurel Foundry Modern Farmhouse, first available: Dec. 7, 2020. [Wayfair.com](http://wayfair.com) [online], [site visited Apr. 20, 2022], Internet URL: <https://www.wayfair.com/furniture/pdp/basalt-2-drawer-nightstand-in-natural-oakdark-brown-w004030619.html> (Year: 2020).
 Ormond 23.98" Tall 2 Drawer Nightstamd by George Oliver, first available: May 5, 2020. [Wayfair.com](http://wayfair.com) [online], [site visited Apr. 20, 2022], Internet URL: <https://www.wayfair.com/furniture/pdp/george-oliver-ormond-2-drawer-solid-wood-nightstand-w005485830.html?piid=186751938#v2se7zvwgoa-6> (Year: 2020).
 3 Drawer Walnut Stain Chest by StyleCraft, first available: Jul. 28, 2019. [Overstock.com](http://overstock.com) [online], [site visited Apr. 19, 2022], Internet URL: <https://www.overstock.com/Home-Garden/3-drawer-Walnut-Stain-Chest/20740974/product.html> (Year: 2019).
 Carpenter 3 Chest by Mercury Row, first available: Aug. 9, 2020. [Overstock.com](http://overstock.com) [online], [site visited Apr. 19, 2022], Internet URL: <https://www.overstock.com/Home-Garden/3-drawer-Walnut-Stain-Chest/20740974/product.html> (Year: 2020).
 Milo Mid Century Modern Chest by Prepac Store, first available: May 10, 2019. [Amazon.com](http://amazon.com) [online], [site visited Apr. 19, 2022], Internet URL: https://www.amazon.com/Prepac-Century-Modern-Drawer-Chest/dp/B07RF9YNLC/ref=sr_1_267?th=1 (Year: 2019).
 BDU52SV6DGW by Delacora, first available: Sep. 27, 2019. [Amazon.com](http://amazon.com) [online], [site visited Apr. 19, 2022], Internet URL: <https://www.amazon.com/Delacora-BDU52SV6DGW-WE-BDU52SV6D-Farmhouse-Sideboard/dp/B0888VKNGL?th=1> (Year: 2019).
 Modern 4 Drawer Dresser by Home Accent Furnishings Store first available: Nov. 7, 2020. [Amazon.com](http://amazon.com) [online], [site visited Apr. 19, 2022], Internet URL: https://www.amazon.com/Modern-4-Drawer-Dresser-Caramel/dp/B08B43KX27/ref=sr_1_124 (Year: 2020).
 Modern Wood 6 Drawer Buffet by Home Accent Furnishings Store, first available: Mar. 30, 2020. [Amazon.com](http://amazon.com) [online], [site visited Apr. 19, 2022], Internet URL: <https://www.amazon.com/Modern-Wood-6-Drawer-Buffet-Walnut/dp/B086MLJ3XH> (Year: 2020).
 Milo Mid Century Modern 2-Drawer Black Nighstand; <https://www.homedepot.com/p/Prepac-Milo-Mid-Century-Modern-2-Drawer-Black-Nightstand-BDNR-1402-1/310031773>; retrieved May 20, 2022.
 U.S. Appl. No. 29/767,921, filed May 6, 2022, Office Action.
 U.S. Appl. No. 29/767,926, filed May 6, 2022, Office Action.

* cited by examiner

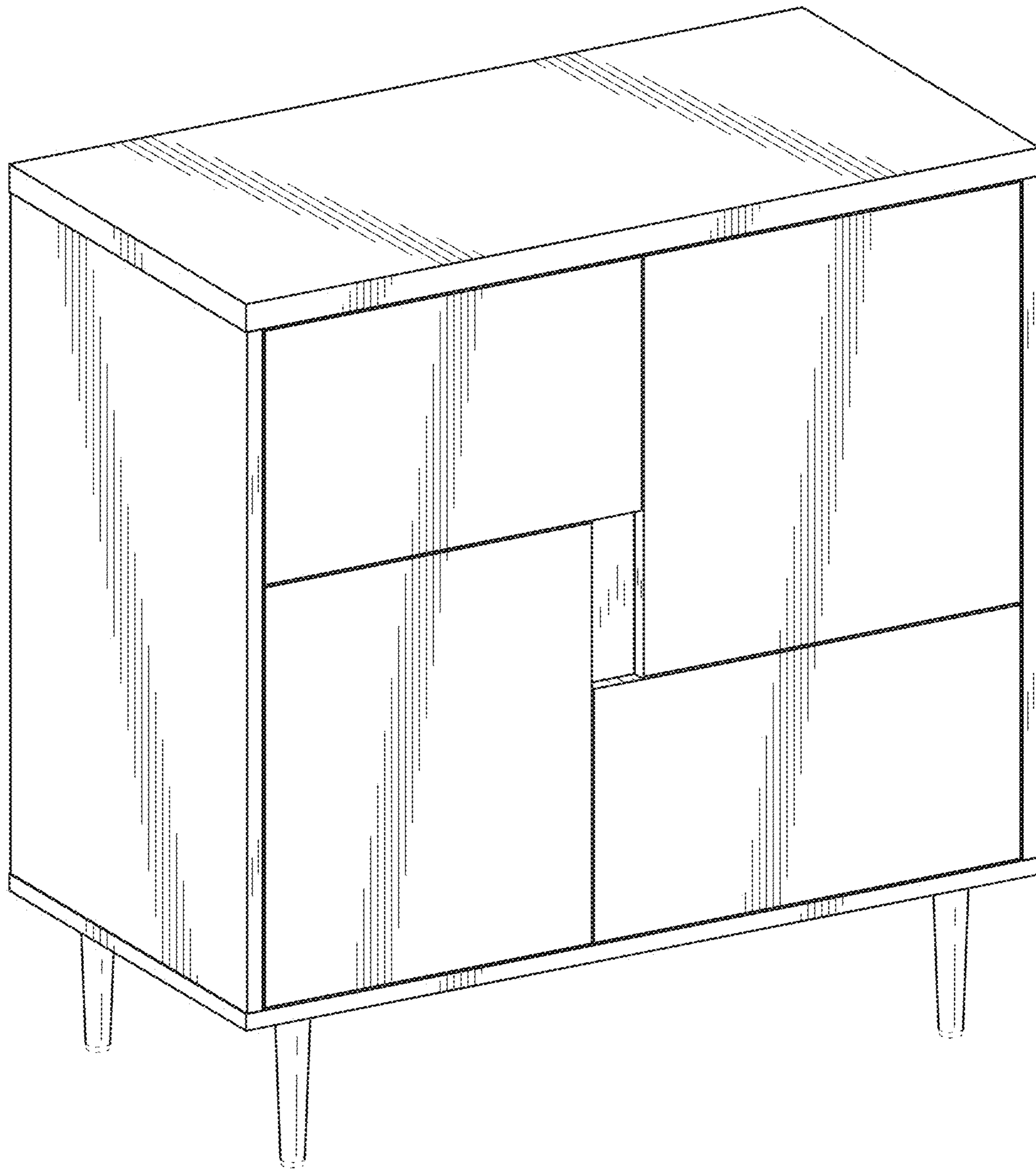


FIG. 1

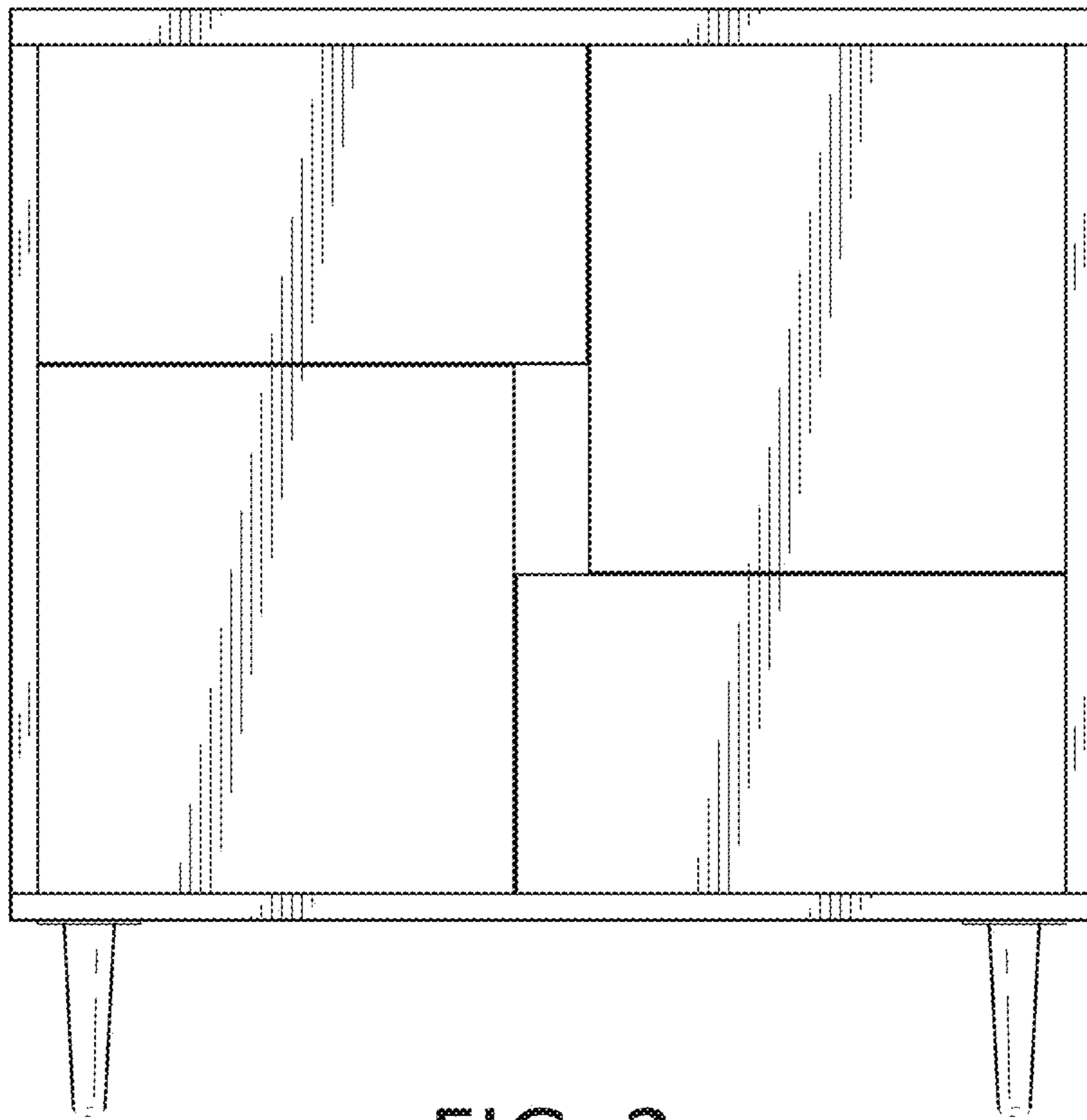


FIG. 2

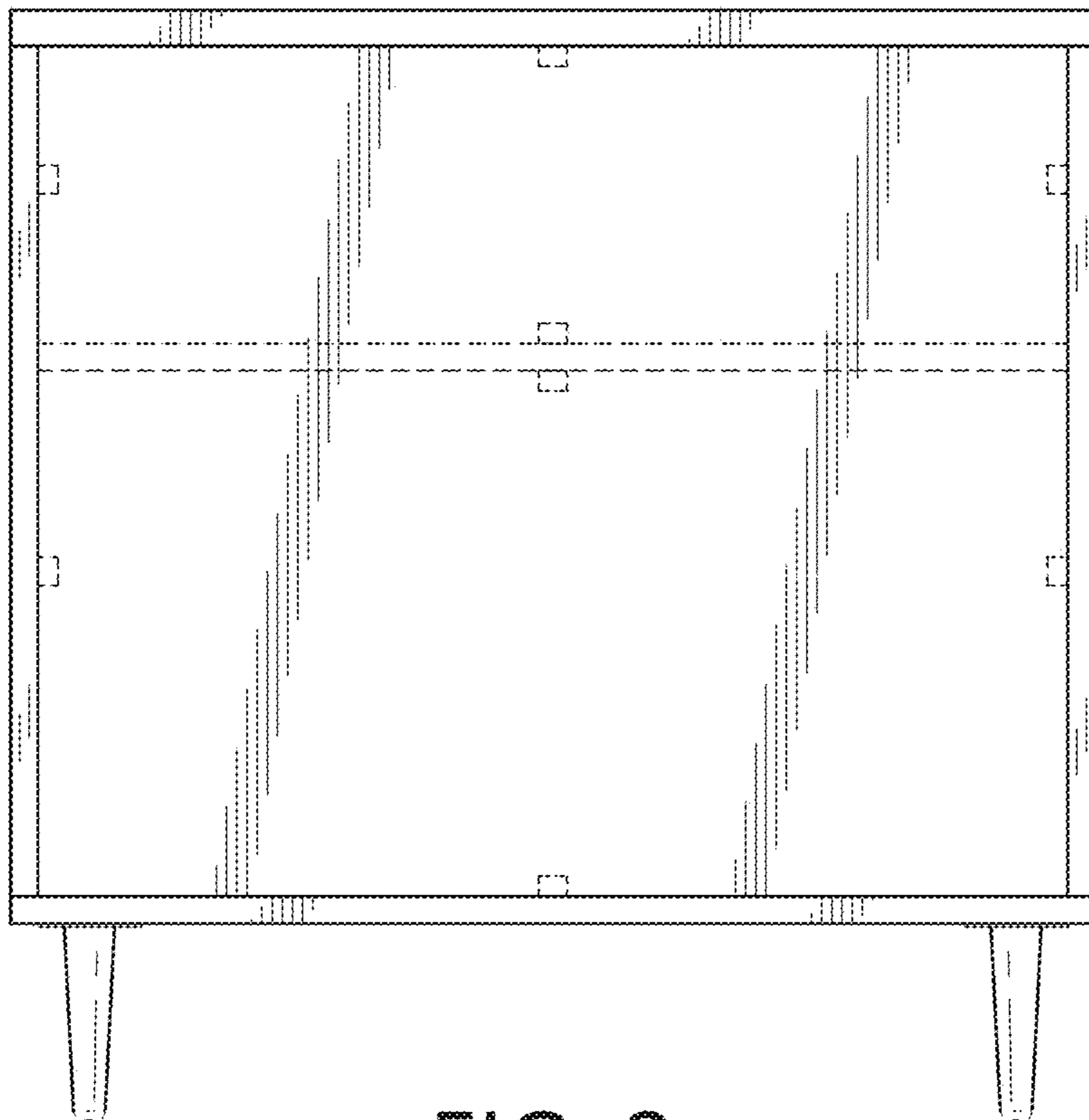


FIG. 3

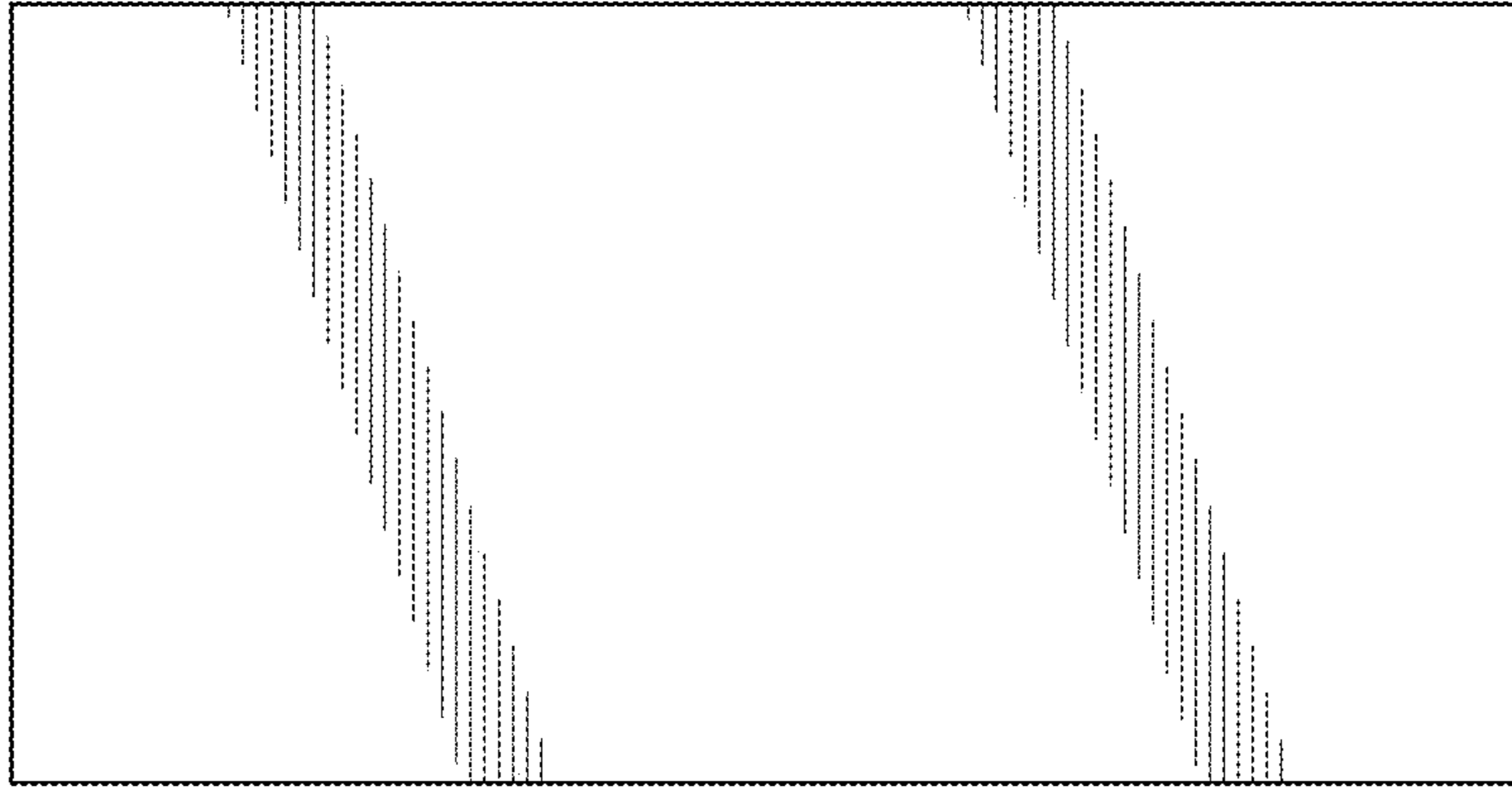


FIG. 4

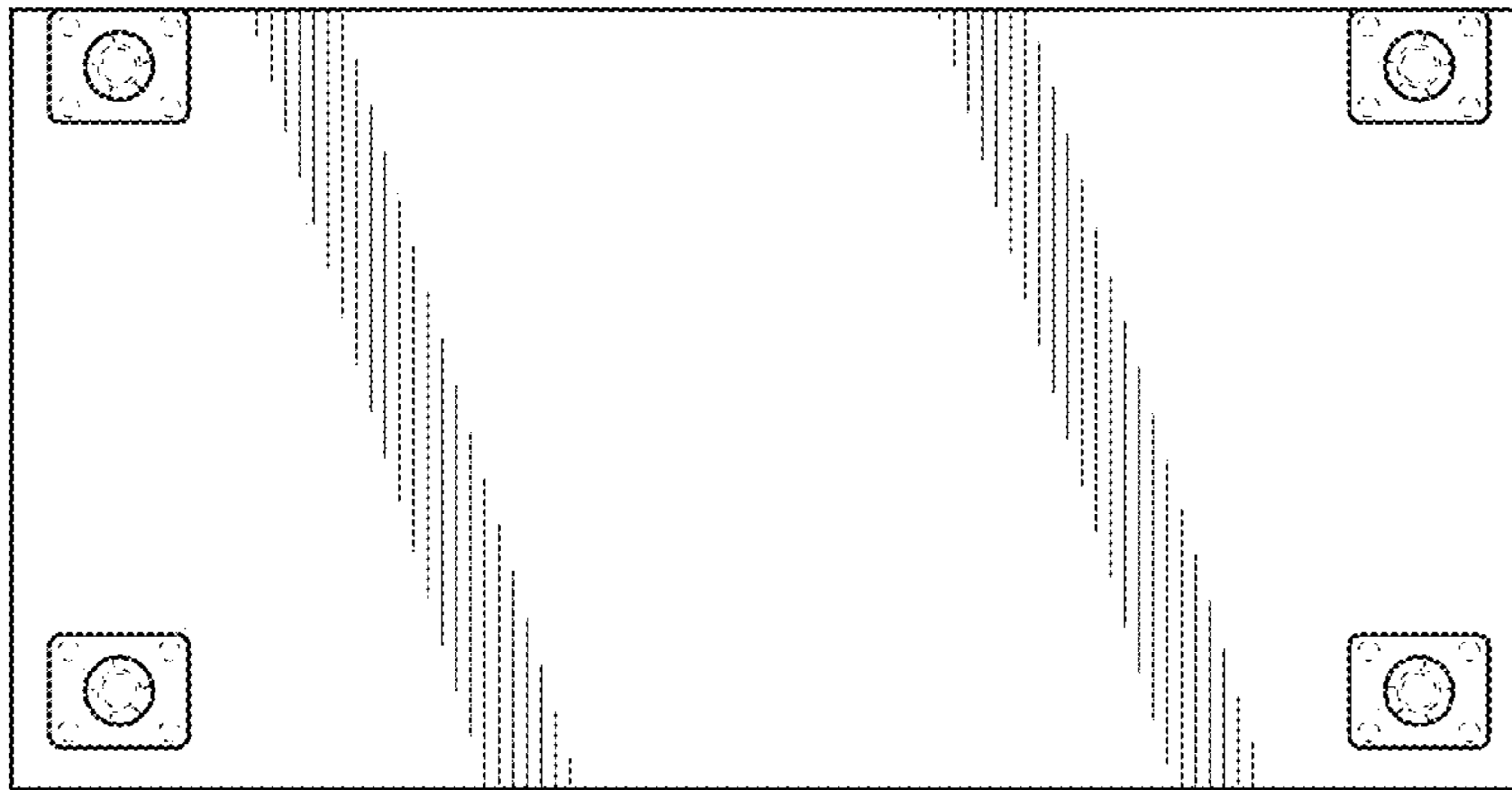


FIG. 5

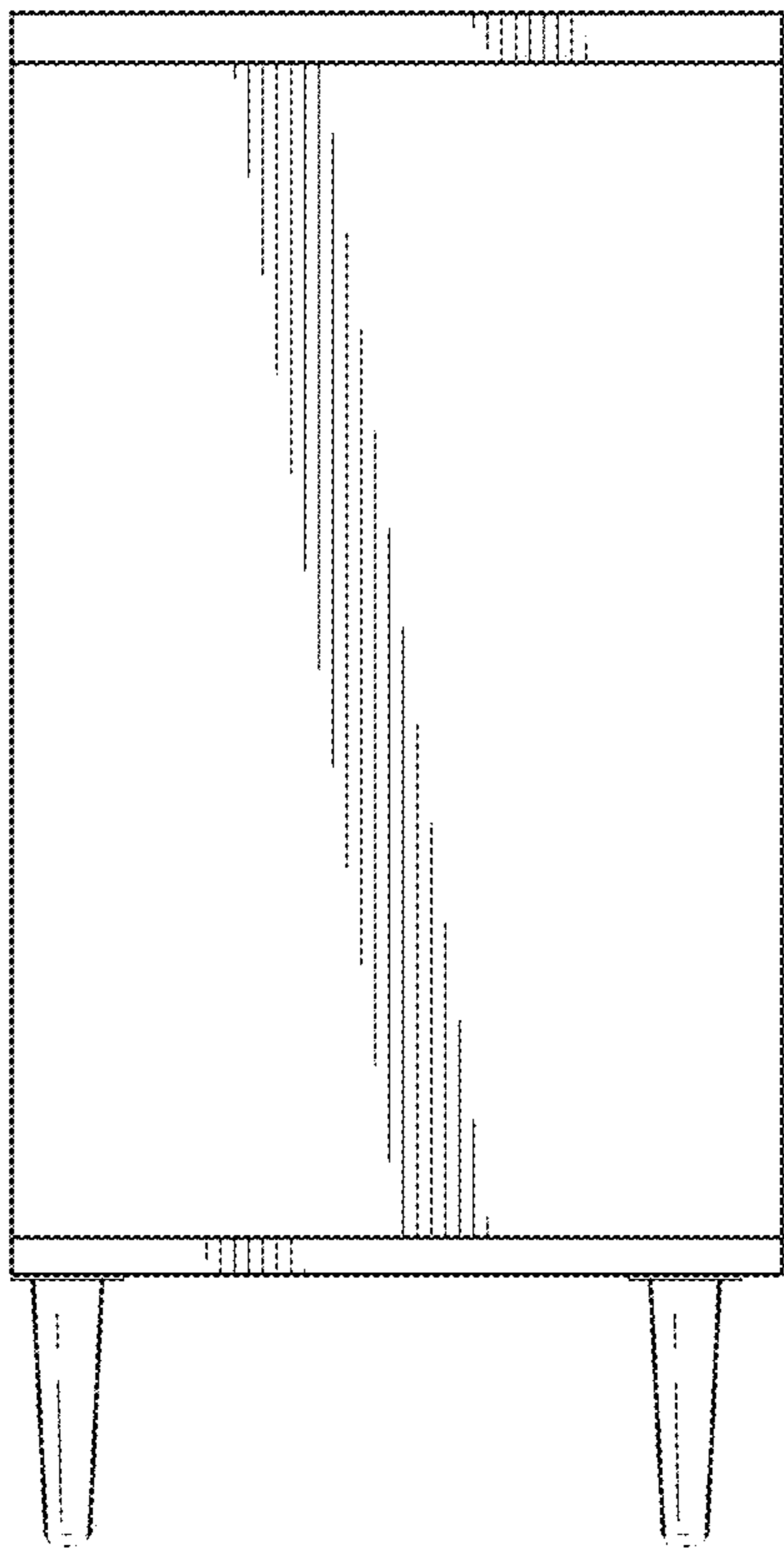


FIG. 6

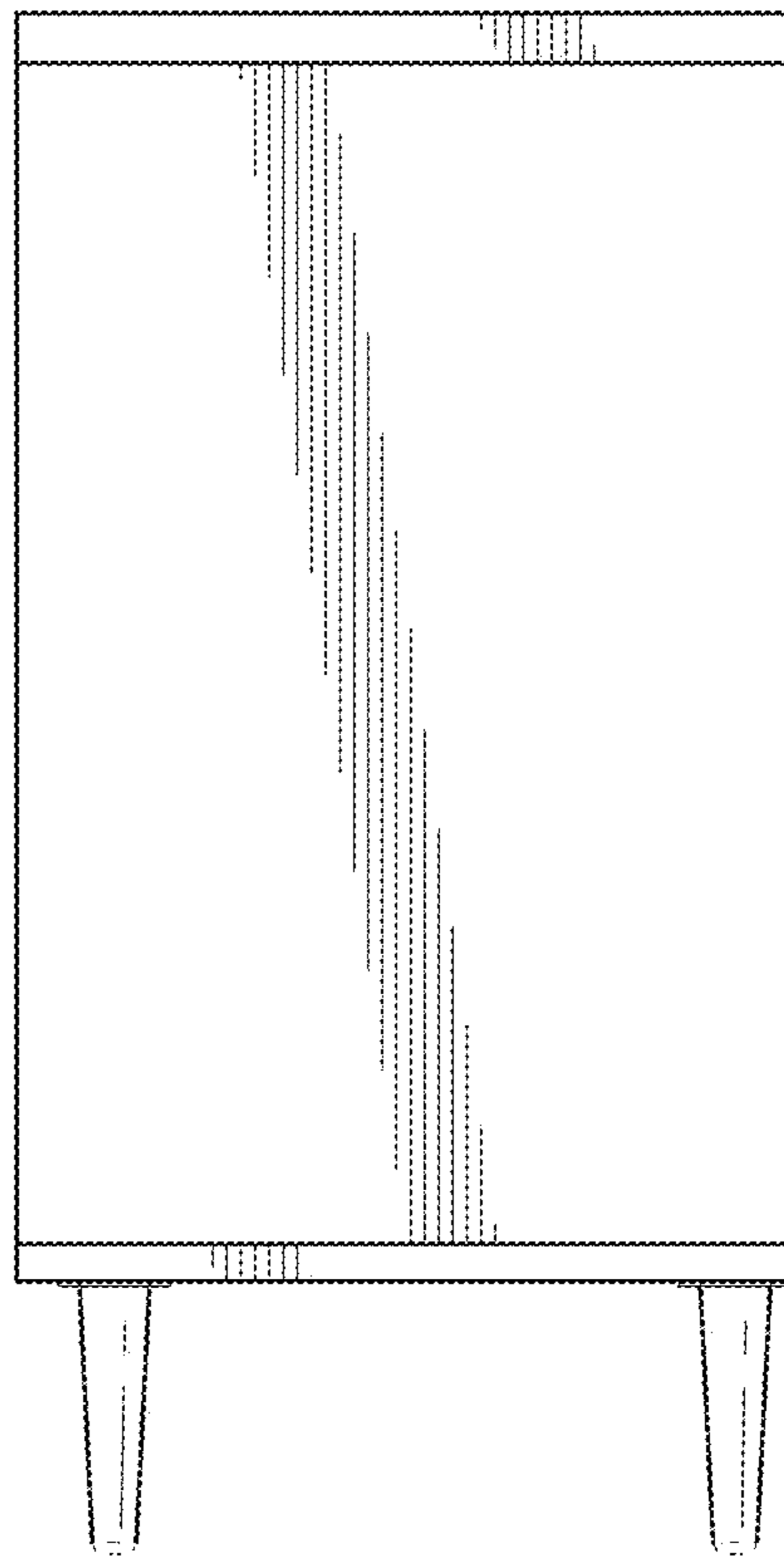


FIG. 7