



US00D958567S

(12) **United States Design Patent**  
**Grundy et al.**

(10) **Patent No.:** **US D958,567 S**

(45) **Date of Patent:** **\*\* Jul. 26, 2022**

(54) **DISPLAY UNIT**

D606,635 S \* 12/2009 Bock ..... D23/303  
D612,467 S \* 3/2010 Bock ..... D23/303  
D615,319 S \* 5/2010 Tuskiewicz ..... D6/657

(Continued)

(71) Applicant: **Conopco, Inc.**, Englewood Cliffs, NJ  
(US)

FOREIGN PATENT DOCUMENTS

(72) Inventors: **Simon Neil Grundy**, Guildford (GB);  
**Royston John Horne**, Reigate (GB);  
**Varkey Bert Jacob**, Bedford (GB);  
**Jeffrey Alan Reeve**, Rushden (GB)

FR 085353-002 6/2009

(73) Assignee: **Conopco, Inc.**, Englewood Cliffs, NJ  
(US)

OTHER PUBLICATIONS

(\*\*) Term: **15 Years**

Co-pending U.S. Appl. No. 29/731,995, filed Apr. 20, 2020, entitled  
Display Unit.

(21) Appl. No.: **29/731,997**

*Primary Examiner* — Kevin K Rudzinski

*Assistant Examiner* — Paul D Bohannon

(22) Filed: **Apr. 20, 2020**

(74) *Attorney, Agent, or Firm* — Gerard J. McGowan, Jr.

(30) **Foreign Application Priority Data**

(57) **CLAIM**

The ornamental design for display unit, as shown and  
described.

Oct. 25, 2019 (EM) ..... 007116660-0001

Oct. 25, 2019 (EM) ..... 007116660-0002

**DESCRIPTION**

(51) **LOC (13) Cl.** ..... **06-04**

(52) **U.S. Cl.**  
USPC ..... **D6/657**

(58) **Field of Classification Search**

USPC ..... D6/560, 642, 654.1, 657, 661, 662, 664,  
D6/672, 673, 675, 675.1, 675.3, 699;  
D34/20; D30/101; D23/303

CPC ..... B65D 5/545; B65D 5/26; B65D 5/0015;  
B65D 5/0045; B65D 1/34; B65D 21/00;  
B65D 81/3813; G09F 13/0413; A47F  
5/103; A47F 5/105; A47F 7/146; A47F  
2003/046; A47B 81/061

See application file for complete search history.

FIG. 1 is a perspective view of a first embodiment of our  
new design;

FIG. 2 is a front elevation view thereof;

FIG. 3 is a rear elevation view thereof;

FIG. 4 is a left side elevation view thereof;

FIG. 5 is a right side elevation view thereof;

FIG. 6 is a top plan view thereof;

FIG. 7 is a bottom plan view thereof;

FIG. 8 is a perspective view of another embodiment of our  
new design;

FIG. 9 is a front elevation view thereof;

FIG. 10 is a rear elevation view thereof;

FIG. 11 is a left side elevation view thereof;

FIG. 12 is a right side elevation view thereof;

FIG. 13 is a top plan view thereof; and,

FIG. 14 is a bottom plan view thereof.

The broken lines shown in the drawings are for the purpose  
of illustrating portions of the article and form no part of the  
claimed design.

(56) **References Cited**

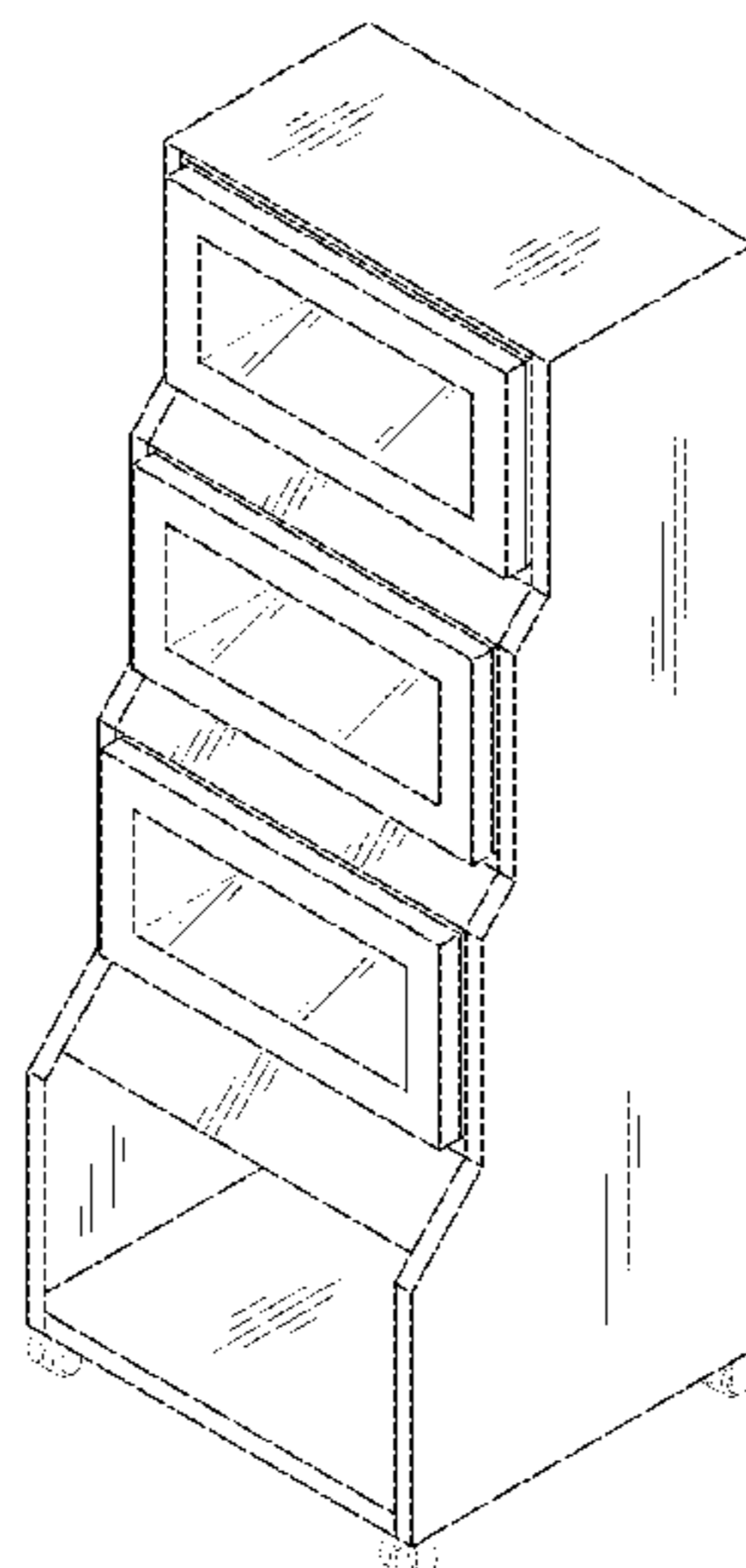
U.S. PATENT DOCUMENTS

D34,926 S \* 8/1901 Floyd ..... D20/4

D384,221 S \* 9/1997 Roeder ..... D6/675

D606,634 S \* 12/2009 Bock ..... D23/303

**1 Claim, 10 Drawing Sheets**



(56)

**References Cited**

U.S. PATENT DOCUMENTS

D927,229 S \* 8/2021 Stravitz ..... D6/668.2  
D927,899 S \* 8/2021 Stravitz ..... D6/670

\* cited by examiner

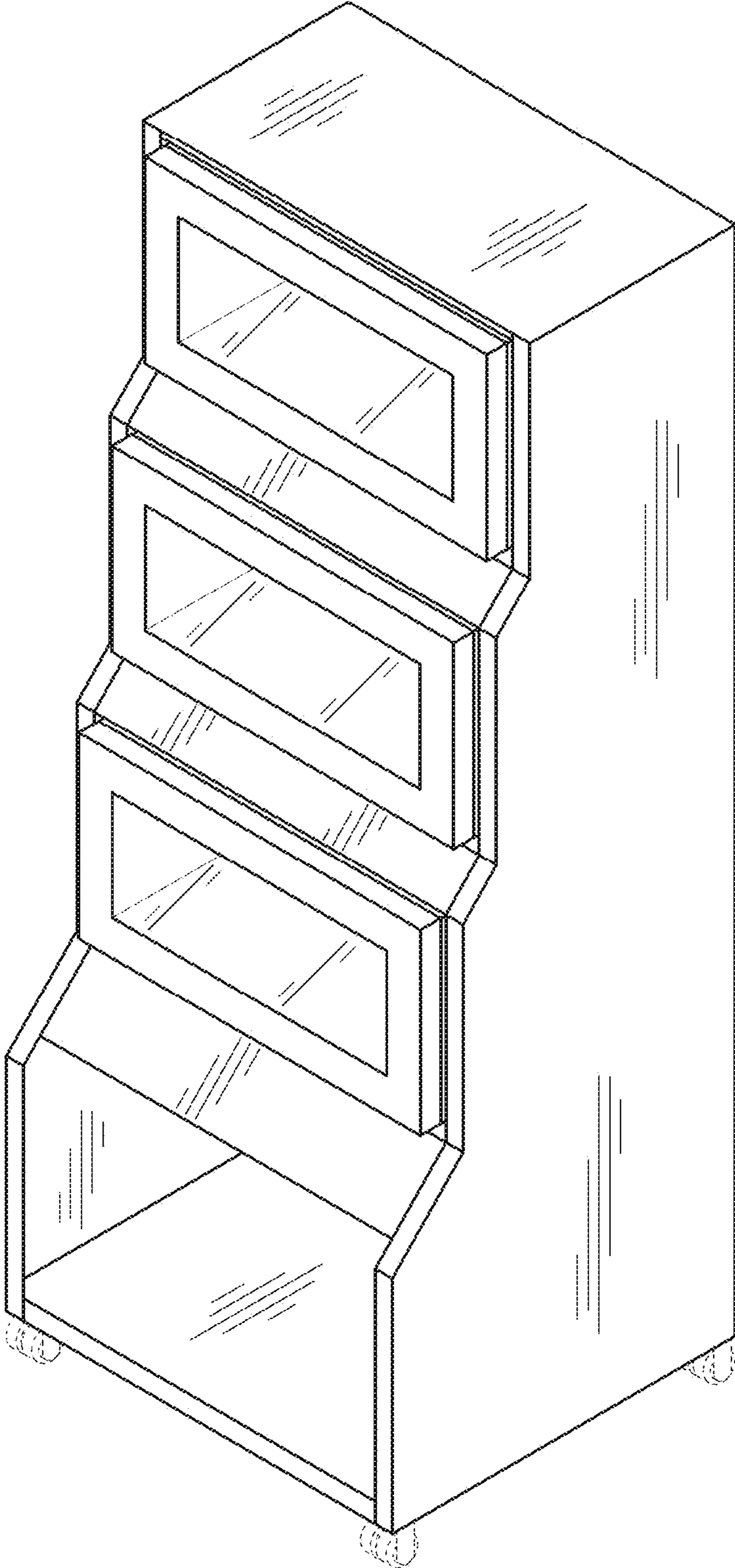


Fig. 1

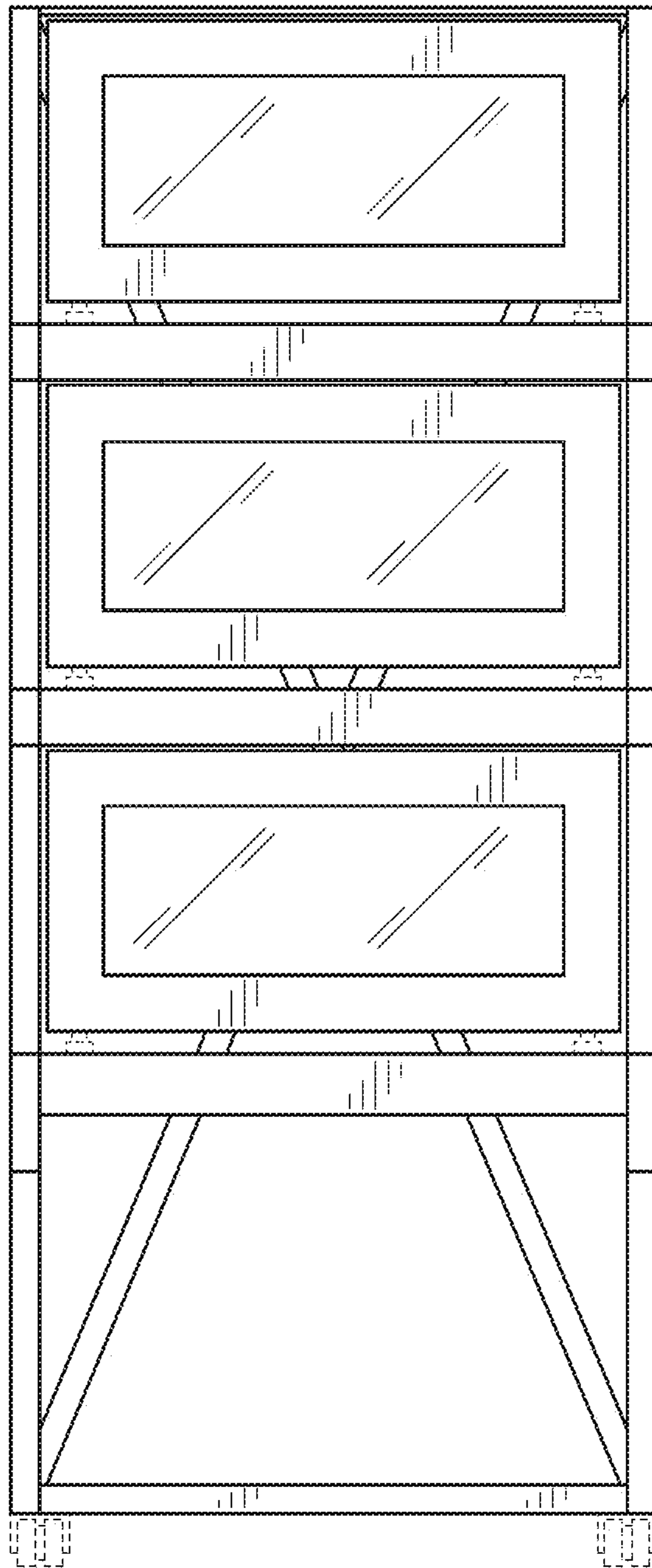


Fig. 2

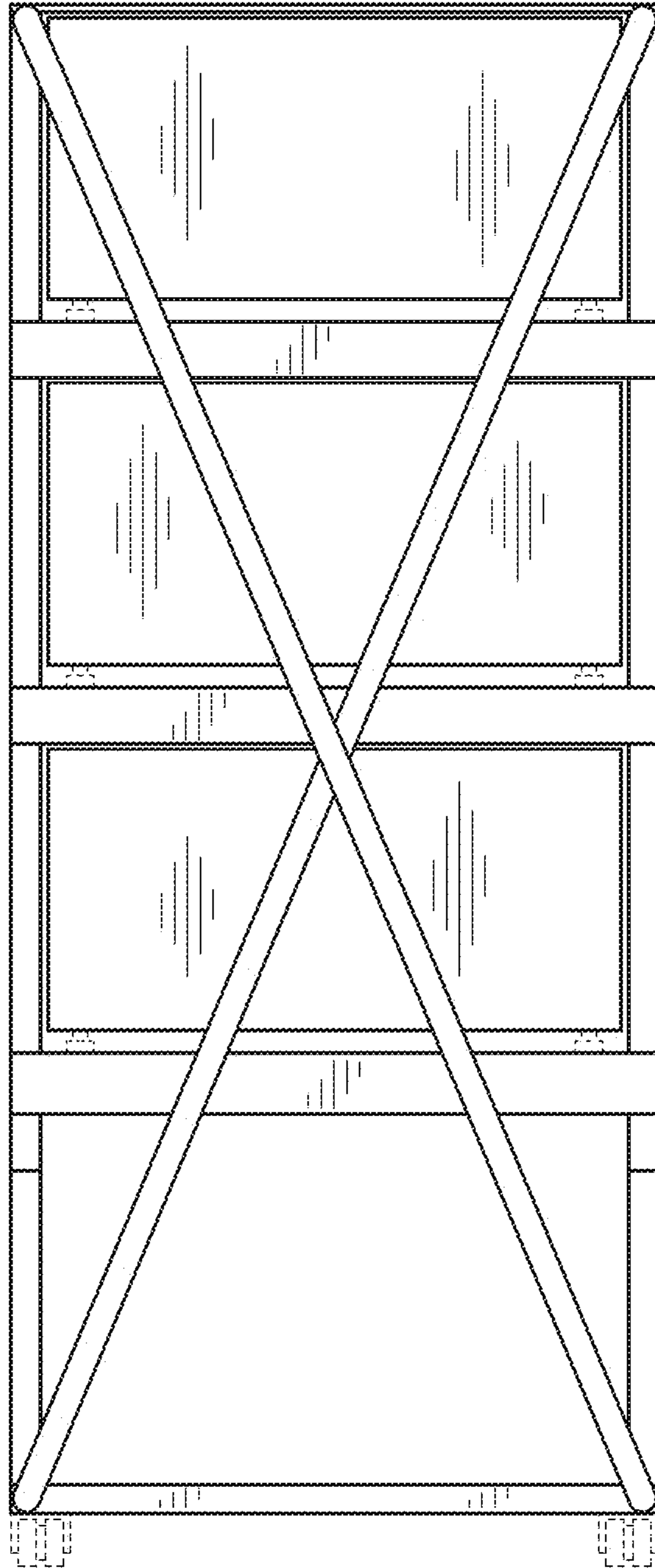


Fig. 3

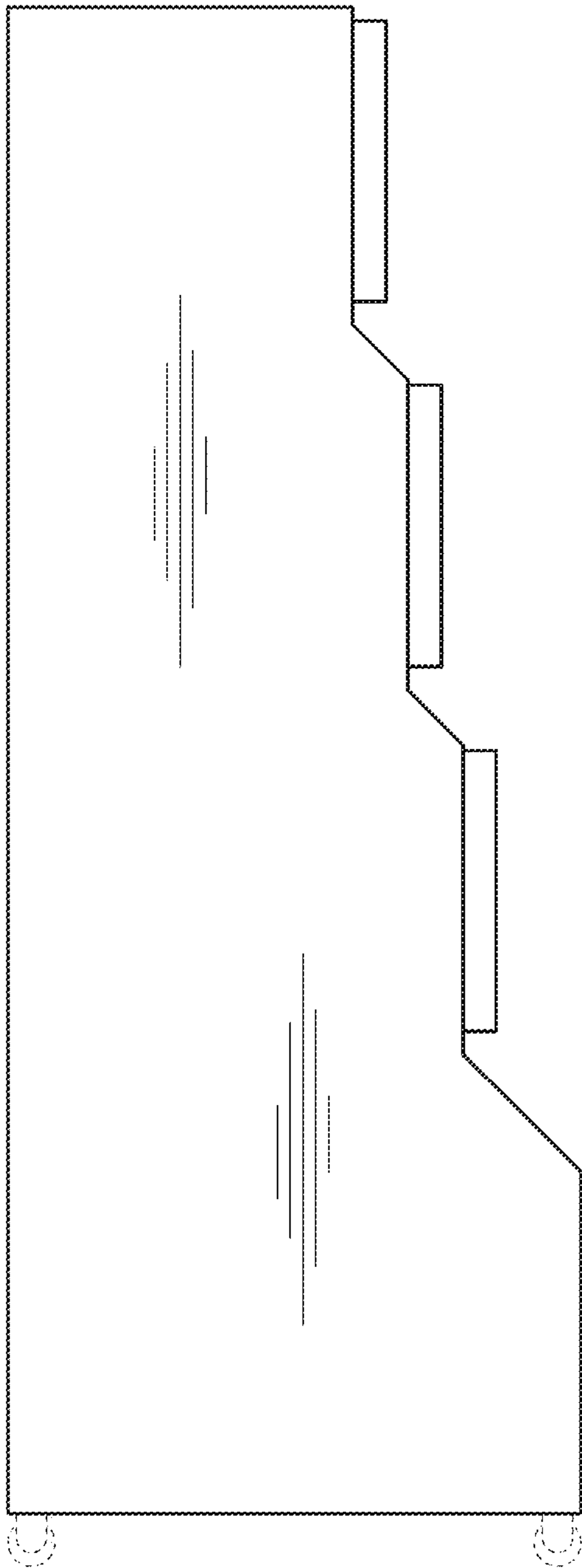


Fig. 4

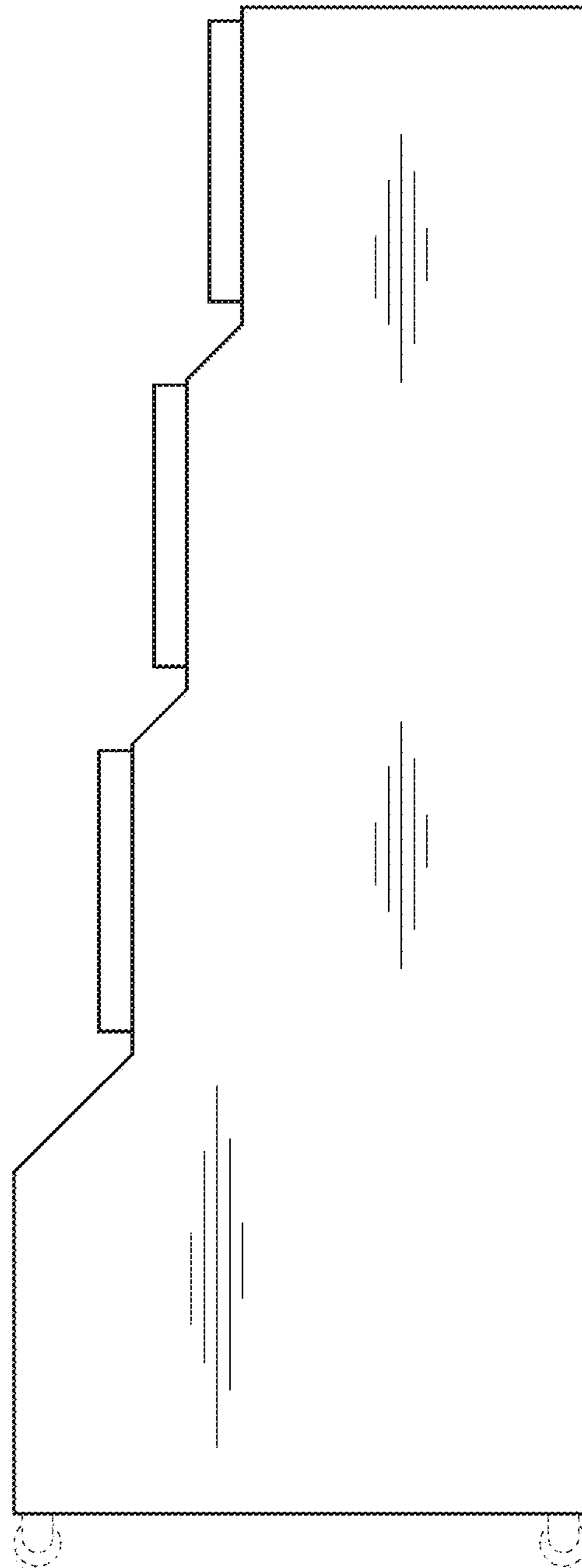


Fig. 5

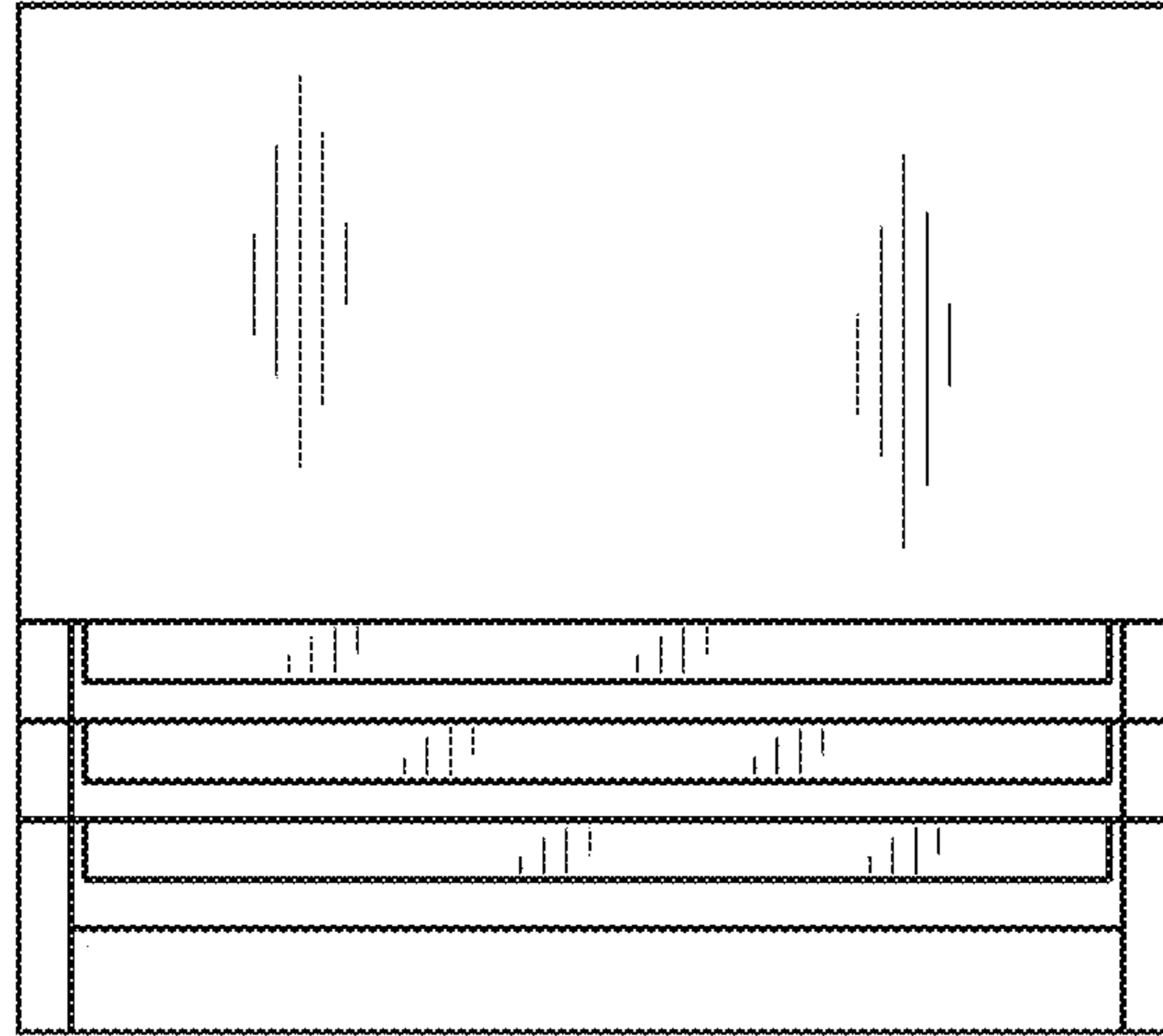


Fig. 6

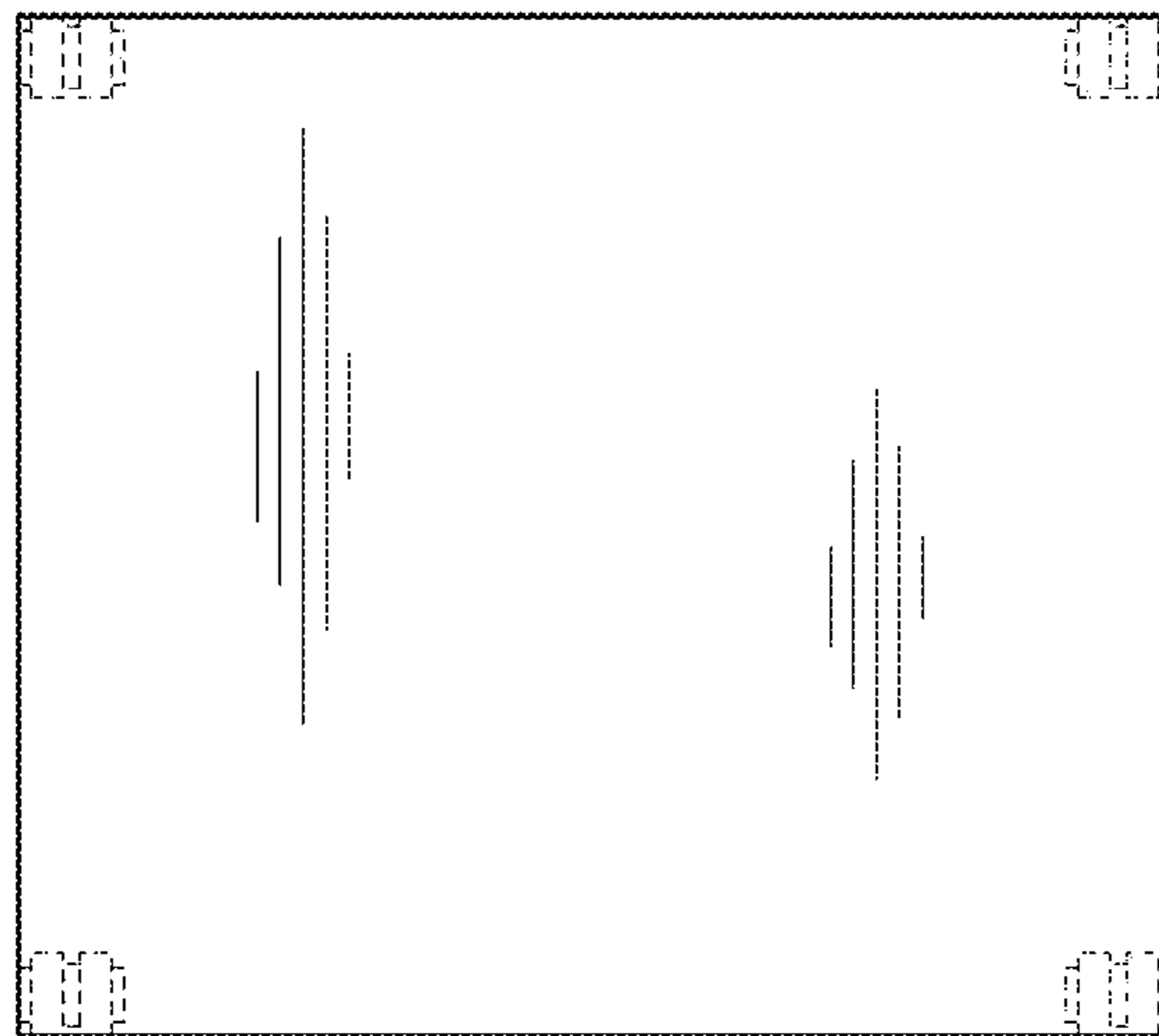


Fig. 7

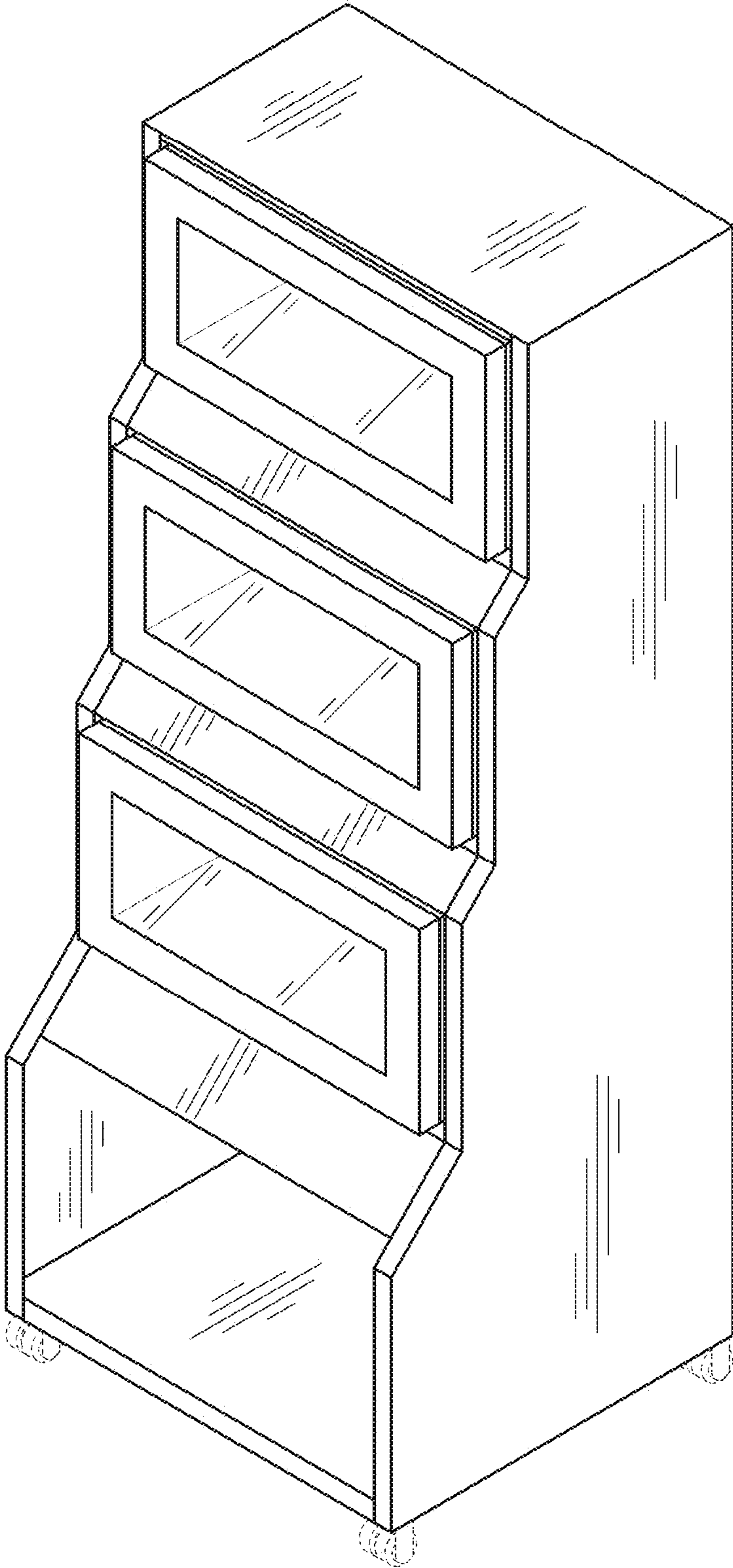


Fig. 8



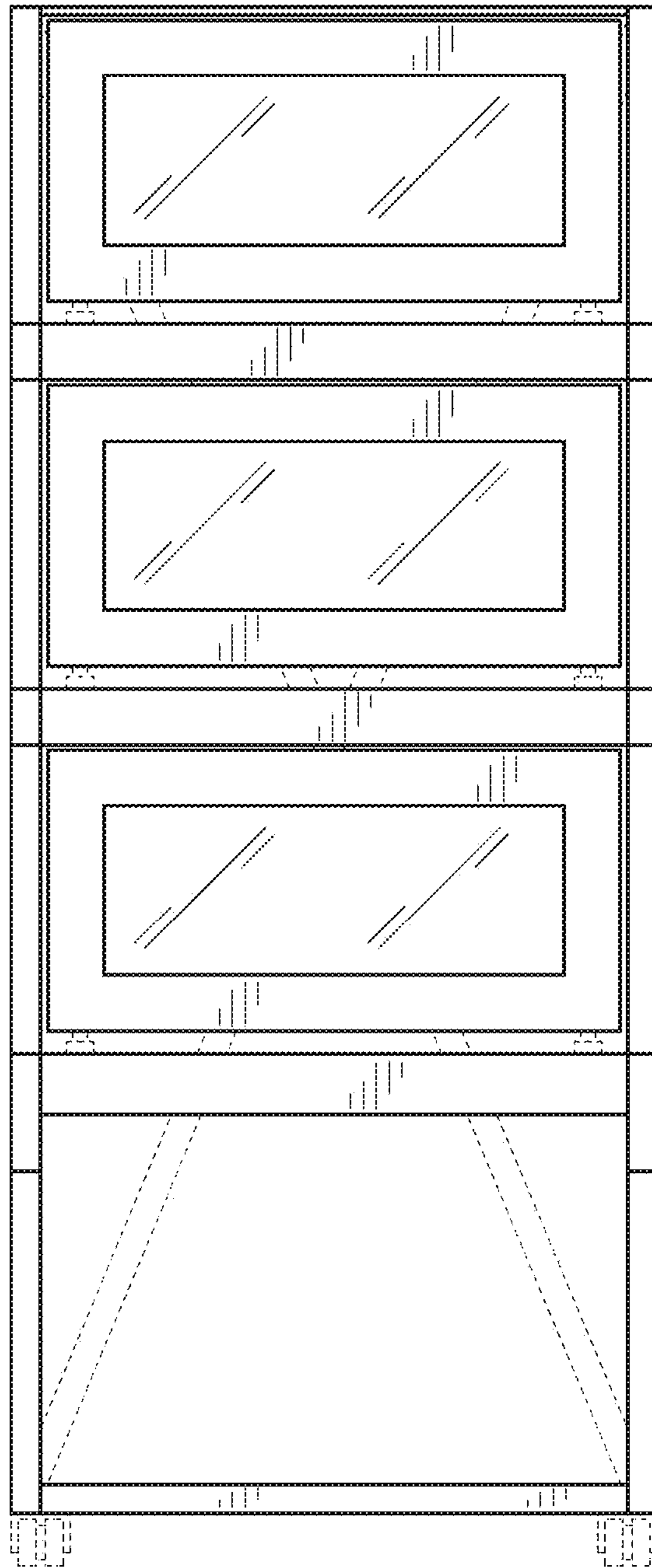


Fig. 9

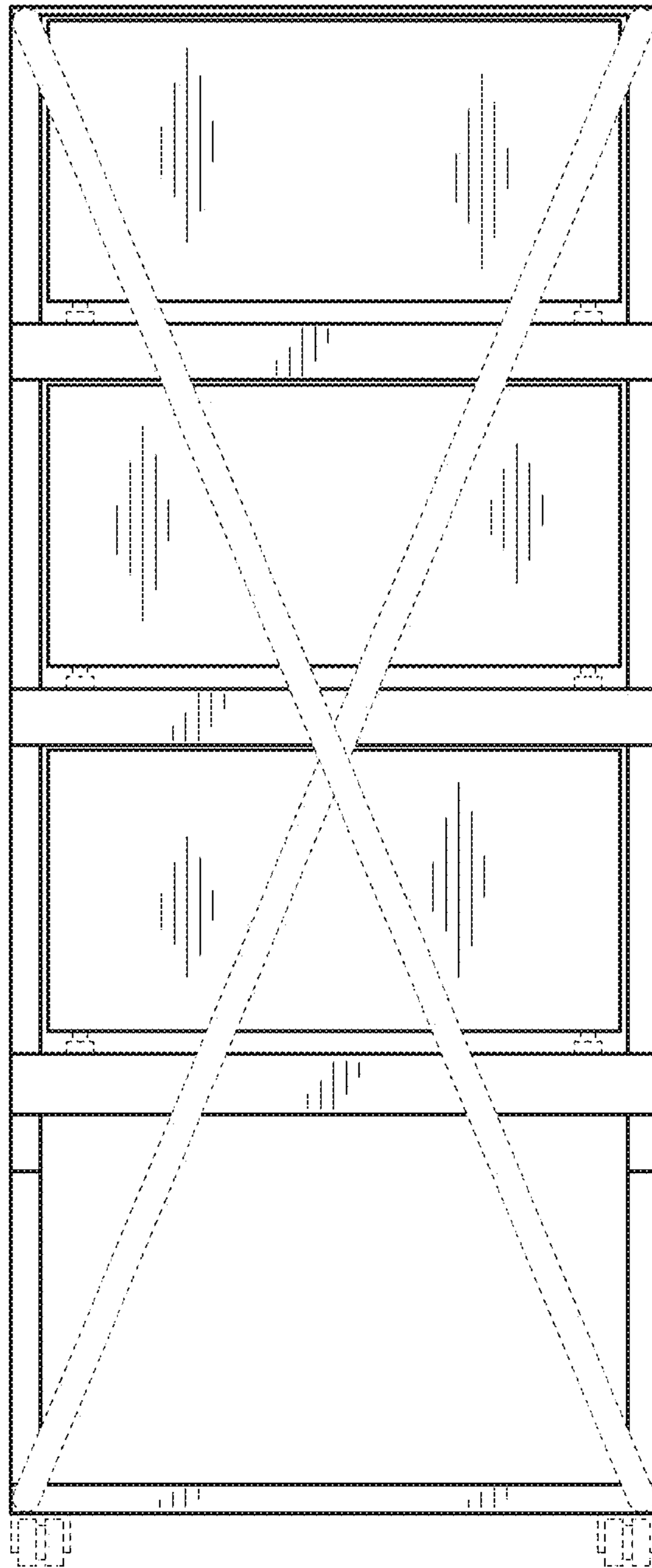


Fig. 10

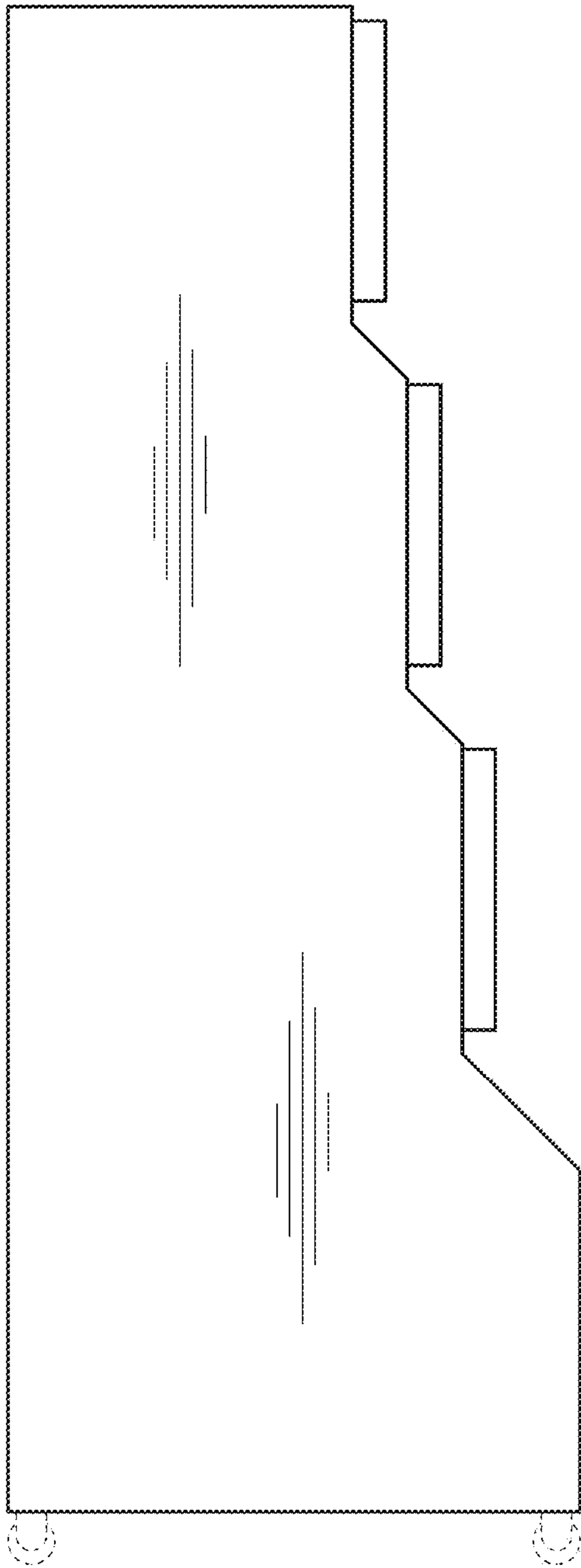


Fig. 11

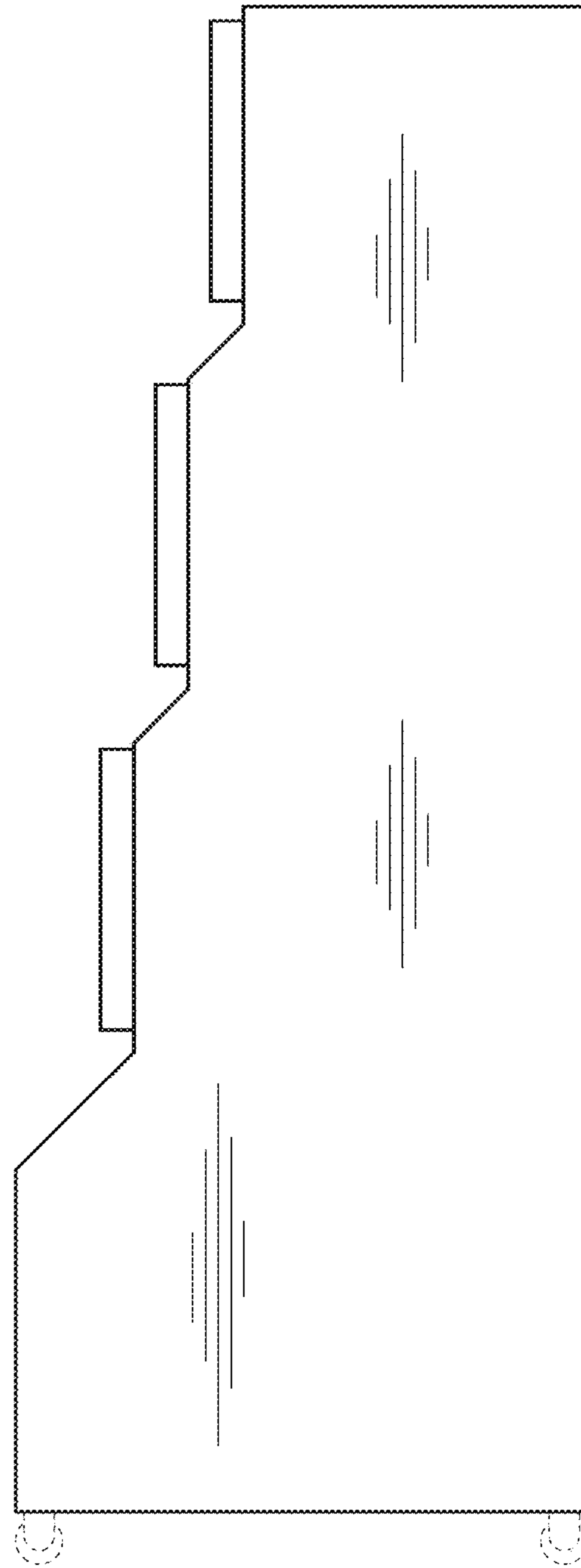


Fig. 12

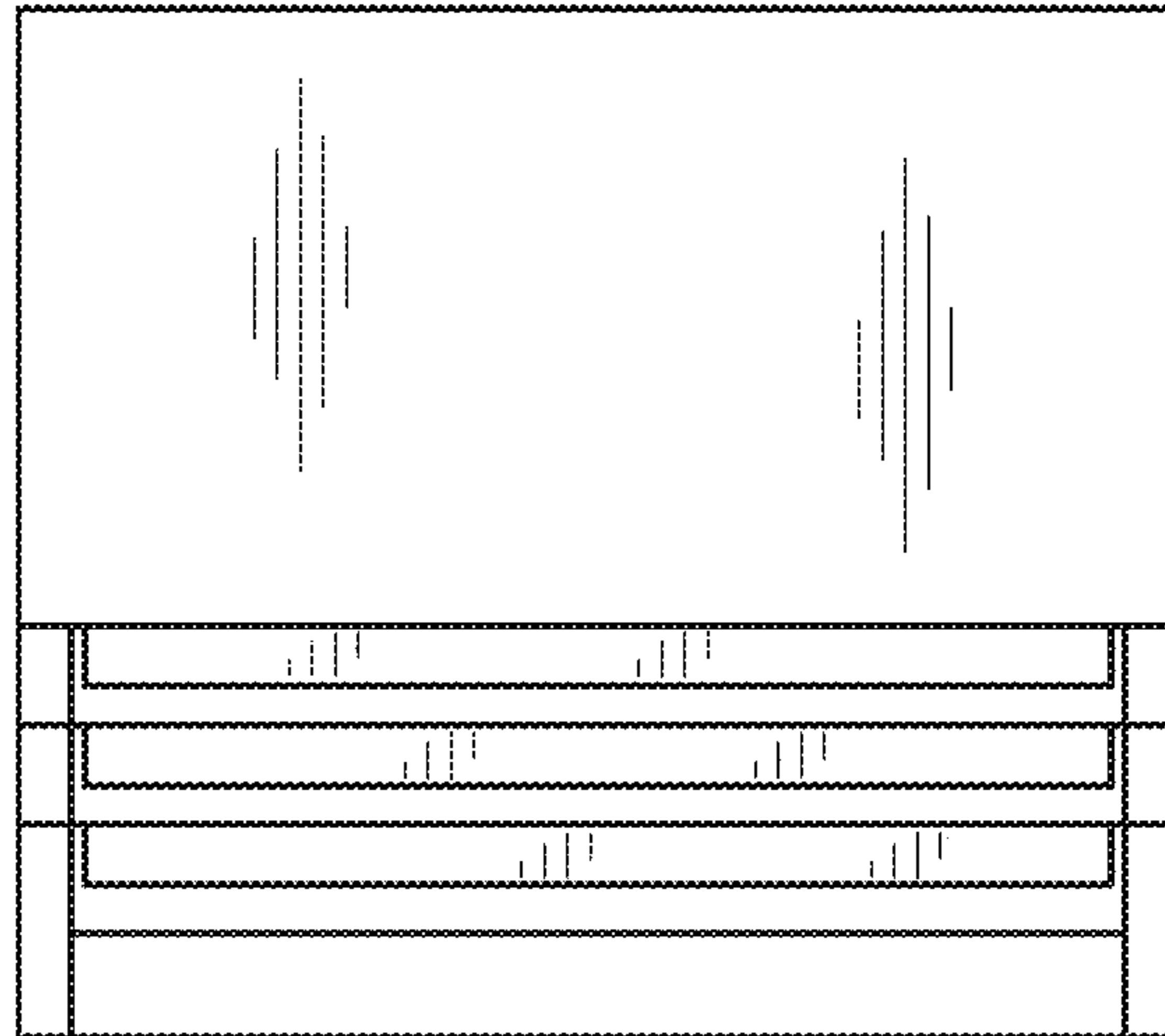


Fig. 13

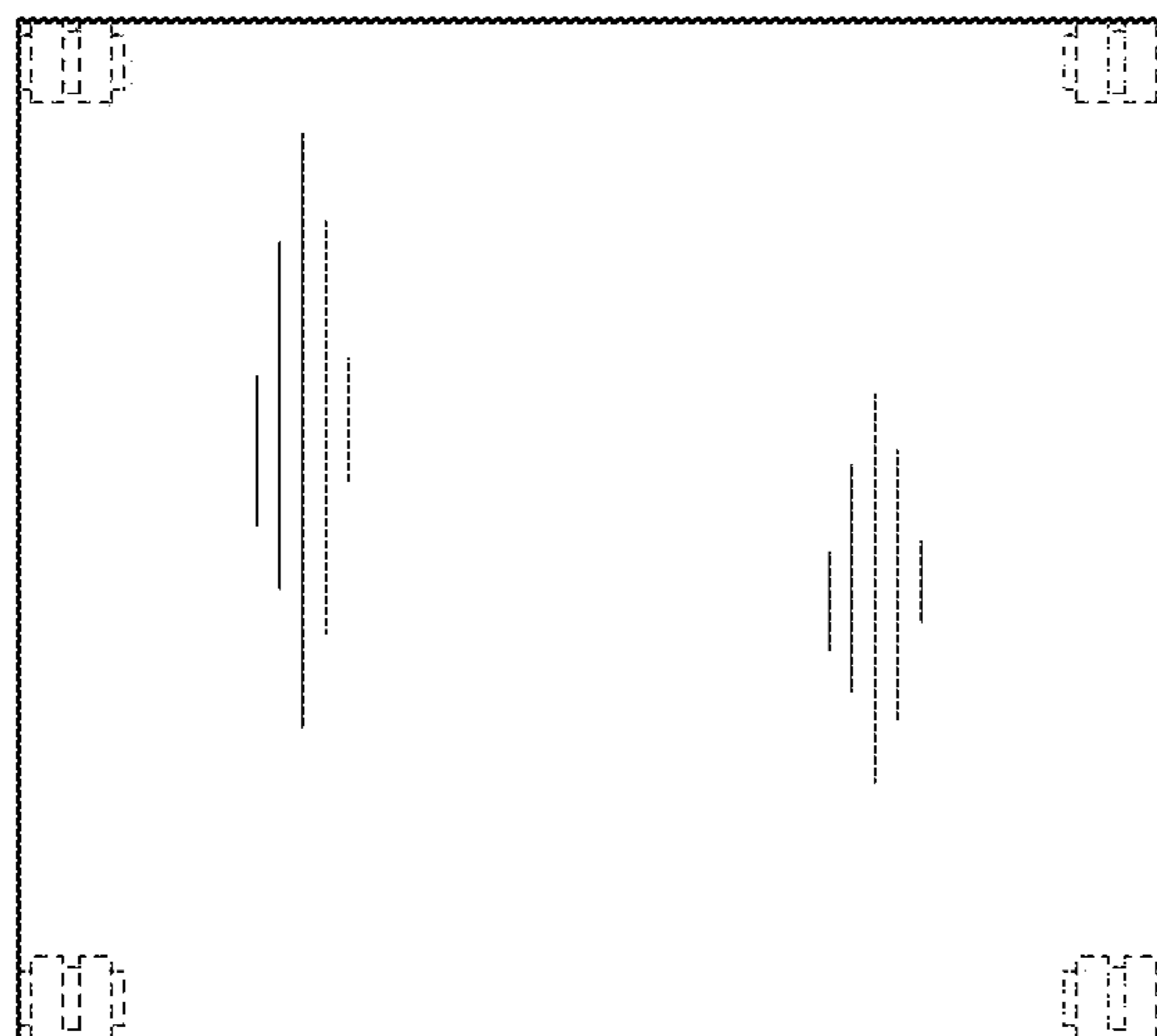


Fig. 14