



US00D958562S

(12) **United States Design Patent**  
**Ye et al.**

(10) **Patent No.:** **US D958,562 S**  
(45) **Date of Patent:** **\*\* Jul. 26, 2022**

(54) <b>SHOWER SHELF</b>	6,253,399 B1 * 7/2001 Wagner ..... A47B 23/025 5/503.1
(71) Applicant: <b>XIAMEN LOTA INTERNATIONAL CO., LTD.,</b> Xiamen (CN)	D583,176 S * 12/2008 Bochner ..... D6/555 D722,794 S * 2/2015 Luong ..... D20/19 D737,072 S * 8/2015 Laumerich ..... D6/567 D750,466 S * 3/2016 McCoy ..... D8/353 D767,298 S * 9/2016 Laumerich ..... D6/533 D767,303 S * 9/2016 Laumerich ..... D6/553 D827,332 S * 9/2018 Berkowitz ..... D6/568 D859,031 S * 9/2019 Ritch ..... A46B 17/02 D6/574
(72) Inventors: <b>Liming Ye,</b> Xiamen (CN); <b>Jiaqun Lin,</b> Xiamen (CN); <b>Yunlong Xie,</b> Xiamen (CN); <b>Chuanbao Zhu,</b> Xiamen (CN)	D916,518 S * 4/2021 Eads ..... D6/574 2011/0132634 A1 * 6/2011 Fetzter-Westmeister ..... H02G 3/14 174/66
(73) Assignee: <b>XIAMEN LOTA INTERNATIONAL CO., LTD.,</b> Xiamen (CN)	
(**) Term: <b>15 Years</b>	

(21) Appl. No.: **29/815,215**

\* cited by examiner

(22) Filed: **Nov. 12, 2021**

*Primary Examiner* — Nathan M Johnston

**Related U.S. Application Data**

(62) Division of application No. 29/728,486, filed on Mar. 19, 2020, now Pat. No. Des. 946,930.

(51) **LOC (13) Cl.** ..... **06-04**

(52) **U.S. Cl.**  
USPC ..... **D6/574; D23/254**

(58) **Field of Classification Search**  
USPC ..... D6/574, 567, 568, 329, 396, 417, 552, D6/553; 108/152; 211/13.1, 49.1, 60.1, 211/64, 70.5, 86.01, 87.01, 88.01, 89.01, 211/181.1; 248/121, 175, 200, 302; D23/254  
CPC ..... A47K 3/281; A47K 3/001; A47K 5/04; A47B 96/022; A47B 96/021; A47B 96/024; A47B 96/066; A47B 55/00  
See application file for complete search history.

(56) **References Cited**

**U.S. PATENT DOCUMENTS**

D312,185 S \* 11/1990 Prater, Sr. .... D6/567  
D348,581 S \* 7/1994 Starr, IV ..... D30/133

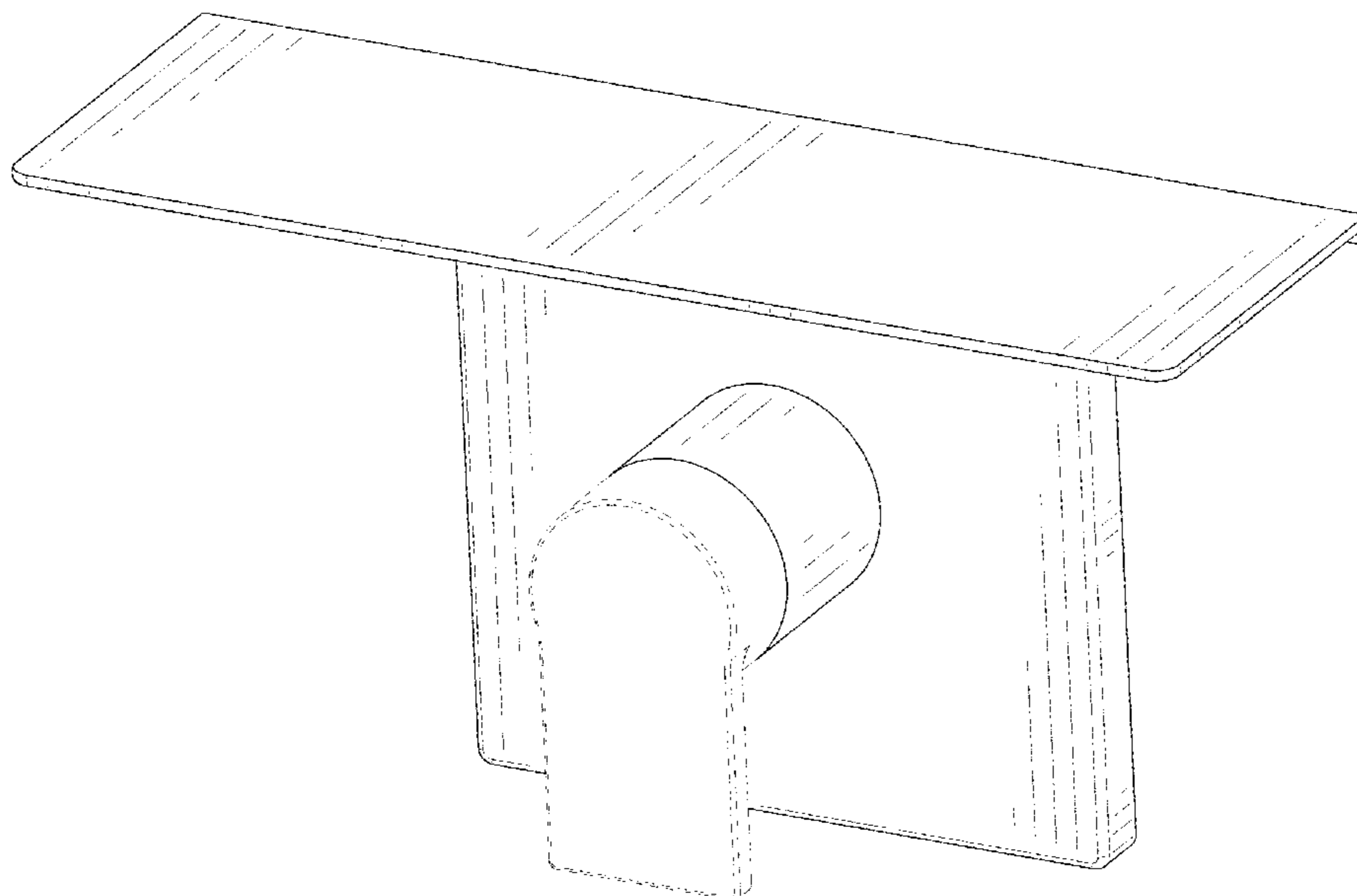
(57) **CLAIM**

The ornamental design for a shower shelf, as shown and described.

**DESCRIPTION**

FIG. 1 is a perspective view of a shower shelf showing our new design;  
FIG. 2 is another perspective view thereof;  
FIG. 3 is a front elevational view thereof;  
FIG. 4 is a rear elevational view thereof;  
FIG. 5 is a left side elevational view thereof;  
FIG. 6 is a right side elevational view thereof;  
FIG. 7 is a top plan view thereof; and,  
FIG. 8 is a bottom plan view thereof.  
The broken lines in the drawings depict portions of the shower shelf that form no part of the claimed design.

**1 Claim, 8 Drawing Sheets**



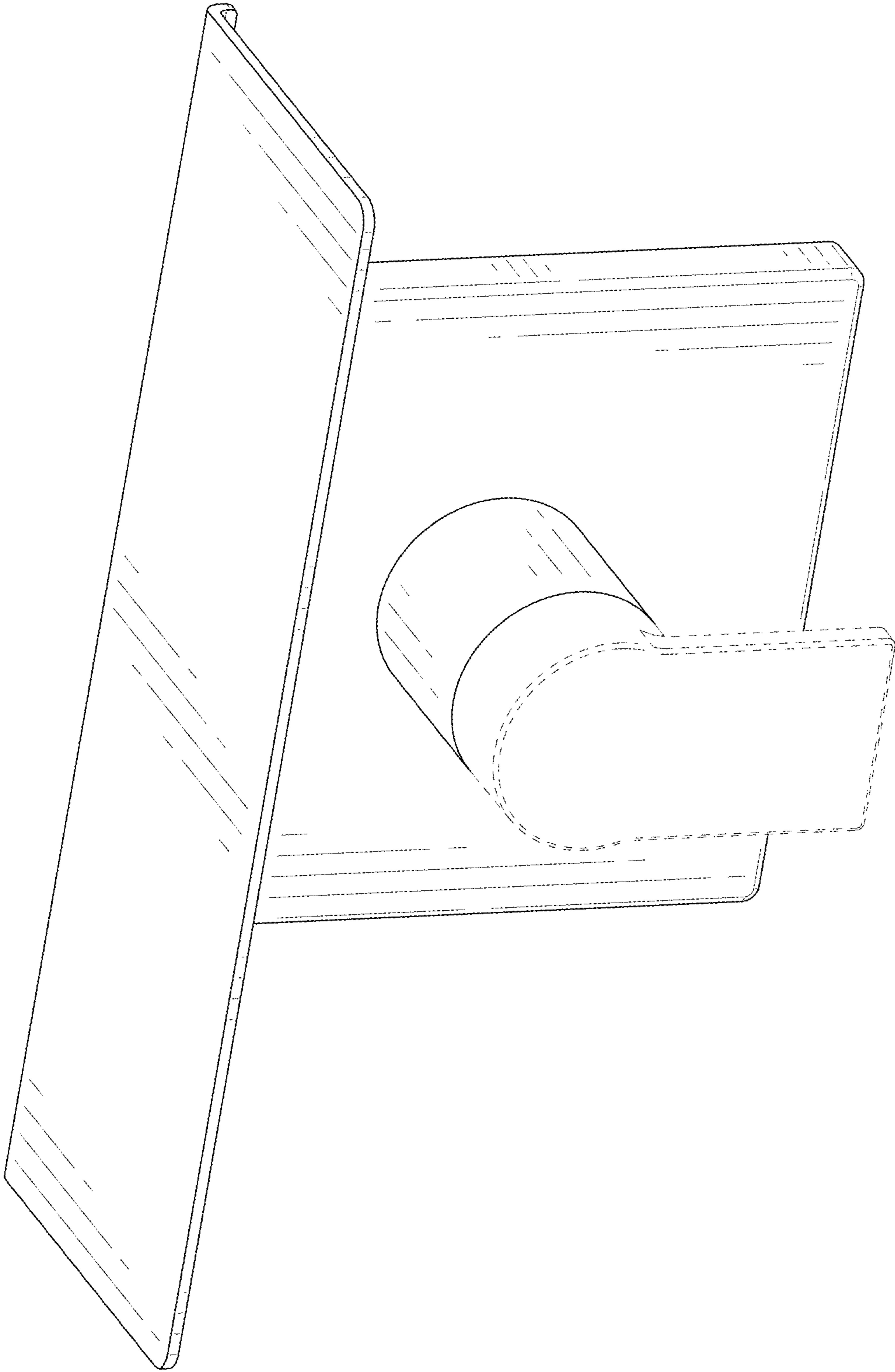


FIG. 1

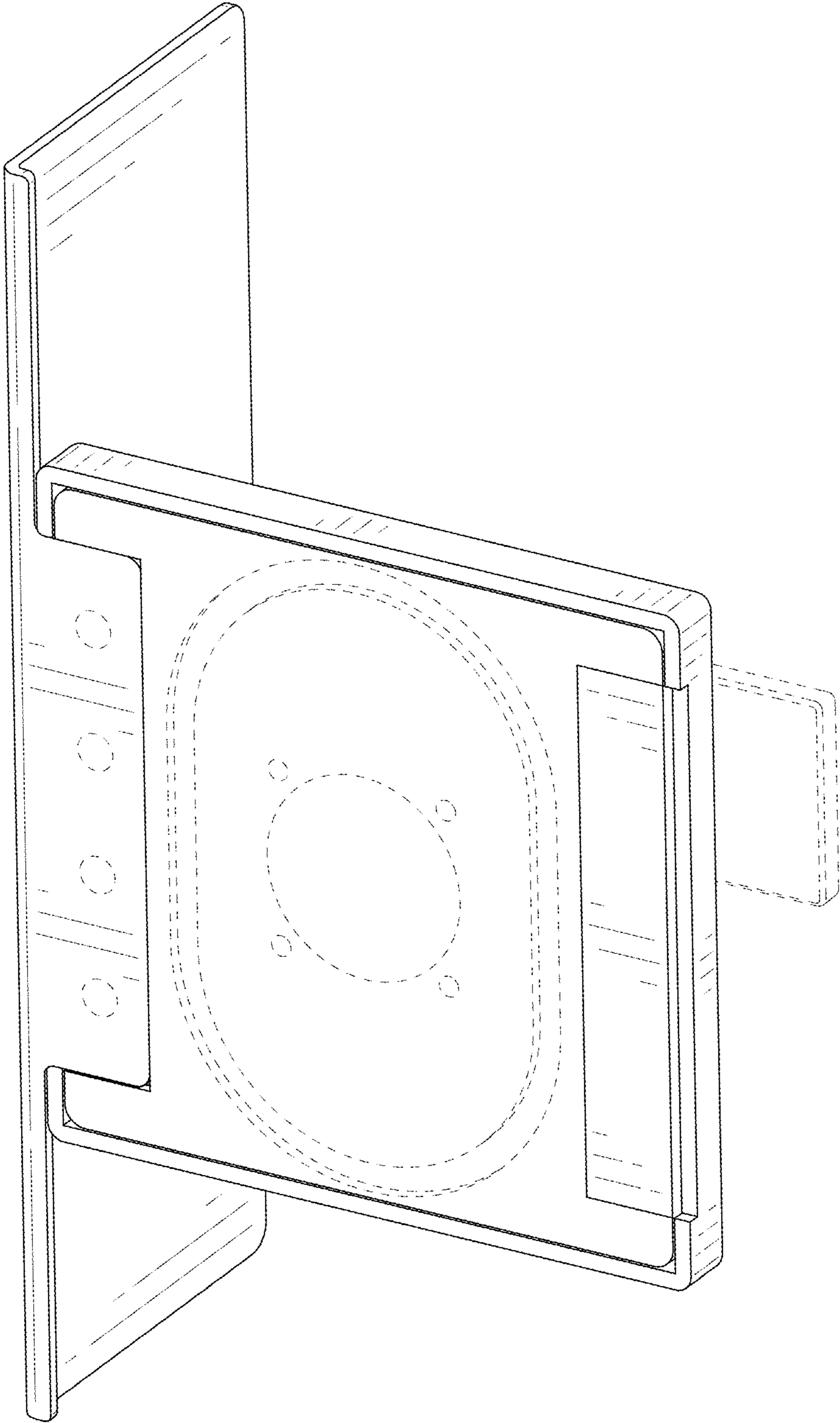


FIG. 2

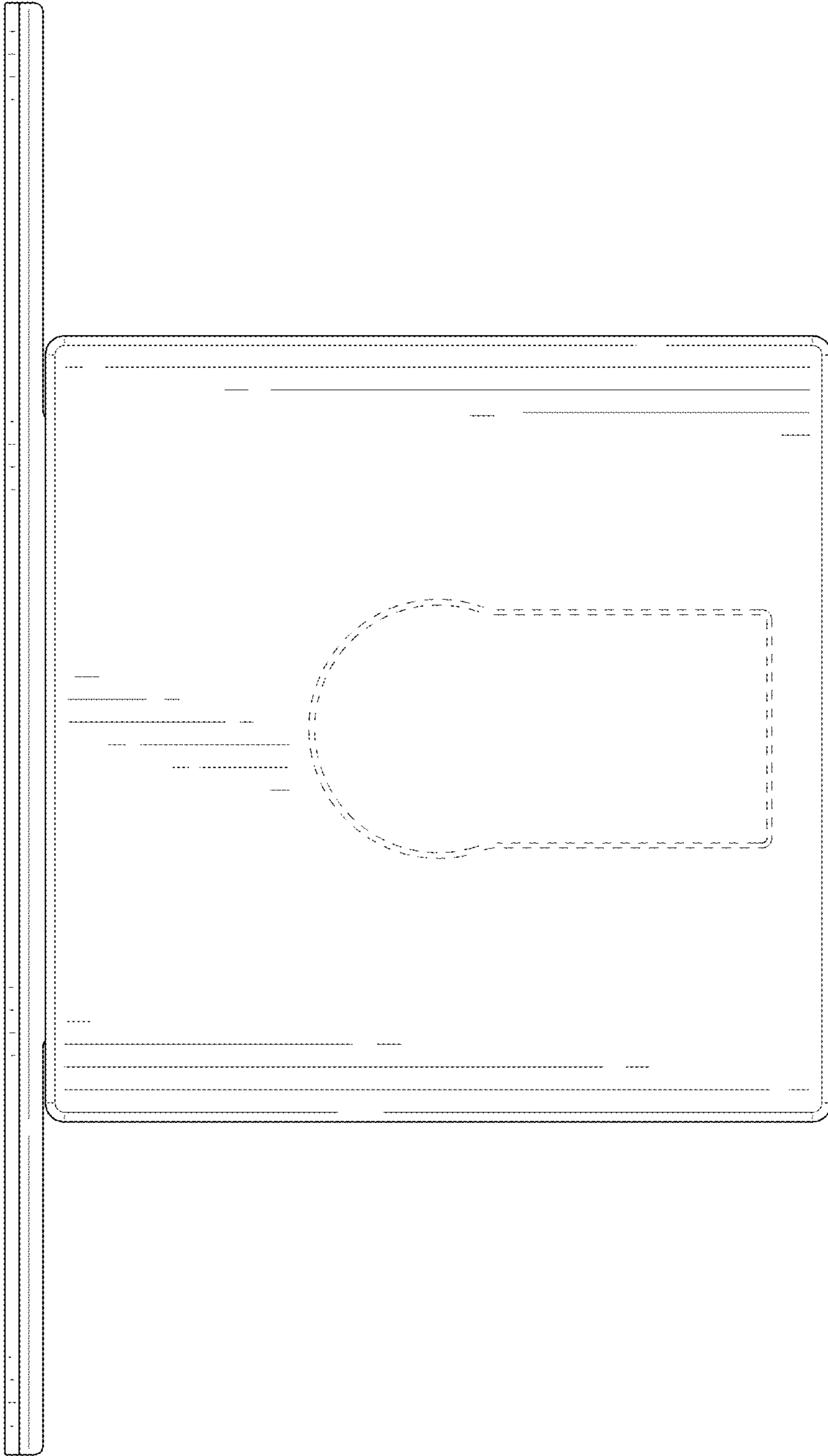


FIG. 3

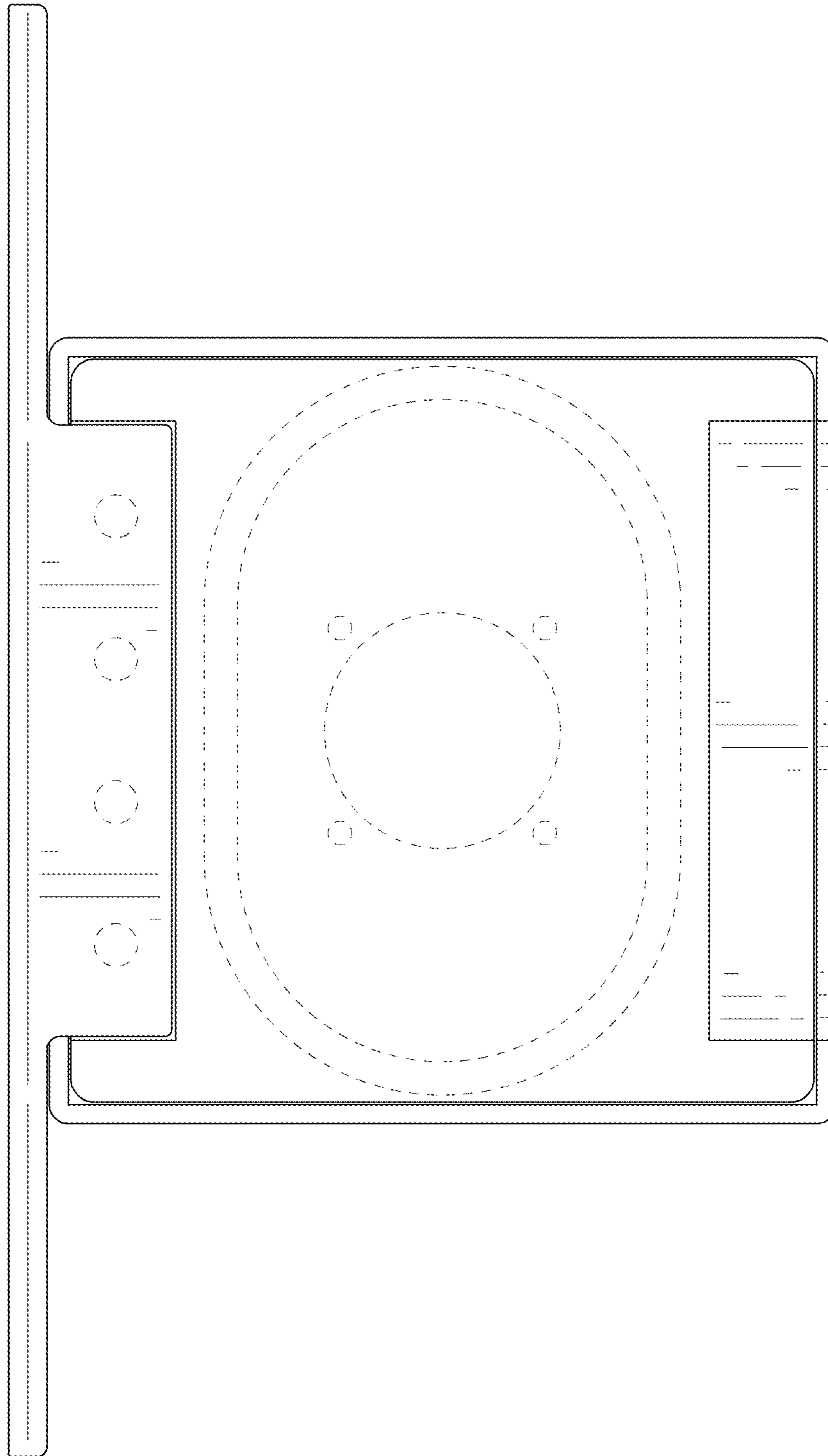


FIG. 4

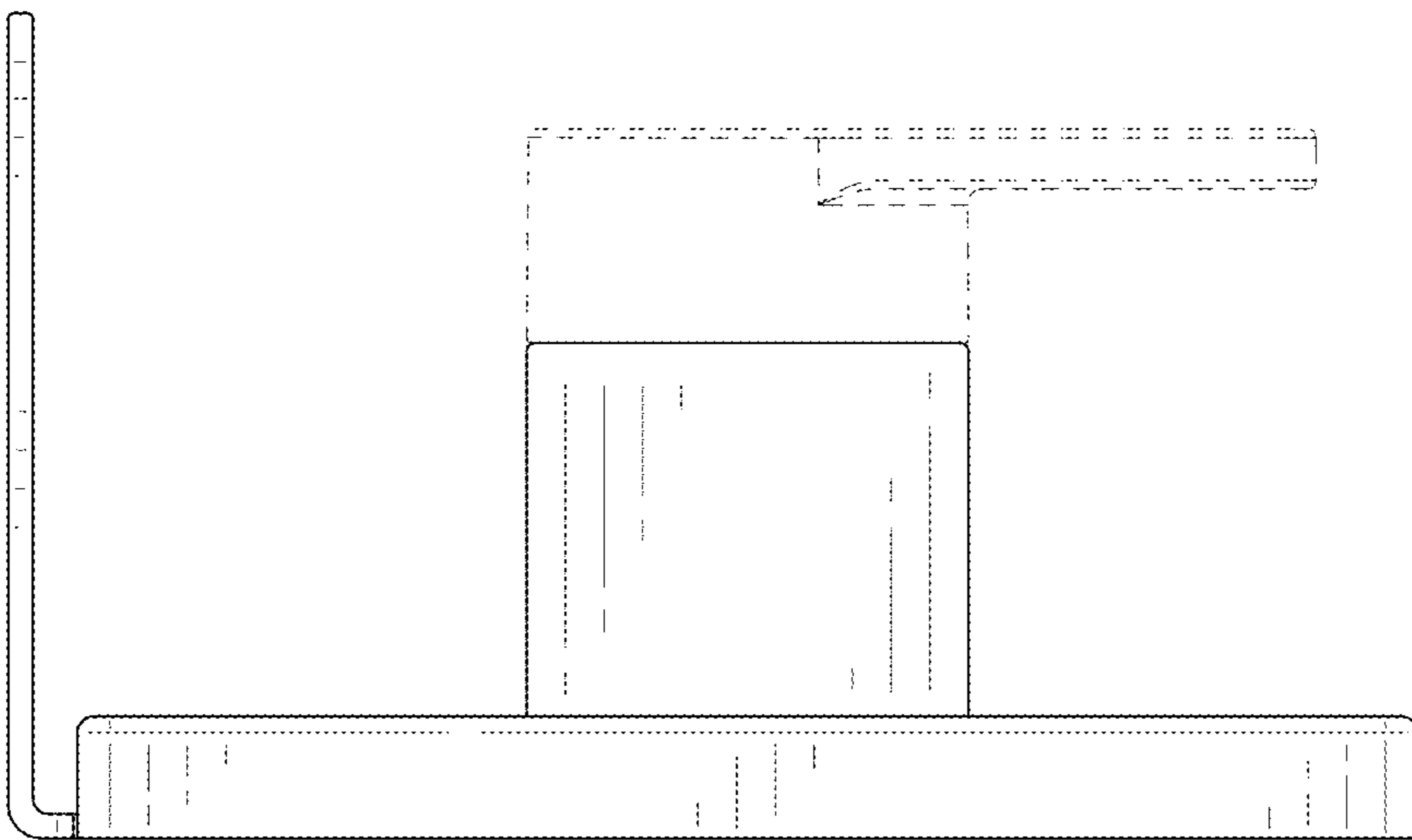


FIG. 5

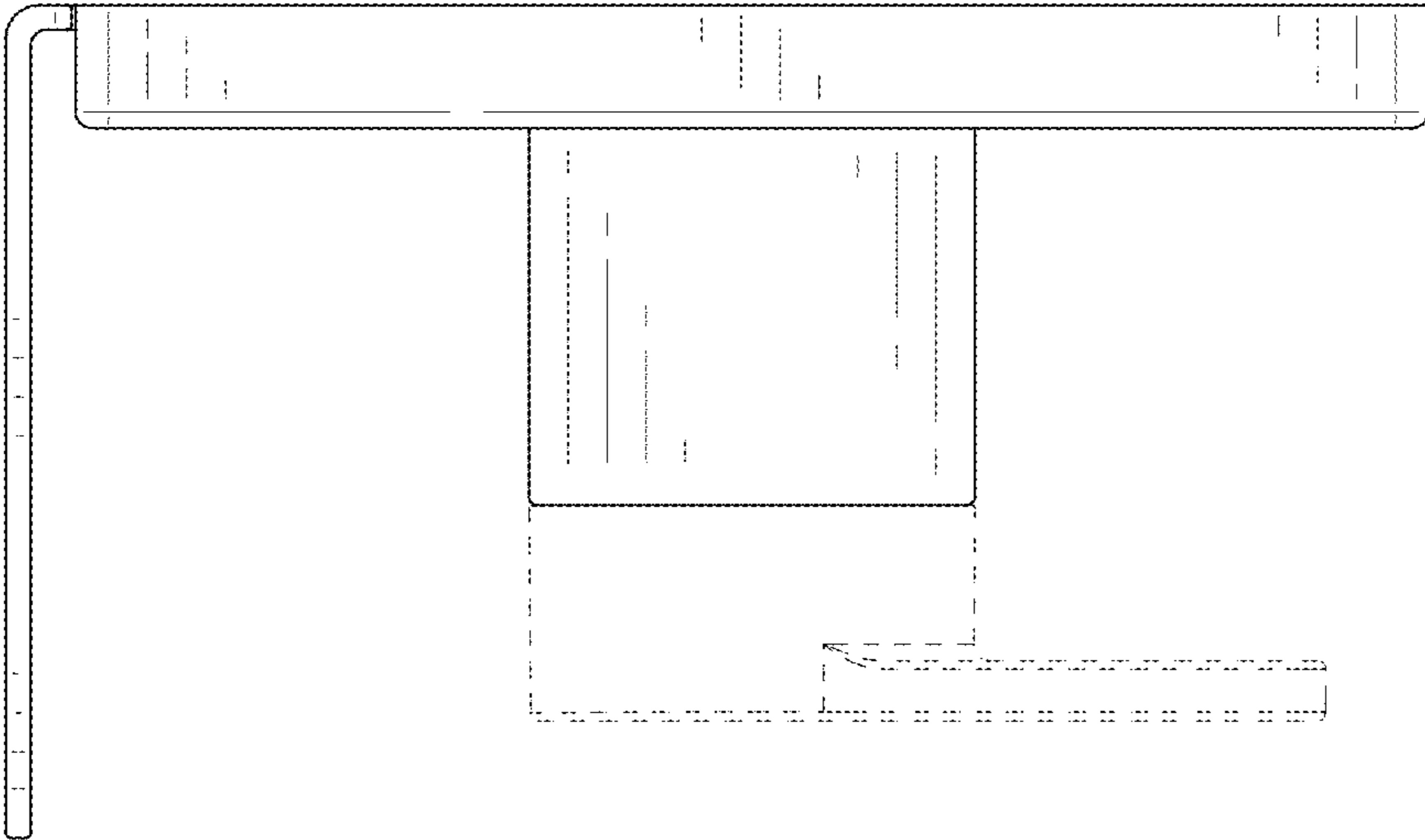


FIG. 6

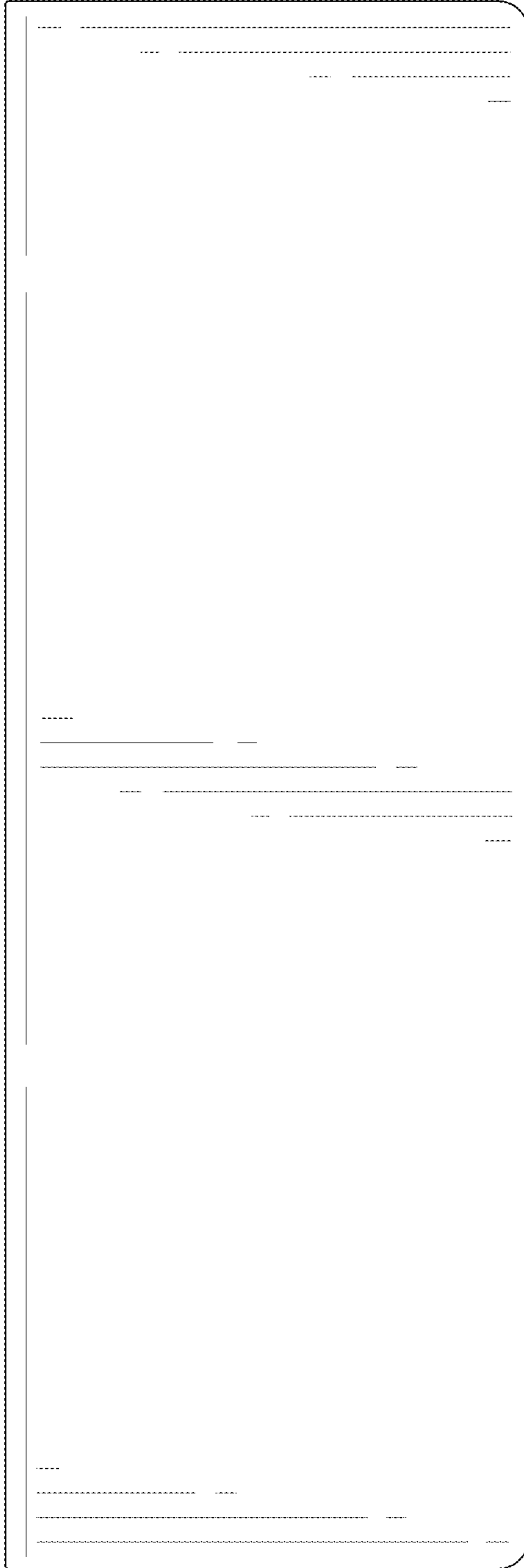


FIG. 7



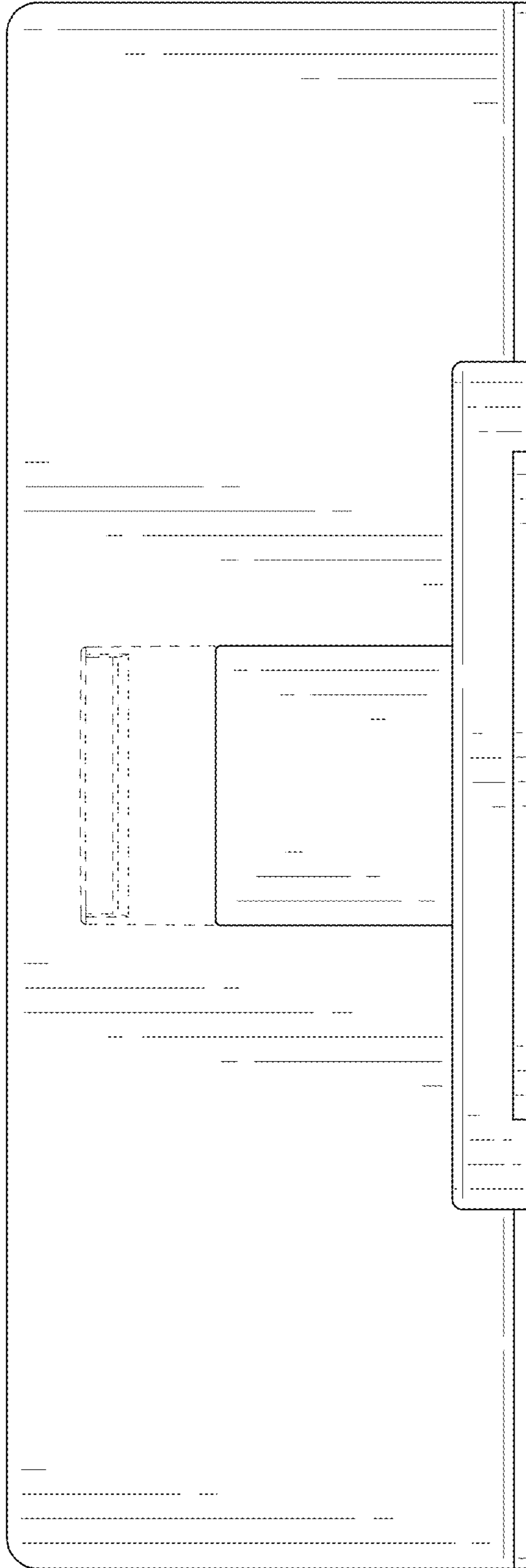


FIG. 8