



US00D958561S

(12) **United States Design Patent**  
**Carlberg**

(10) **Patent No.:** **US D958,561 S**

(45) **Date of Patent:** **\*\* Jul. 26, 2022**

(54) **SHELF**

(71) Applicant: **Inter IKEA Systems B.V.**, LN Delft  
(NL)

(72) Inventor: **Gustav Carlberg**, Malmö (SE)

(73) Assignee: **INTER IKEA SYSTEMS B.V.**, Delft  
(NL)

(\*\*) Term: **15 Years**

(21) Appl. No.: **29/770,877**

(22) Filed: **Feb. 17, 2021**

(30) **Foreign Application Priority Data**

Sep. 7, 2020 (EM) ..... 008159784-0001

(51) **LOC (13) Cl.** ..... **06-04**

(52) **U.S. Cl.**  
USPC ..... **D6/574**

(58) **Field of Classification Search**

USPC ..... D6/574, 512, 524, 552, 553, 572, 573,  
D6/569, 672, 673, 675.1, 705, 560;  
D3/304-315, 319; 108/28-29, 152;  
211/13.1, 42, 71.01, 86.01, 87.01, 88.01,  
211/88.03, 90.01, 90.03, 126.1, 133.5,  
211/134, 153, 182; 248/205.3, 235, 243,  
248/247, 249, 250

CPC ..... A47B 43/00; A47B 43/04; A47B 47/0066;  
A47B 47/04; A47B 63/00; A47B 69/00;  
A47B 71/00; B65D 51/00

See application file for complete search history.

(56) **References Cited**

**U.S. PATENT DOCUMENTS**

3,469,811 A \* 9/1969 Edward, I ..... A47B 96/06  
248/248  
4,155,312 A \* 5/1979 Thorkildson ..... A47B 45/00  
D6/705

D292,352 S \* 10/1987 Hampshire ..... D6/555  
D419,021 S \* 1/2000 Owens ..... D6/513  
D443,163 S \* 6/2001 Welch ..... D6/574  
D541,563 S \* 5/2007 LaBonia, Jr. .... D6/705  
D557,963 S \* 12/2007 Hoernig ..... D6/574  
D594,261 S \* 6/2009 Maxwell ..... D6/574  
D598,228 S \* 8/2009 West ..... D6/574  
D690,533 S \* 10/2013 Majcher ..... D6/574  
D853,749 S \* 7/2019 Kostjal ..... D6/567  
D916,518 S \* 4/2021 Eads ..... D6/574  
2008/0047914 A1 \* 2/2008 Young ..... A47B 96/02  
248/235

\* cited by examiner

*Primary Examiner* — Nathan M Johnston

(74) *Attorney, Agent, or Firm* — Tucker Ellis LLP

(57) **CLAIM**

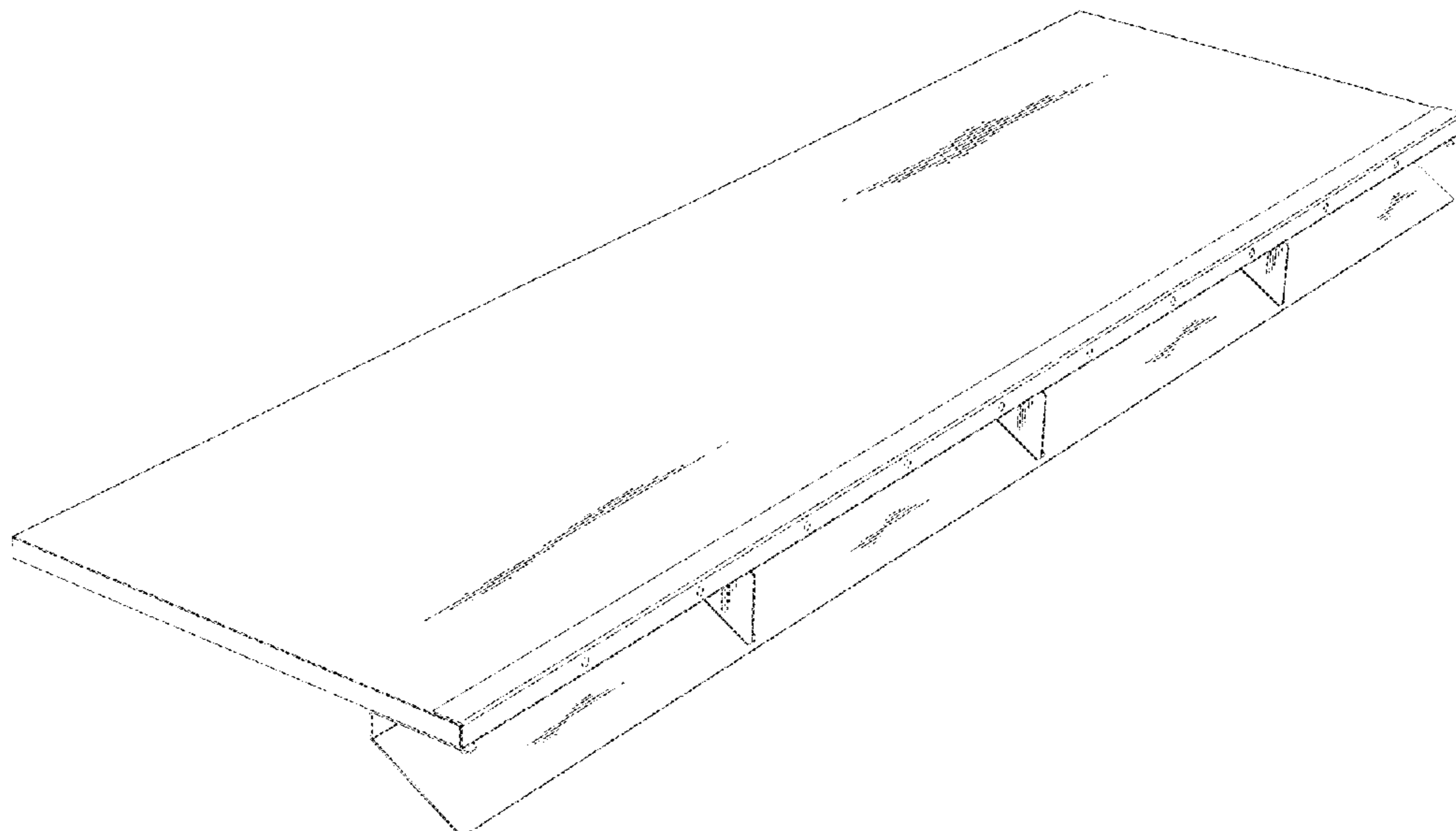
The ornamental design for a shelf, as shown and described.

**DESCRIPTION**

FIG. 1 is a front, bottom and left side perspective view of a shelf showing my new design;  
FIG. 2 is a rear, top and left side perspective view thereof;  
FIG. 3 is a top view thereof;  
FIG. 4 is a bottom view thereof;  
FIG. 5 is a front view thereof;  
FIG. 6 is a rear view thereof;  
FIG. 7 is a right side view thereof; and,  
FIG. 8 is a left side view thereof.

The broken lines show portions of the shelf that form no part of the claimed design.

**1 Claim, 2 Drawing Sheets**



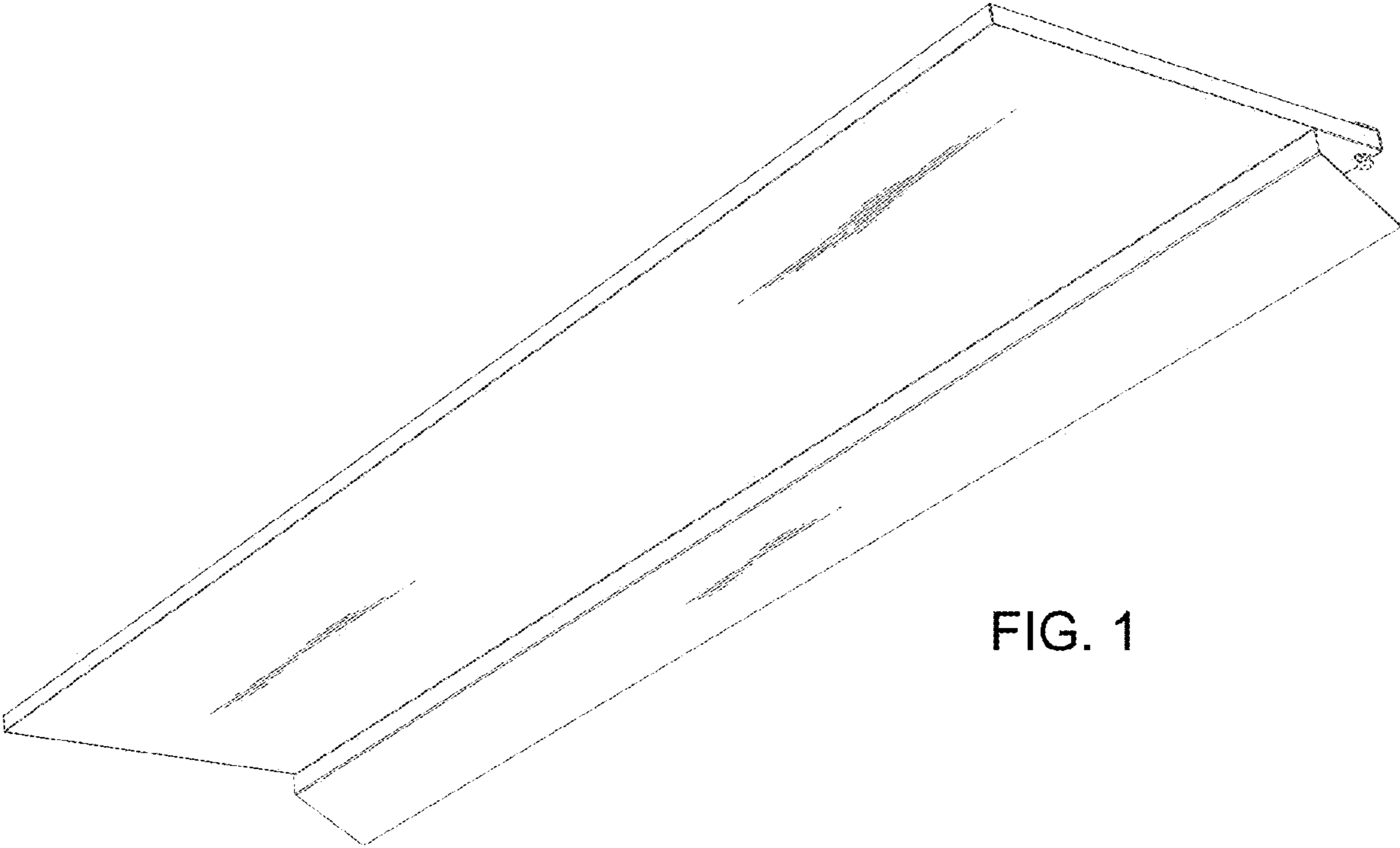


FIG. 1

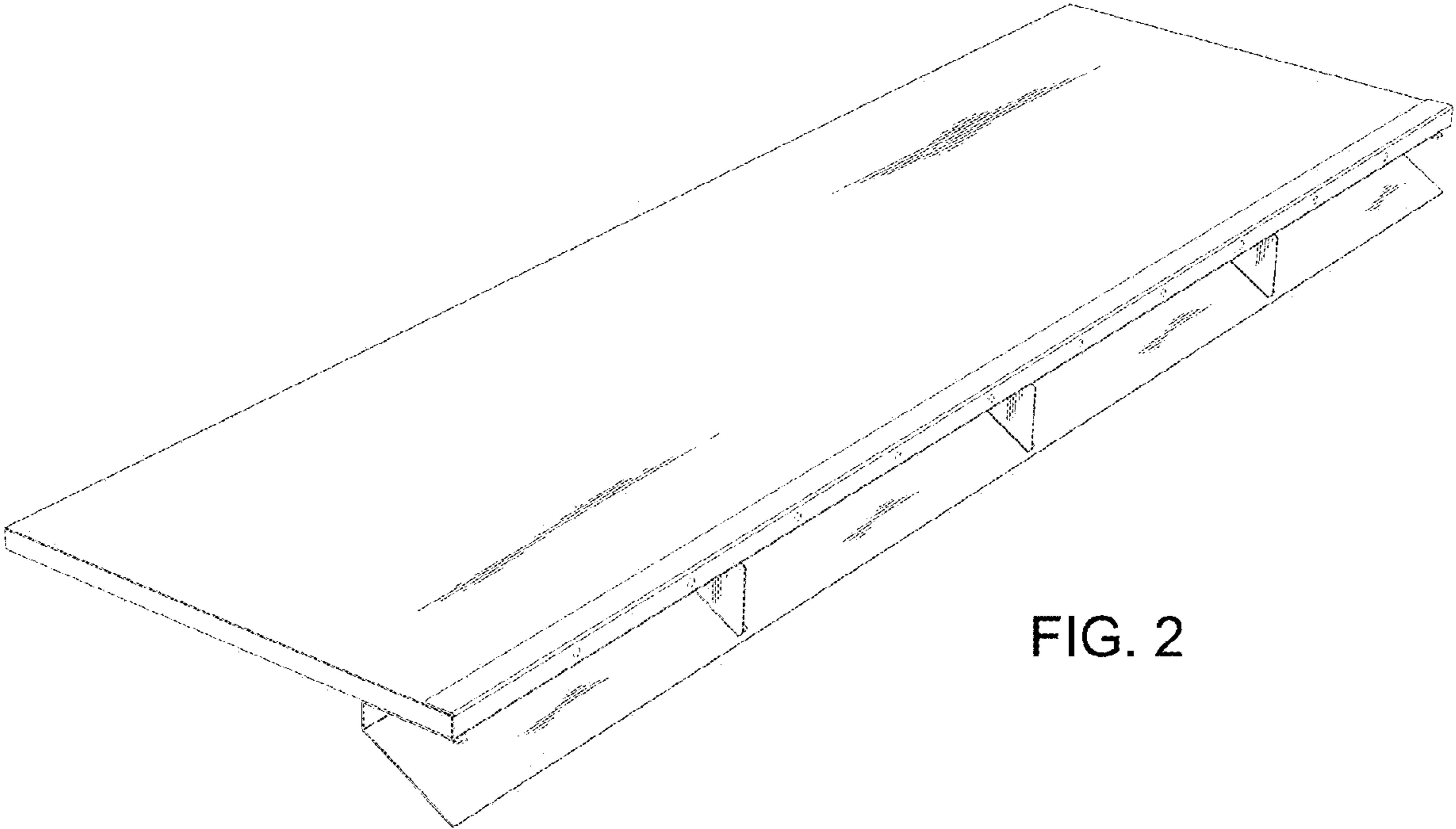


FIG. 2

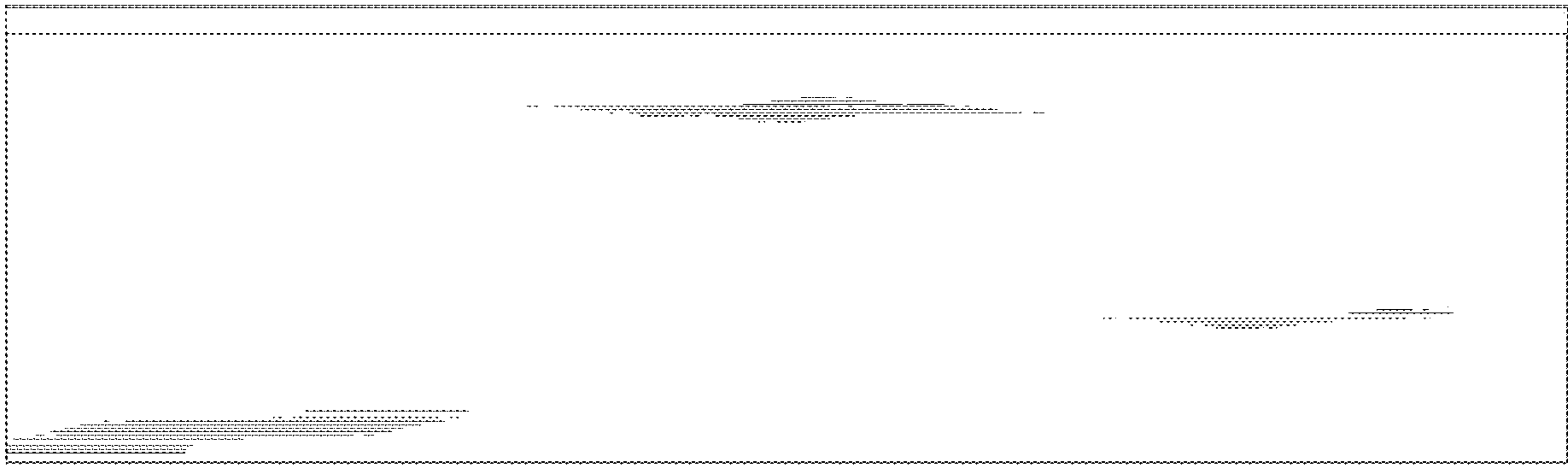


FIG. 3



FIG. 4

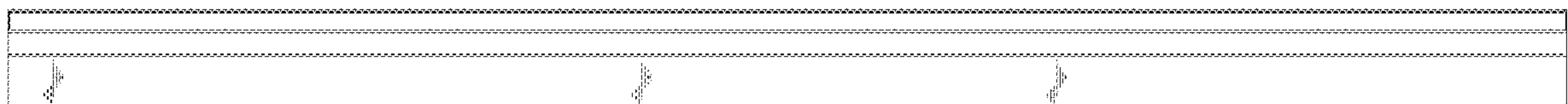


FIG. 5

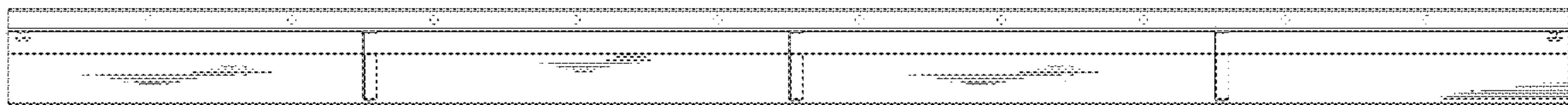


FIG. 6

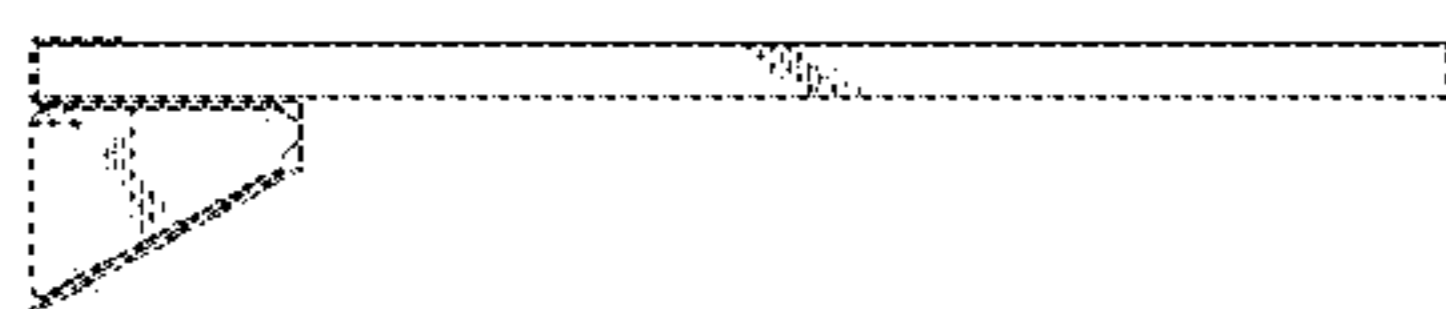


FIG. 7

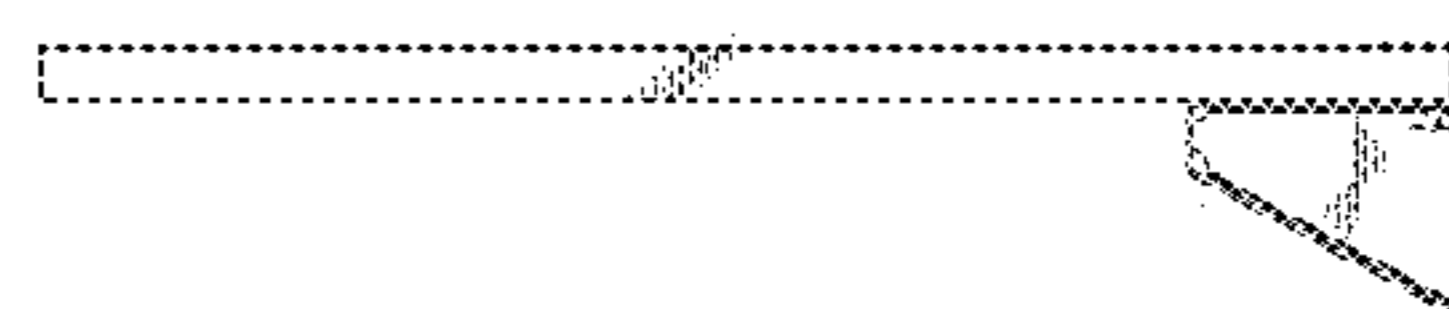


FIG. 8