



US00D958560S

(12) **United States Design Patent**  
**Nichetto**

(10) **Patent No.:** **US D958,560 S**

(45) **Date of Patent:** **\*\* Jul. 26, 2022**

(54) **COUCH**

D802,323 S \* 11/2017 Binfare ..... D6/381  
D805,798 S \* 12/2017 Vignatelli ..... D6/381  
D882,283 S \* 4/2020 Barber ..... D6/381

(71) Applicant: **Sancal Diseño, S.L.**, Yecla (ES)

(72) Inventor: **Luca Nichetto**, Stockholm (SE)

(73) Assignee: **Sancal Diseño, S.L.**, Yecla (ES)

(\*\*) Term: **15 Years**

(21) Appl. No.: **29/753,484**

(22) Filed: **Sep. 30, 2020**

(30) **Foreign Application Priority Data**

Apr. 6, 2020 (EM) ..... 007794235-0009

(51) **LOC (13) Cl.** ..... **06-01**

(52) **U.S. Cl.**  
USPC ..... **D6/381**

(58) **Field of Classification Search**  
USPC ..... D6/334-337, 349, 369, 374, 375, 377,  
D6/381  
CPC ..... A47C 17/00; A47C 17/02; A47C 17/86  
See application file for complete search history.

(56) **References Cited**

**U.S. PATENT DOCUMENTS**

D247,835 S \* 5/1978 Offredi ..... D6/374  
4,343,509 A \* 8/1982 Lundgren ..... A47C 4/028  
297/440.22  
D278,872 S \* 5/1985 Roset ..... D6/381  
D368,176 S \* 3/1996 Mourgue ..... D6/381  
D401,078 S \* 11/1998 Relling ..... D6/381  
D514,335 S \* 2/2006 Patti ..... D6/334  
D630,450 S \* 1/2011 Wold ..... D6/381  
D633,726 S \* 3/2011 Wold ..... D6/381  
D670,098 S \* 11/2012 Urquiola ..... D6/375  
D725,931 S \* 4/2015 Lievore ..... D6/381

**FOREIGN PATENT DOCUMENTS**

GB 9007794235-0009 \* 4/2020

**OTHER PUBLICATIONS**

Next Stop lounge range [online], [site visited Mar. 21, 2022]. Available from internet, URL: <https://www.zenithinteriors.com/products/next-stop-lounge-range/> (Year: 2022).\*  
Luca Nichetto on Instagram post [online], [site visited Mar. 21, 2022]. Available from internet, URL: <https://www.instagram.com/p/BwYC9g5BHmJ/> (Year: 2019).\*

\* cited by examiner

*Primary Examiner* — Cynthia Ramirez

*Assistant Examiner* — Xavier Marti-Santos

(74) *Attorney, Agent, or Firm* — Banner & Witcoff, Ltd.

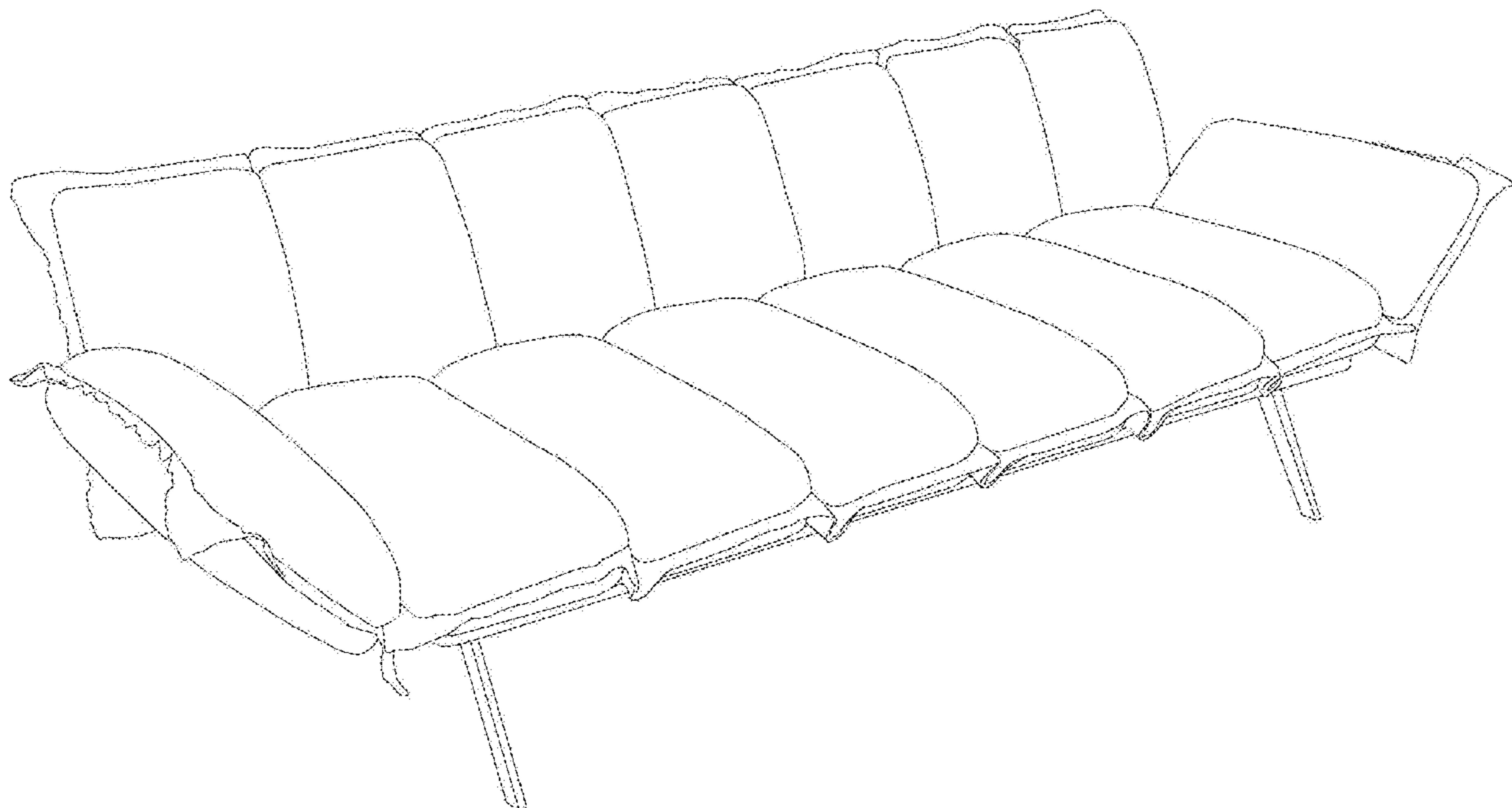
(57) **CLAIM**

The ornamental design for a couch, as shown and described.

**DESCRIPTION**

FIG. 1 is a front, left-side, top perspective view of a couch showing my new design;  
FIG. 2 is a front view thereof;  
FIG. 3 is a left-side perspective view thereof, the right-side perspective view being a mirror image thereof;  
FIG. 4 is a left-side, top perspective view thereof;  
FIG. 5 is a right-side, top perspective view thereof;  
FIG. 6 is a rear, left-side perspective view thereof; and,  
FIG. 7 is a rear, right-side perspective view thereof.

**1 Claim, 7 Drawing Sheets**



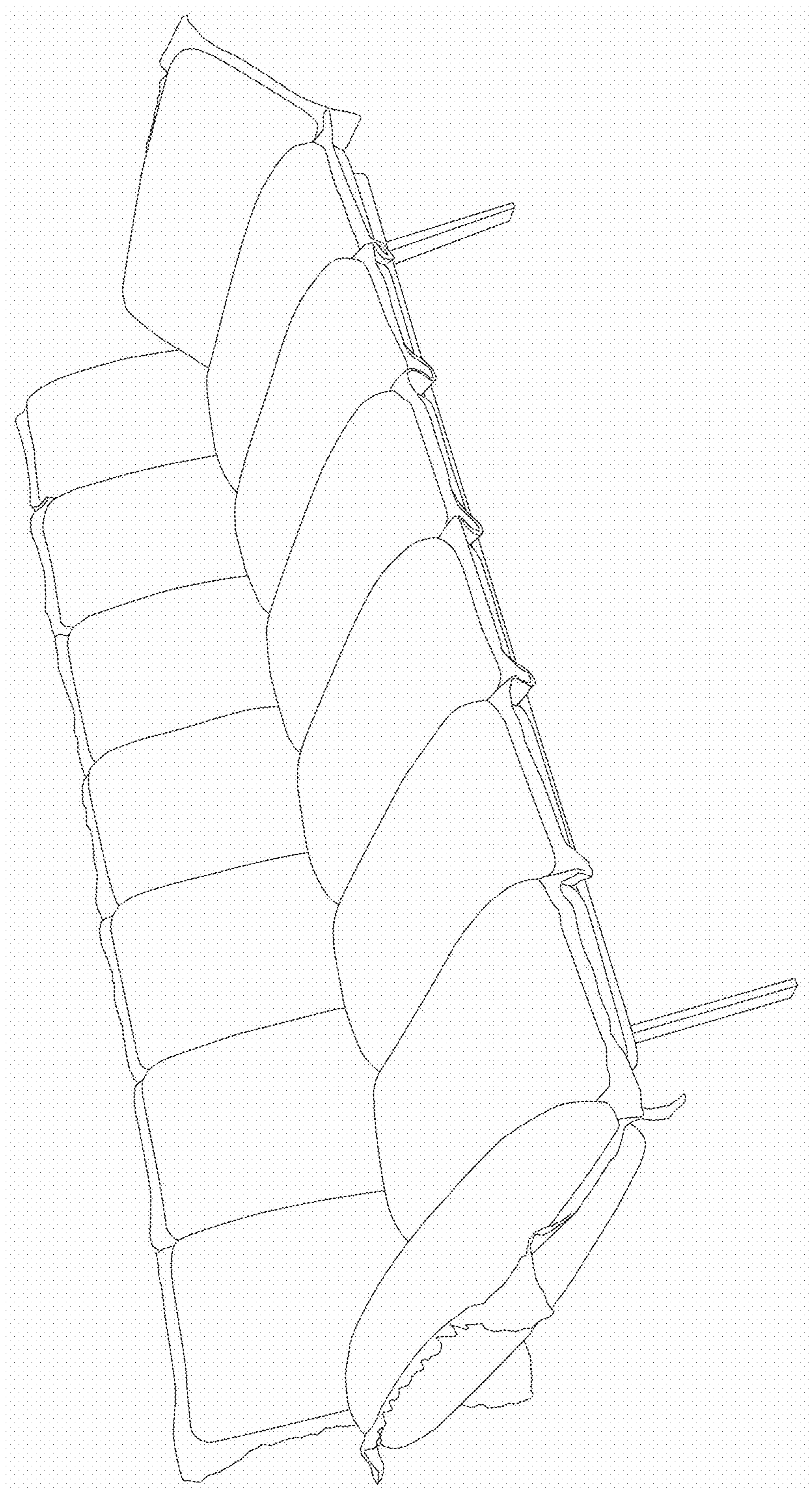


FIG. 1

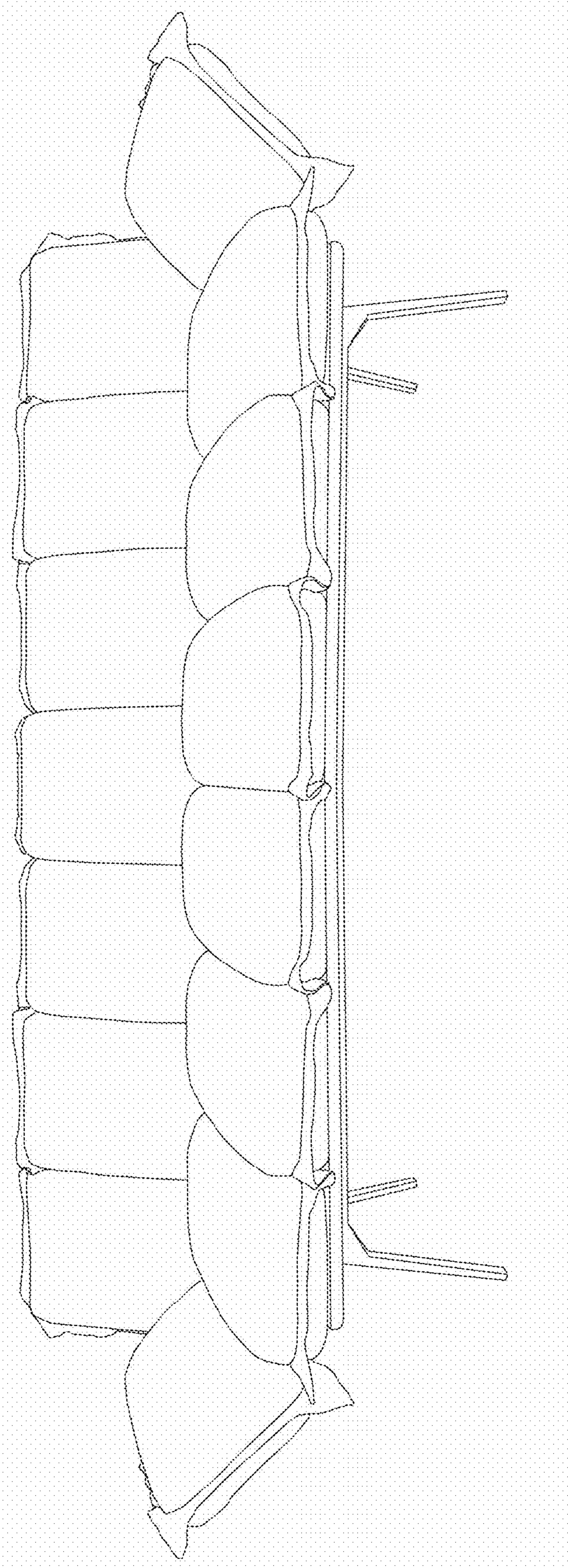


FIG. 2

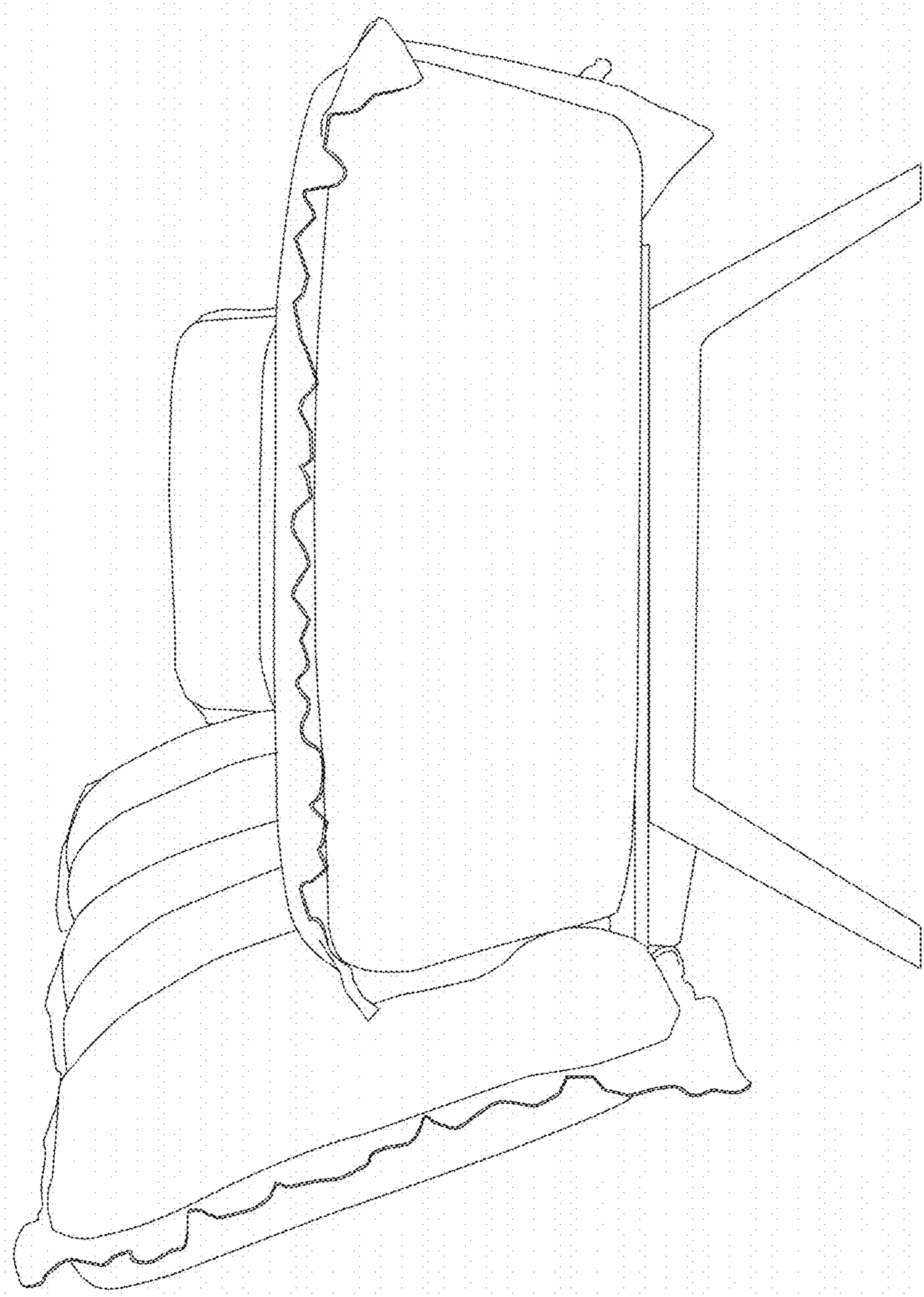
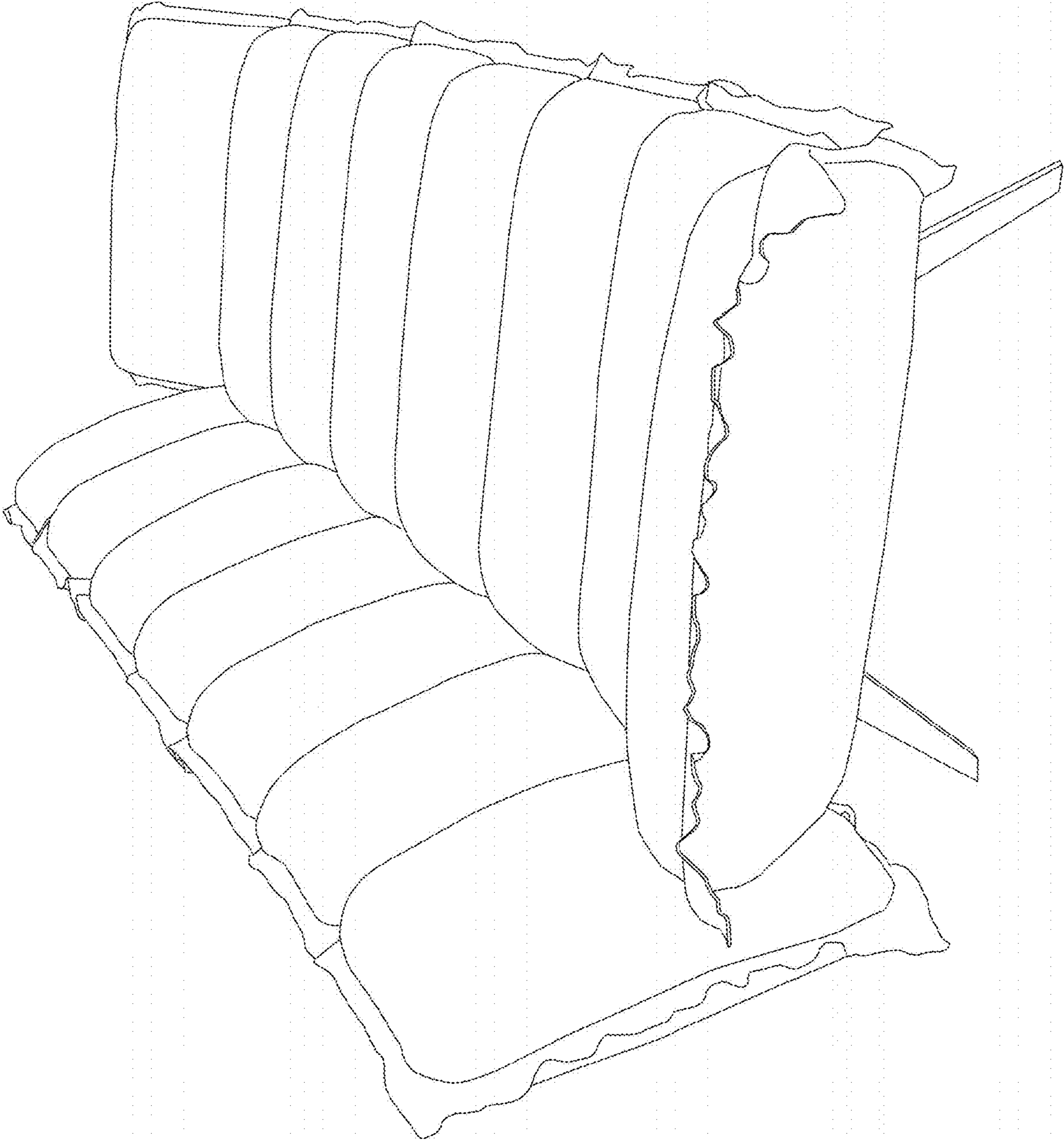


FIG. 3

FIG. 4



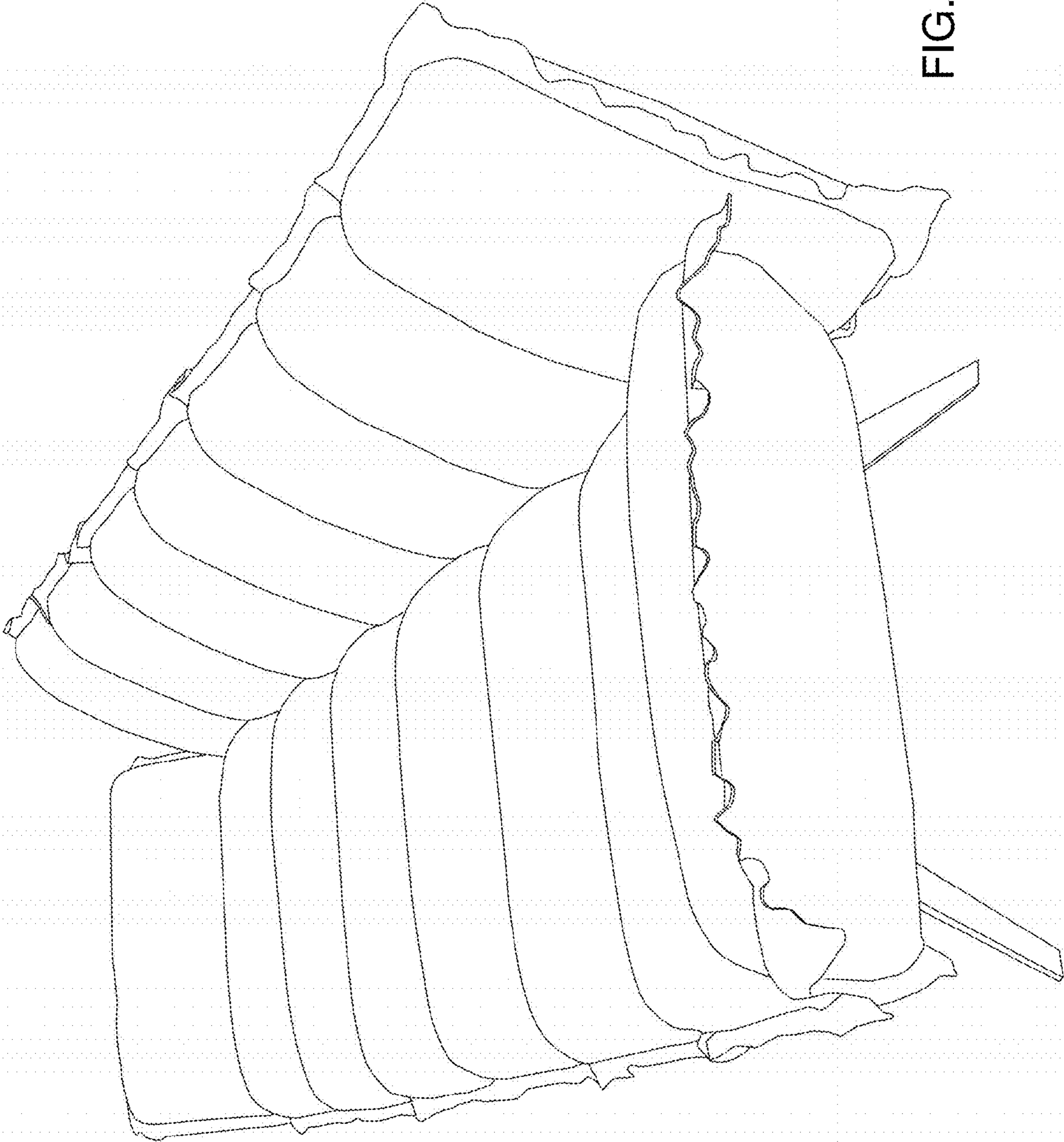


FIG. 5

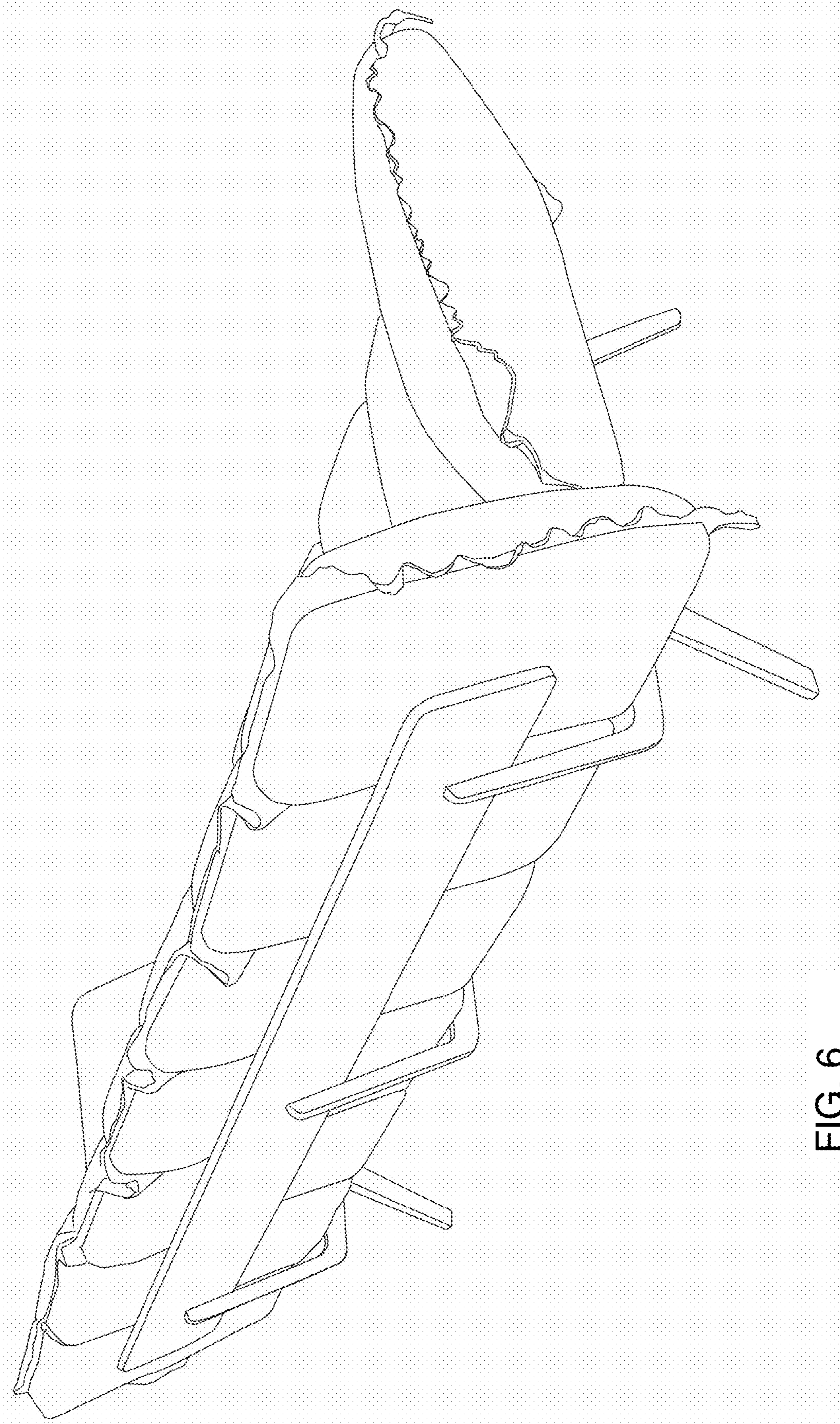


FIG. 6

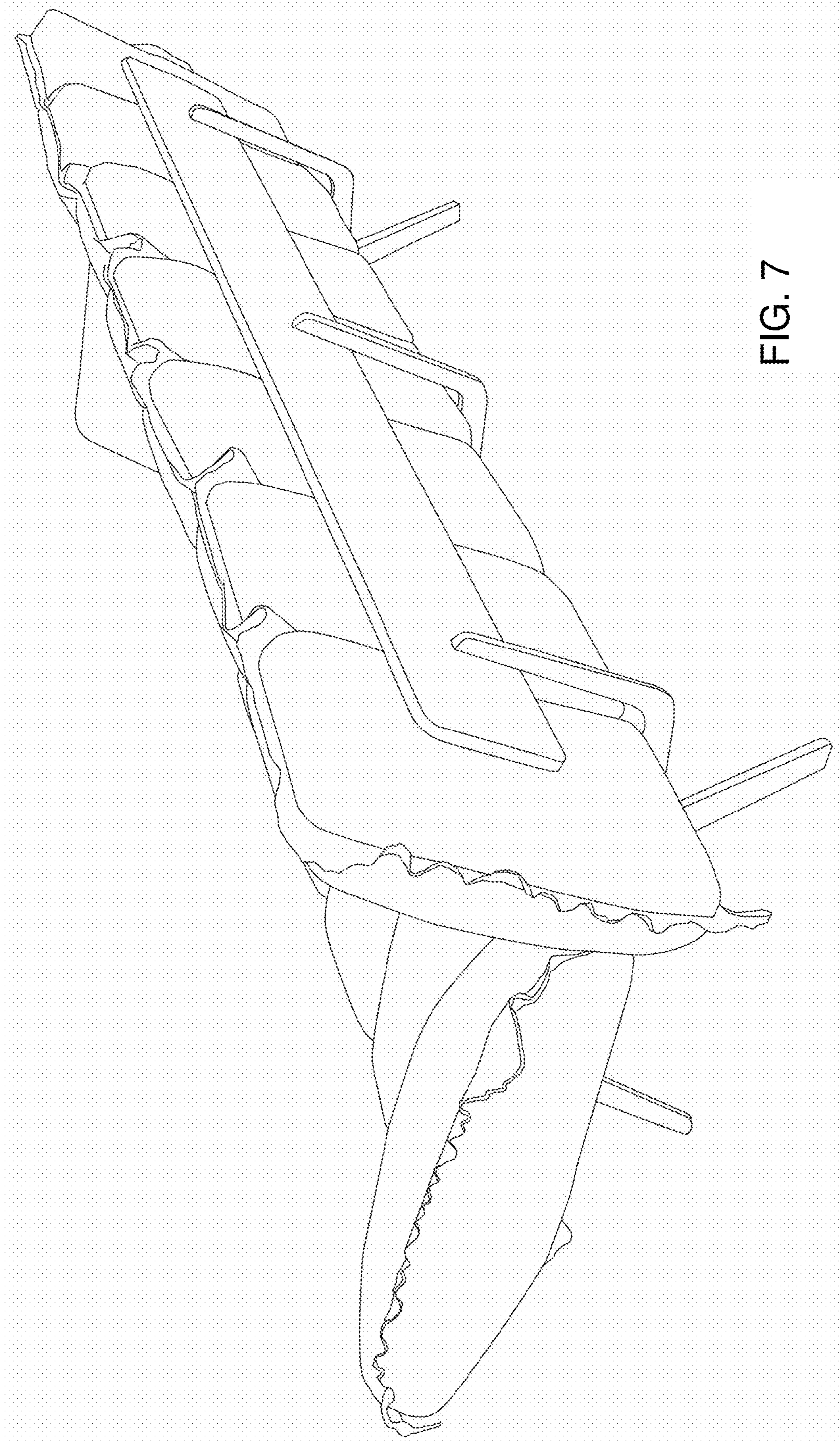


FIG. 7