



US00D958558S

(12) **United States Design Patent**  
**King et al.**

(10) **Patent No.:** **US D958,558 S**

(45) **Date of Patent:** **\*\* Jul. 26, 2022**

- (54) **CHAIR**
- (71) Applicant: **King Living Singapore Pte Ltd,**  
Hansapoint (SG)
- (72) Inventors: **David King,** Turrella (AU); **Anastasia**  
**Panagopoulos,** Turrella (AU)
- (73) Assignee: **King Living Singapore Pte Ltd,**  
Hansapoint (SG)
- (\*\*) Term: **15 Years**
- (21) Appl. No.: **29/726,312**
- (22) Filed: **Mar. 2, 2020**
- (30) **Foreign Application Priority Data**
  - Sep. 2, 2019 (AU) ..... 201915007
  - Sep. 2, 2019 (AU) ..... 201915008
  - Sep. 2, 2019 (AU) ..... 201915009
  - Sep. 2, 2019 (AU) ..... 201915010
- (51) **LOC (13) Cl.** ..... **06-01**
- (52) **U.S. Cl.**  
USPC ..... **D6/377**
- (58) **Field of Classification Search**  
USPC ..... D6/334, 348, 370, 371, 374, 375, 376,  
D6/377, 379, 380, 716, 716.1, 716.4;  
D21/521  
CPC ..... A47C 31/003; A47C 31/008; A47C 3/025;  
A47C 13/00; A47C 5/02; A47C 5/08;  
A47B 85/04  
See application file for complete search history.

(56) **References Cited**

**U.S. PATENT DOCUMENTS**

- D186,308 S \* 10/1959 Knoll ..... D6/334
- D188,488 S \* 8/1960 Otto ..... D6/334
- D260,950 S \* 9/1981 Aulenti ..... D6/379

- D454,441 S \* 3/2002 Bermudez ..... D6/335
- D457,005 S \* 5/2002 Mourgue ..... D6/334
- D527,196 S \* 8/2006 Antonioni ..... D6/381
- D663,131 S \* 7/2012 Barefoot ..... D6/374
- D666,842 S \* 9/2012 Cramer ..... D6/379
- D666,847 S \* 9/2012 Metcalf ..... D6/717
- D677,486 S \* 3/2013 Cramer ..... D6/381
- D736,535 S \* 8/2015 Foersom ..... D6/377
- D767,295 S \* 9/2016 Haase ..... D6/374
- D802,322 S \* 11/2017 Velez ..... D6/381
- D851,416 S \* 6/2019 King ..... D6/334
- D884,380 S \* 5/2020 Killinger ..... D6/377
- D887,726 S \* 6/2020 Grassinger ..... D6/334
- D890,542 S \* 7/2020 Bellini ..... D6/377
- D895,339 S \* 9/2020 Rottet ..... D6/717
- D897,128 S \* 9/2020 Killinger ..... D6/381

(Continued)

*Primary Examiner* — Kevin K Rudzinski

*Assistant Examiner* — Paul D Bohannon

(74) *Attorney, Agent, or Firm* — Banner & Witcoff, Ltd.

(57) **CLAIM**

The ornamental design for a chair, as shown and described.

**DESCRIPTION**

FIG. 1 is a front perspective view of a first embodiment of a chair;

FIG. 2 is a top plan view thereof;

FIG. 3 is a front view thereof;

FIG. 4 is a right side view thereof;

FIG. 5 is a rear view thereof;

FIG. 6 is a front perspective view of a second embodiment of a chair;

FIG. 7 is a top plan view thereof;

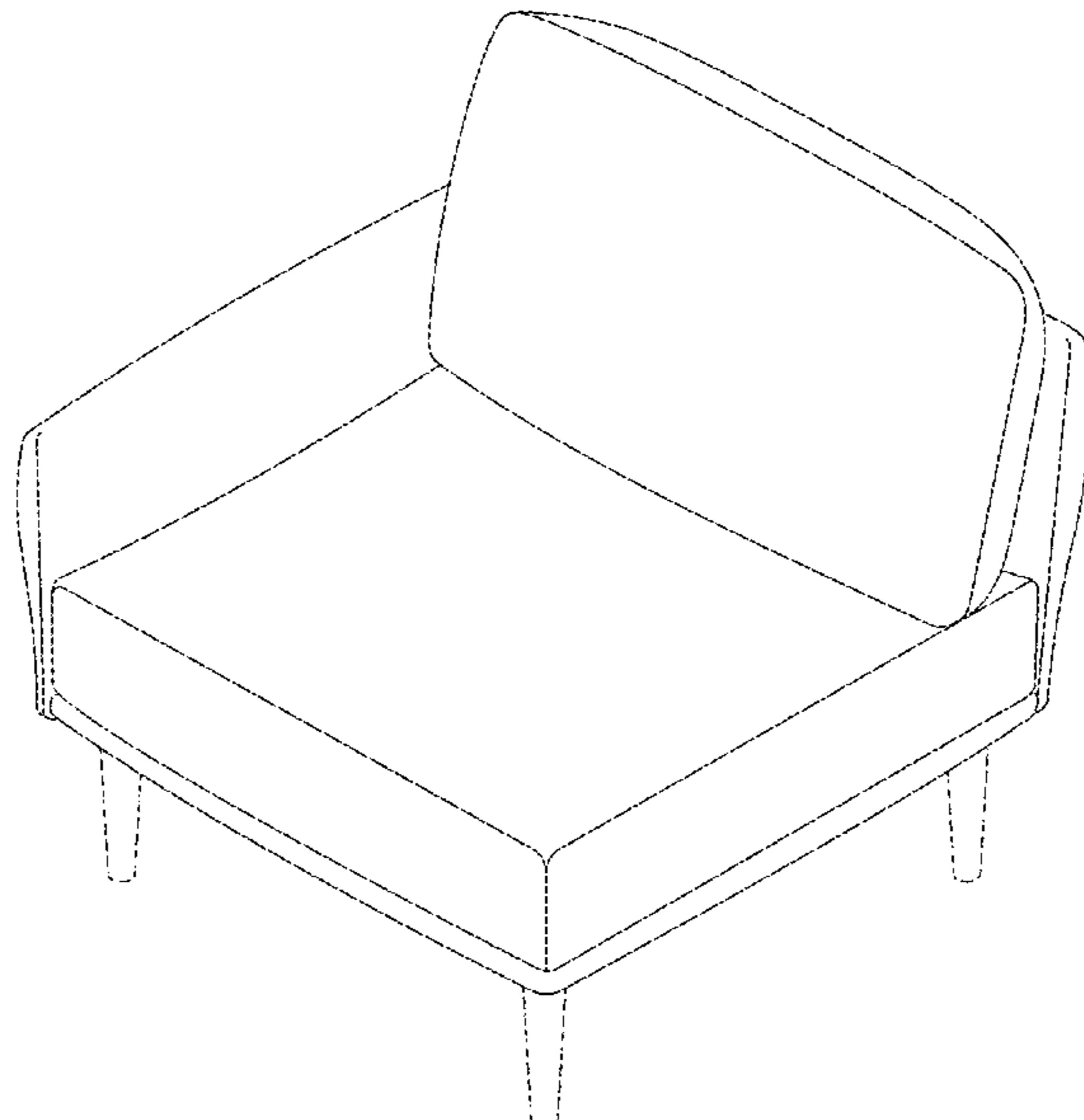
FIG. 8 is a front view thereof;

FIG. 9 is a right side view thereof, the left side view being a mirror image thereof; and,

FIG. 10 is a rear view thereof.

The broken lines illustrate portions of the chair that form no part of the claimed design.

**1 Claim, 10 Drawing Sheets**



(56)

**References Cited**

U.S. PATENT DOCUMENTS

D898,393 S \* 10/2020 King ..... D6/361  
D898,402 S \* 10/2020 King ..... D6/381  
D899,110 S \* 10/2020 King ..... D6/334  
D899,795 S \* 10/2020 Hale ..... D6/334  
D903,358 S \* 12/2020 Smrstick ..... D6/374  
D904,771 S \* 12/2020 Nigro ..... D6/334  
D905,978 S \* 12/2020 Smrstick ..... D6/334  
D909,086 S \* 2/2021 Maynes ..... D6/379  
2017/0347799 A1\* 12/2017 Sewell ..... A47B 95/00  
2020/0375362 A1\* 12/2020 Hale ..... A47C 4/28  
2021/0000258 A1\* 1/2021 Nelson ..... F16B 1/00  
2021/0068547 A1\* 3/2021 Hodgson ..... A47C 4/021  
2021/0274942 A1\* 9/2021 Ha ..... A47C 4/028

\* cited by examiner

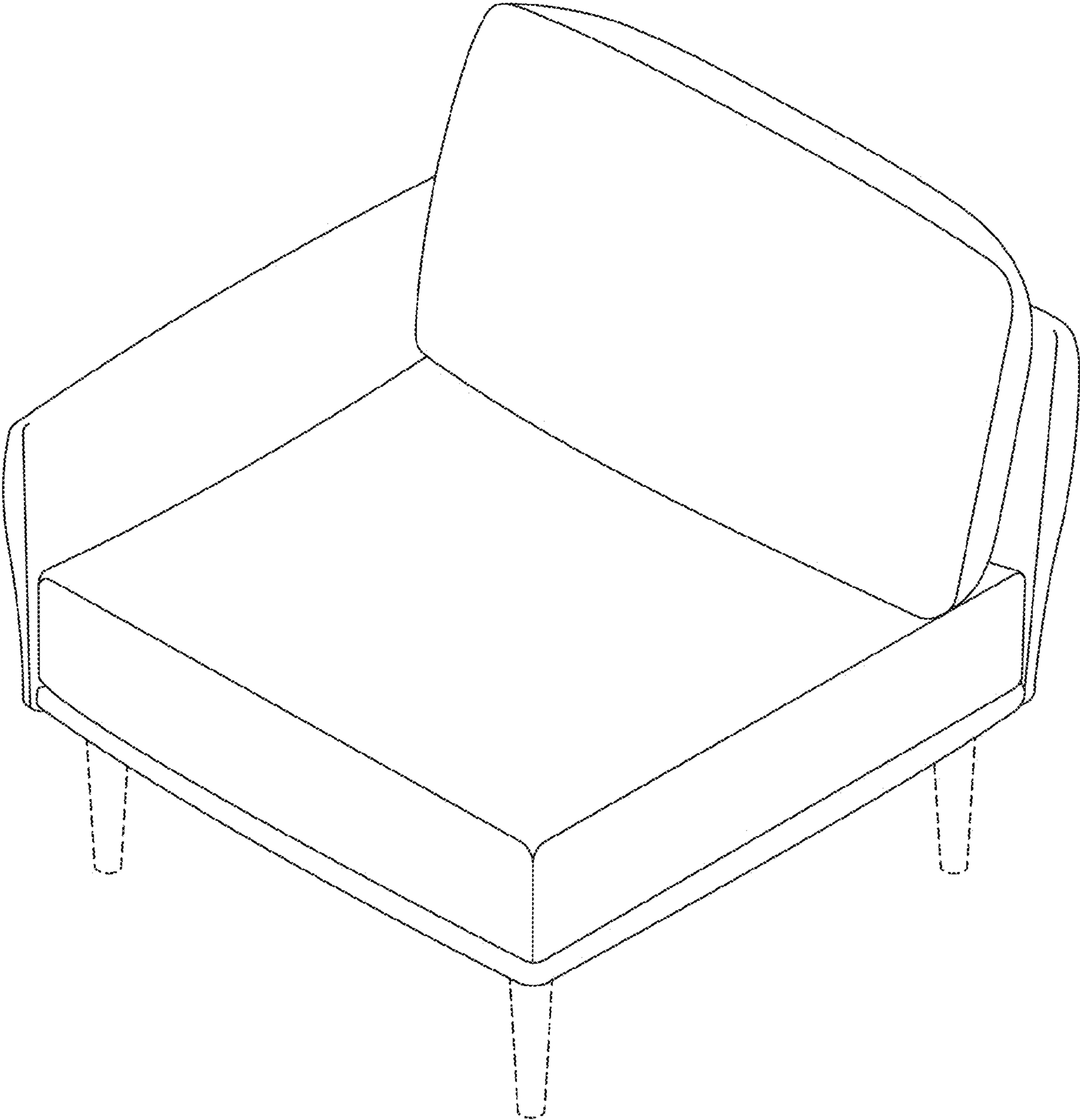


FIG. 1

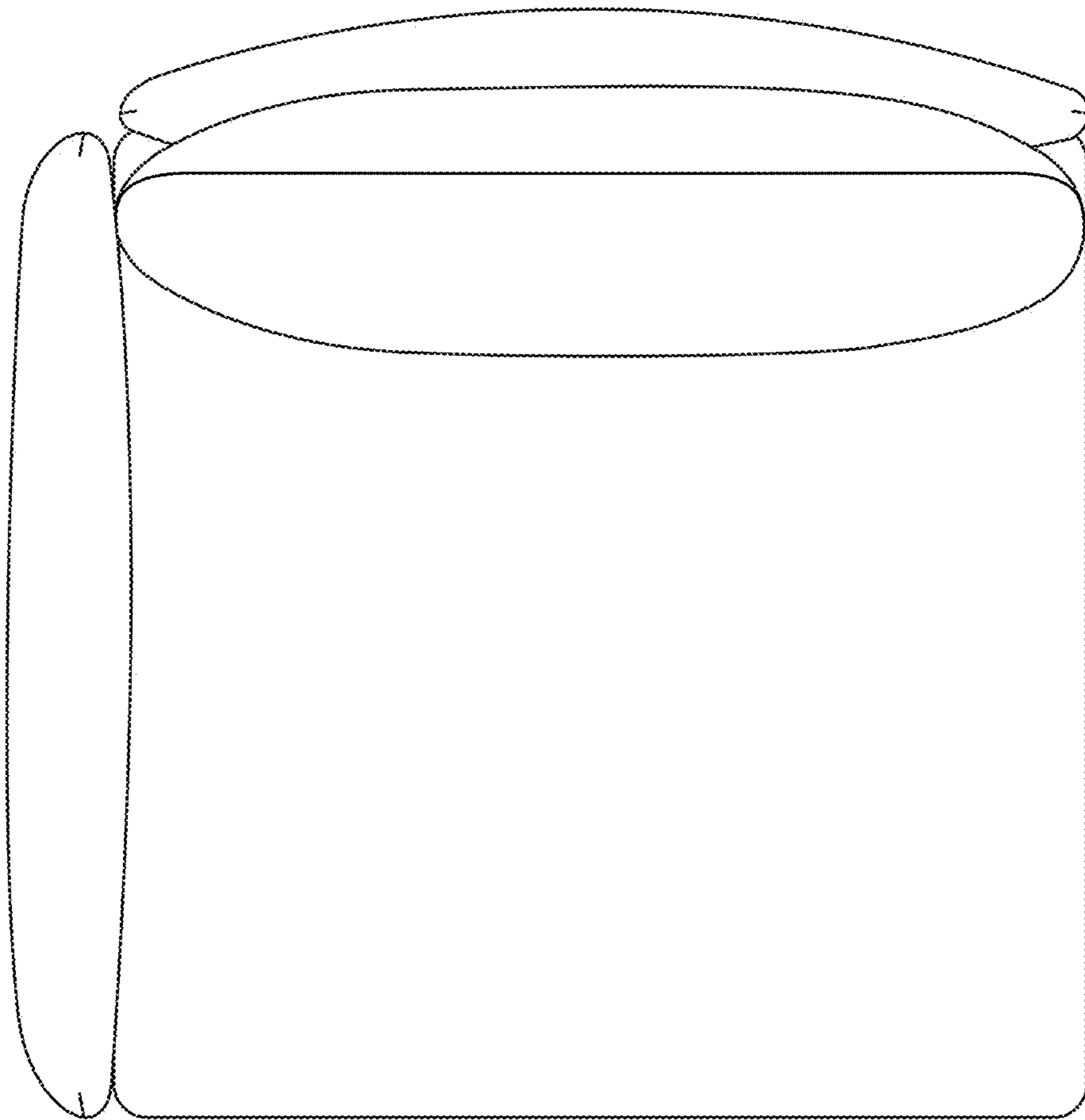


FIG. 2

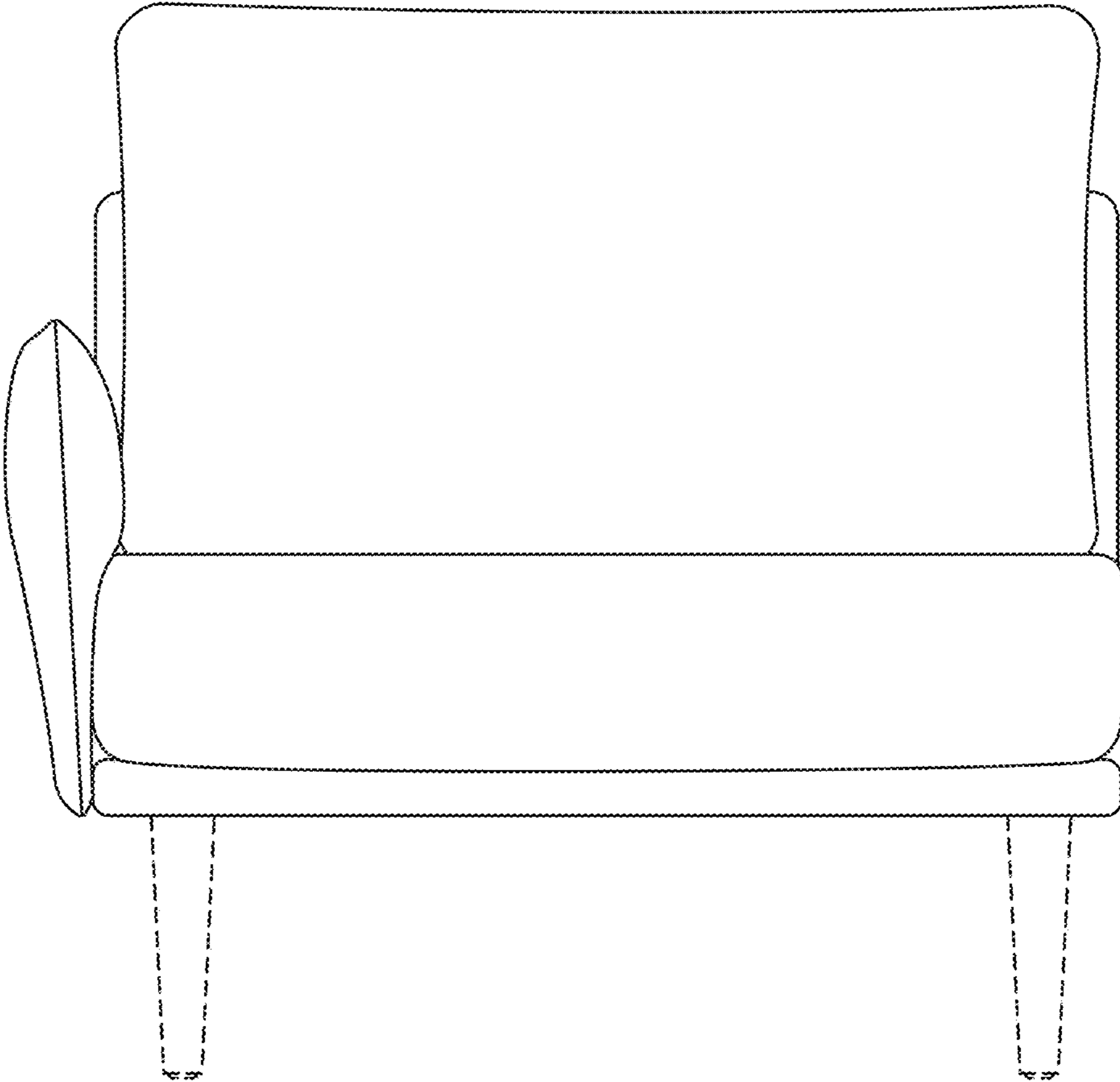


FIG. 3

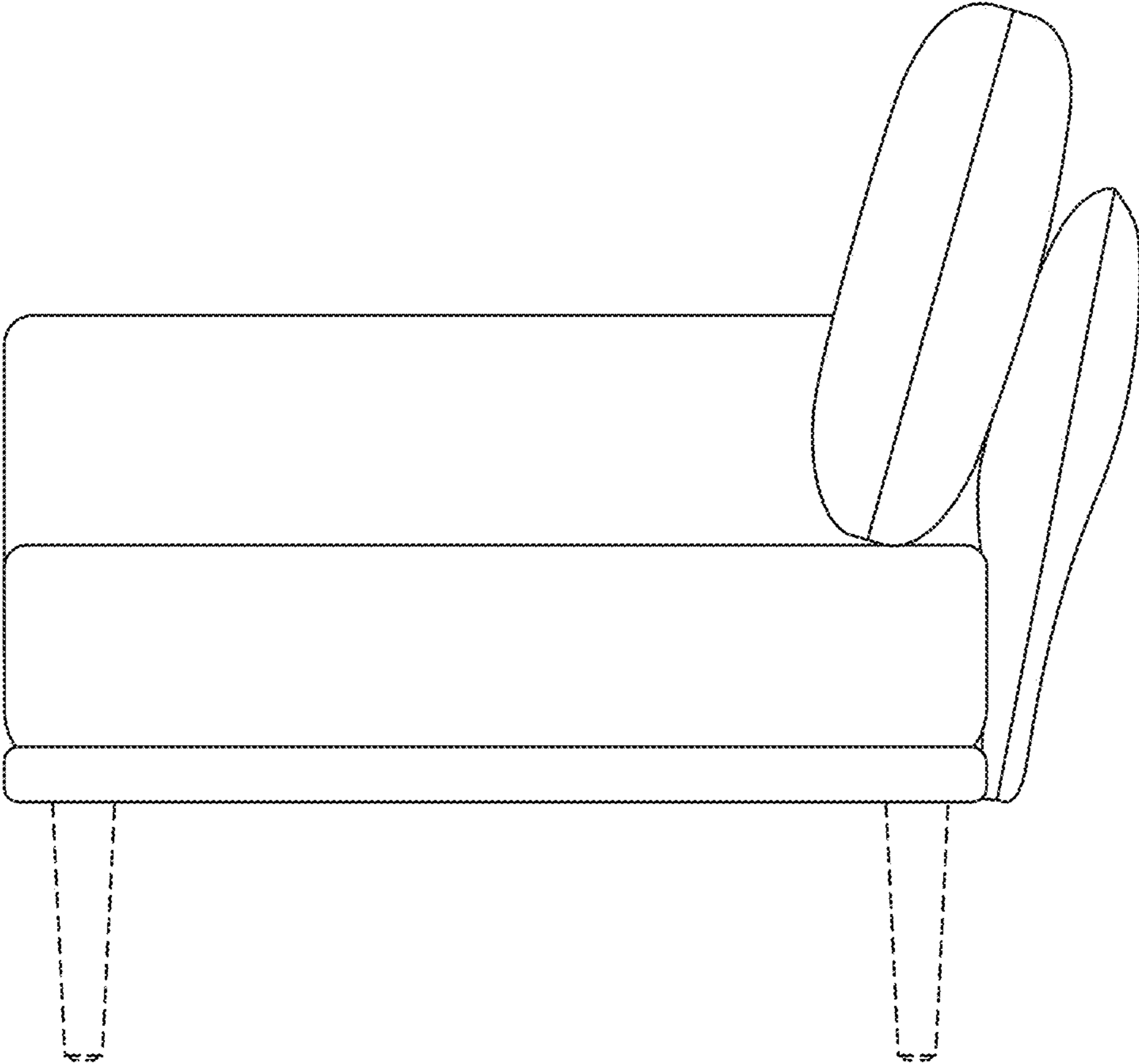


FIG. 4

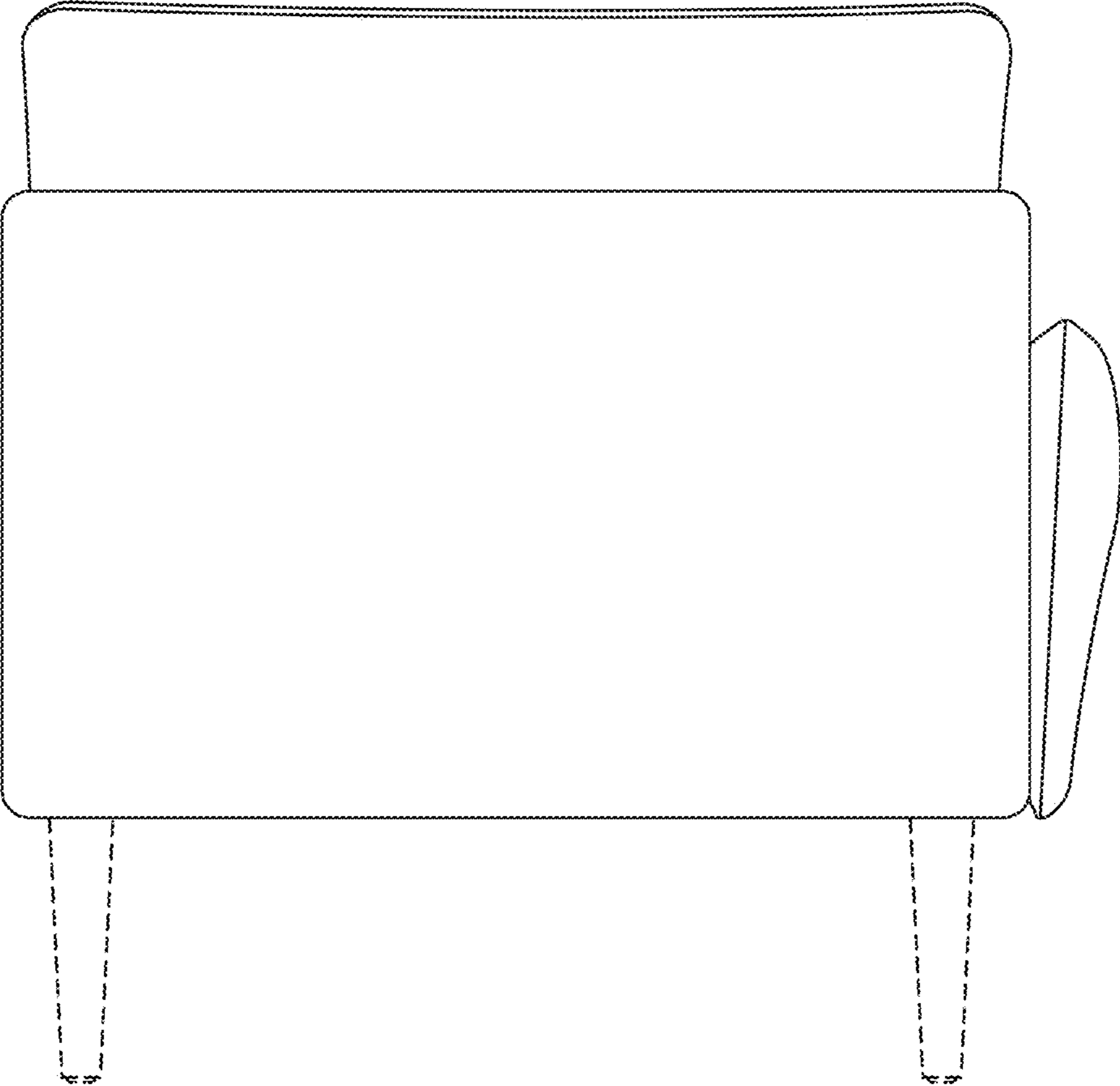


FIG. 5

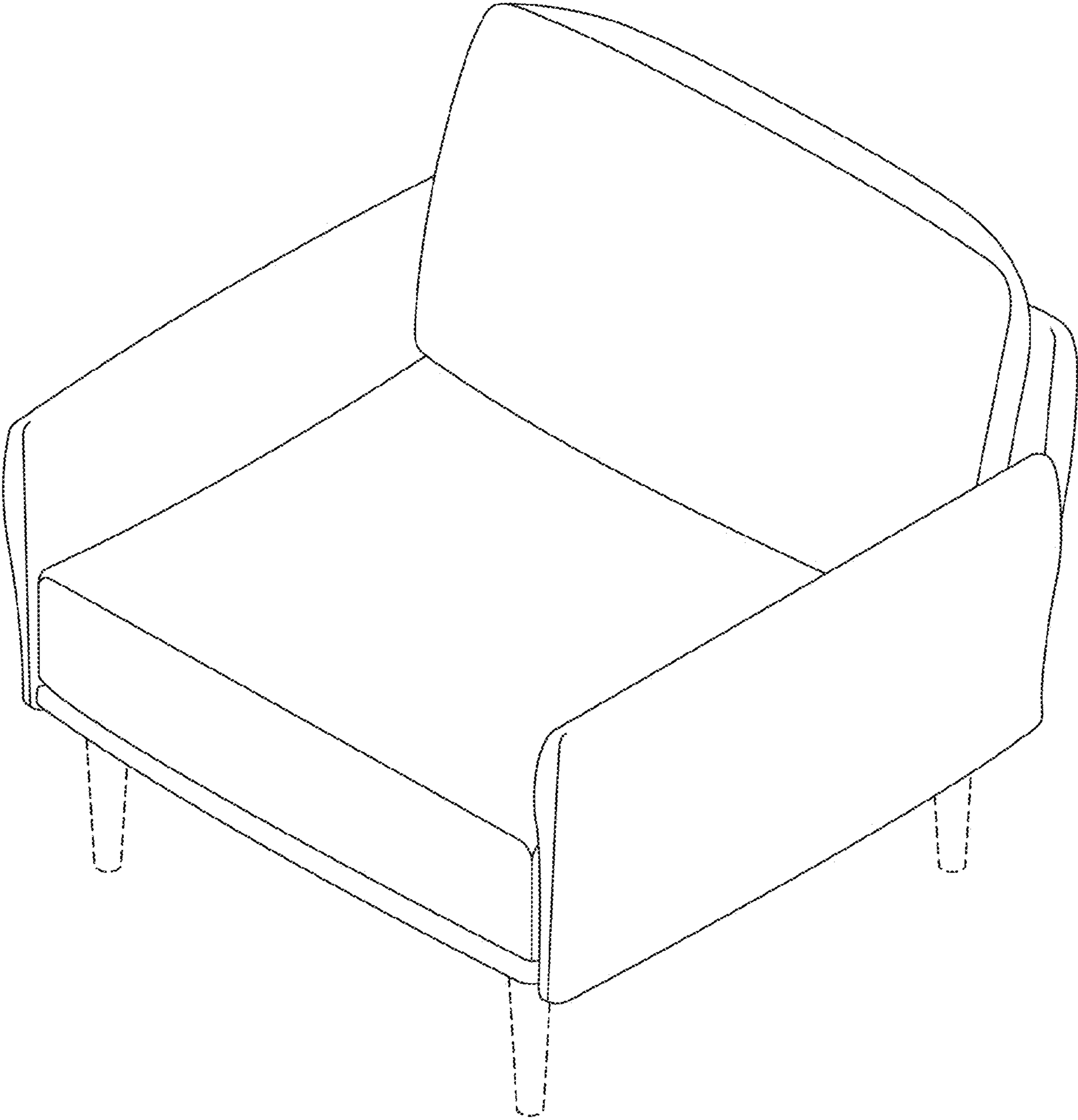


FIG. 6



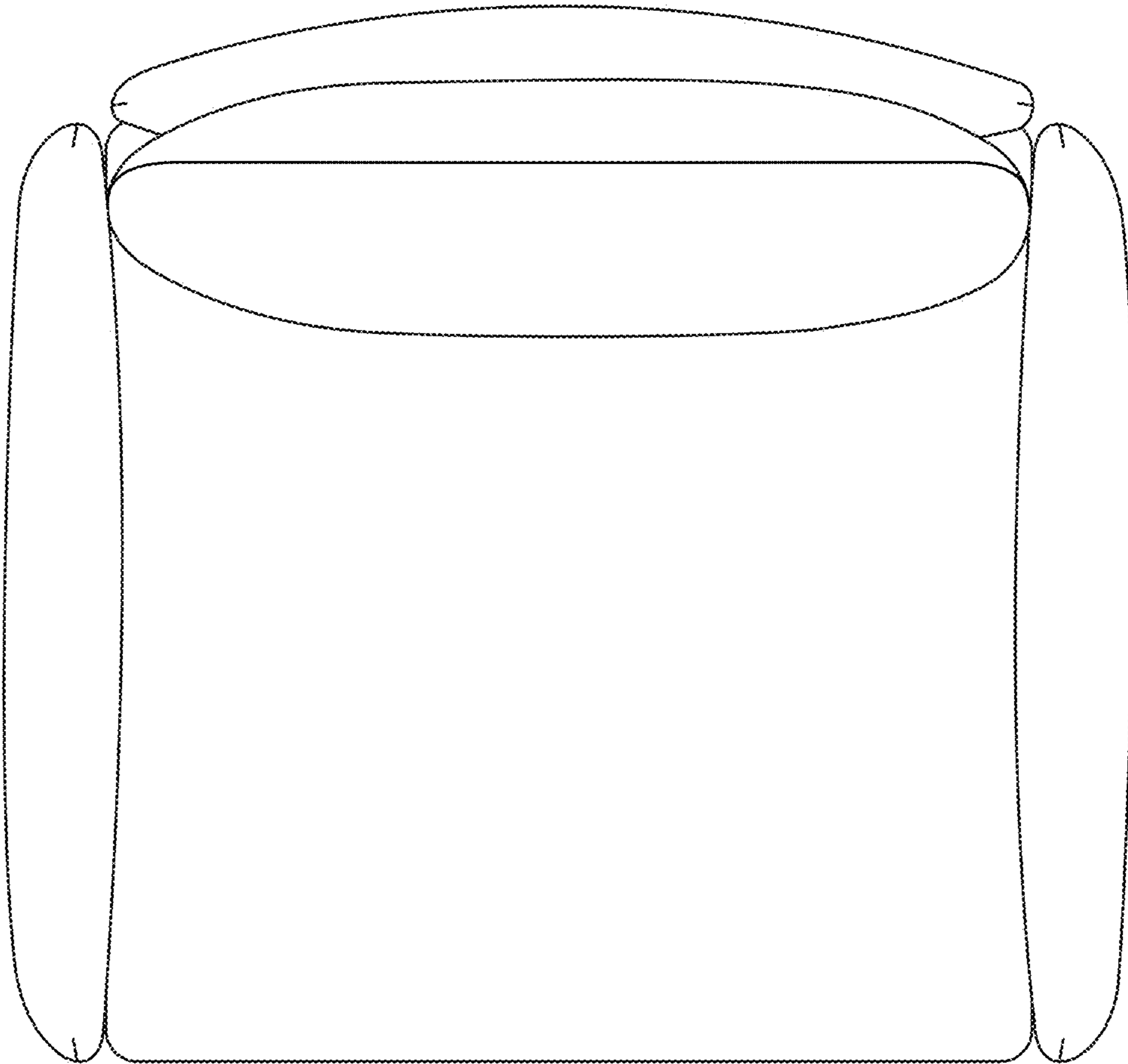


FIG. 7

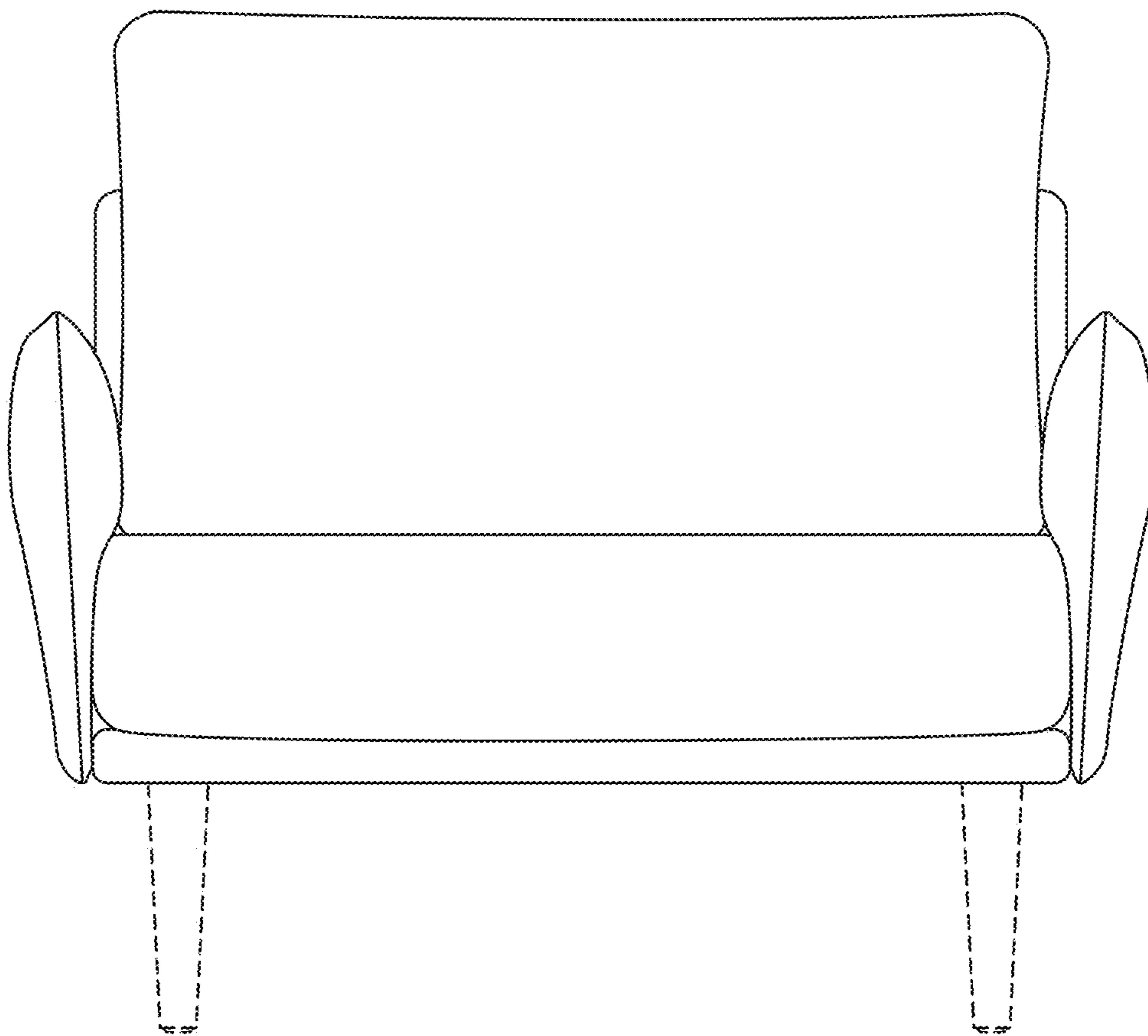


FIG. 8

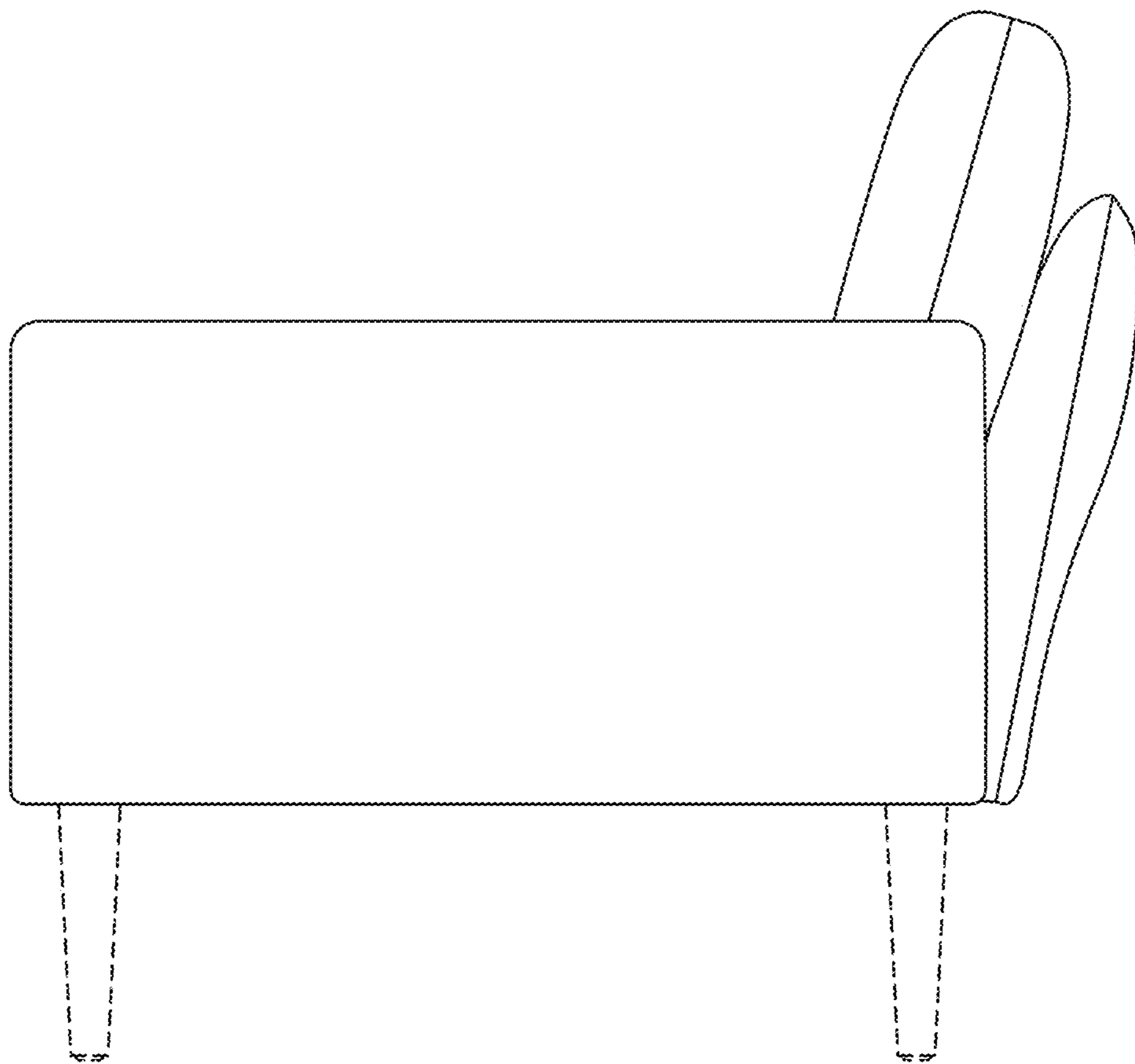


FIG. 9

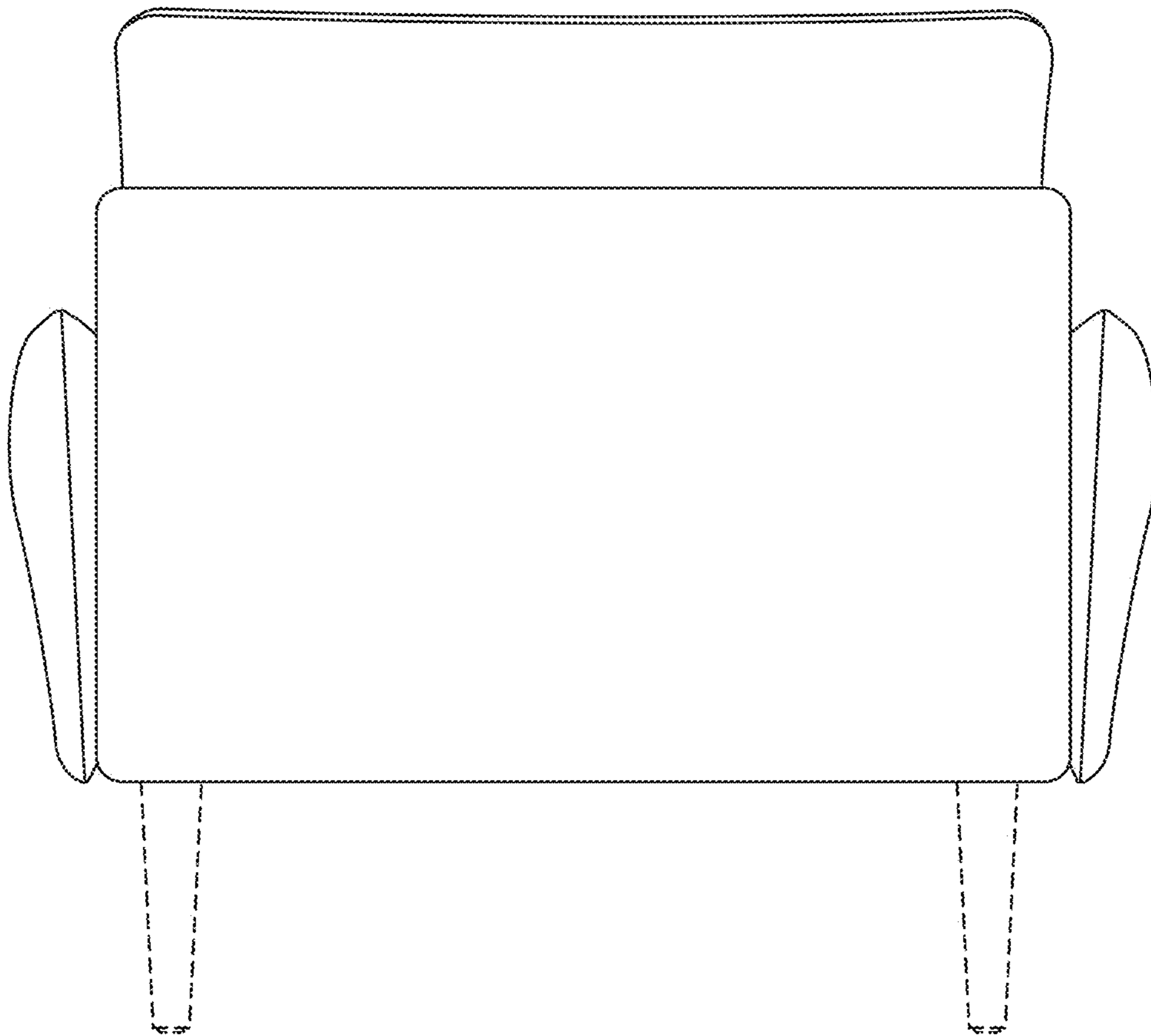


FIG. 10