



US00D958557S

(12) **United States Design Patent** (10) **Patent No.:** **US D958,557 S**
Fleischman (45) **Date of Patent:** **** Jul. 26, 2022**

(54) **FOLDABLE STEPPING STOOL**

(71) Applicant: **Eli Fleischman**, Passaic, NJ (US)

(72) Inventor: **Eli Fleischman**, Passaic, NJ (US)

(**) Term: **15 Years**

(21) Appl. No.: **29/745,353**

(22) Filed: **Aug. 5, 2020**

(51) **LOC (13) Cl.** **06-01**

(52) **U.S. Cl.**
USPC **D6/362; D6/350**

(58) **Field of Classification Search**
USPC D6/349, 350, 352, 353, 364, 332, 335,
D6/336, 362, 716-716.6, 344, 601-604;
D21/698

CPC A61G 5/12; A47C 7/5066; B60N 3/063;
B60N 3/06; B62J 25/00; B62J 25/06;
B63H 16/02

See application file for complete search history.

(56) **References Cited**

U.S. PATENT DOCUMENTS

472,205	A *	4/1892	Button	A47C 7/62
					297/185
2,283,600	A *	5/1942	Dodson	B60N 3/06
					280/727
D221,543	S *	8/1971	Lassen	D6/524
5,517,704	A *	5/1996	Dagostino	A47K 3/122
					4/480
5,967,255	A *	10/1999	Young	A47B 5/06
					182/91
D527,919	S *	9/2006	Sutton	D6/362
D536,889	S *	2/2007	Self	D6/362
D580,188	S *	11/2008	Self	D6/353
D591,521	S *	5/2009	Luxton	D6/362
D602,703	S *	10/2009	Luxton	D6/362
D713,161	S *	9/2014	Nelson	D6/362
D729,535	S *	5/2015	Ferm	D6/362
D784,730	S *	4/2017	Kruger	D6/574

(Continued)

OTHER PUBLICATIONS

Double Leg Height Adjustable T-Stool, available in especialneeds.com, customer review oldest date Jul. 8, 2016 Year 2016 [online], Retrieved on Nov. 16, 2021 from URL: <https://www.especialneeds.com/shop/furniture/chairs-seating/stools/double-leg-height-adjustable-t-stool.html> (Year: 2016).*

Primary Examiner — Vy N Koenig

Assistant Examiner — Michelle M Reeves

(74) *Attorney, Agent, or Firm* — Ezra Sutton; Anthony Morano

(57) **CLAIM**

The ornamental design for a foldable stepping stool, as shown and described.

DESCRIPTION

FIG. 1 is a front perspective view of a foldable stepping stool embodying my new design;

FIG. 2 is a bottom view of the hinge, stepping stool, and the adjustable legs;

FIG. 3 is a front view thereof;

FIG. 4 is a rear view thereof;

FIG. 5 is a left side view thereof; and

FIG. 6 is a right side view thereof;

FIG. 7 is a top view thereof;

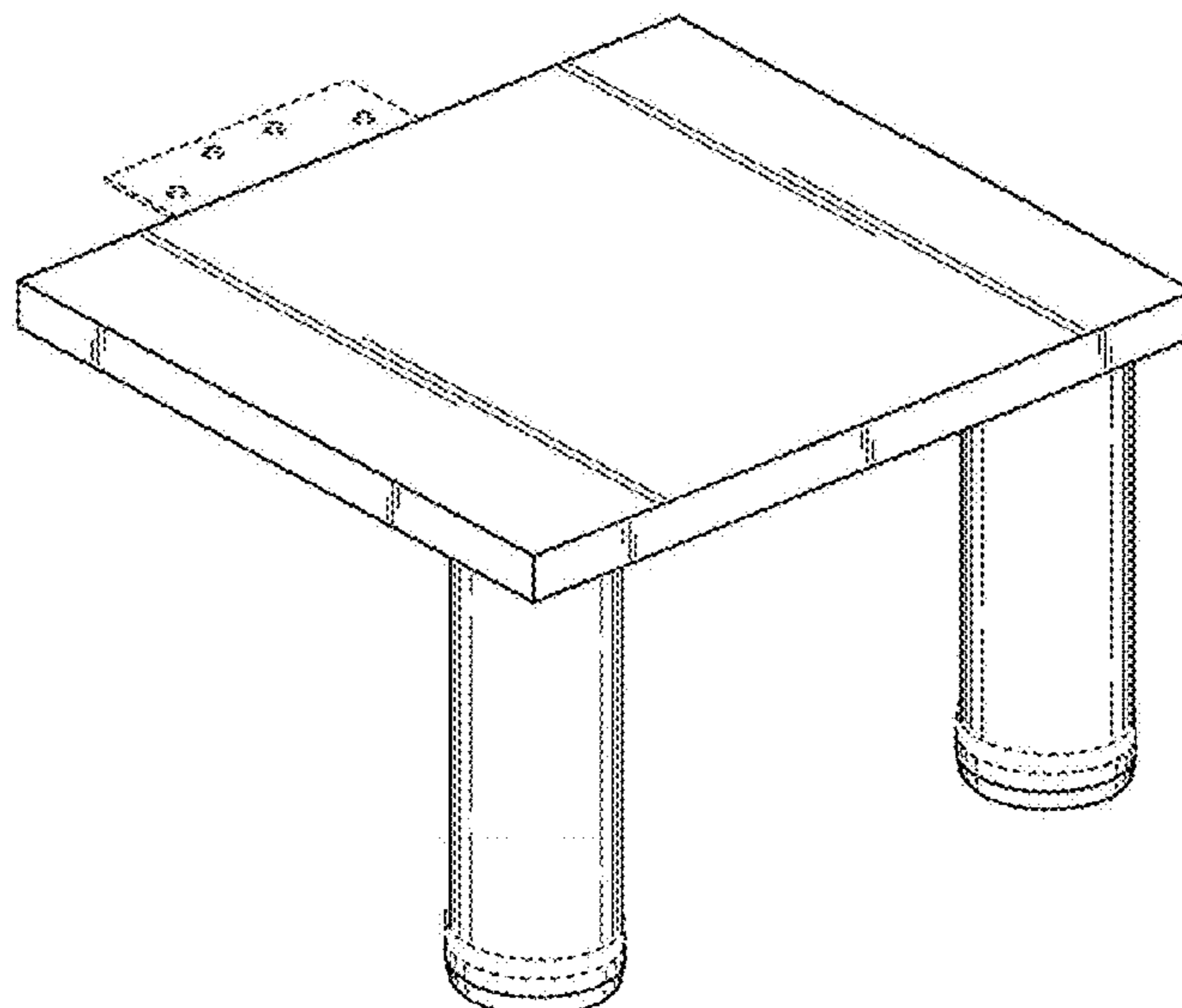
FIG. 8 is a bottom view thereof;

FIG. 9 is a perspective view of the stepping stool in the unfolded use position; and,

FIG. 10 is a perspective view of the stepping stool also in the unfolded use position, with the height of the legs shown adjusted.

The evenly dashed broken lines in the drawings depict features of the foldable stepping stool, specifically a hinge, adjustments and hardware, which form no part of the claimed design. The long dash/short dash lines in FIGS. 9 and 10 depict environment and form no part of the claimed design.

1 Claim, 10 Drawing Sheets



(56)

References Cited

U.S. PATENT DOCUMENTS

9,883,741 B2 *	2/2018	Demasi, III	A47B 97/00
D856,063 S *	8/2019	Lauther	D7/388
2009/0224591 A1 *	9/2009	Langhorn	A47D 11/02 297/423.39

* cited by examiner

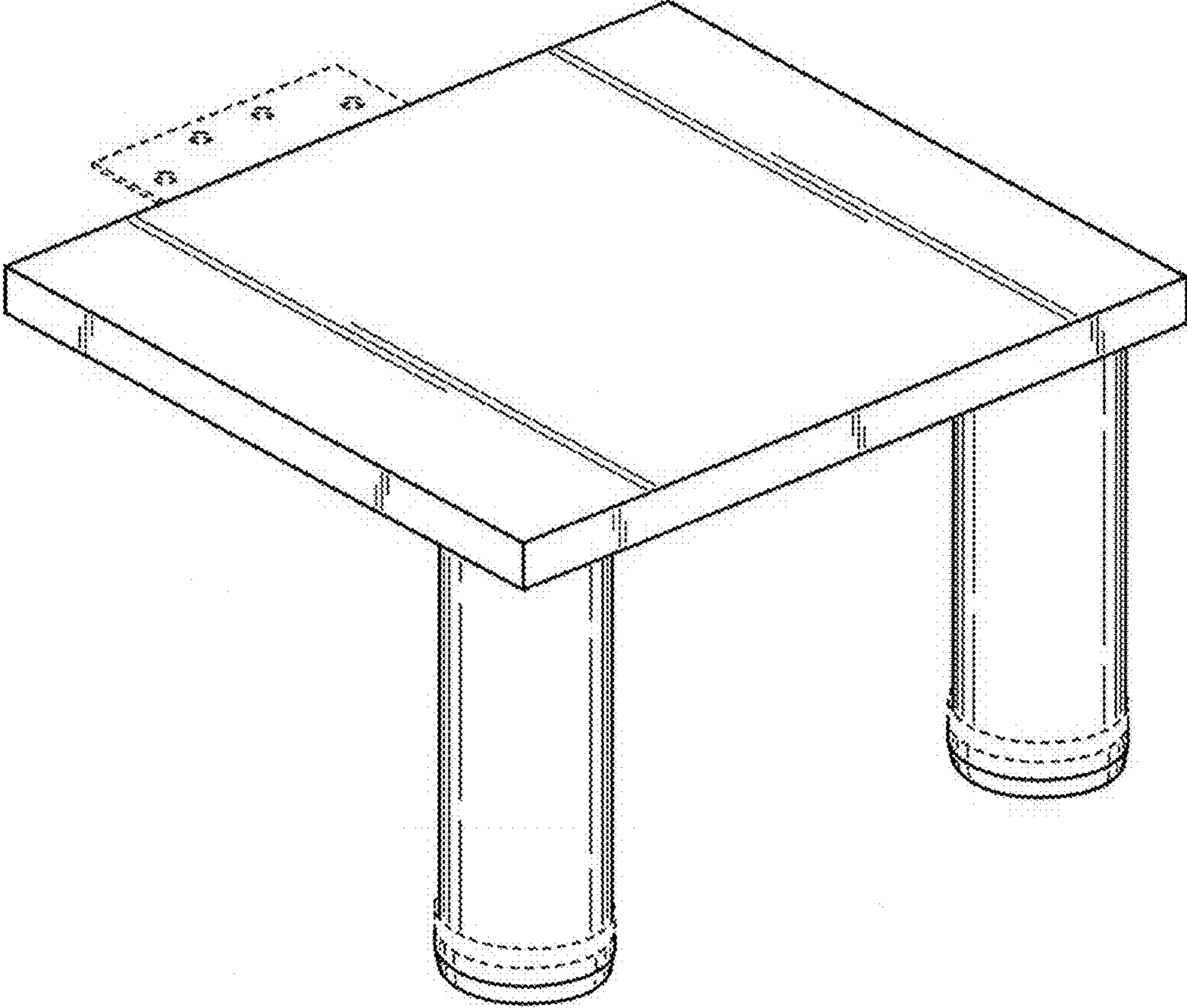


FIG. 1

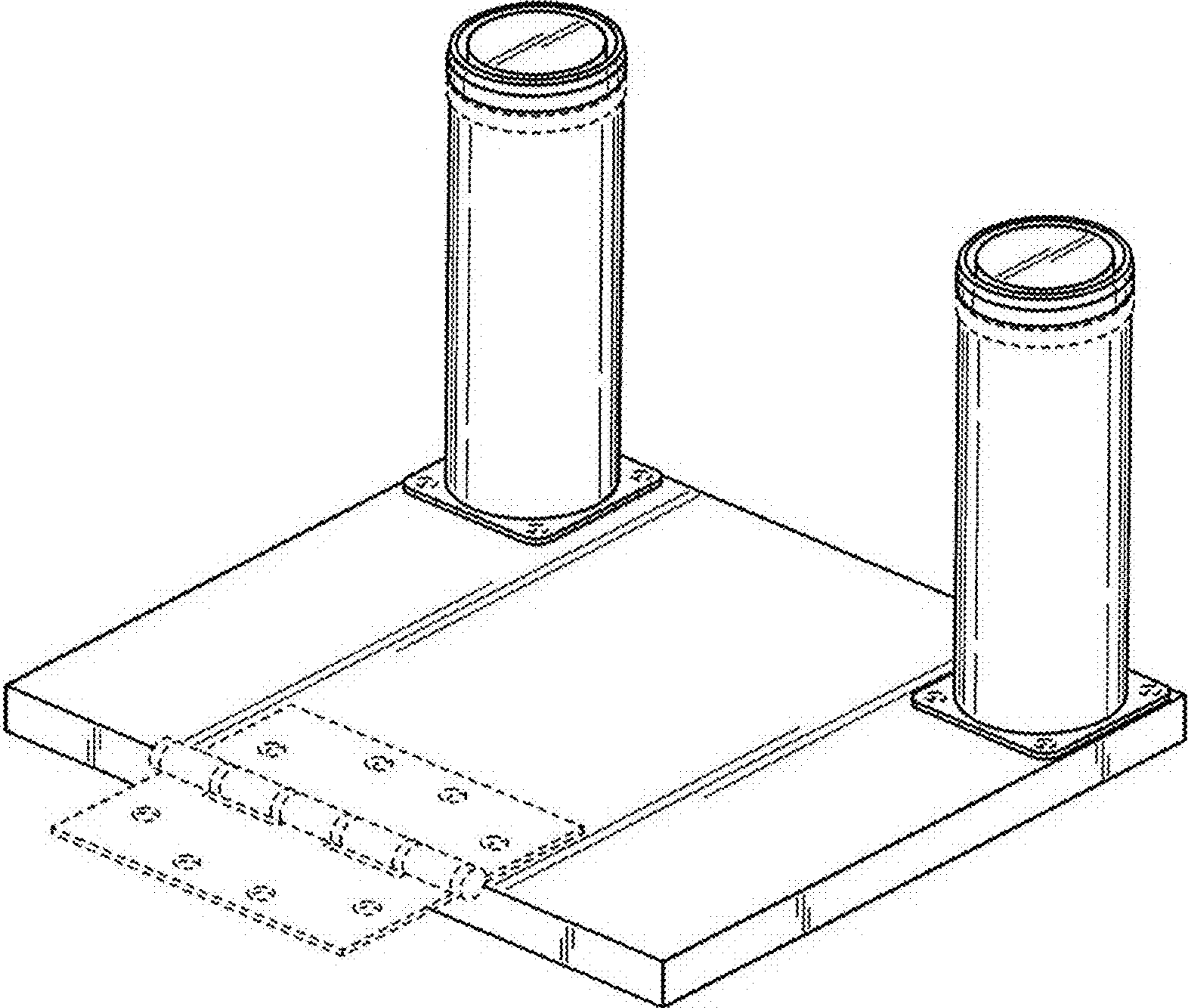


FIG. 2

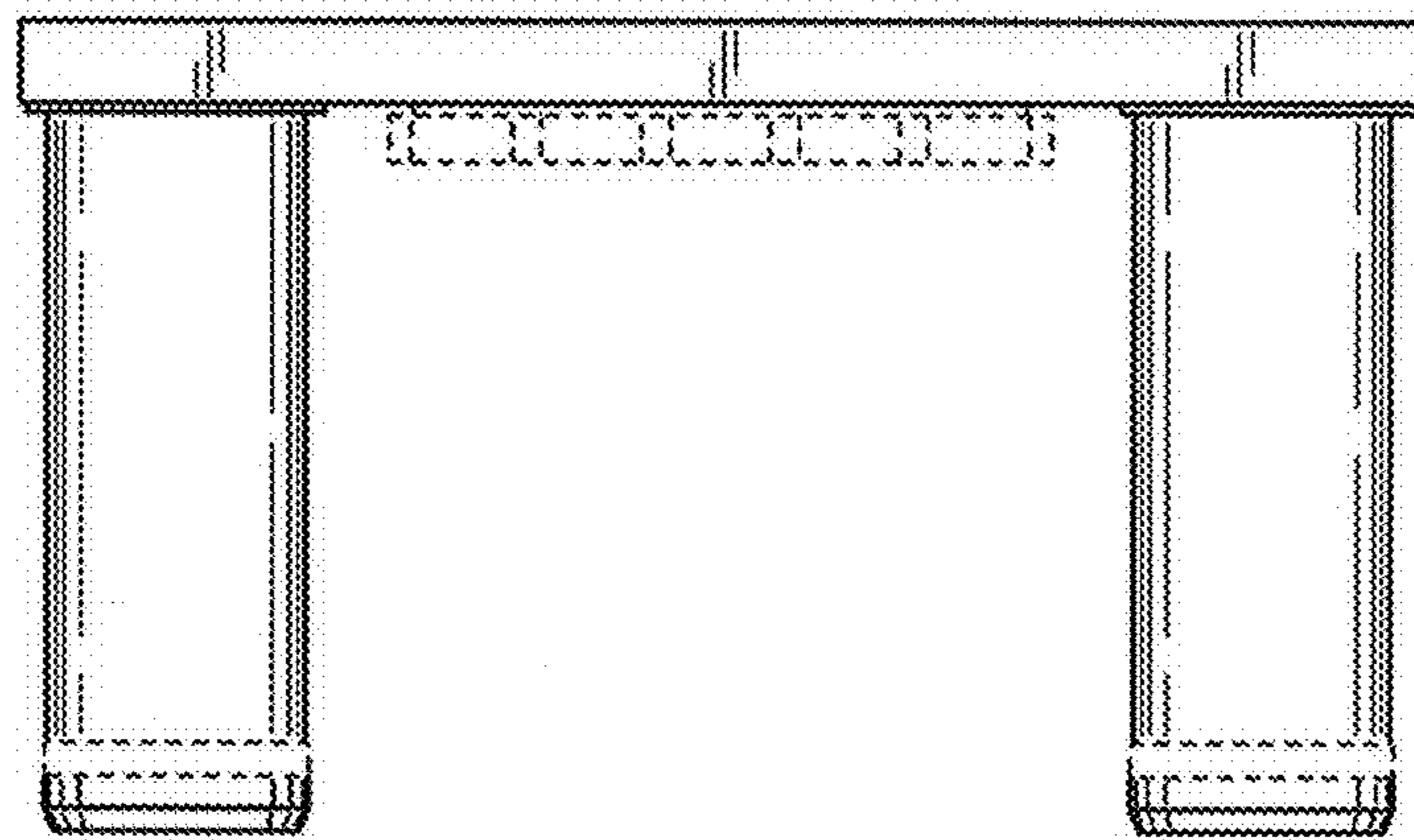


FIG. 3

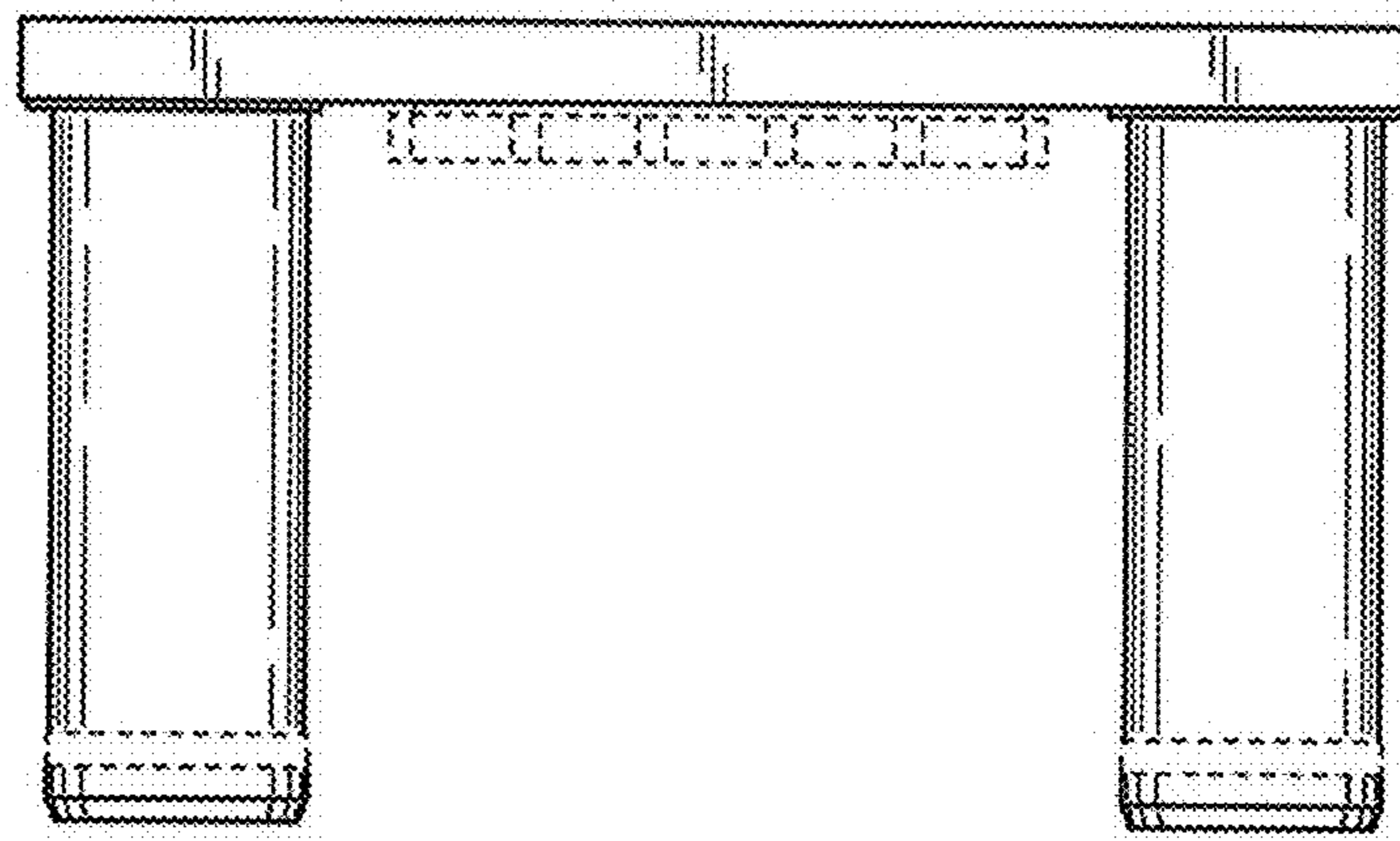


FIG. 4

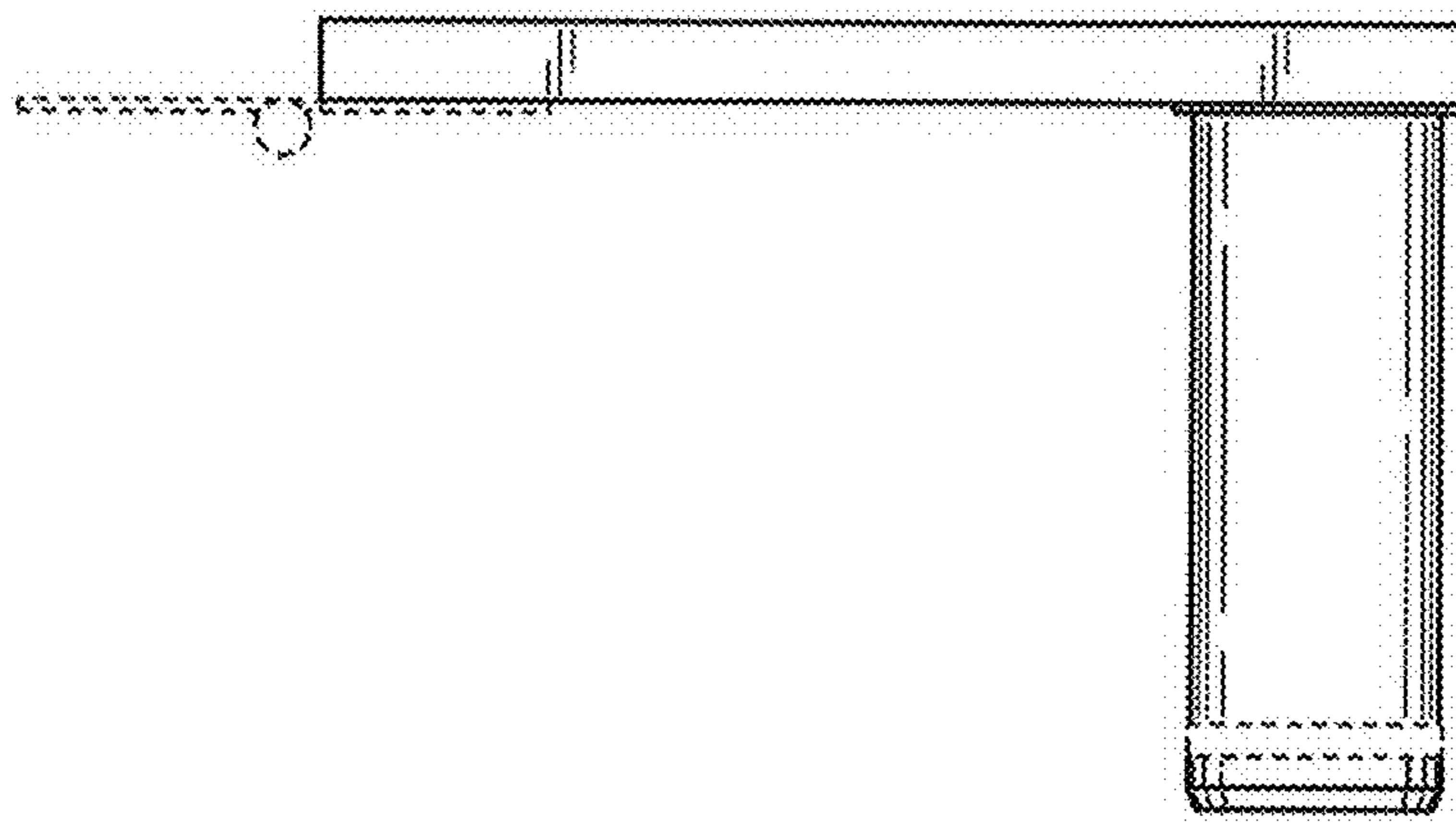


FIG. 5

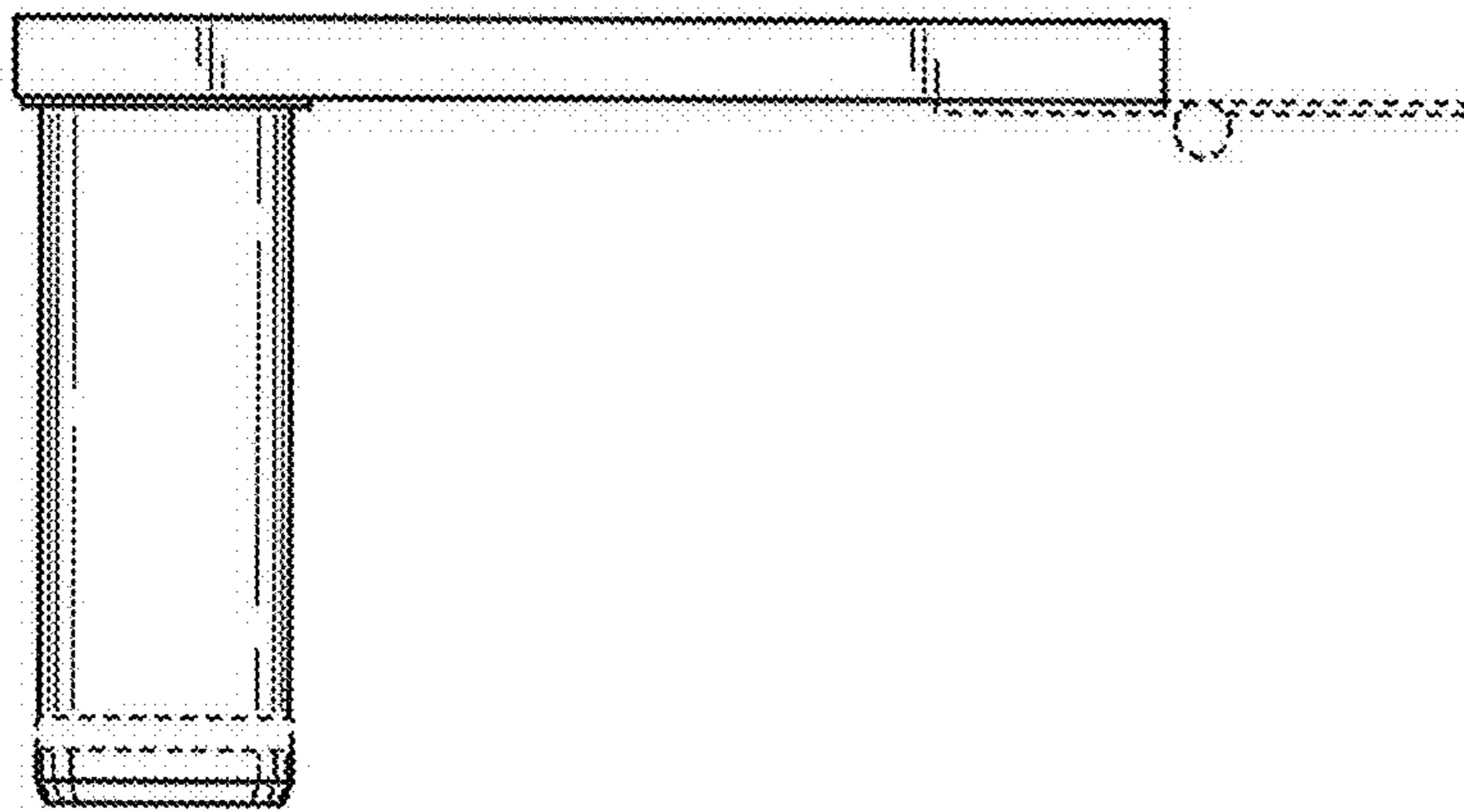


FIG. 6

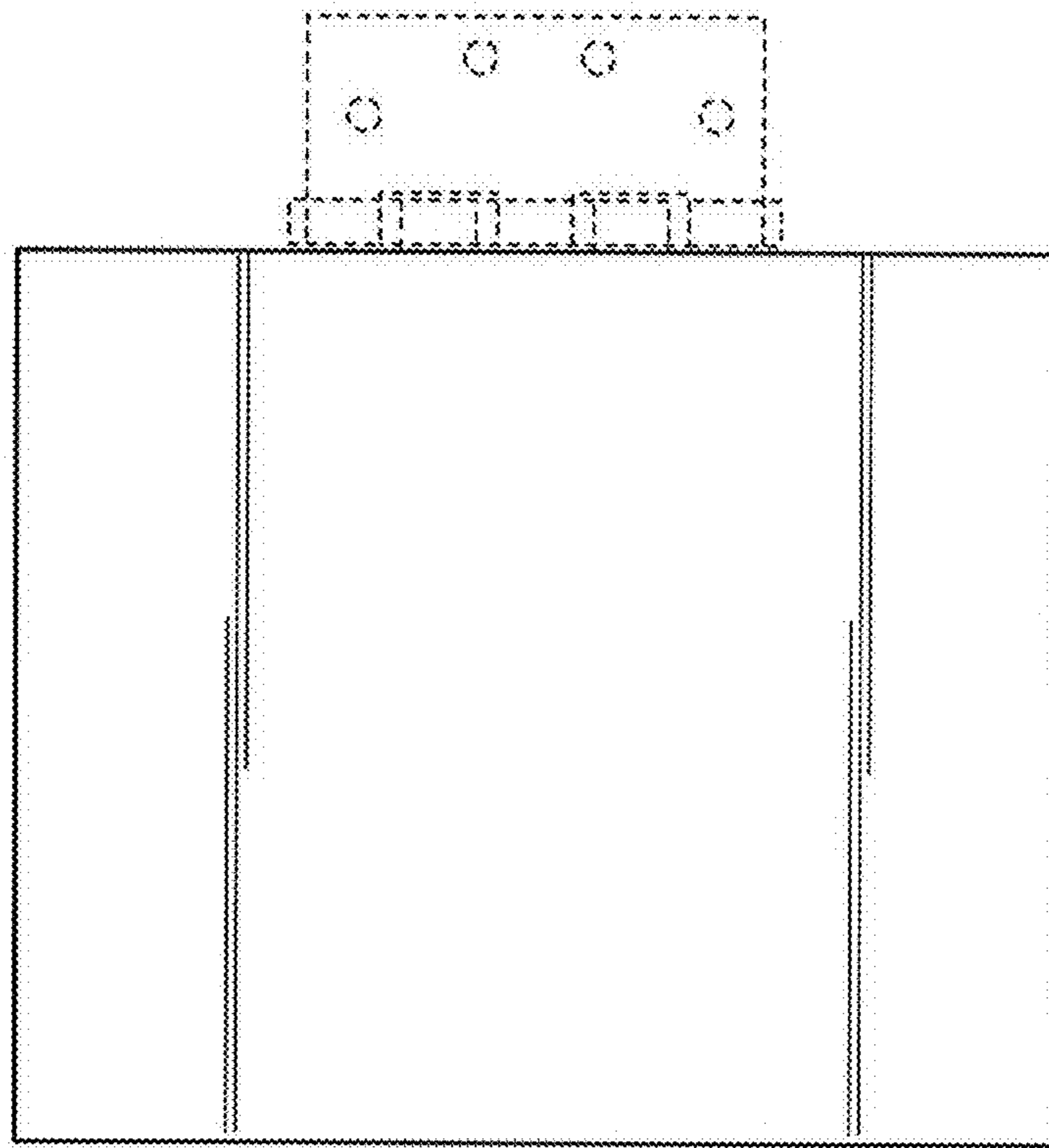


FIG. 7

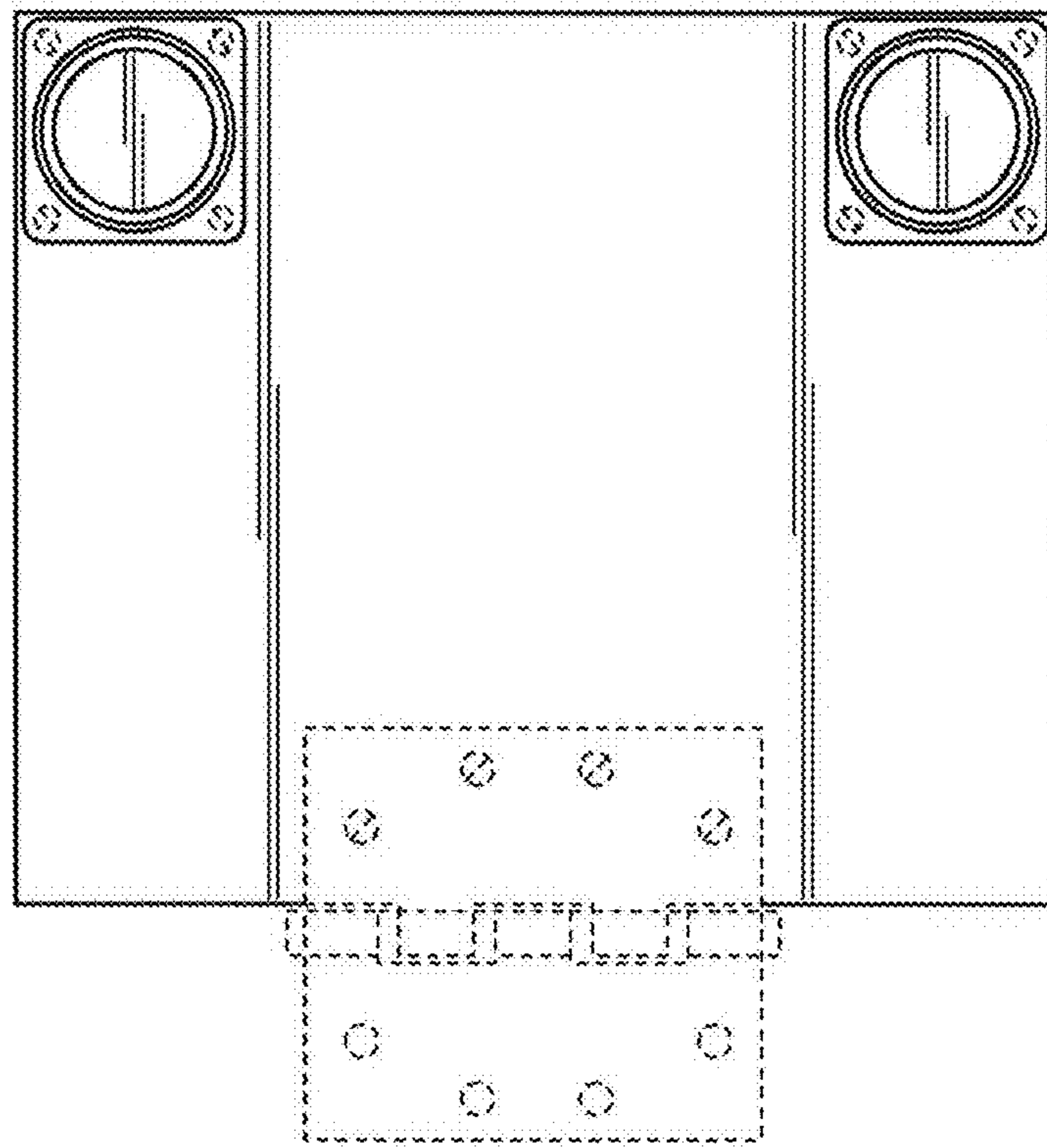


FIG. 8

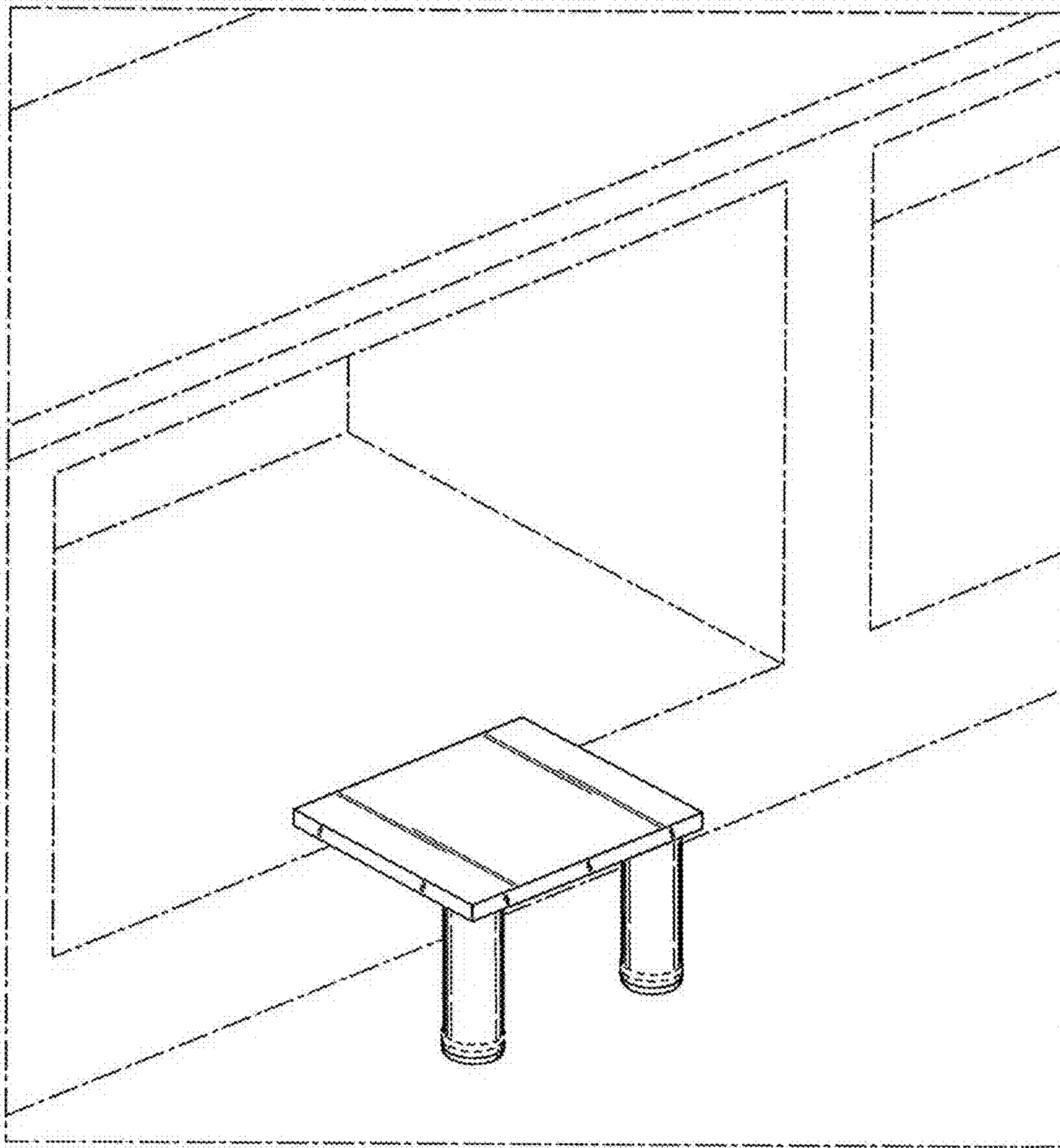


FIG. 9

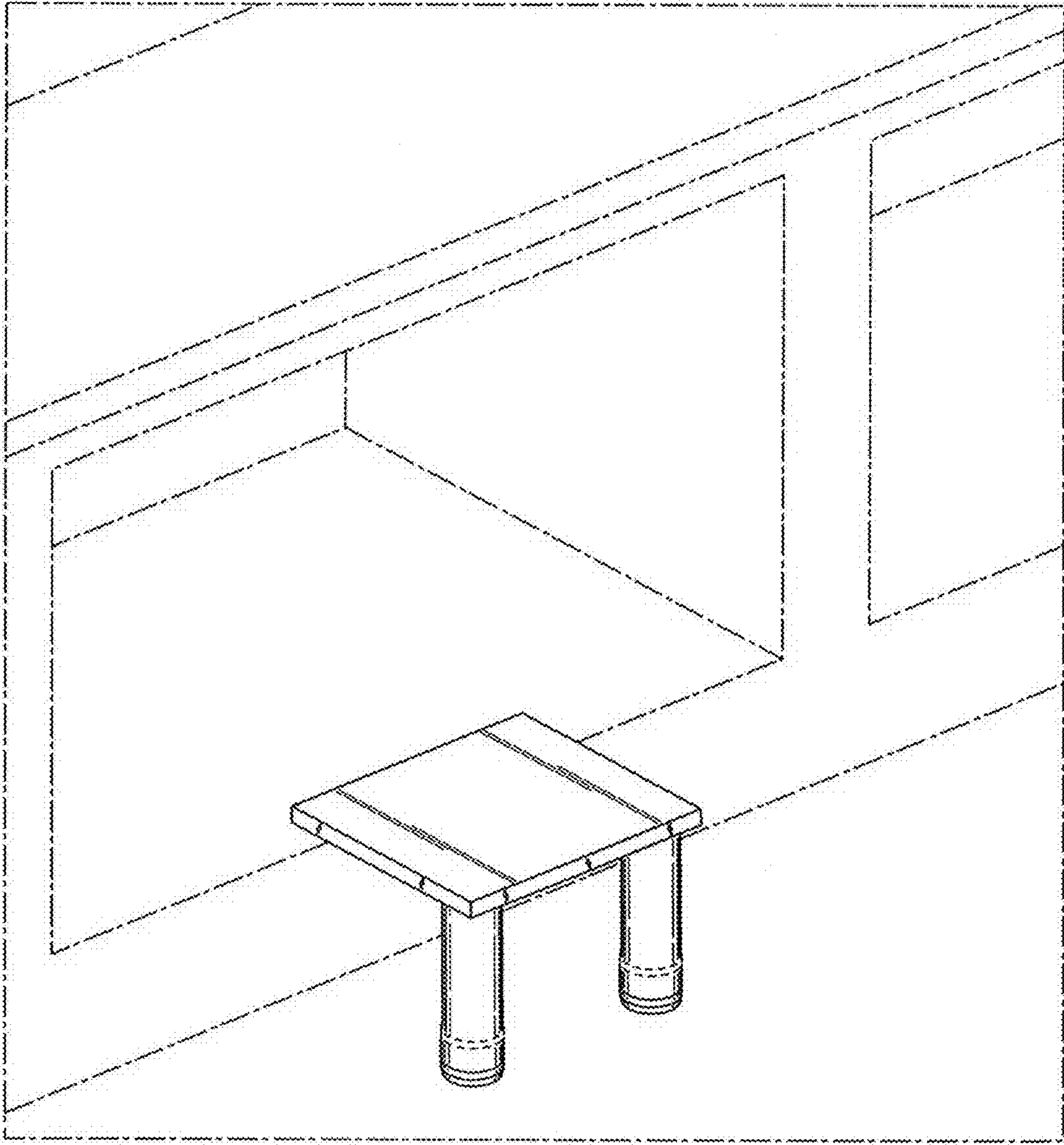


FIG. 10