



US00D958555S

(12) **United States Design Patent**
Xiao

(10) **Patent No.:** **US D958,555 S**

(45) **Date of Patent:** **** Jul. 26, 2022**

(54) **SUN LOUNGER**

(71) Applicant: **TAIZHOU SUKK FURNITURE CO., LTD**, Taizhou (CN)

(72) Inventor: **Shuangshuang Xiao**, Taizhou (CN)

(73) Assignee: **TAIZHOU SUKK FURNITURE CO., LTD**, Taizhou (CN)

(**) Term: **15 Years**

(21) Appl. No.: **29/716,405**

(22) Filed: **Dec. 10, 2019**

(51) **LOC (13) Cl.** **06-01**

(52) **U.S. Cl.**
USPC **D6/361**

(58) **Field of Classification Search**
USPC D6/333, 334, 344, 348, 349, 350, 355,
D6/360, 361, 364, 366, 367, 369, 370,
D6/374, 375, 379, 380, 381, 716, 716.4
CPC A47C 1/02; A47C 1/022; A47C 1/024;
A47C 1/032; A47C 1/03255; A47C 1/11;
A47C 1/143; A47C 3/18; A47C 3/02;
A47C 3/025; A47C 3/026; A47C 7/002;
A47C 7/004; A47C 7/18; A47C 7/185;
A47C 7/36; A47C 7/46; A47C 9/007;
A47C 11/00; A47C 11/005

See application file for complete search history.

(56) **References Cited**

U.S. PATENT DOCUMENTS

3,737,926 A * 6/1973 Hermanson A47C 1/143
5/112
D259,679 S * 6/1981 Sroub D6/361
D282,415 S * 2/1986 Sheridan D6/361
D332,705 S * 1/1993 Rougerie D6/361
D334,486 S * 4/1993 Brown D6/361
D414,049 S * 9/1999 van Rhienen D6/361
D454,439 S * 3/2002 Hutton D6/361
D486,969 S * 2/2004 Weaver D6/361

D514,336 S * 2/2006 Spector D6/361
D545,075 S * 6/2007 Hunziker D6/361
D657,150 S * 4/2012 Hughes D6/361
D825,944 S * 8/2018 Vermeulen D6/361
10,136,728 B2 * 11/2018 Ben-Haim A47C 1/143
2018/0255929 A1 * 9/2018 Ben-Haim A47C 1/143

OTHER PUBLICATIONS

Amazon.com. https://www.amazon.com/Folding-Foldable-Adjustable-Sunlounger-Resistant/dp/B088PH553X/ref=sr_1_219?crd=1FXBZB6CBQRJW&keywords=chaise+lounger&qid=1646963646&prefix=chaise+lounger%2Caps%2C93&sr=8-219. "Folding Sun Lounger". May 16, 2020 (Year: 2020).*

* cited by examiner

Primary Examiner — R. Johnson

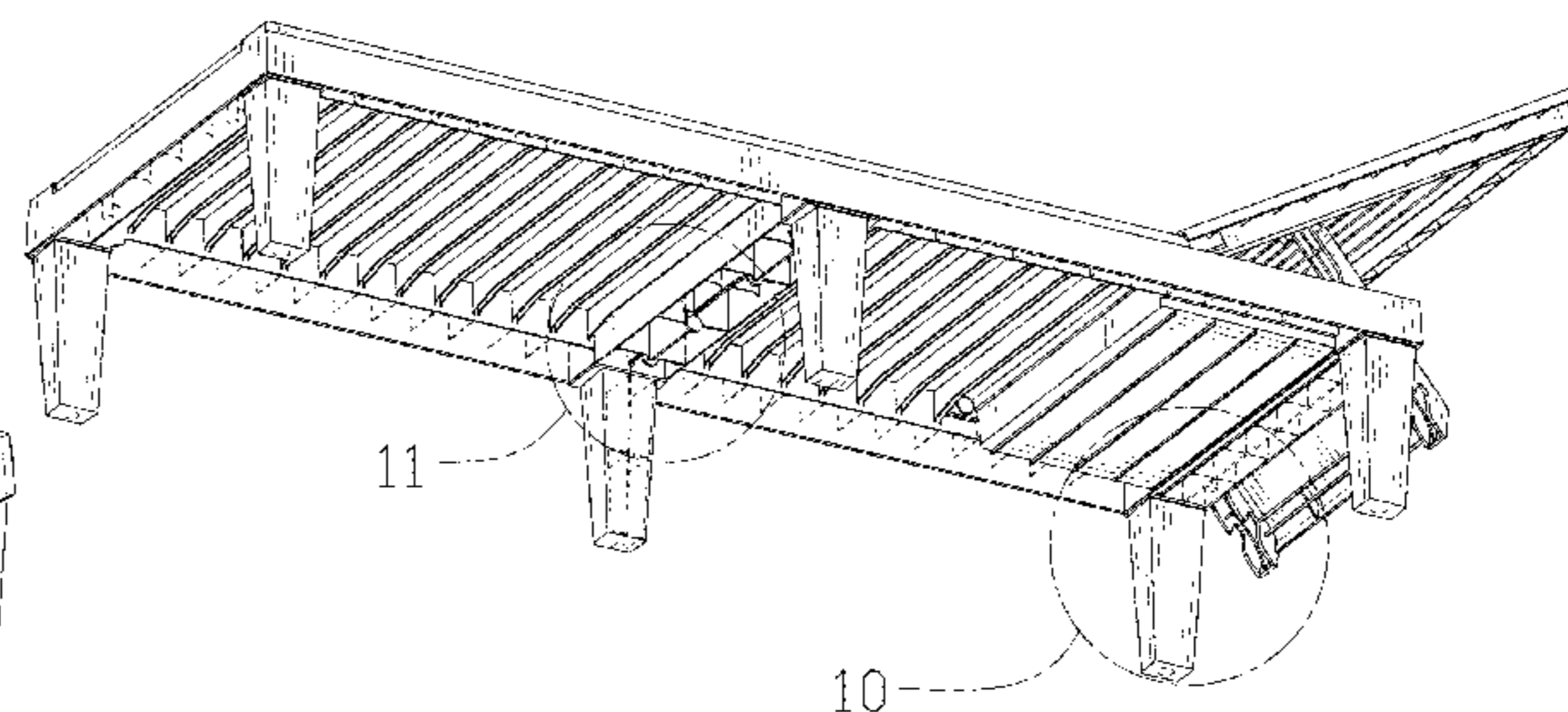
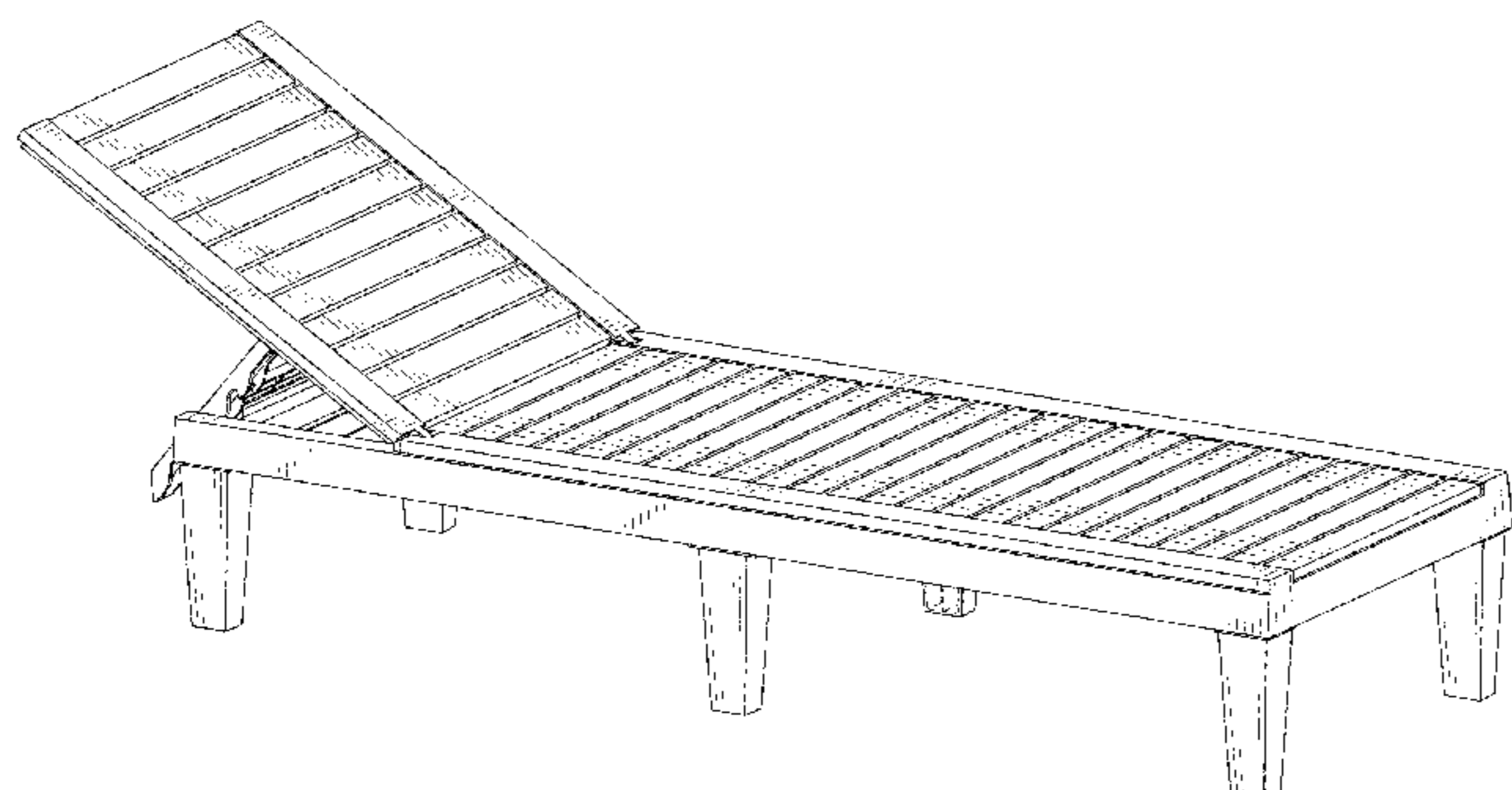
(57) **CLAIM**

The ornamental design for a sun lounger, as shown and described.

DESCRIPTION

FIG. 1 is a top, front perspective view of a sun lounger showing my new design;
FIG. 2 is a bottom perspective view thereof;
FIG. 3 is a top plan view thereof;
FIG. 4 is a bottom plan view thereof;
FIG. 5 is a left side elevational view thereof;
FIG. 6 is a right side elevational view thereof;
FIG. 7 is a rear elevational view thereof;
FIG. 8 is a front elevational view thereof;
FIG. 9 is a top, front perspective view of the sun lounger, the back rest shown laid flat in an alternate configuration;
FIG. 10 is an enlarged, detailed view of the portion taken at line-10 in FIG. 2; and,
FIG. 11 is an enlarged, detailed view of the portion taken at line-11 in FIG. 2.
The broken lines in the drawings depict portions of the sun lounger that form no part of the claimed design.

1 Claim, 11 Drawing Sheets



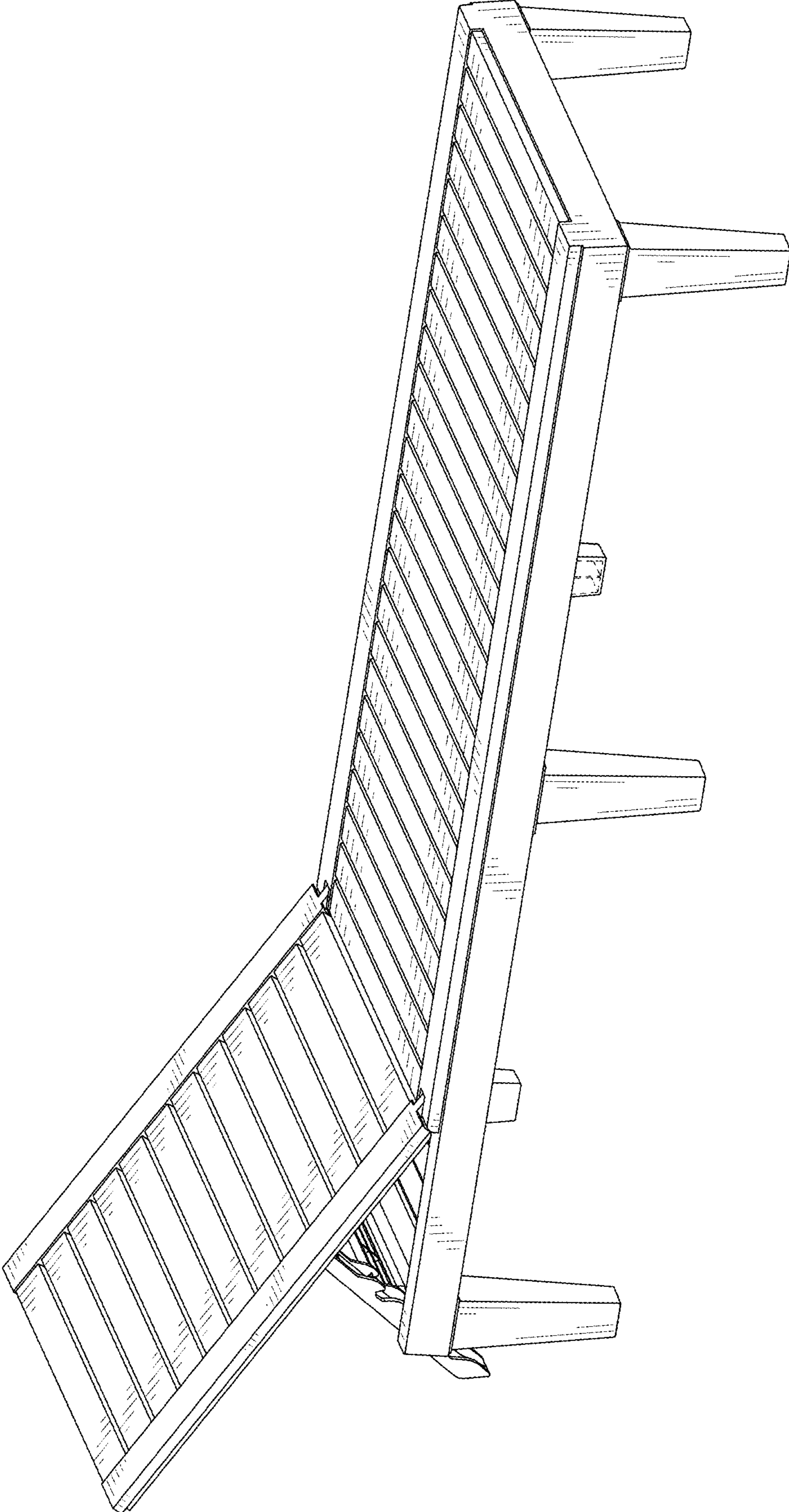


FIG. 1

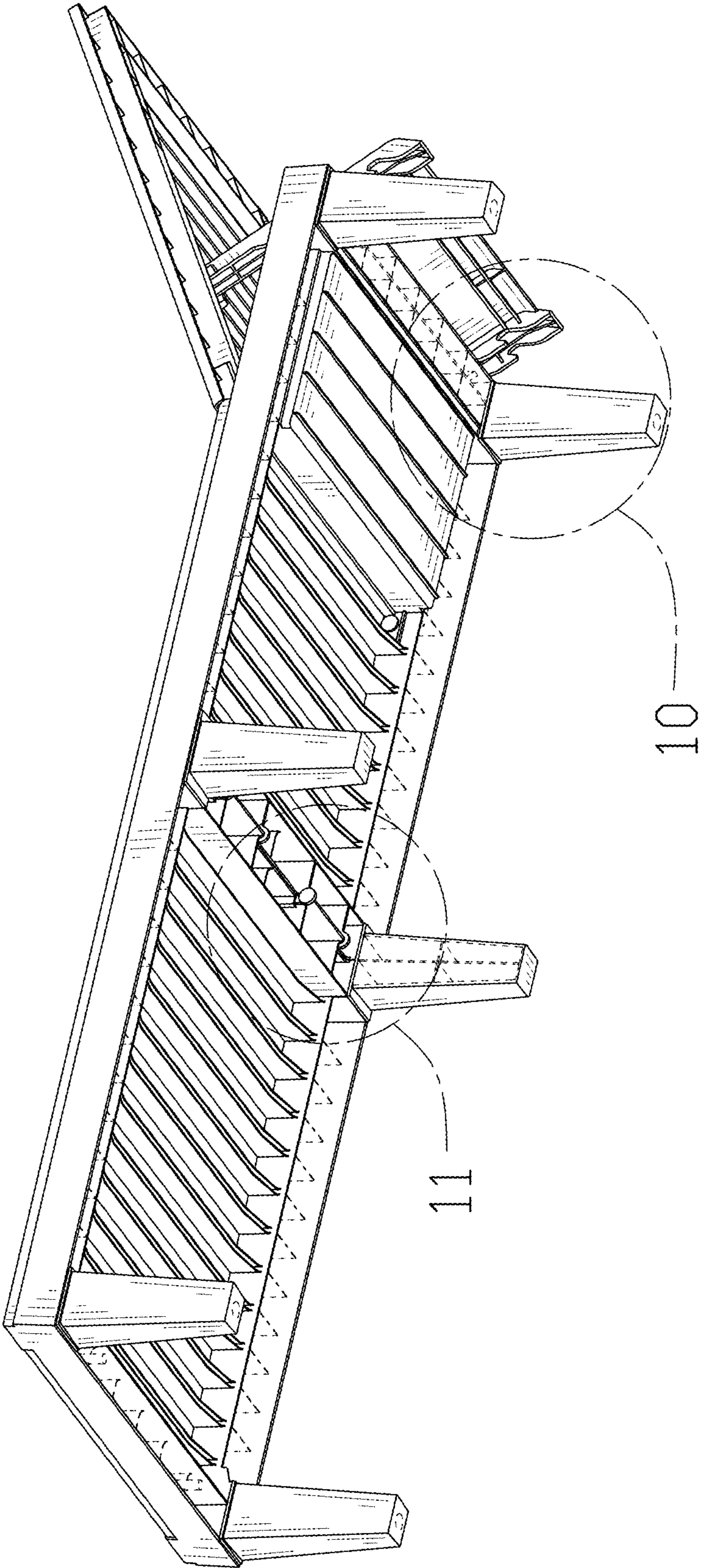


FIG. 2

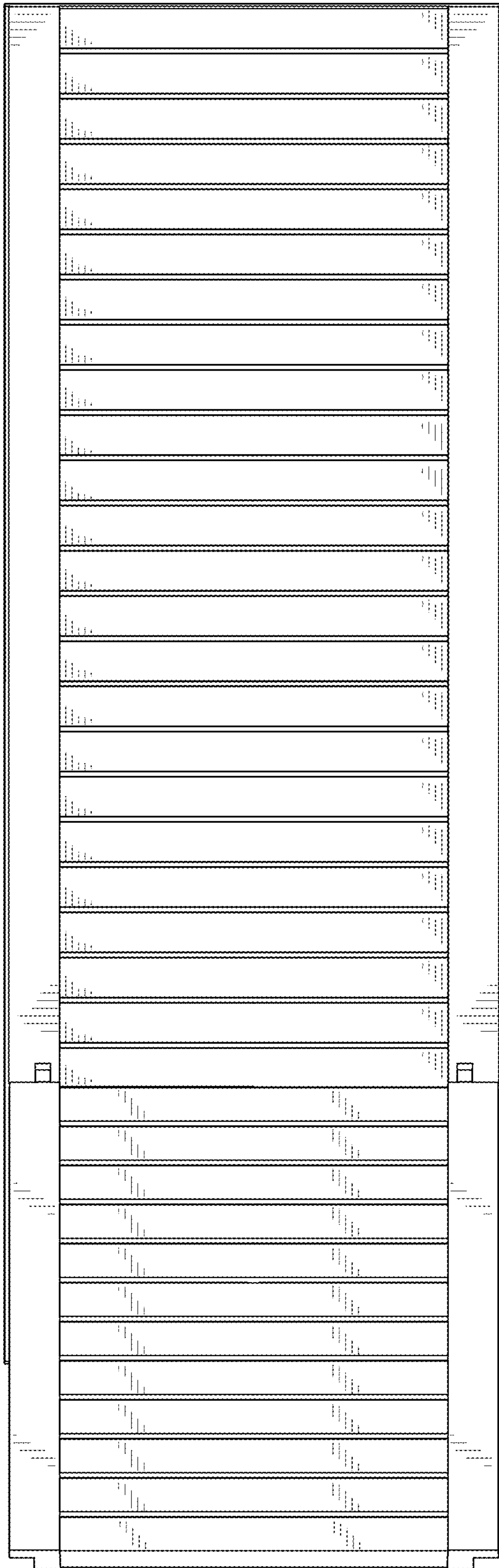


FIG. 3

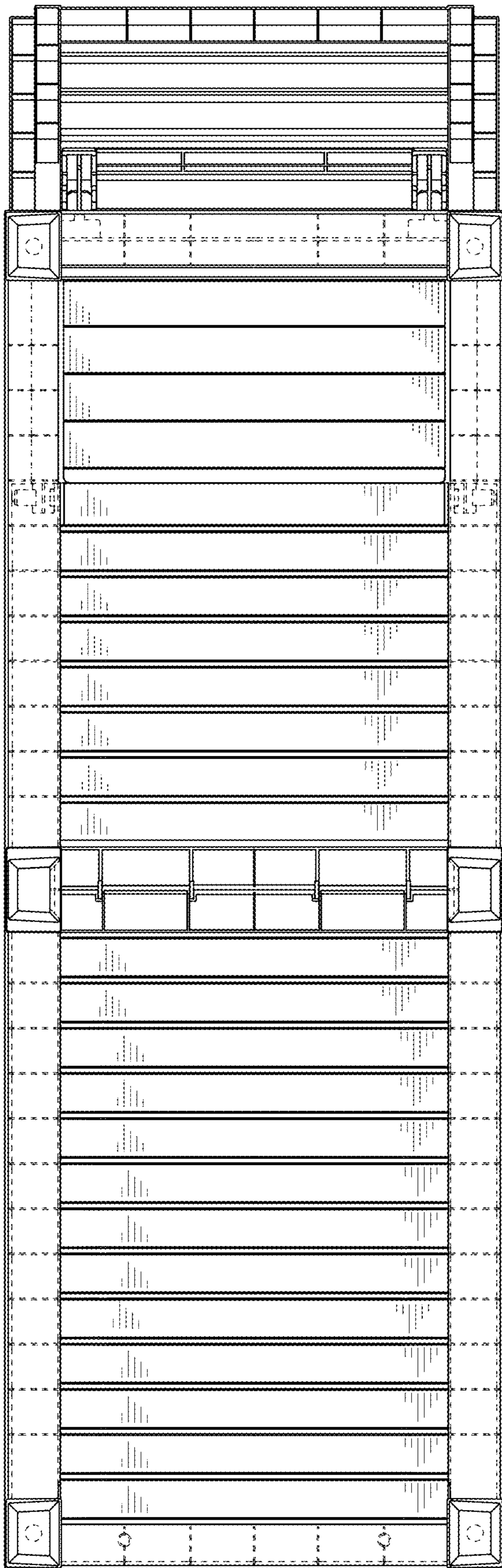


FIG. 4

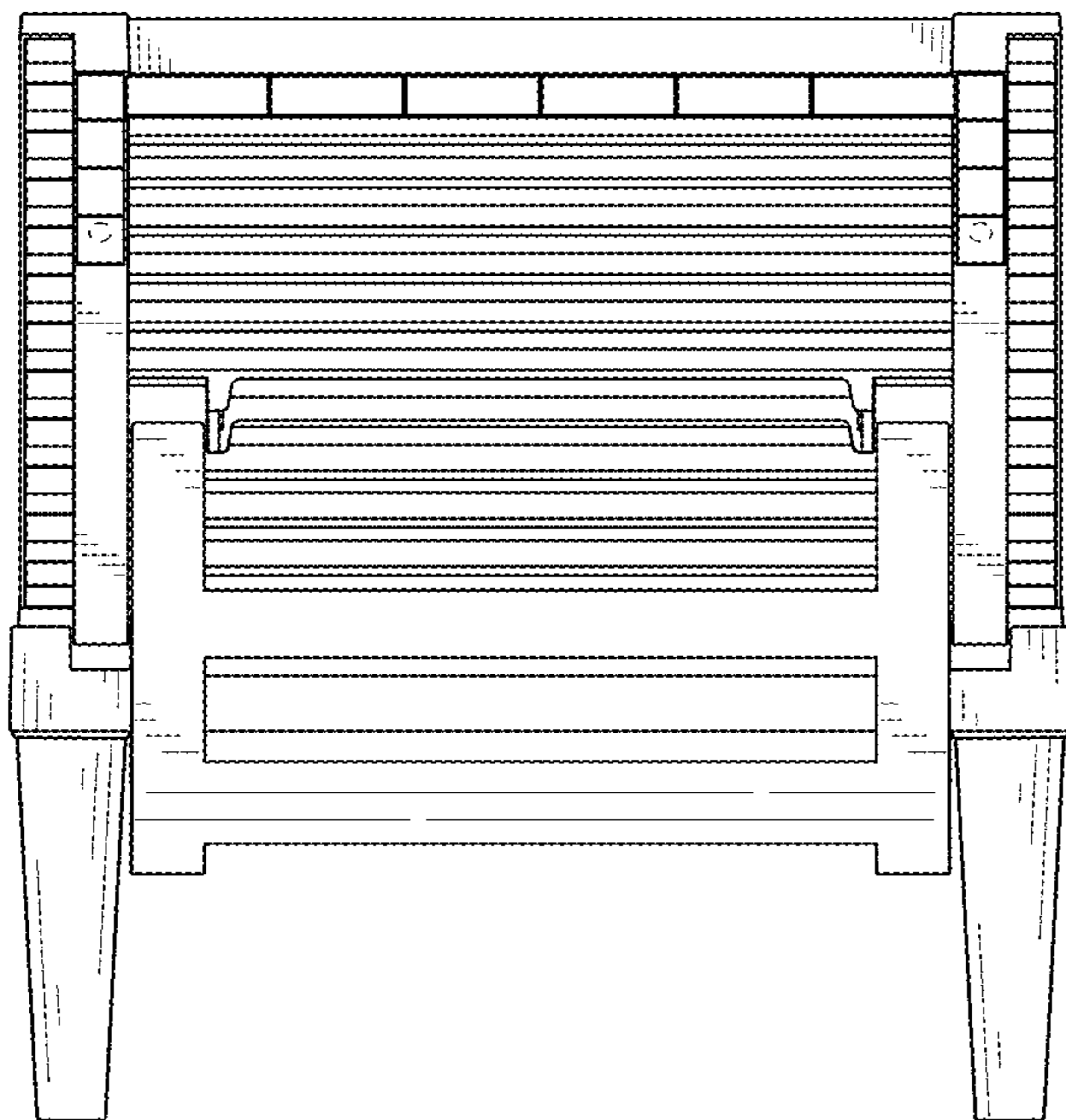


FIG. 5

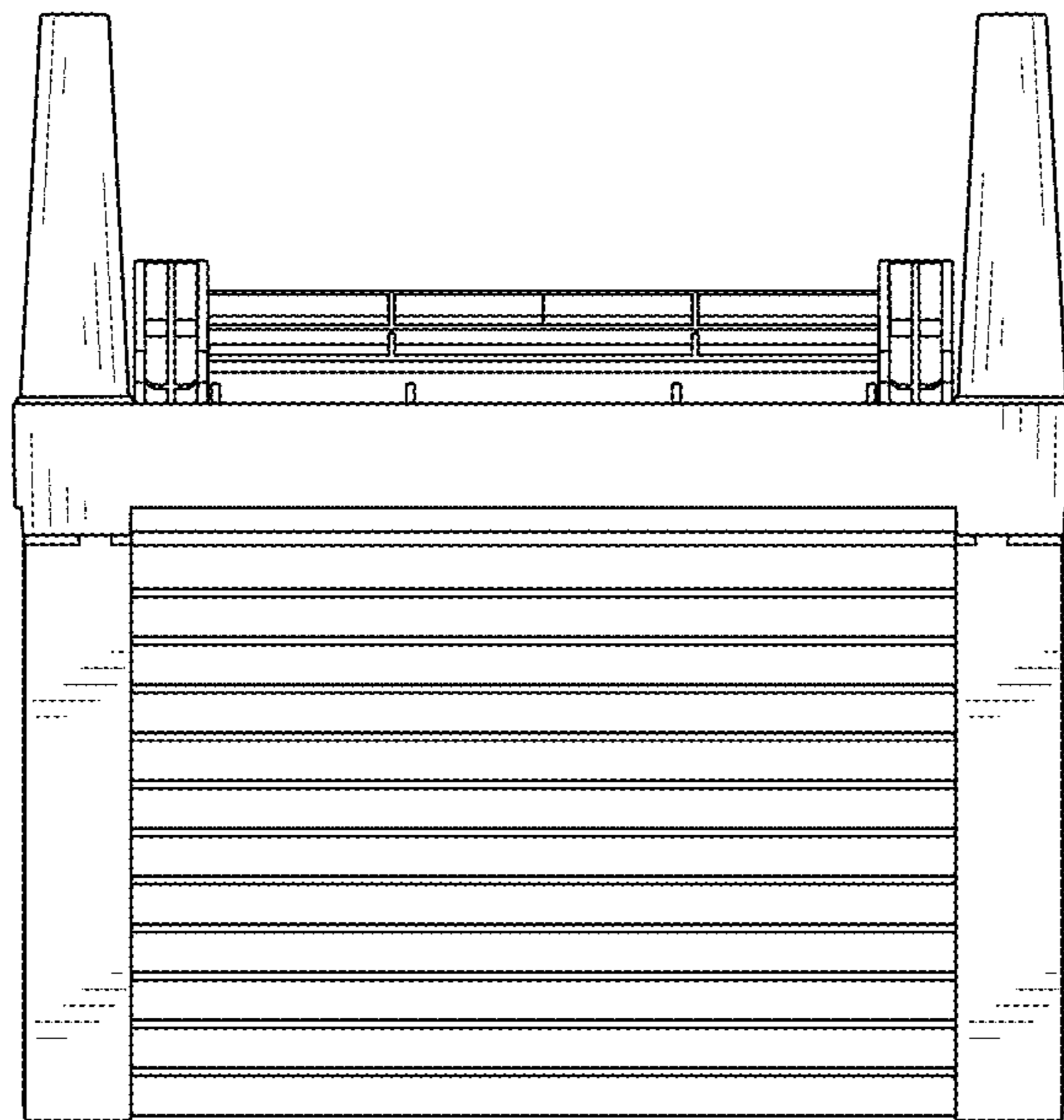


FIG. 6

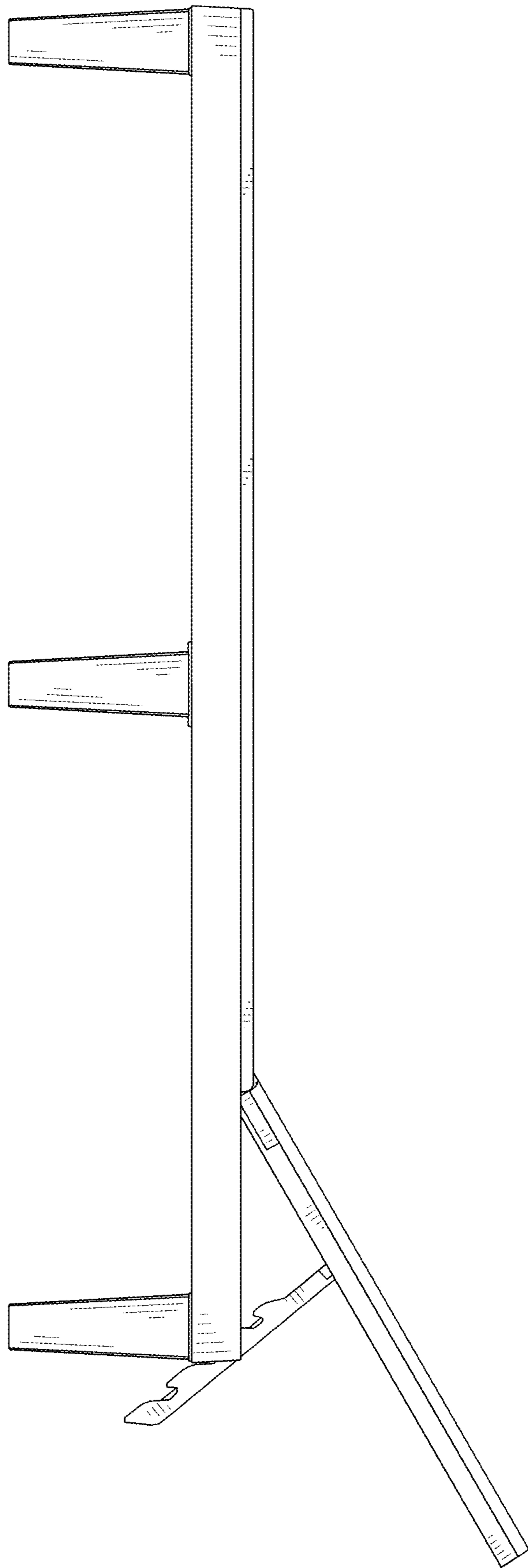


FIG. 7

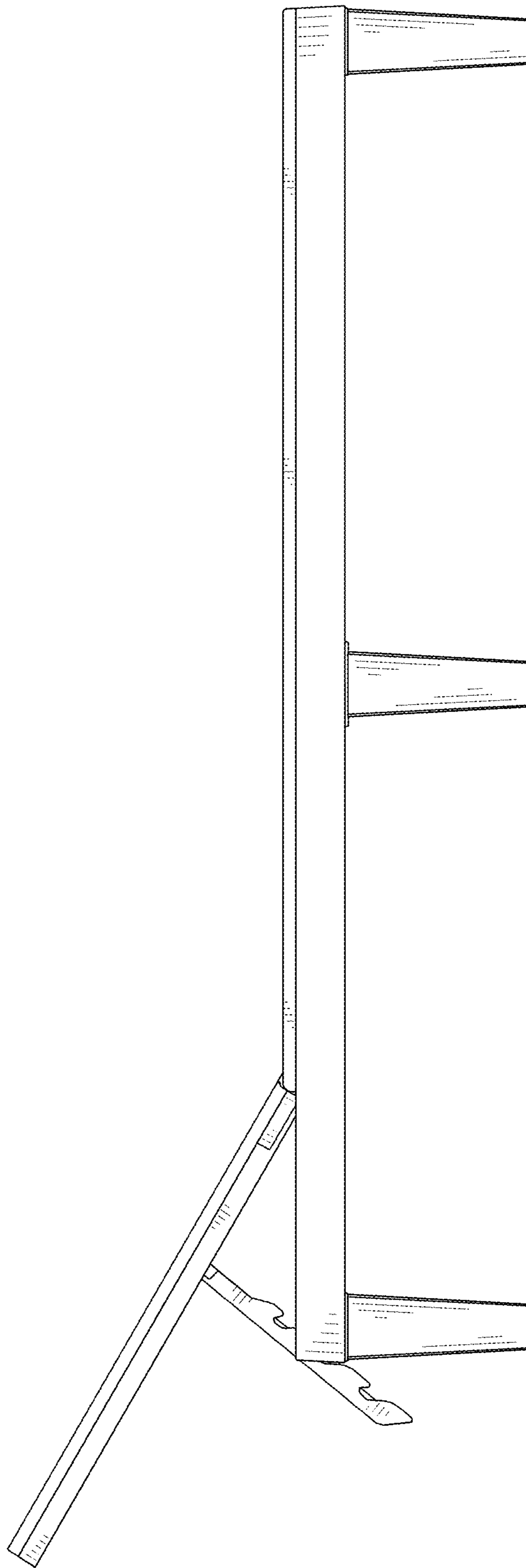


FIG. 8

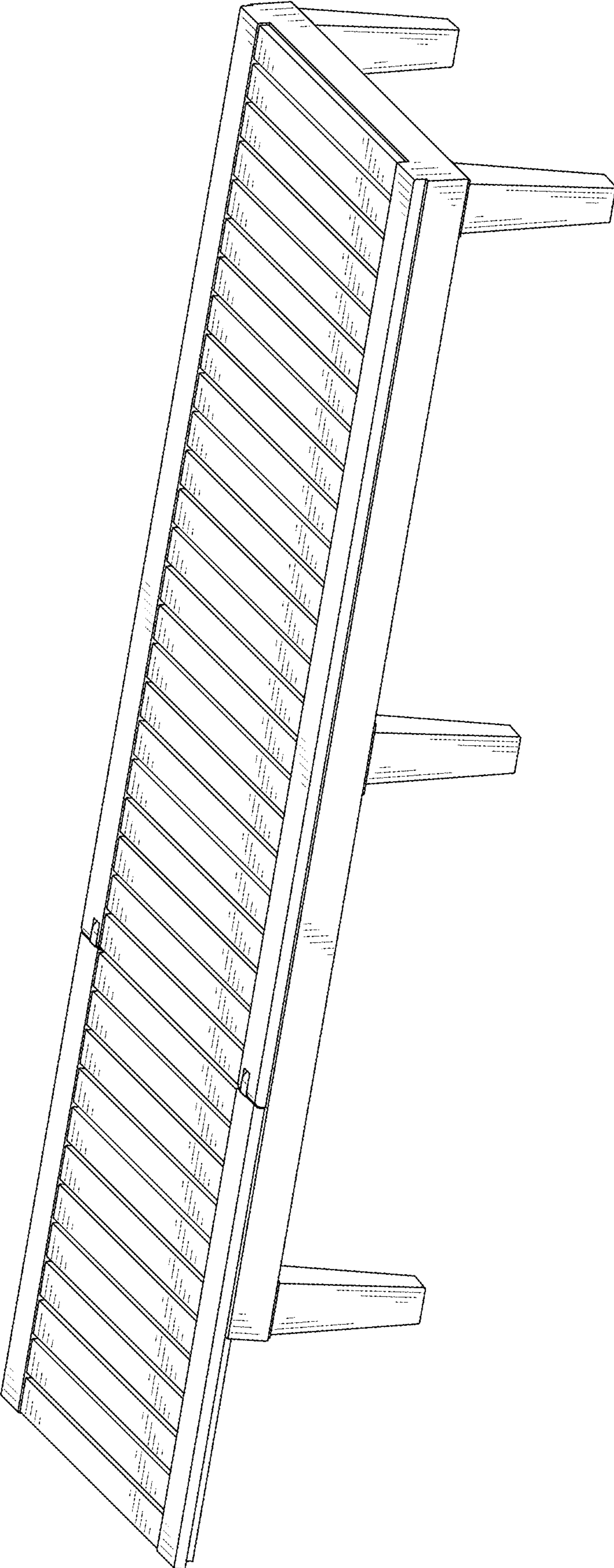


FIG. 9

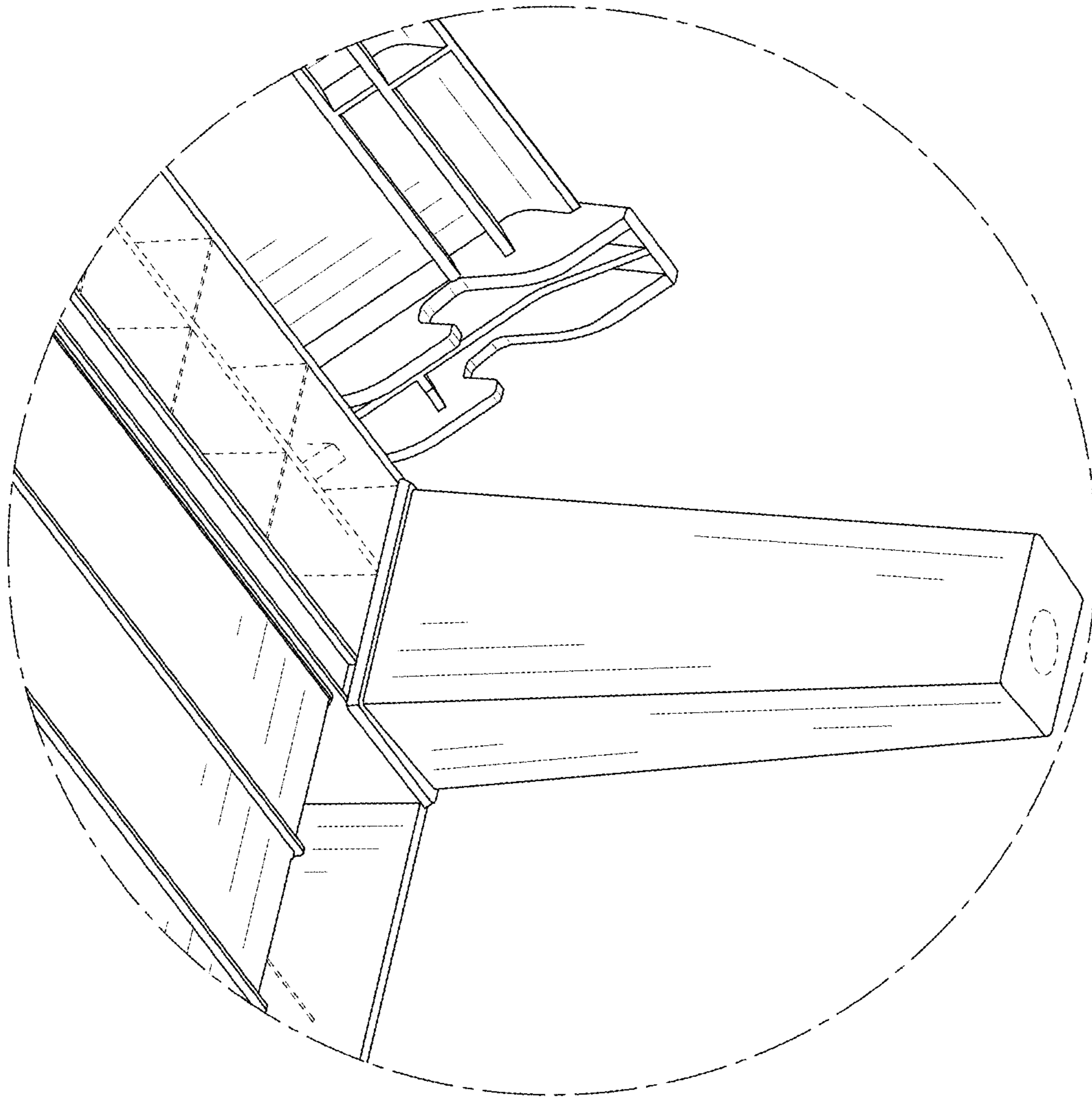


FIG. 10

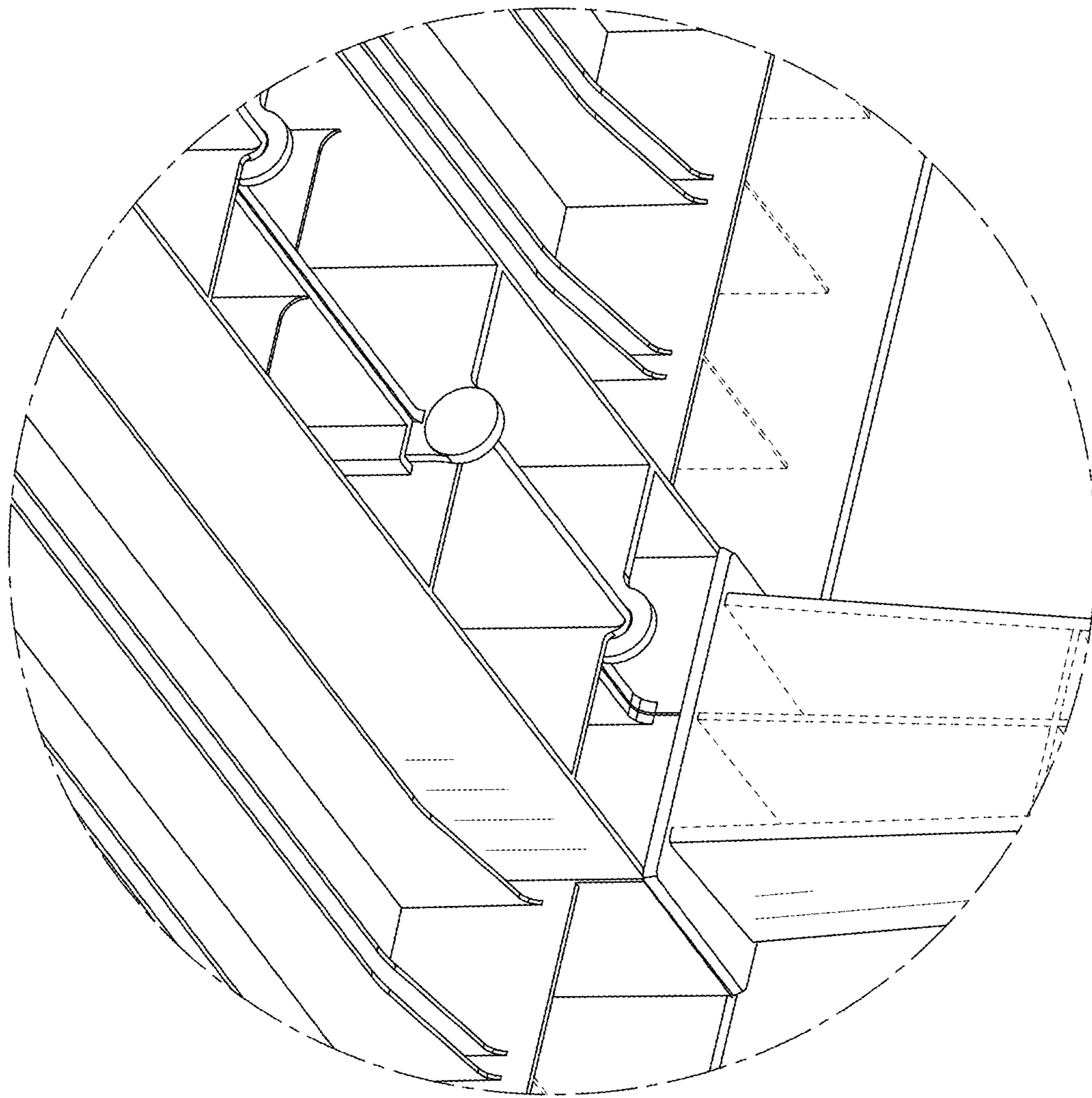


FIG. 11