



US00D958552S

(12) **United States Design Patent** (10) **Patent No.:** **US D958,552 S**  
**Andersen** (45) **Date of Patent:** **\*\* Jul. 26, 2022**

(54) **SOFA**  
(71) Applicant: **Innovation U.S.A., Inc.**, Mission Viejo, CA (US)

D811,100 S \* 2/2018 Andersen ..... D6/335  
D874,837 S \* 2/2020 Andersen ..... D6/335  
D891,129 S \* 7/2020 Kanthasamy ..... D6/335  
D895,309 S \* 9/2020 Andersen ..... D6/335  
D905,453 S \* 12/2020 Kanthasamy ..... D6/335

(Continued)

(72) Inventor: **Per Weiss Andersen**, Randers (DK)  
(73) Assignee: **Innovation U.S.A., Inc.**, Mission Viejo, CA (US)

**OTHER PUBLICATIONS**

Conlix Sofa Bed Smoked Oak [online], [site visited Jul. 28, 2021]. Available from internet, URL: <<https://www.innovationliving.us/products/by-type/sofa-beds/product-details/conlix-sofa-bed-smoked-oak?fabric=893-Mozart-Masala>> (Year: 2021).\*

(Continued)

(\*\*) Term: **15 Years**  
(21) Appl. No.: **29/740,310**  
(22) Filed: **Jul. 2, 2020**

*Primary Examiner* — Cynthia Ramirez  
*Assistant Examiner* — Xavier Marti-Santos  
(74) *Attorney, Agent, or Firm* — Miles & Stockbridge P.C.; David R. Schaffer

(30) **Foreign Application Priority Data**

Jan. 10, 2020 (EM) ..... 007497425-0004

(57) **CLAIM**

The ornamental design for a sofa, as shown and described.

(51) **LOC (13) Cl.** ..... **06-01**  
(52) **U.S. Cl.**  
USPC ..... **D6/335**

**DESCRIPTION**

(58) **Field of Classification Search**  
USPC ..... D6/334–336, 349, 369, 377, 379, 381  
CPC ..... A47C 17/00; A47C 17/02; A47C 17/04;  
A47C 17/045; A47C 17/12; A47C 17/13;  
A47C 17/132; A47C 17/134; A47C  
17/136; A47C 17/16; A47C 17/162; A47C  
17/17; A47C 17/18; A47C 17/86  
See application file for complete search history.

FIG. 1 is a right front perspective view of a sofa showing my new design;  
FIG. 2 is a left elevational view thereof, the right side elevation being a mirror image;  
FIG. 3 is a top plan view thereof;  
FIG. 4 is a left rear perspective exploded view, shown in the reclined position thereof;  
FIG. 5 is a left rear perspective view, shown in the non-reclined position thereof;  
FIG. 6 is a left rear perspective partially exploded view, shown in the reclined position thereof; and,  
FIG. 7 is a front elevational view, shown in the non-reclined position thereof.

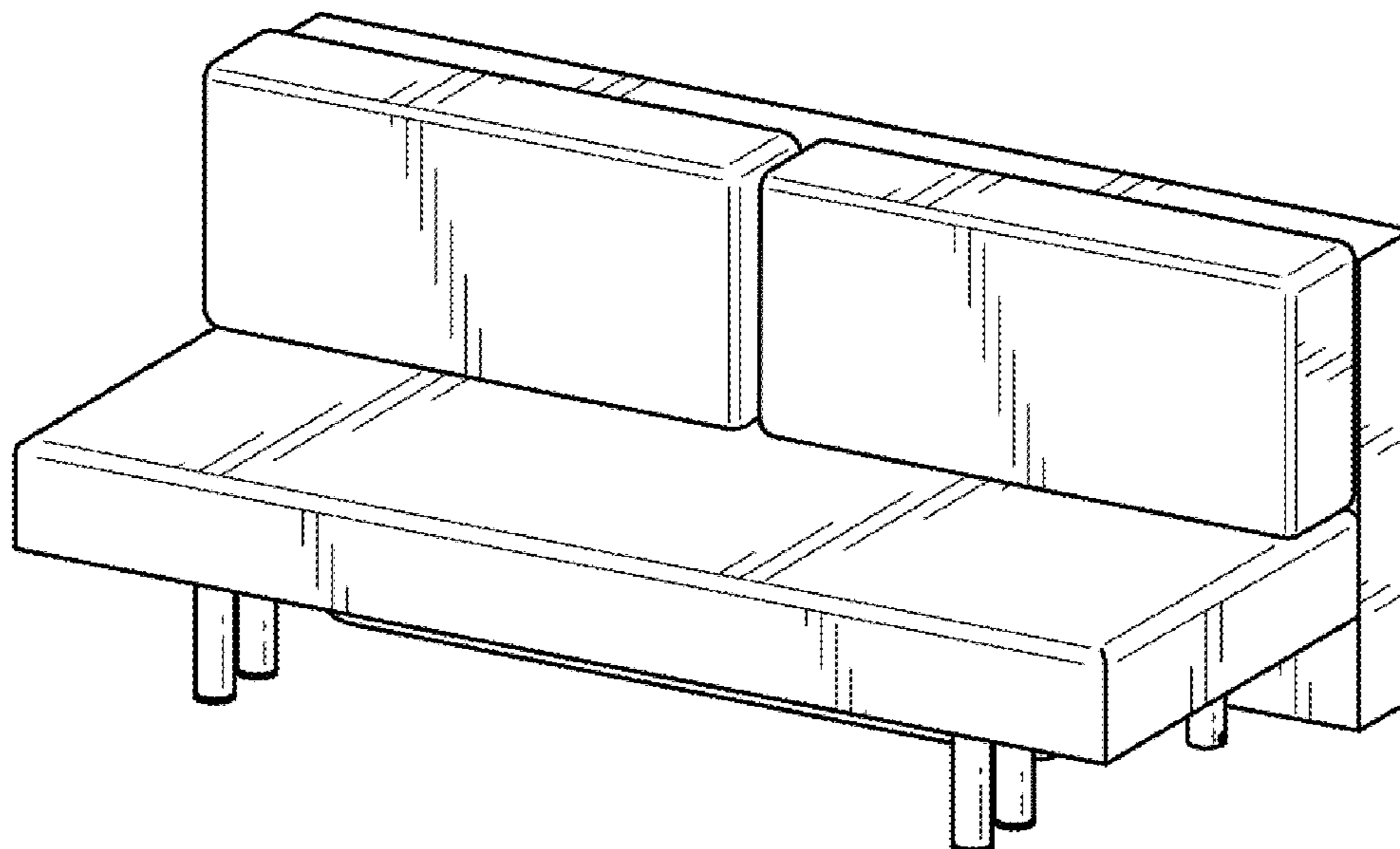
The broken lines in the figures are for the purpose of illustrating portions of the sofa, which form no part of the claimed design.

(56) **References Cited**

**U.S. PATENT DOCUMENTS**

2,111,415 A \* 3/1938 Arton ..... A47C 17/16  
5/44.1  
D175,877 S \* 10/1955 Bartolucci ..... D6/381  
D603,617 S \* 11/2009 Weiss ..... D6/381  
D604,957 S \* 12/2009 Weiss ..... D6/381  
D720,944 S \* 1/2015 Barber ..... D6/381  
D798,627 S \* 10/2017 Rockwell ..... D6/381

**1 Claim, 3 Drawing Sheets**



(56)

**References Cited**

U.S. PATENT DOCUMENTS

D910,323 S \* 2/2021 Kanthasamy ..... D6/335

OTHER PUBLICATIONS

Innovationliving instagram post [online], [site visited Jul. 28, 2021]. Available from internet, URL: <<https://www.instagram.com/p/B91mCaRBcxn/>> (Year: 2020).\*

Sly Sleek Sofa Bed Dark Khaki Viscose [online], [site visited Jul. 28, 2021]. Available from internet, URL: <[https://futonland.com/index/page/product/product\\_id/18494/category/1/category\\_chain/47,1/product\\_name/Sly+Sleek+Sofa+Bed+Dark+Khaki+Viscose+by+Innovation](https://futonland.com/index/page/product/product_id/18494/category/1/category_chain/47,1/product_name/Sly+Sleek+Sofa+Bed+Dark+Khaki+Viscose+by+Innovation)> (Year: 2021).\*

\* cited by examiner

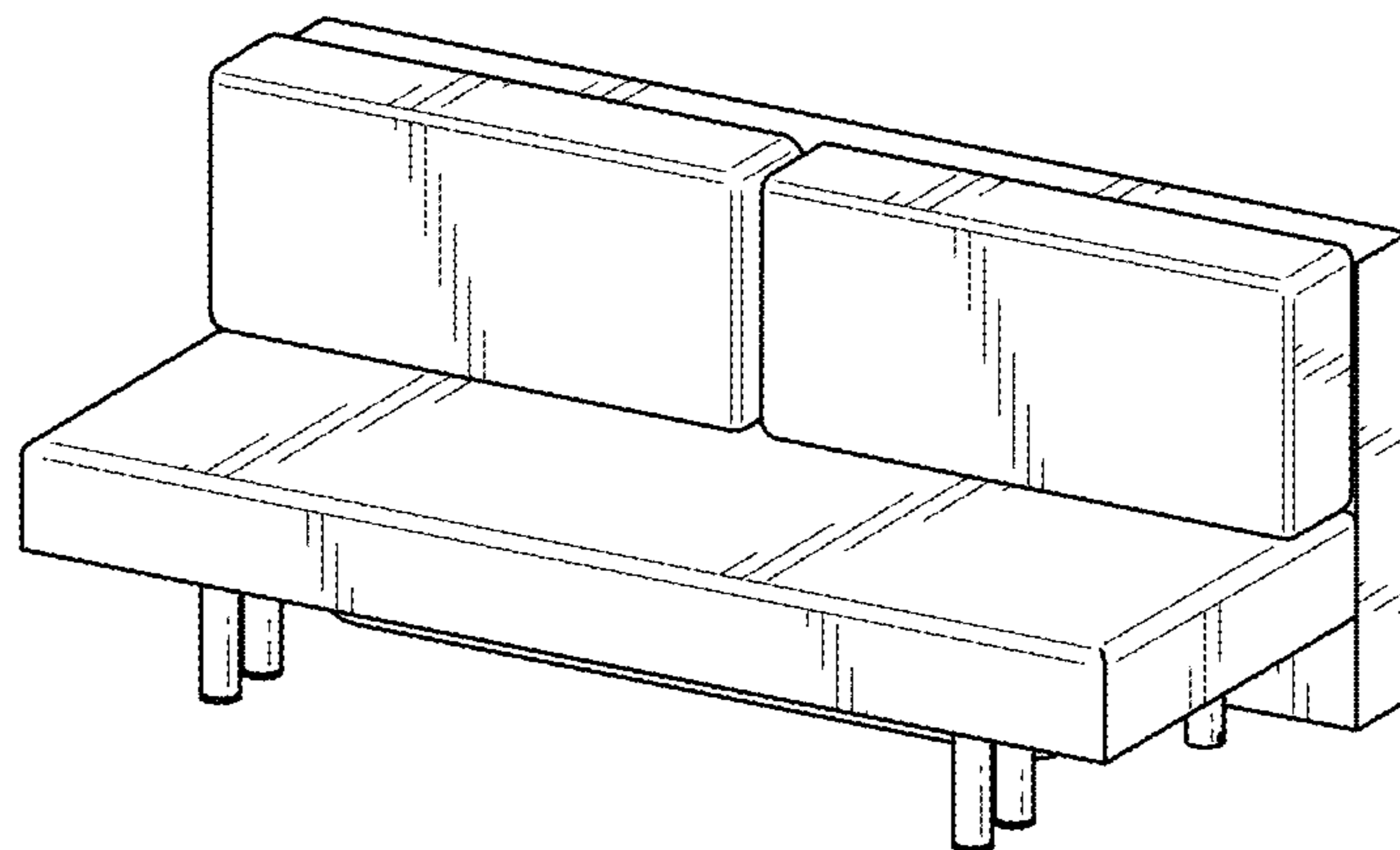


FIG. 1

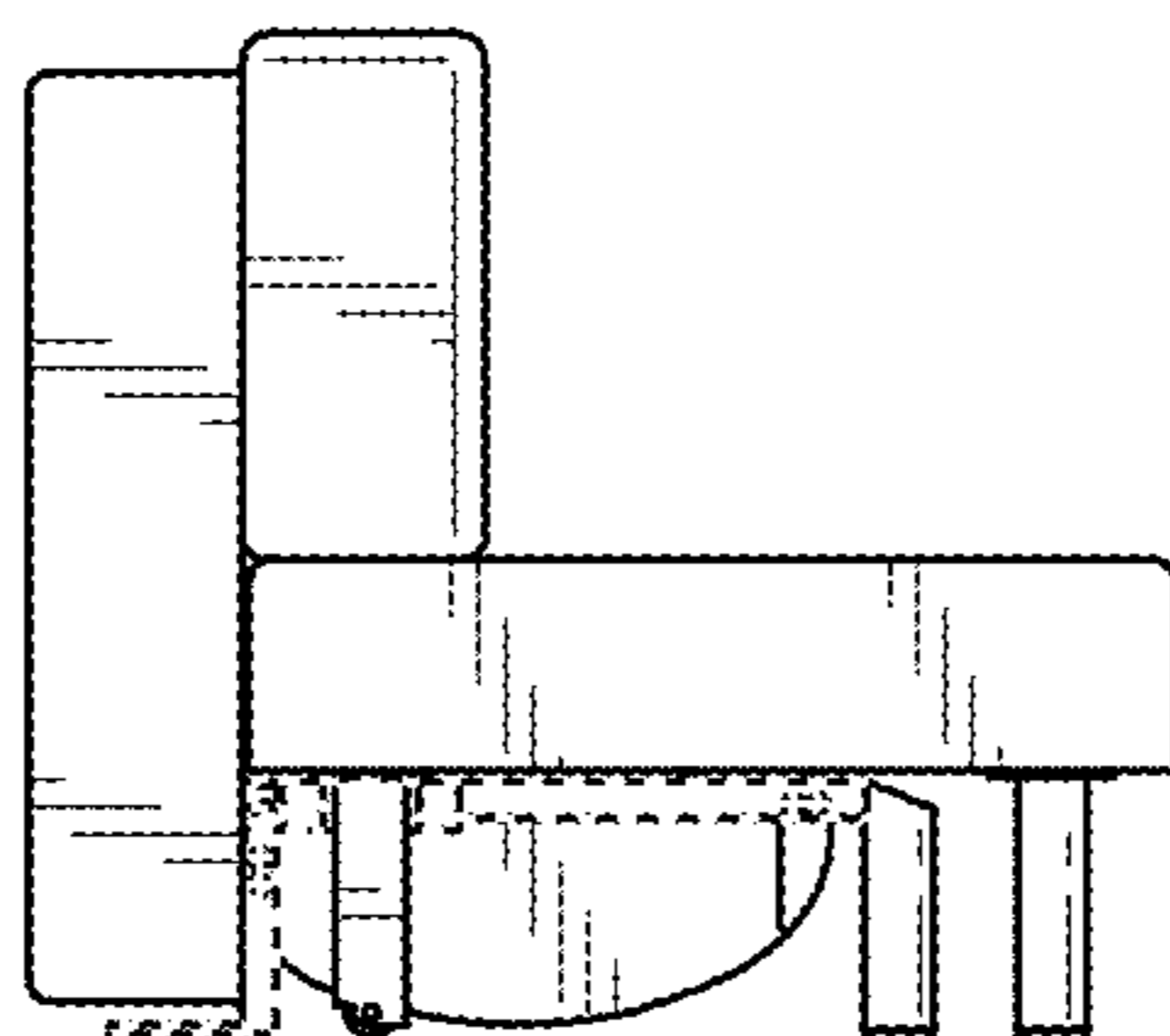


FIG. 2

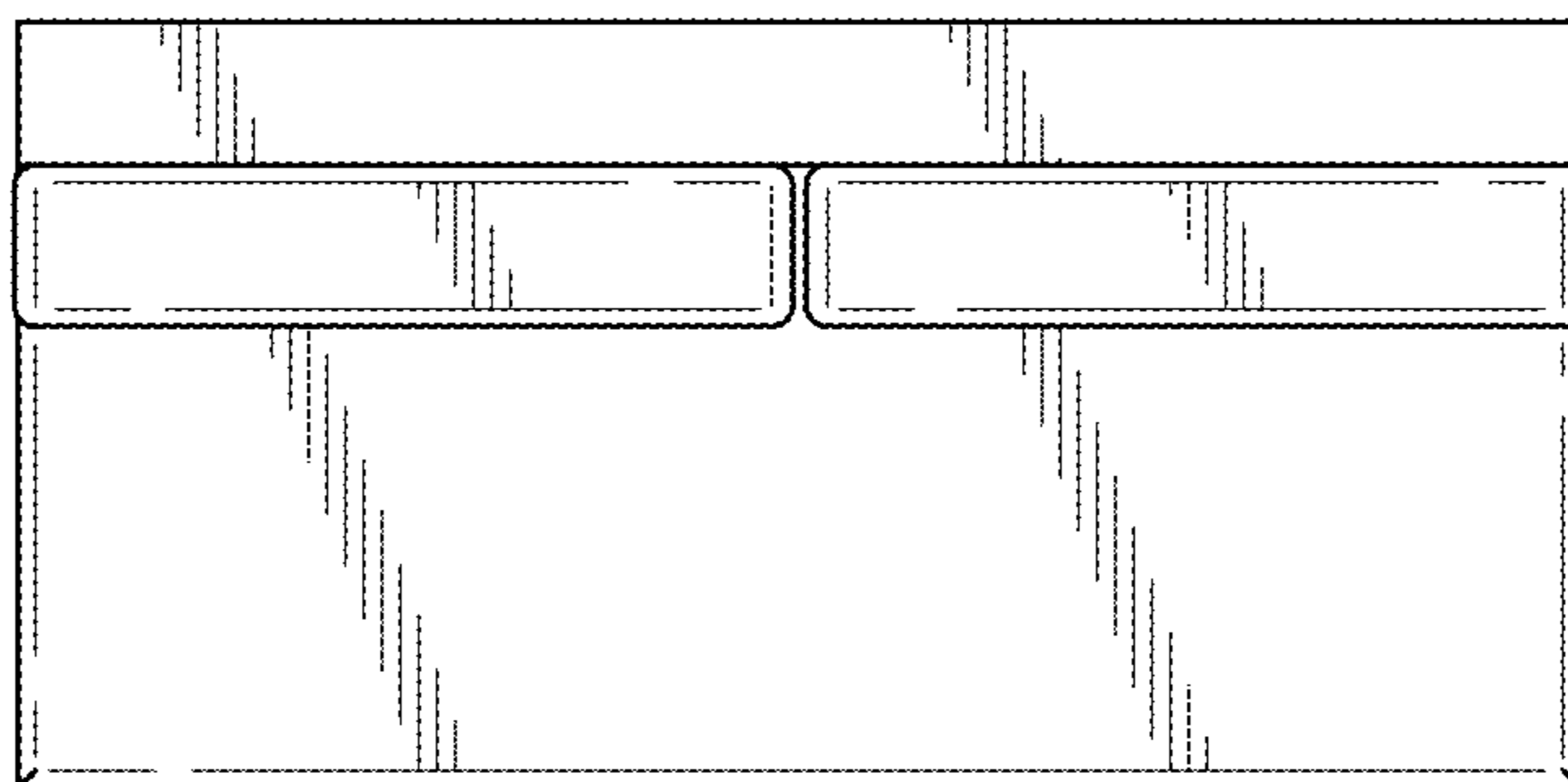


FIG. 3

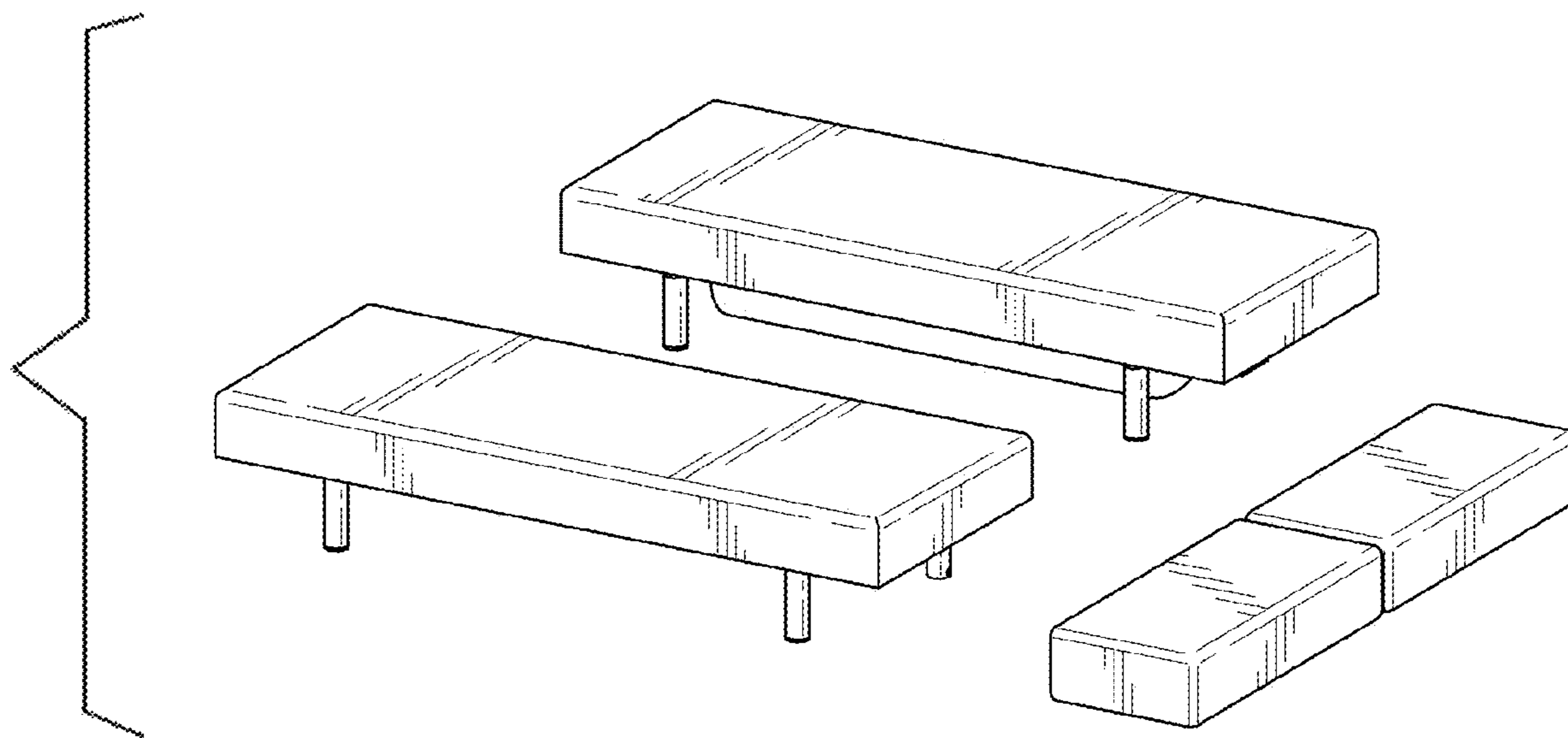


FIG. 4

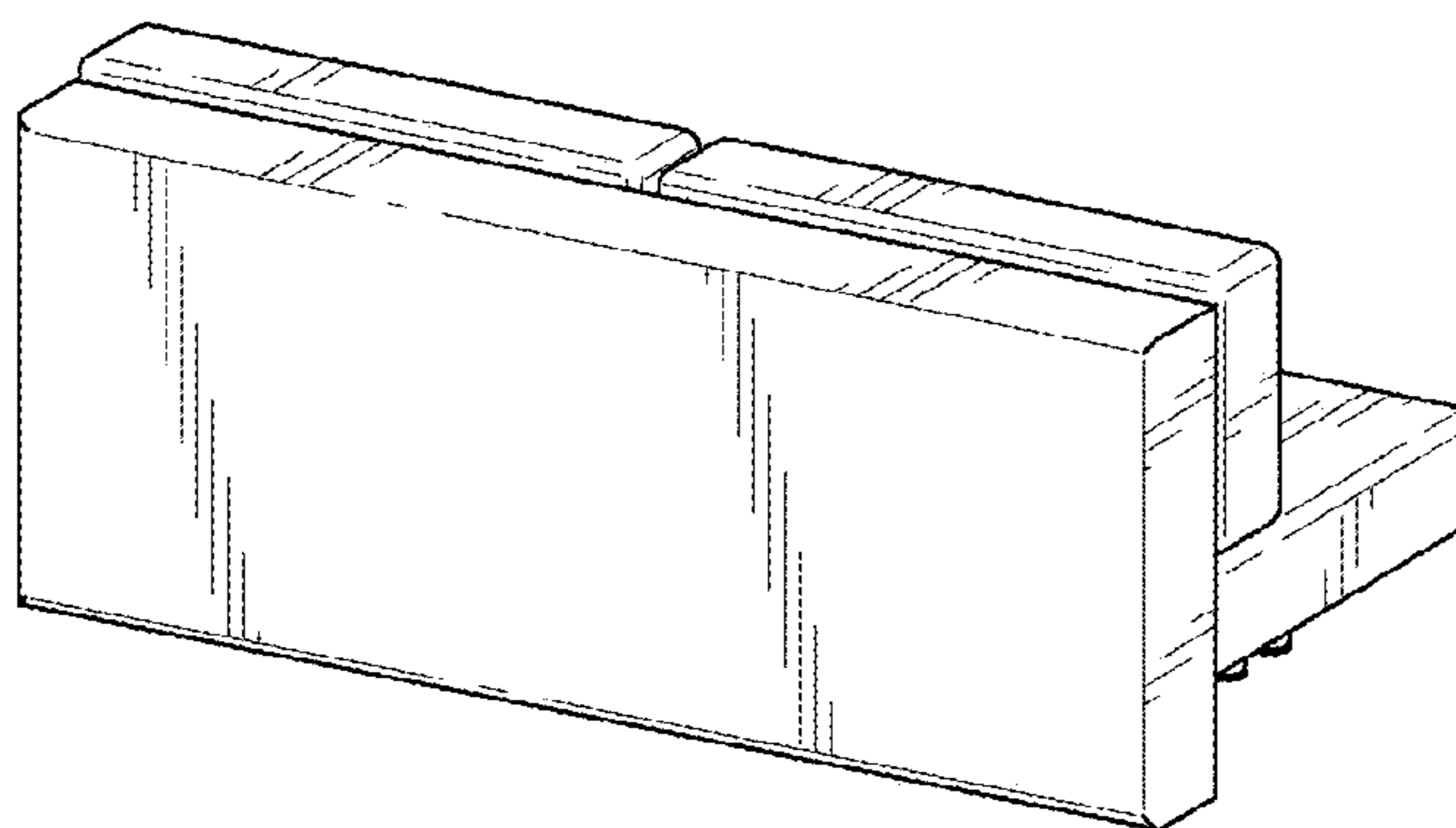


FIG. 5

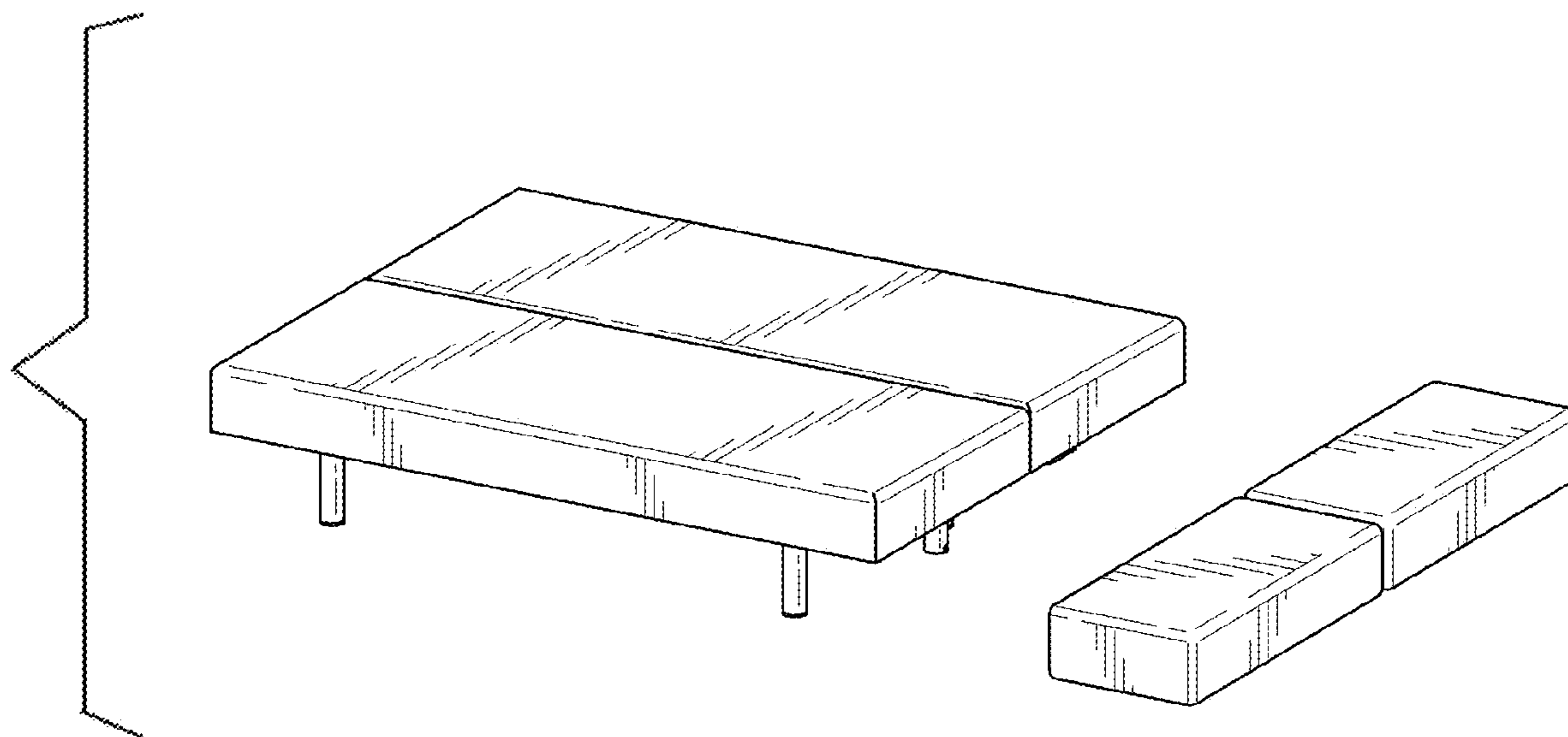


FIG. 6

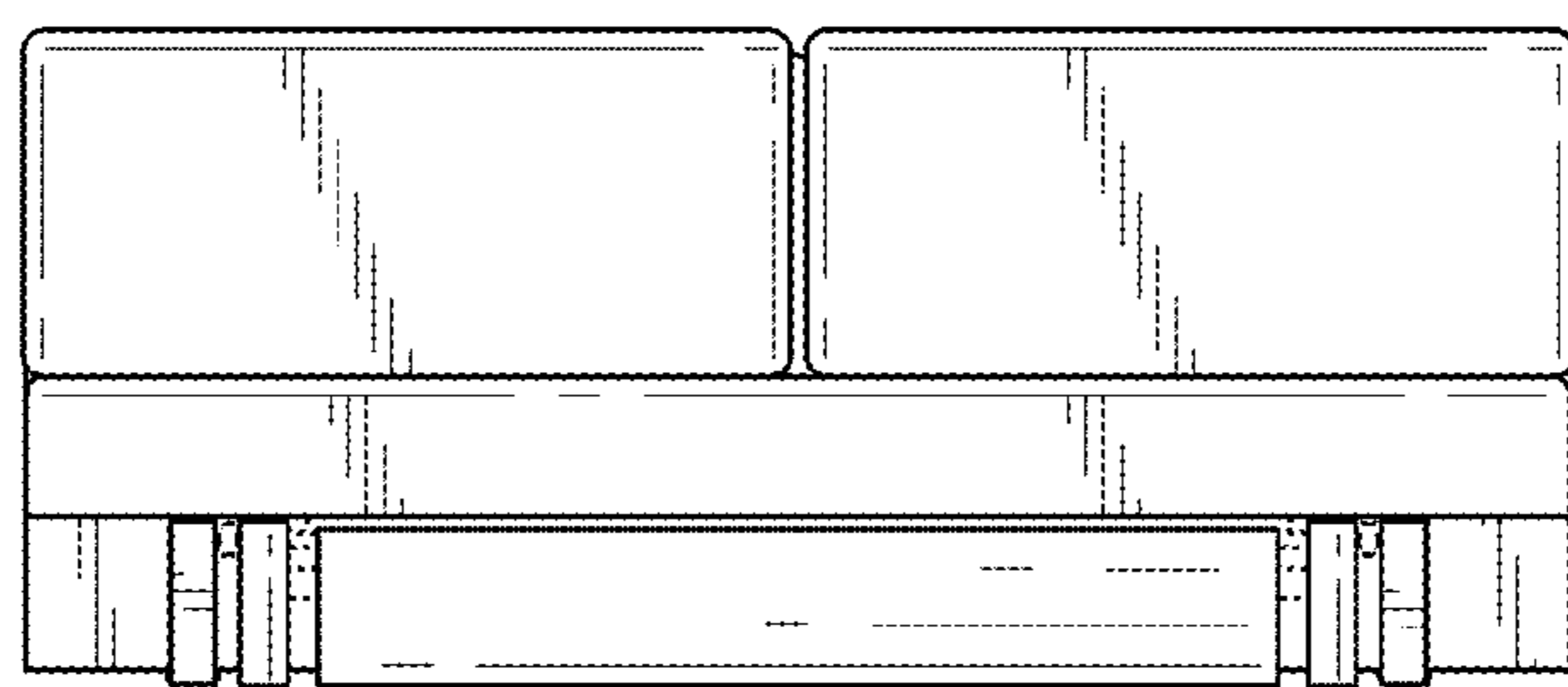


FIG. 7