



US00D958551S

(12) **United States Design Patent**
Andersen

(10) **Patent No.:** **US D958,551 S**

(45) **Date of Patent:** **** Jul. 26, 2022**

- (54) **SOFA**
- (71) Applicant: **Innovation U.S.A., Inc.**, Mission Viejo, CA (US)
- (72) Inventor: **Per Weiss Andersen**, Randers (DK)
- (73) Assignee: **Innovation U.S.A., Inc.**, Mission Viejo, CA (US)
- (**) Term: **15 Years**
- (21) Appl. No.: **29/740,300**
- (22) Filed: **Jul. 2, 2020**

D798,627 S *	10/2017	Rockwell	D6/381
D822,400 S *	7/2018	Andersen	D6/381
D874,837 S *	2/2020	Andersen	D6/335
D891,129 S *	7/2020	Kanthasamy	D6/335
D895,309 S *	9/2020	Andersen	D6/335
D905,453 S *	12/2020	Kanthasamy	D6/335
D910,323 S *	2/2021	Kanthasamy	D6/335

- (30) **Foreign Application Priority Data**
- Jan. 10, 2020 (EM) 007497425-0001
- (51) **LOC (13) Cl.** **06-01**
- (52) **U.S. Cl.**
- USPC **D6/335**
- (58) **Field of Classification Search**
- USPC D6/334-336, 349, 369, 377, 379, 381
- CPC A47C 17/00; A47C 17/02; A47C 17/04;
- A47C 17/045; A47C 17/12; A47C 17/13;
- A47C 17/132; A47C 17/134; A47C
- 17/136; A47C 17/16; A47C 17/162; A47C
- 17/17; A47C 17/18; A47C 17/86
- See application file for complete search history.

OTHER PUBLICATIONS

[Online], [site visited Jul. 28, 2021]. Available from internet, URL: <<https://www.innovationliving.us/products/by-type/sofa-beds/product-details/conlix-sofa-bed-smoked-oak?fabric=893-Mozart-Masala>> (Year: 2021).*

(Continued)

Primary Examiner — Cynthia Ramirez
Assistant Examiner — Xavier Marti-Santos
(74) *Attorney, Agent, or Firm* — Miles & Stockbridge P.C.; David R. Schaffer

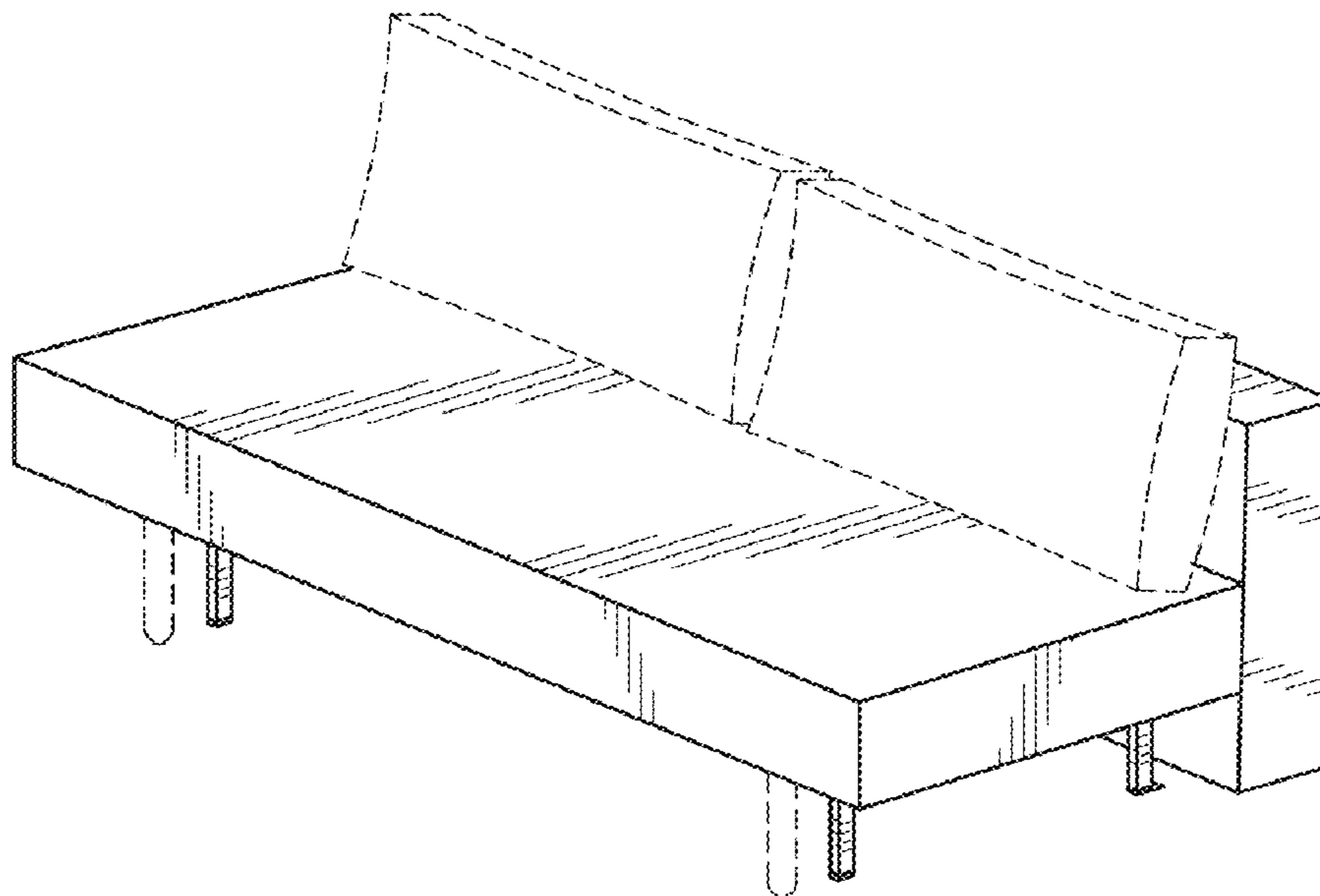
- (56) **References Cited**
- U.S. PATENT DOCUMENTS
- 2,111,415 A * 3/1938 Arton A47C 17/16
- 5/44.1
- D175,877 S * 10/1955 Bartolucci D6/381
- D193,929 S * 10/1962 Ritts D6/369
- D591,970 S 5/2009 Weiss
- D603,617 S 11/2009 Weiss
- D604,957 S 12/2009 Weiss

(57) **CLAIM**
The ornamental design for a sofa, as shown and described.

DESCRIPTION

FIG. 1 is a right front perspective view of a sofa showing my new design;
FIG. 2 is a left elevational view thereof, the right side elevation being a mirror image;
FIG. 3 is a rear elevational view thereof;
FIG. 4 is a front elevational view thereof;
FIG. 5 is a top plan view thereof;
FIG. 6 is a right front perspective exploded view, shown in the non-reclined position thereof; and,
FIG. 7 is a top plan exploded view, shown in the reclined position thereof.
The elements shown in broken lines illustrate portions of the sofa that form no part of the claimed design.

1 Claim, 3 Drawing Sheets



(56)

References Cited

OTHER PUBLICATIONS

Innovationliving instagram post [online], [site visited Jul. 28, 2021]. Available from internet, URL: <<https://www.instagram.com/p/B91mCaRBcxn/>> (Year: 2020).*

Sly Sleek Sofa Bed Dark Khaki Viscose [online], [site visited Jul. 28, 2021]. Available from internet, URL: <https://futonland.com/index/page/product/product_id/18494/category/1/category_chain/47,1/product_name/Sly+Sleek+Sofa+Bed+Dark+Khaki+Viscose+by+Innovation> (Year: 2021).*

* cited by examiner

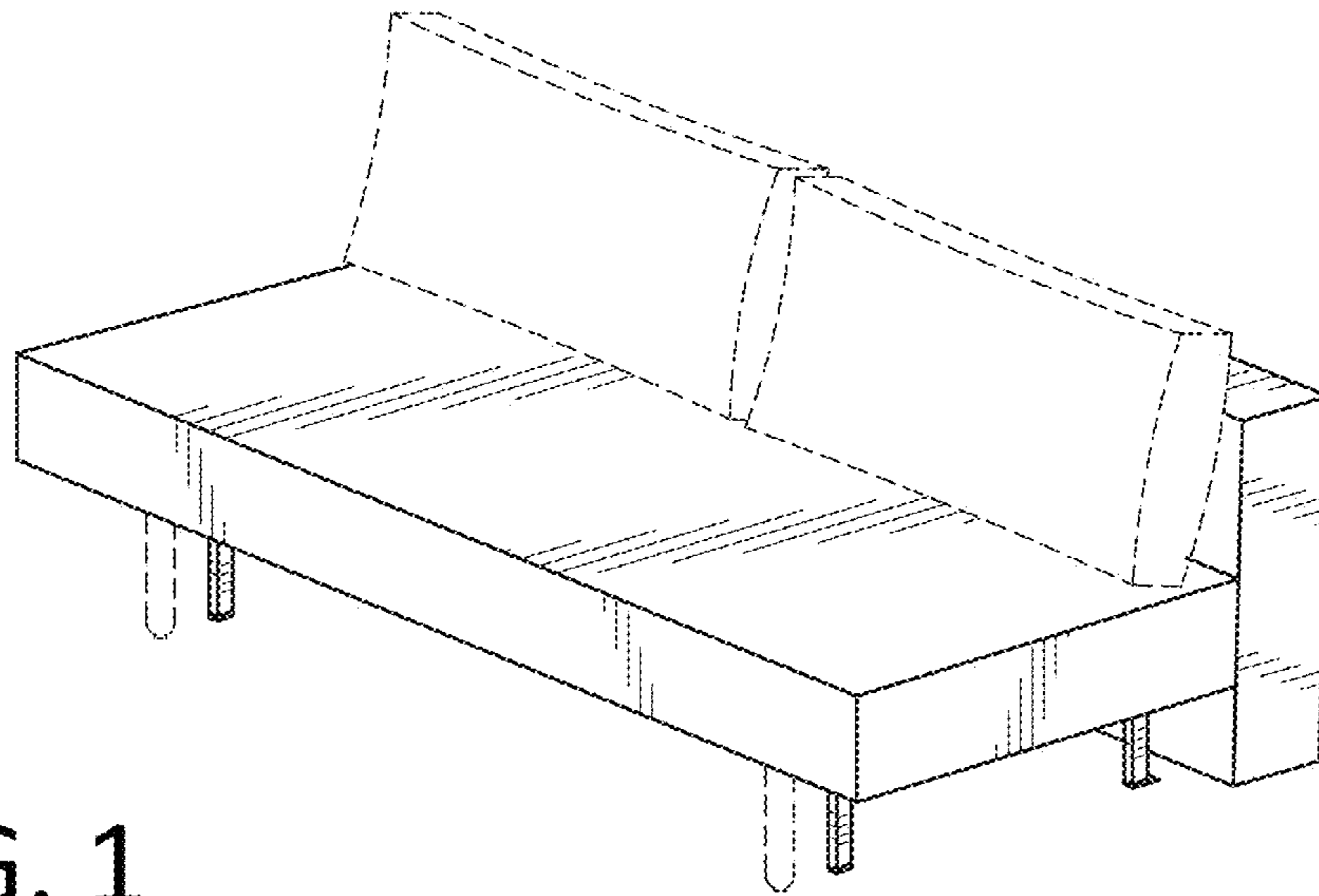


FIG. 1

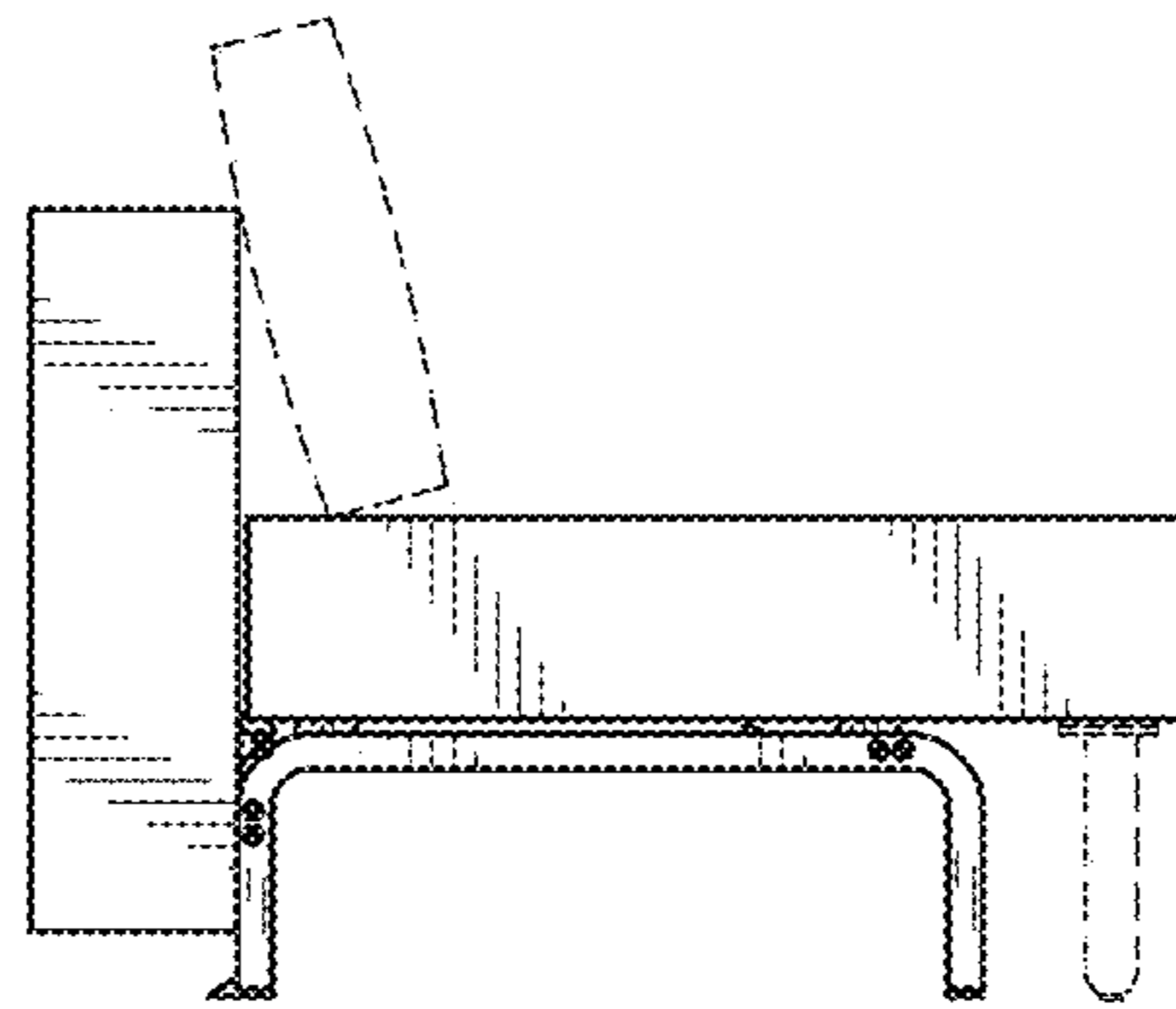


FIG. 2

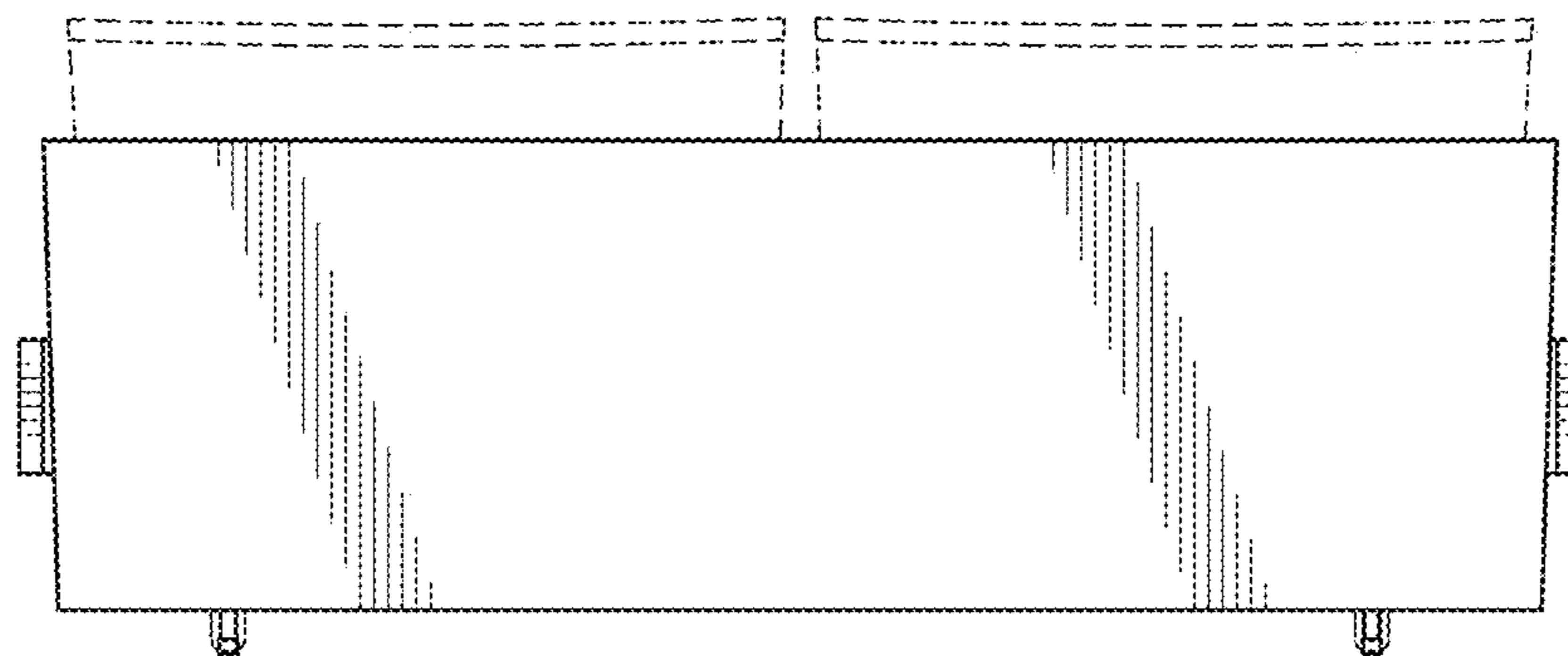


FIG. 3

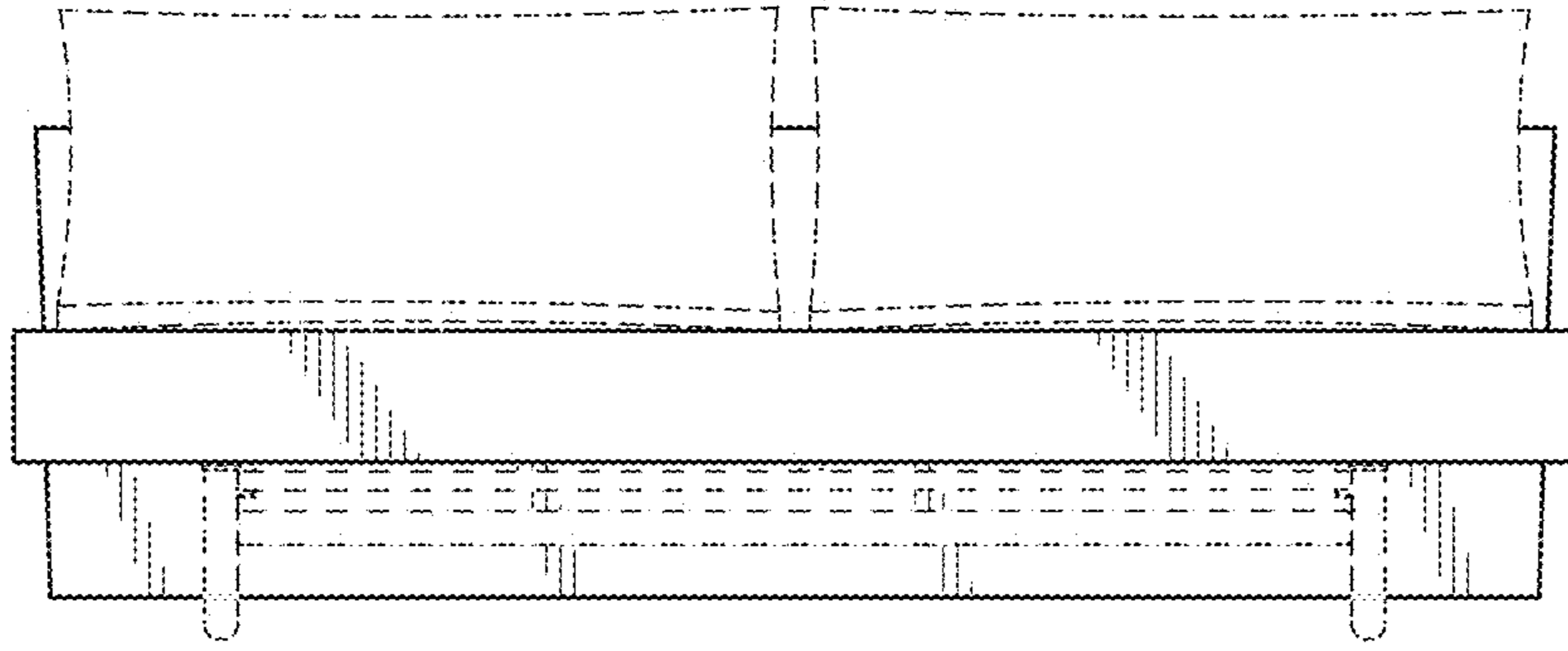


FIG. 4

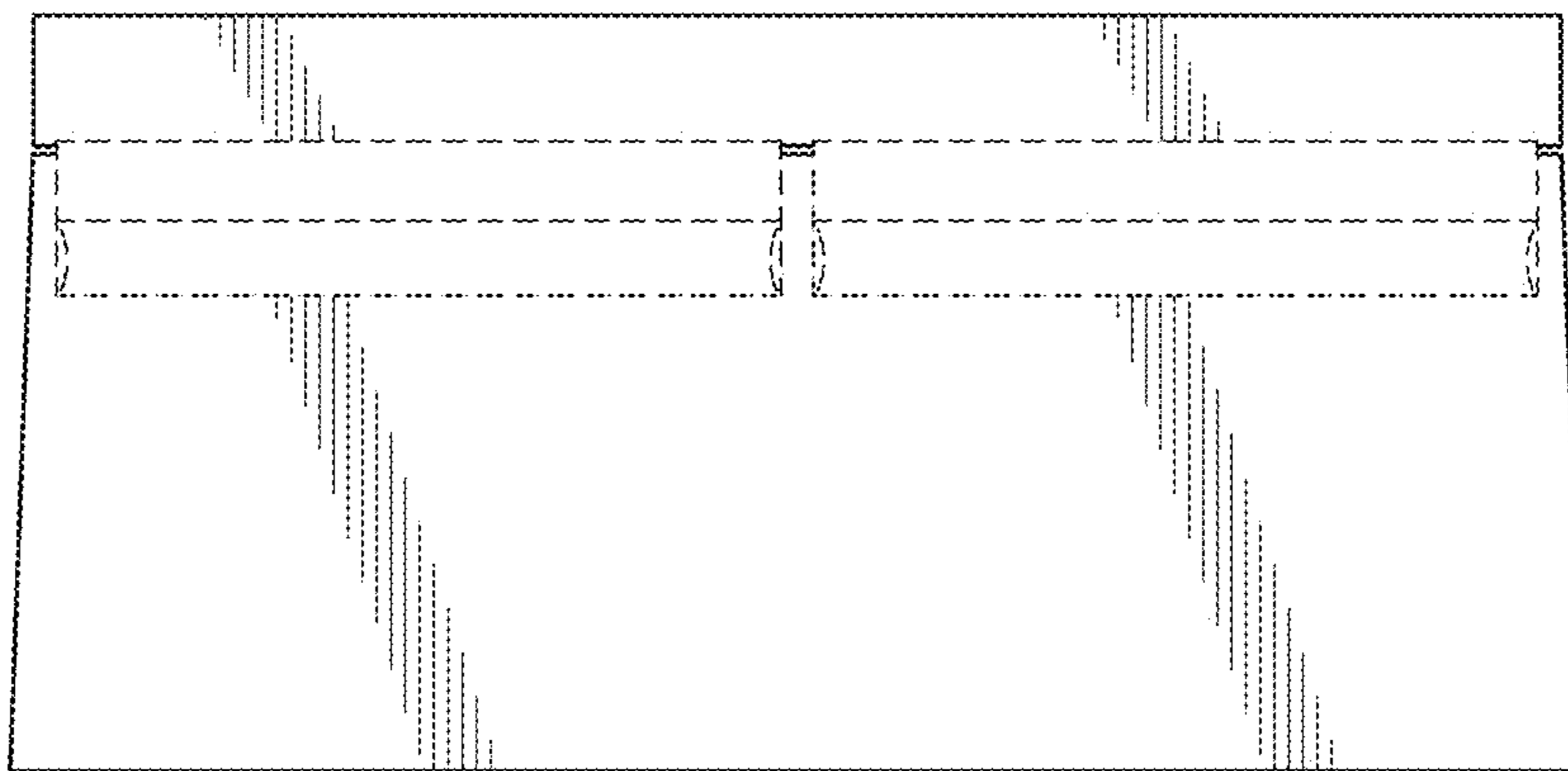


FIG. 5

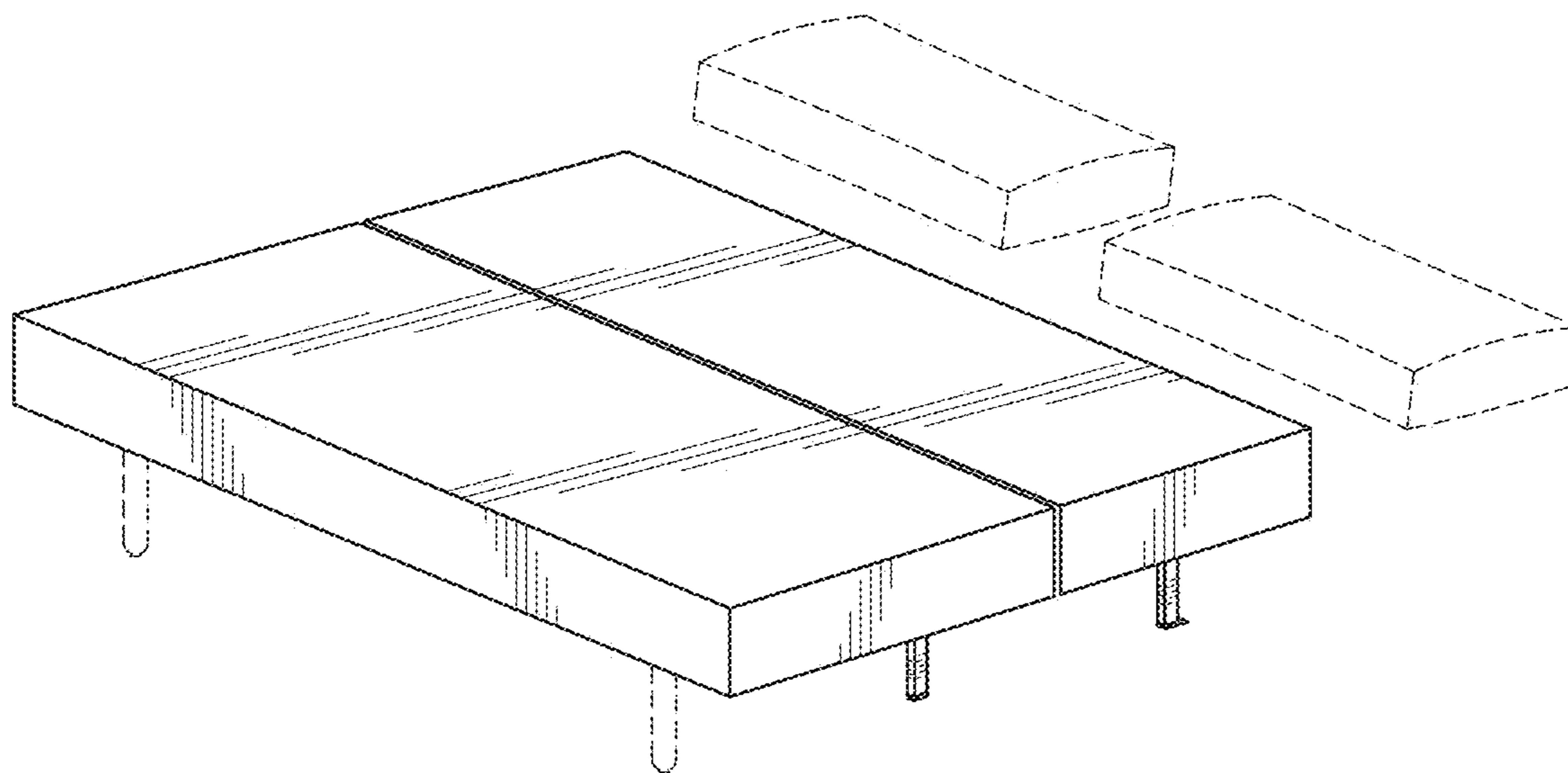


FIG. 6

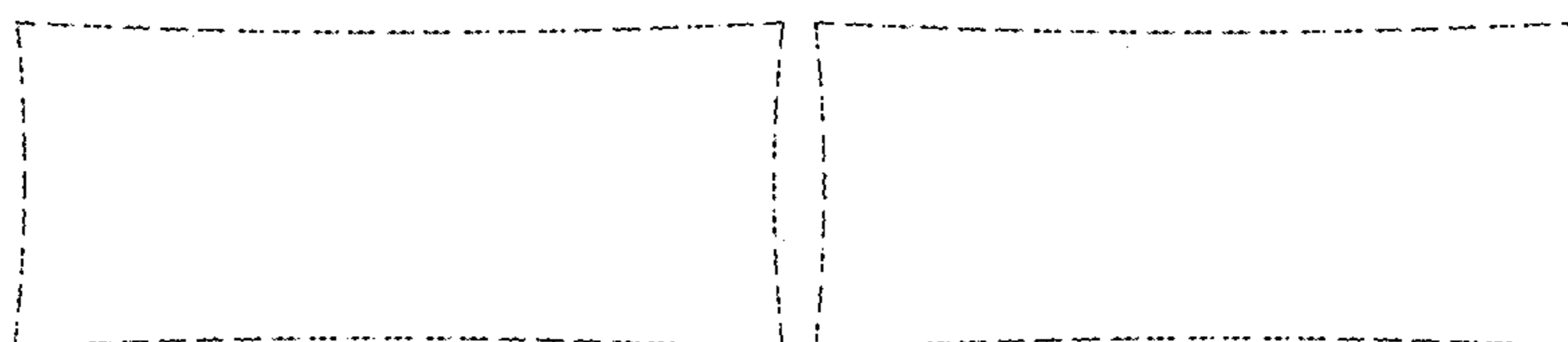
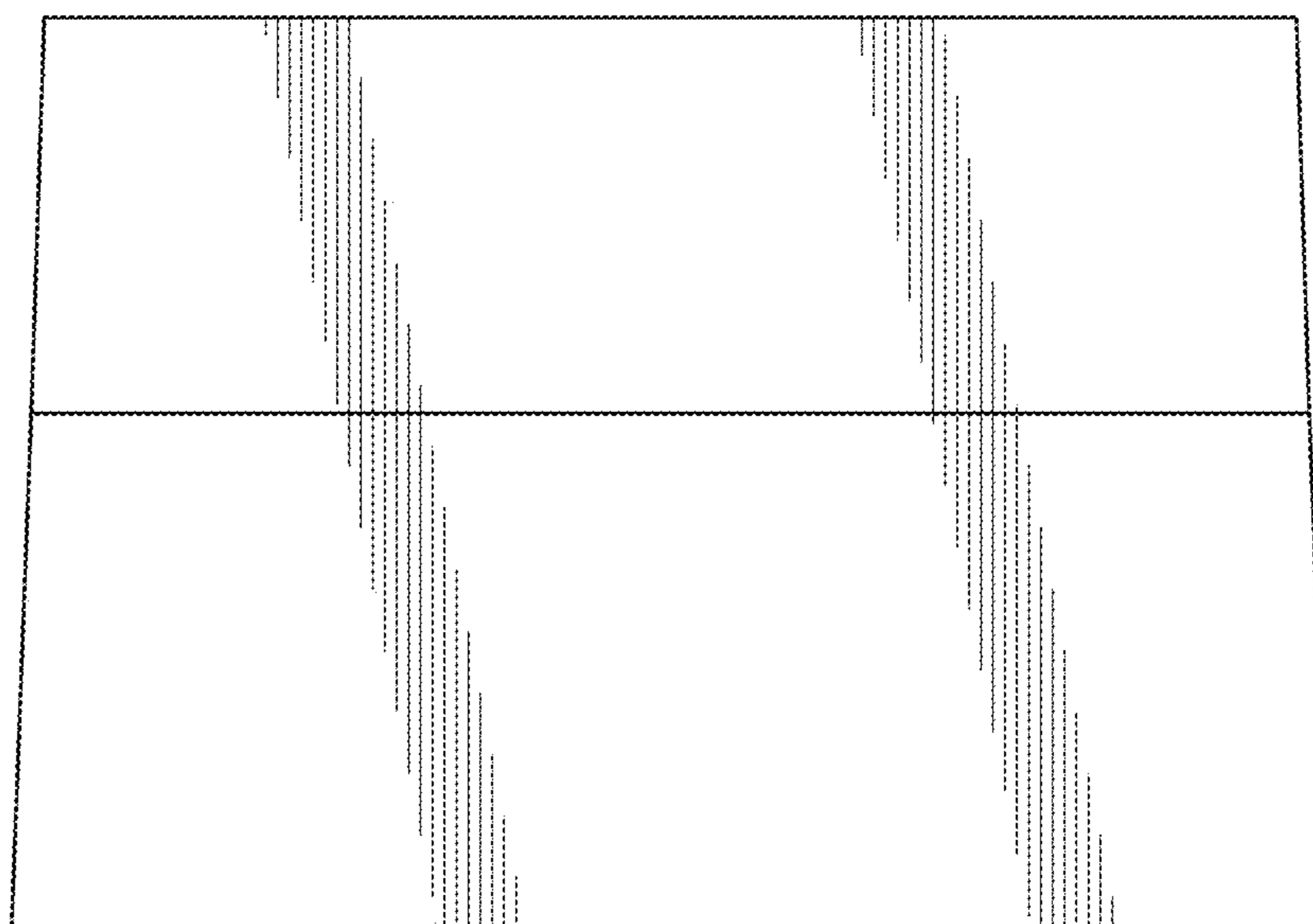


FIG. 7