



US00D958550S

(12) **United States Design Patent** (10) **Patent No.:** **US D958,550 S**
Andersen (45) **Date of Patent:** **** Jul. 26, 2022**

(54) **SOFA**

FOREIGN PATENT DOCUMENTS

(71) Applicant: **Innovation U.S.A., Inc.**, Mission Viejo, CA (US)

CN 109907574 * 6/2019
WO D201905-056 * 10/2018

(72) Inventor: **Per Weiss Andersen**, Randers (DK)

OTHER PUBLICATIONS

(73) Assignee: **INNOVATION U.S.A., INC.**, Mission Viejo, CA (US)

53.15" Round Arm [online], [site visited Jul. 28, 2021], Available from internet, URL: <https://www.wayfair.com/furniture/pdp/mercury-row-teen-5315-round-arm-sleeper-sofa-bed-w004765092.html?piid=58248958> (Year: 2021).*

(**) Term: **15 Years**

(Continued)

(21) Appl. No.: **29/740,296**

(22) Filed: **Jul. 2, 2020**

Primary Examiner — Cynthia Ramirez

Assistant Examiner — Xavier Marti-Santos

(30) **Foreign Application Priority Data**

(74) *Attorney, Agent, or Firm* — Miles & Stockbridge P.C.; David R. Schaffer

Jan. 10, 2020 (EM) 007497425-0010

(51) **LOC (13) Cl.** **06-01**

(57) **CLAIM**

(52) **U.S. Cl.**

The ornamental design for a sofa, as shown and described.

USPC **D6/335**

(58) **Field of Classification Search**

DESCRIPTION

USPC D6/334-336, 349, 369, 377, 379, 381

CPC A47C 17/00; A47C 17/02; A47C 17/04;

A47C 17/045; A47C 17/12; A47C 17/13;

A47C 17/132; A47C 17/134; A47C

17/136; A47C 17/16; A47C 17/162; A47C

17/17; A47C 17/18; A47C 17/86

See application file for complete search history.

FIG. 1 is a left front perspective view of a sofa showing my new design;

FIG. 2 is a right rear perspective view thereof;

FIG. 3 is a left front perspective view, shown in the reclined position thereof;

FIG. 4 is a front elevational view, shown in the non-reclined position thereof;

FIG. 5 is a left elevational view thereof, the right side elevation being a mirror image;

FIG. 6 is a right rear perspective view, shown in the reclined position thereof; and,

FIG. 7 is a top plan view, shown in the non-reclined position thereof.

The broken lines in the figures are for the purpose of illustrating portions of the sofa, which form no part of the claimed design.

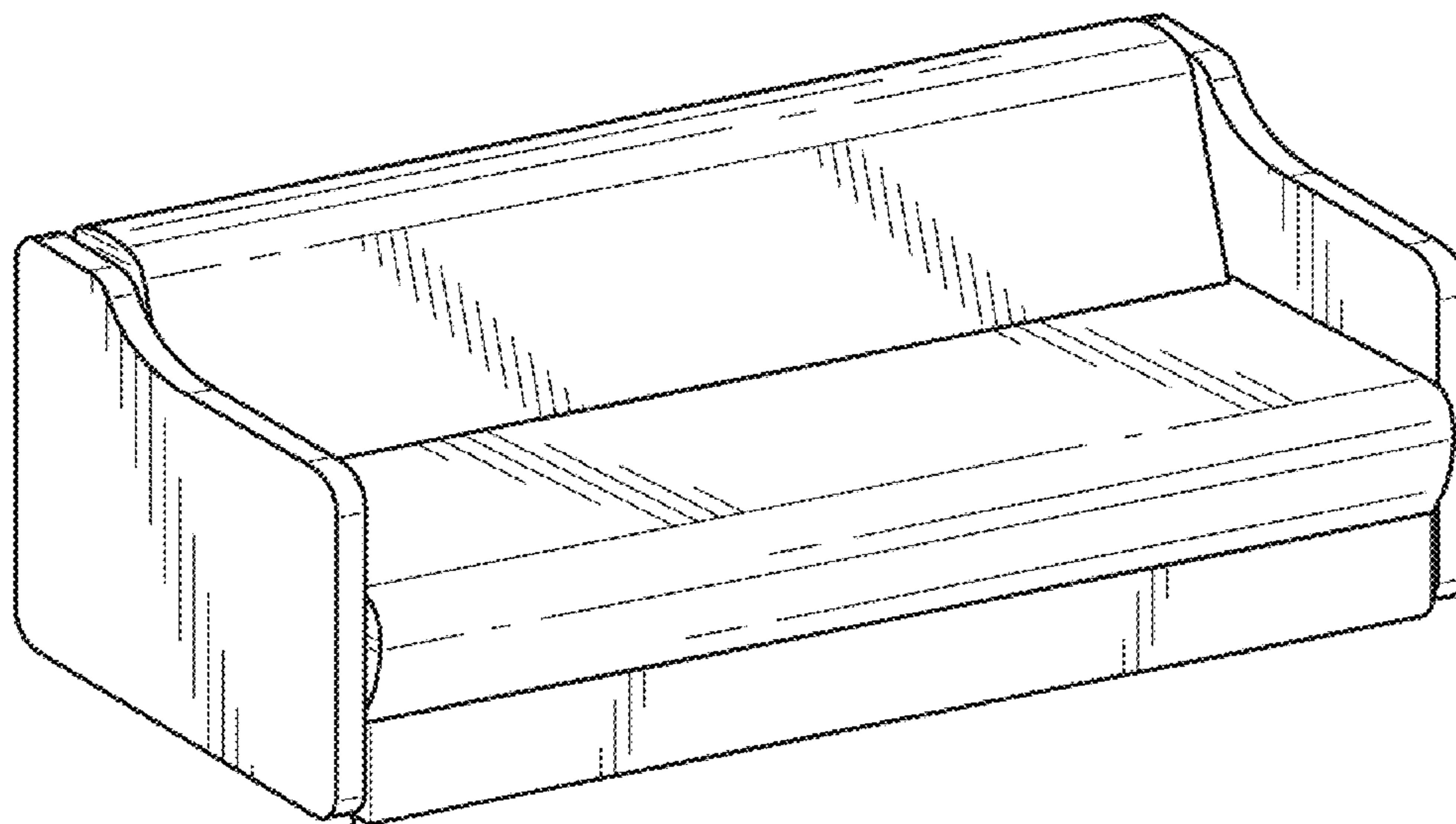
(56) **References Cited**

U.S. PATENT DOCUMENTS

D575,545 S 8/2008 Weiss
D686,002 S * 7/2013 Martin D6/334
D719,754 S * 12/2014 Pathiratne D6/381
D720,943 S * 1/2015 Pathiratne D6/381
D720,944 S * 1/2015 Barber D6/381
D807,654 S * 1/2018 Li D6/335
D904,772 S * 12/2020 Kanthasamy D6/335
D904,773 S * 12/2020 Kanthasamy D6/335
D905,454 S * 12/2020 Kanthasamy D6/335

(Continued)

1 Claim, 3 Drawing Sheets



(56)

References Cited

U.S. PATENT DOCUMENTS

D915,085 S * 4/2021 Kanthasamy D6/336
D915,086 S * 4/2021 Kanthasamy D6/336

OTHER PUBLICATIONS

Phillip Dark Grey Sofa Bed [online], [site visited Jul. 28, 2021], Available from internet, URL: <<https://futonland.com/product/phillip-dark-grey-sofa-bed>> (Year: 2021).*

Vithus Sofa Bed [online], [site visited Jul. 29, 2021], Available from internet, URL: <<https://www.innovationliving.com/products/by-type/sofa-beds/product-details/vithus-sofa-bed?fabric=590-Micro-Check-Grey>> (Year: 2021).*

* cited by examiner

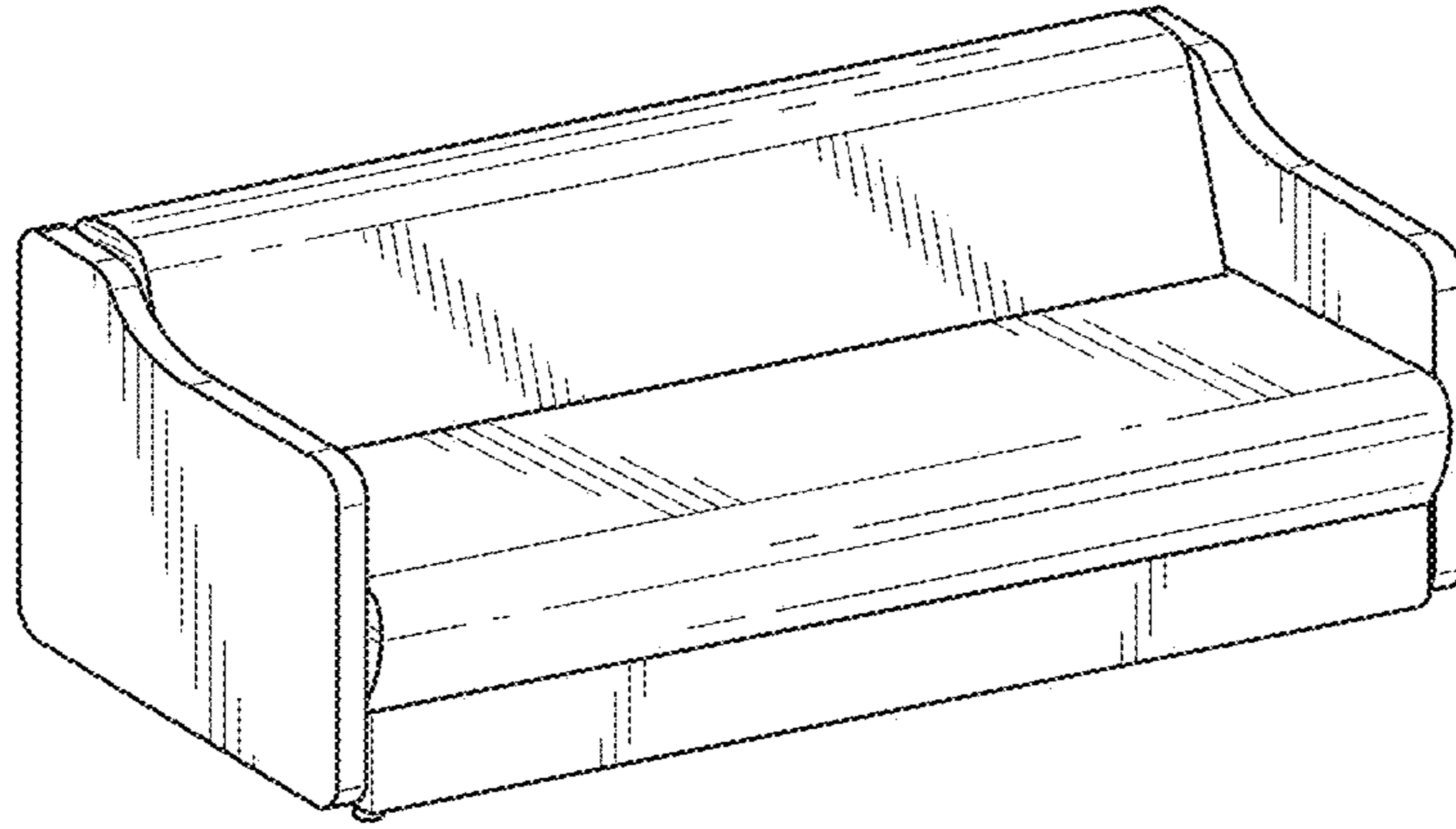


FIG. 1

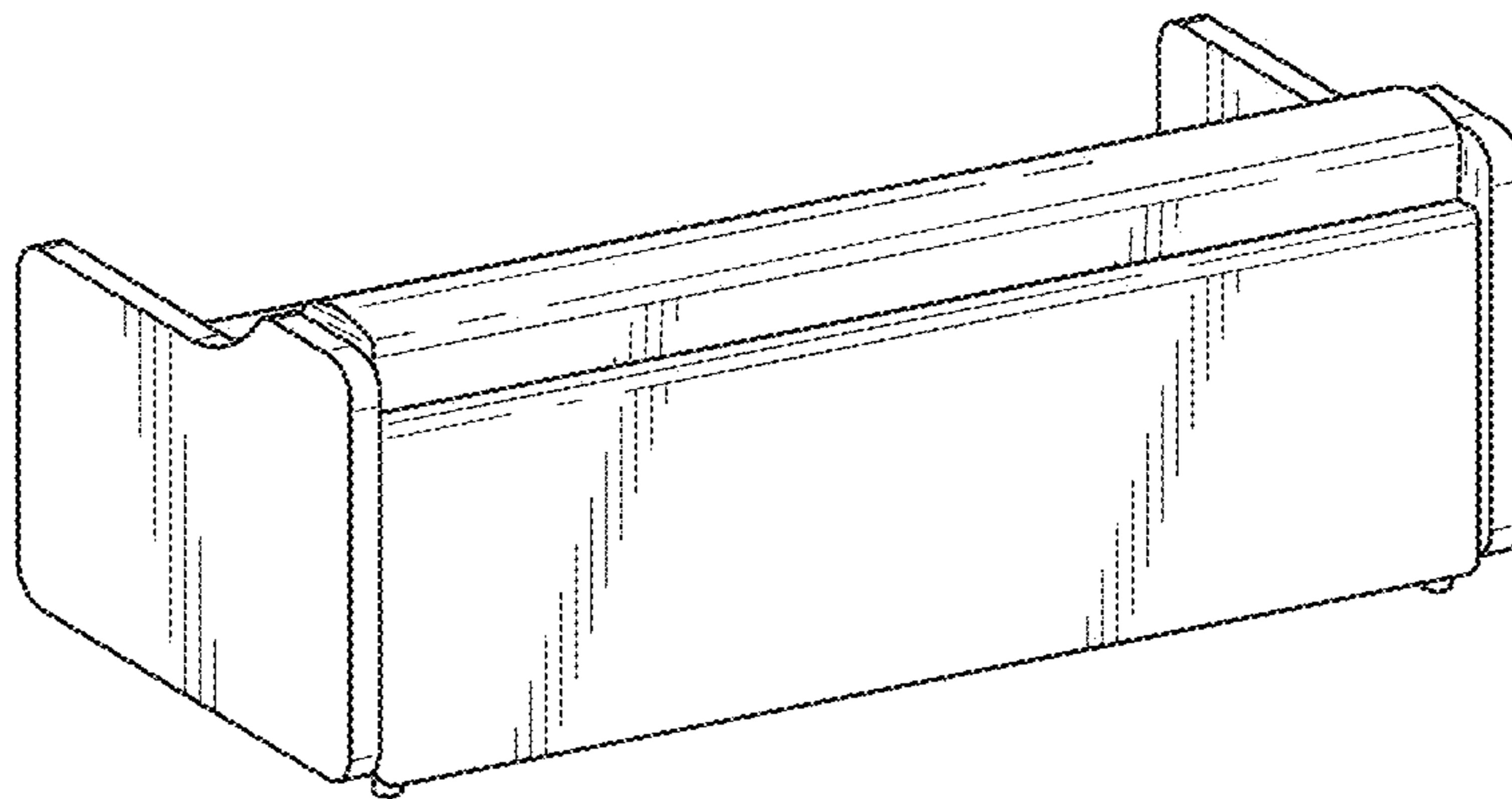


FIG. 2

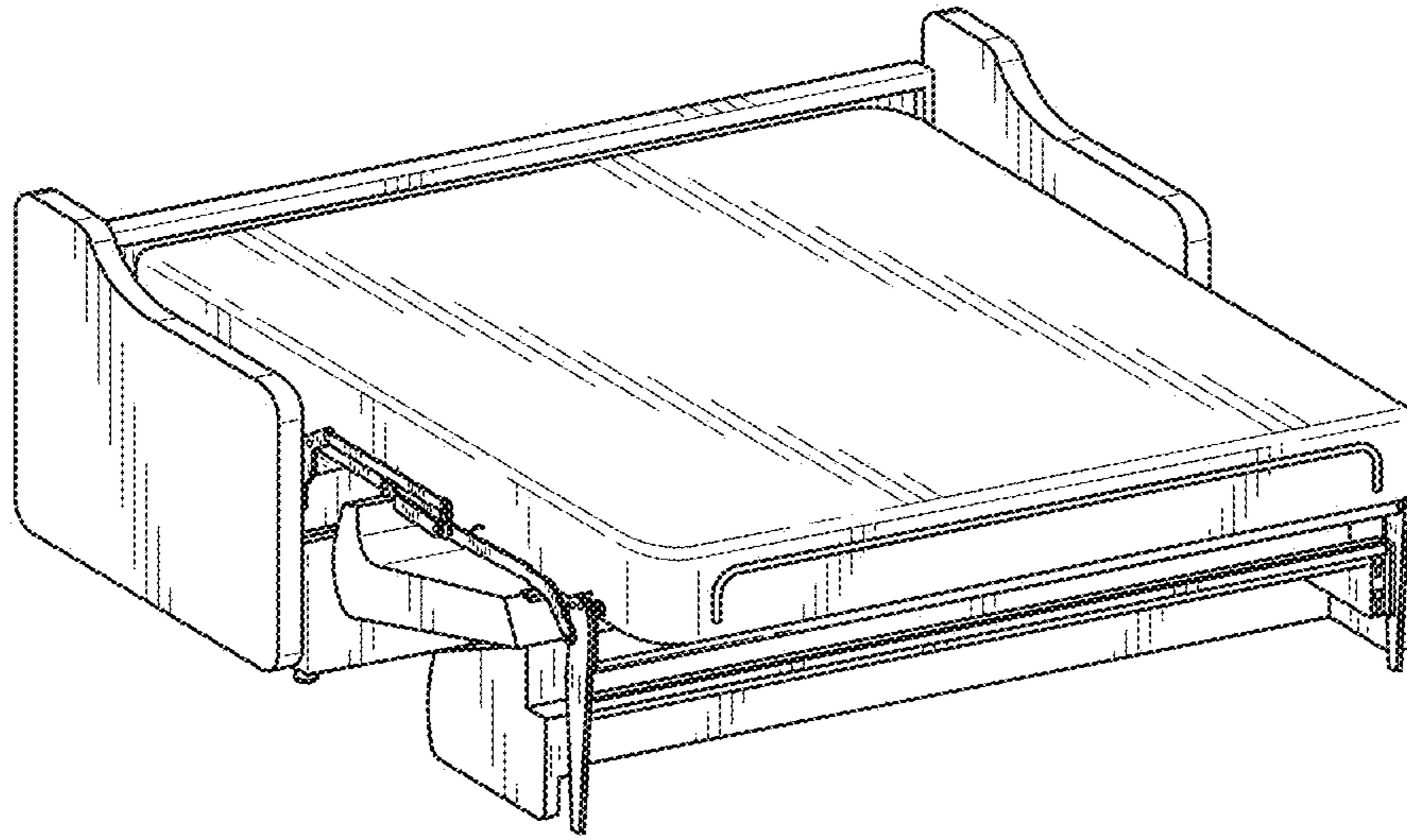


FIG. 3

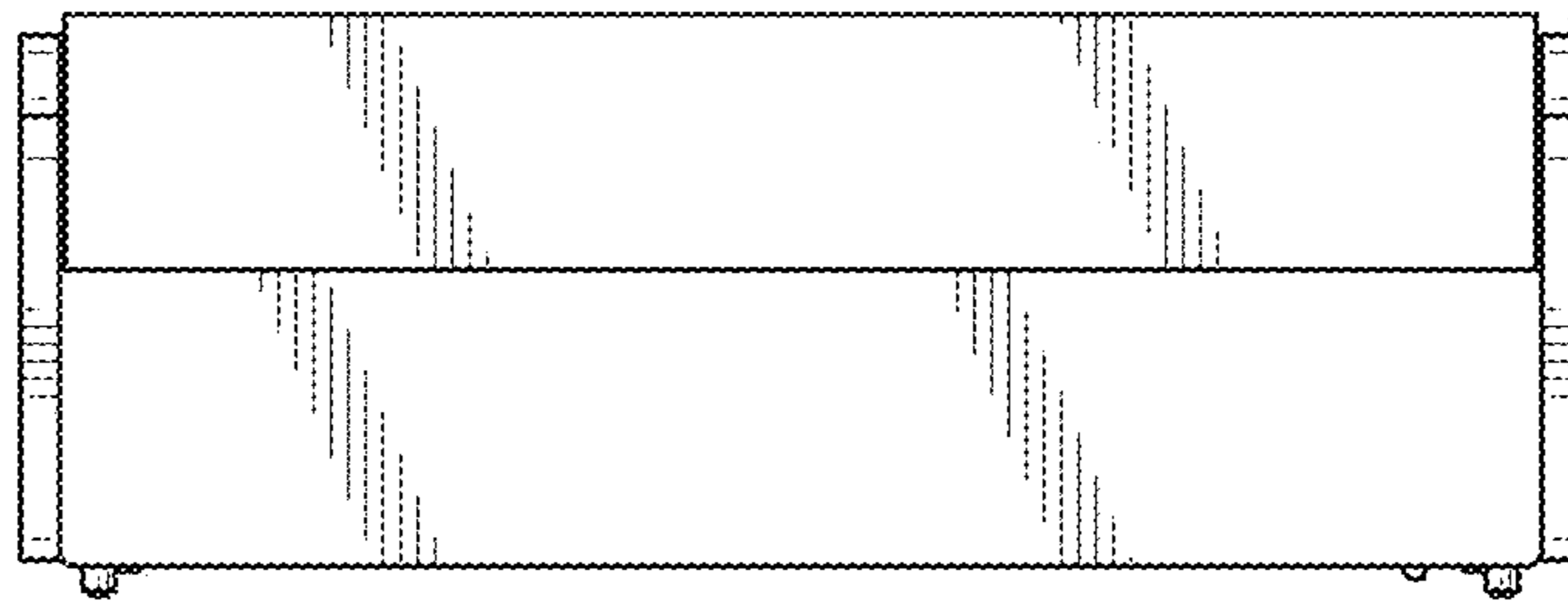


FIG. 4

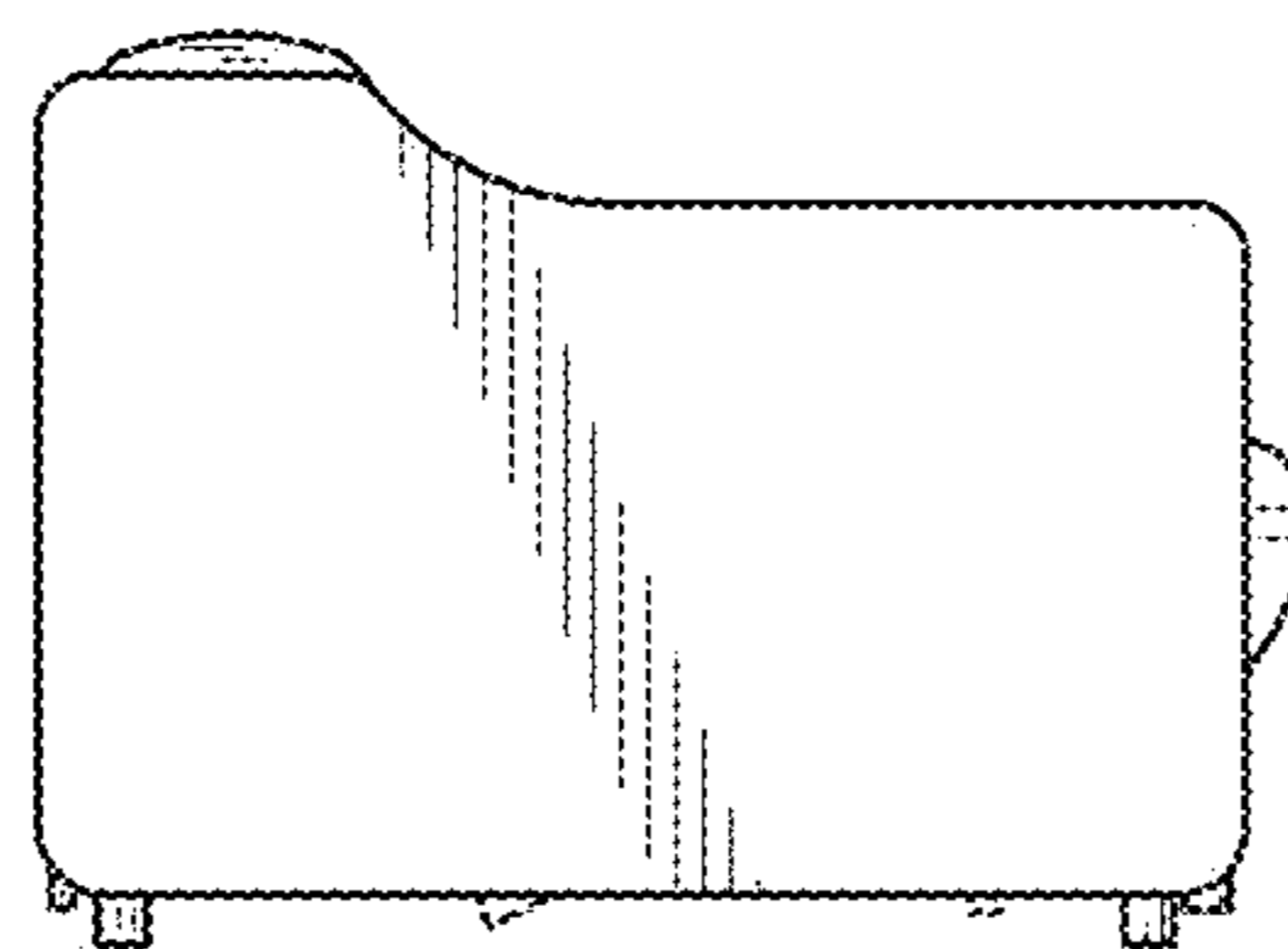


FIG. 5

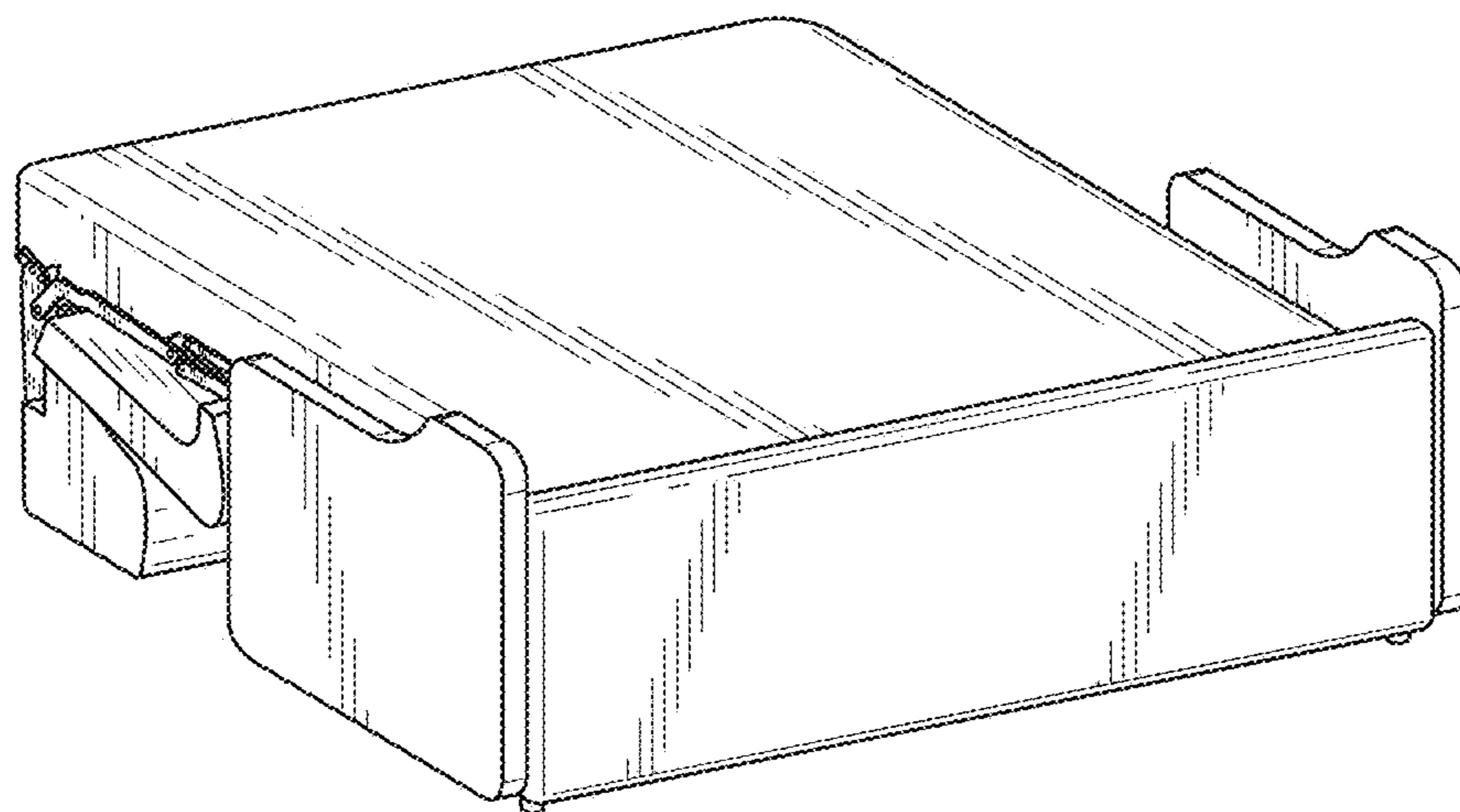


FIG. 6

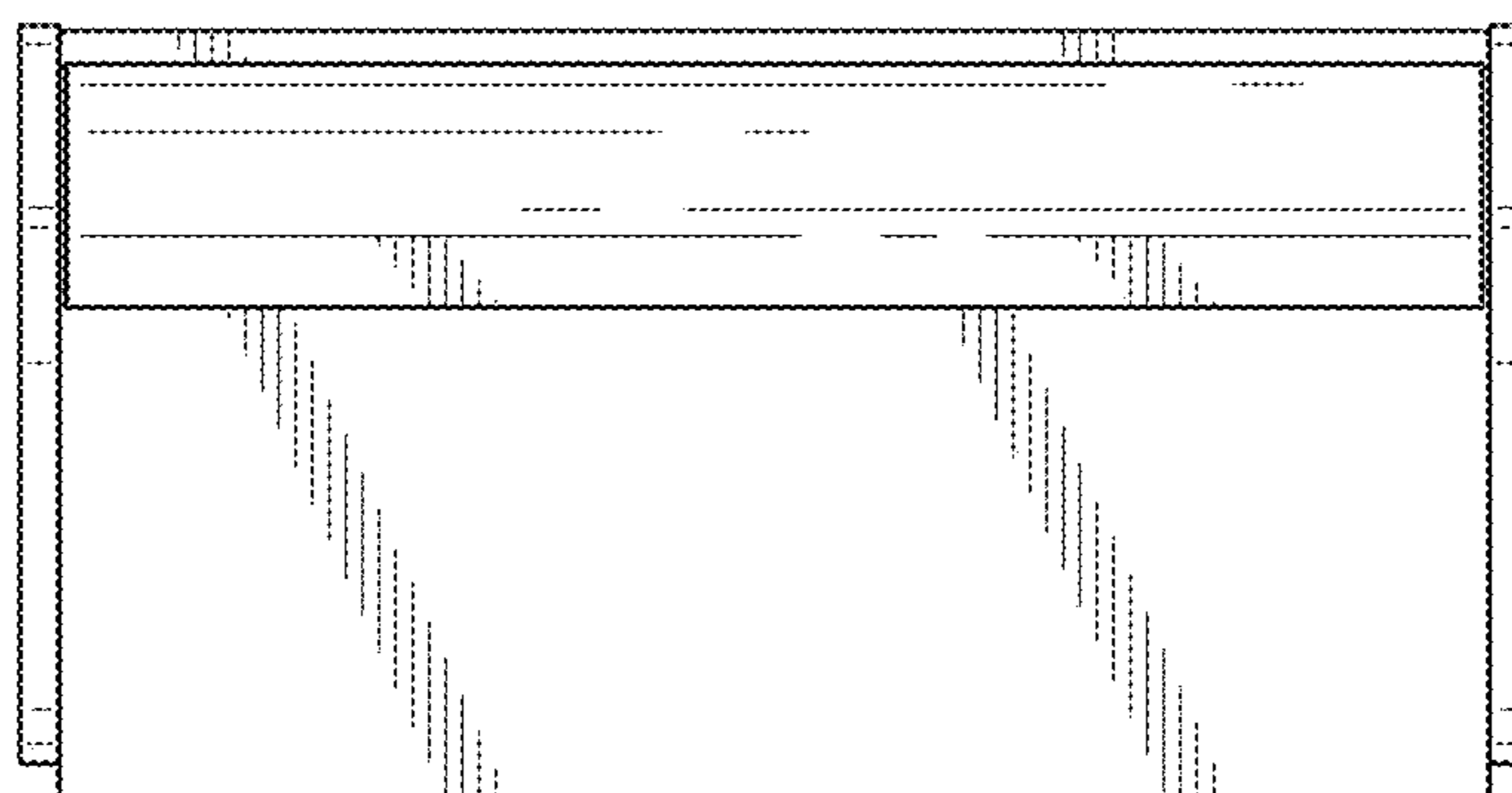


FIG. 7