



US00D958548S

(12) **United States Design Patent** (10) **Patent No.:** **US D958,548 S**  
**Owen** (45) **Date of Patent:** **\*\* Jul. 26, 2022**

(54) **CLOTHES HANGER**  
(71) Applicant: **Jim Owen**, Watertown, SD (US)  
(72) Inventor: **Jim Owen**, Watertown, SD (US)  
(\*\*) Term: **15 Years**  
(21) Appl. No.: **29/769,472**  
(22) Filed: **Feb. 5, 2021**  
(51) **LOC (13) Cl.** ..... **06-08**  
(52) **U.S. Cl.**  
USPC ..... **D6/319**  
(58) **Field of Classification Search**  
USPC ..... D6/315-328  
CPC ..... A47G 25/26; A47G 25/28; A47G 25/30;  
A47G 25/32; A47G 25/34; A47G 25/36;  
A47G 25/38; A47G 25/442; A47G  
25/625; A47G 25/743; A47G 25/1407;  
A47G 25/1457; A47G 2025/1492; A47F  
7/18; A47F 7/19; A47F 7/22  
See application file for complete search history.

(56) **References Cited**  
U.S. PATENT DOCUMENTS  
2,498,400 A 2/1948 Lude  
3,085,724 A 6/1960 Wilde  
3,373,878 A 3/1966 Daitch  
3,528,590 A 2/1969 Nathanson  
4,416,401 A \* 11/1983 King ..... A47G 25/36  
211/113  
D275,248 S \* 8/1984 Parker ..... D6/320  
D276,867 S \* 12/1984 Arnold ..... D6/327  
D276,868 S \* 12/1984 Arnold ..... D6/327  
5,018,698 A 5/1991 Olson  
D360,533 S \* 7/1995 Williams ..... D6/572  
5,839,629 A \* 11/1998 Zuckerman ..... A47G 25/485  
223/85  
6,688,503 B2 \* 2/2004 Viazanko ..... A47G 25/743  
223/89

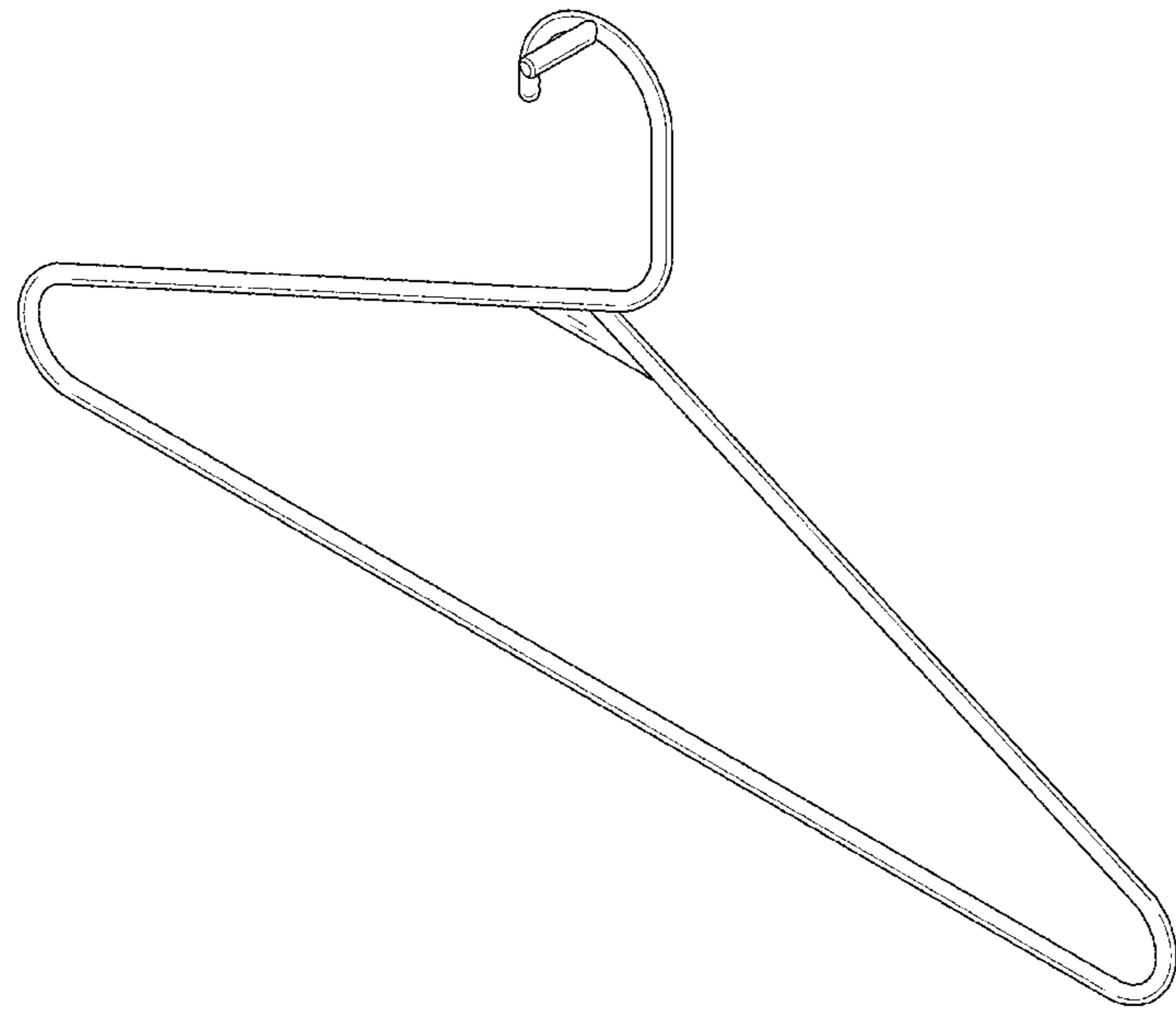
7,028,855 B2 4/2006 Edwards  
7,201,297 B1 \* 4/2007 Baziuk ..... A47G 25/32  
223/85  
D597,749 S \* 8/2009 Heroux ..... D6/319  
D638,632 S \* 5/2011 Lo ..... D6/328  
D709,292 S \* 7/2014 Zeldin ..... D6/319  
8,777,068 B2 \* 7/2014 Diamond ..... A47G 25/186  
223/85  
8,998,044 B1 4/2015 Perrin  
2007/0241143 A1 10/2007 Box

\* cited by examiner  
*Primary Examiner* — Lauren R Calve

(57) **CLAIM**  
The ornamental design for a clothes hanger, as shown and described.

**DESCRIPTION**  
FIG. 1 is a front view of a clothes hanger showing my new design;  
FIG. 2 is a rear view of the clothes hanger;  
FIG. 3 is a right side view of the clothes hanger;  
FIG. 4 is a left side view of the clothes hanger;  
FIG. 5 is a top view of the clothes hanger;  
FIG. 6 is a bottom view of the clothes hanger;  
FIG. 7 is a front isometric view of the clothes hanger;  
FIG. 8 is a front view of a clothes hanger according to a second embodiment;  
FIG. 9 is a rear view of the clothes hanger of FIG. 8;  
FIG. 10 is a left side view of the clothes hanger of FIG. 8;  
FIG. 11 is a right side view of the clothes hanger of FIG. 8;  
FIG. 12 is a top view of the clothes hanger of FIG. 8;  
FIG. 13 is a bottom view of the clothes hanger of FIG. 8;  
and,  
FIG. 14 is a front isometric view of the clothes hanger of FIG. 8.

**1 Claim, 10 Drawing Sheets**



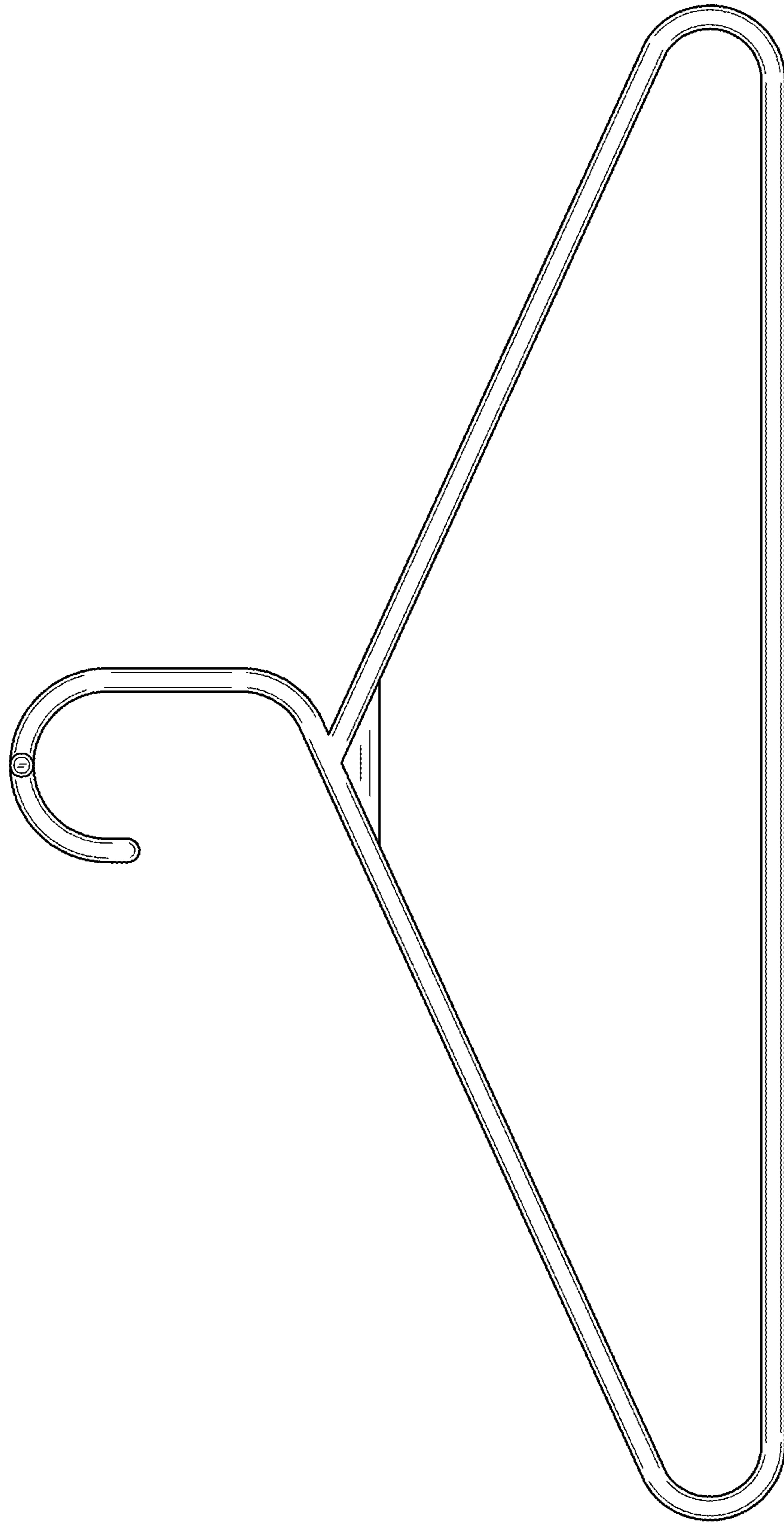


FIG. 1

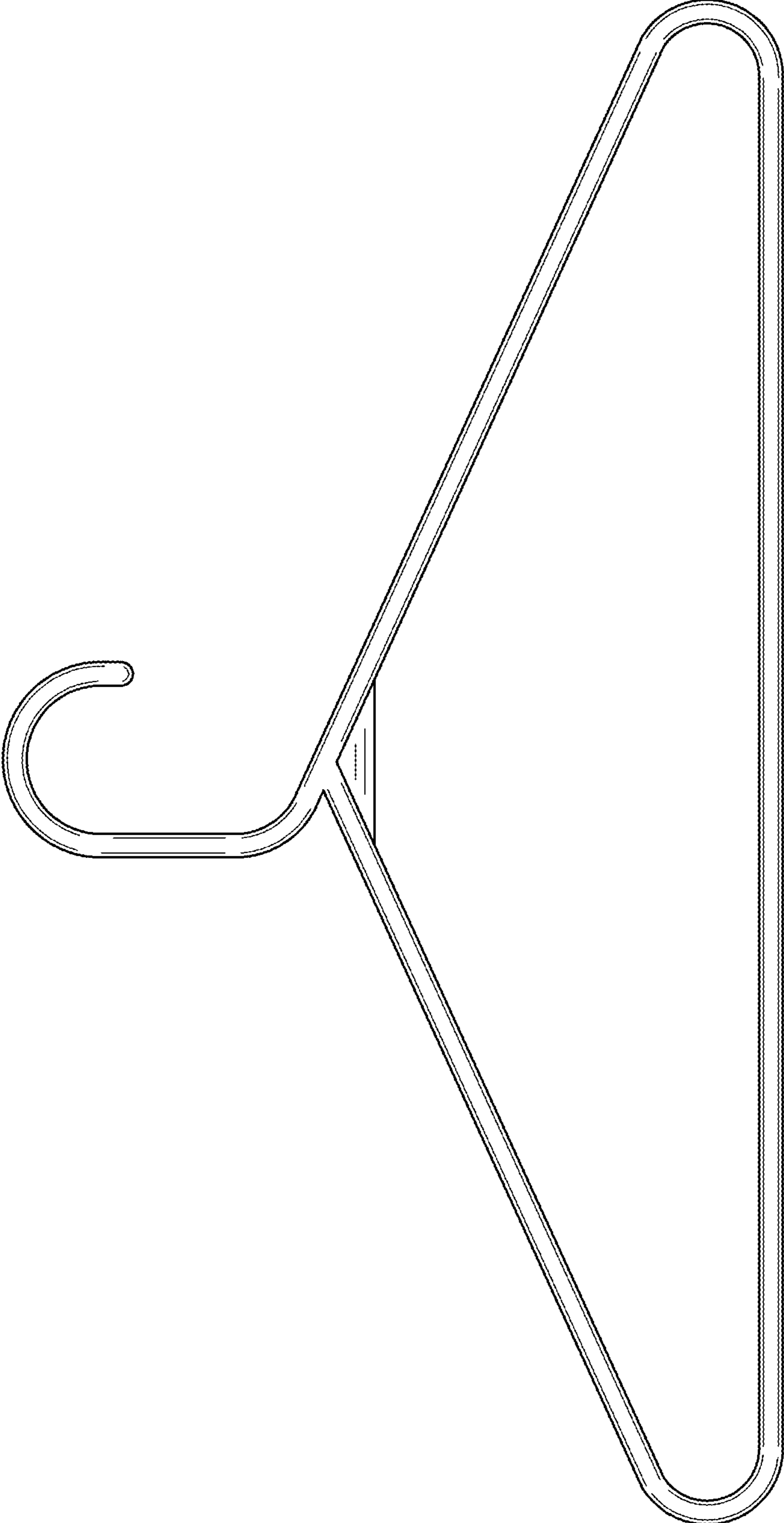


FIG. 2

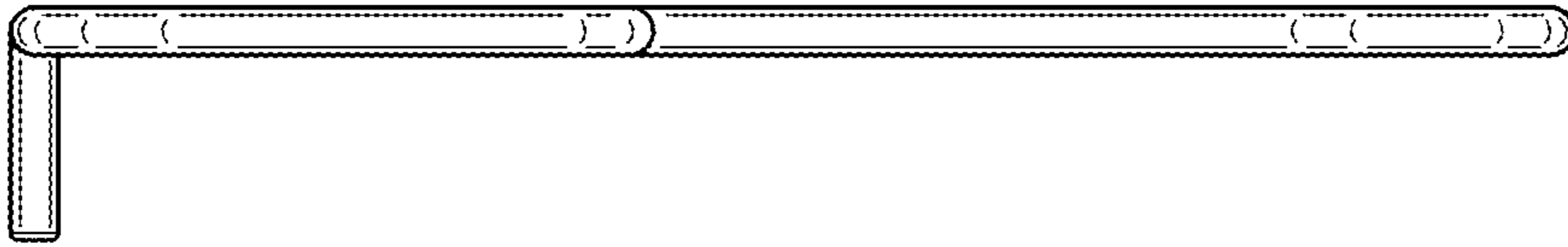


FIG. 4

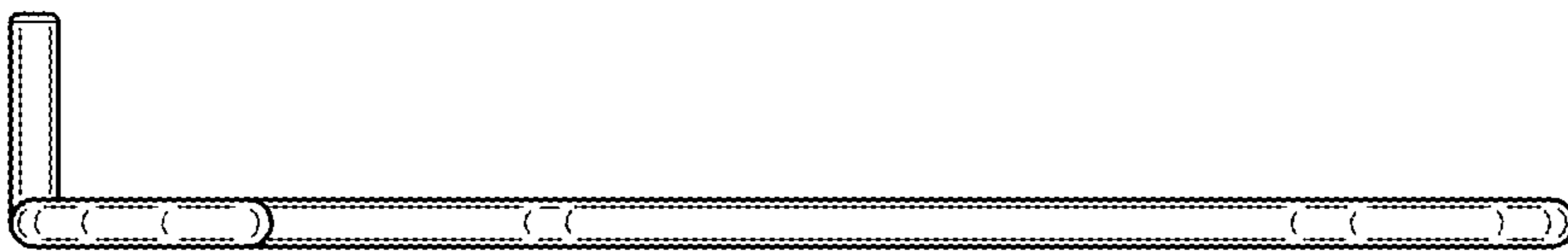


FIG. 3

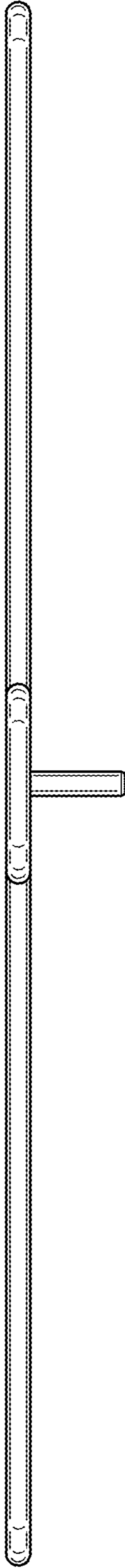


FIG. 5

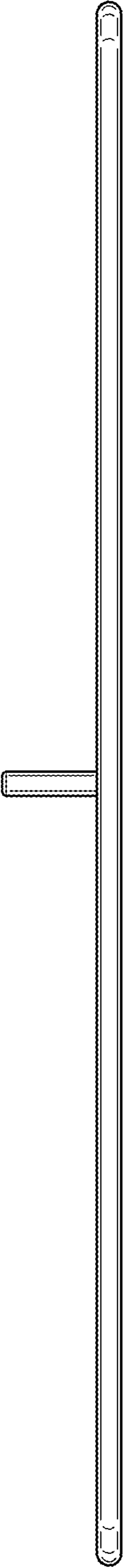


FIG. 6

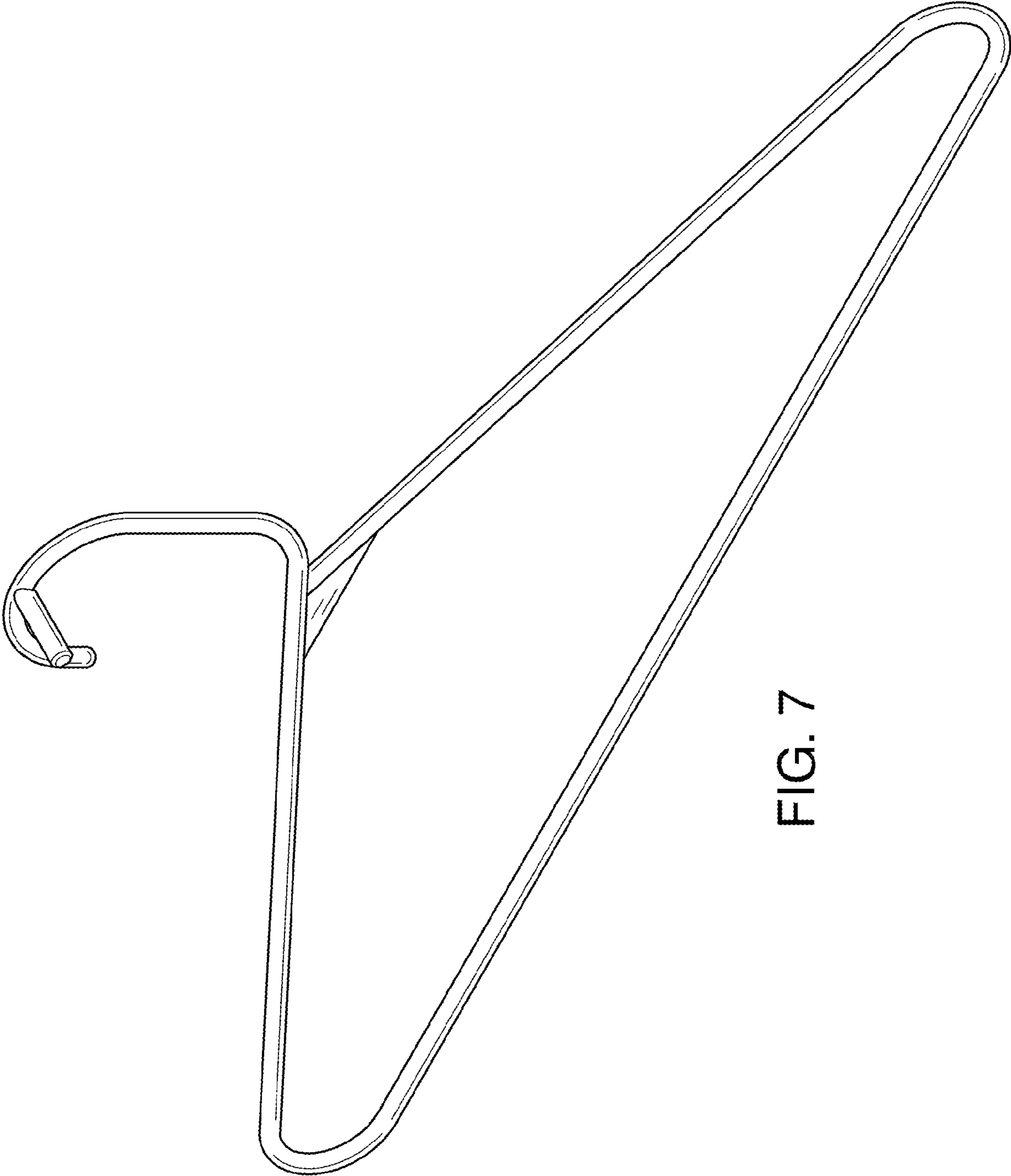


FIG. 7

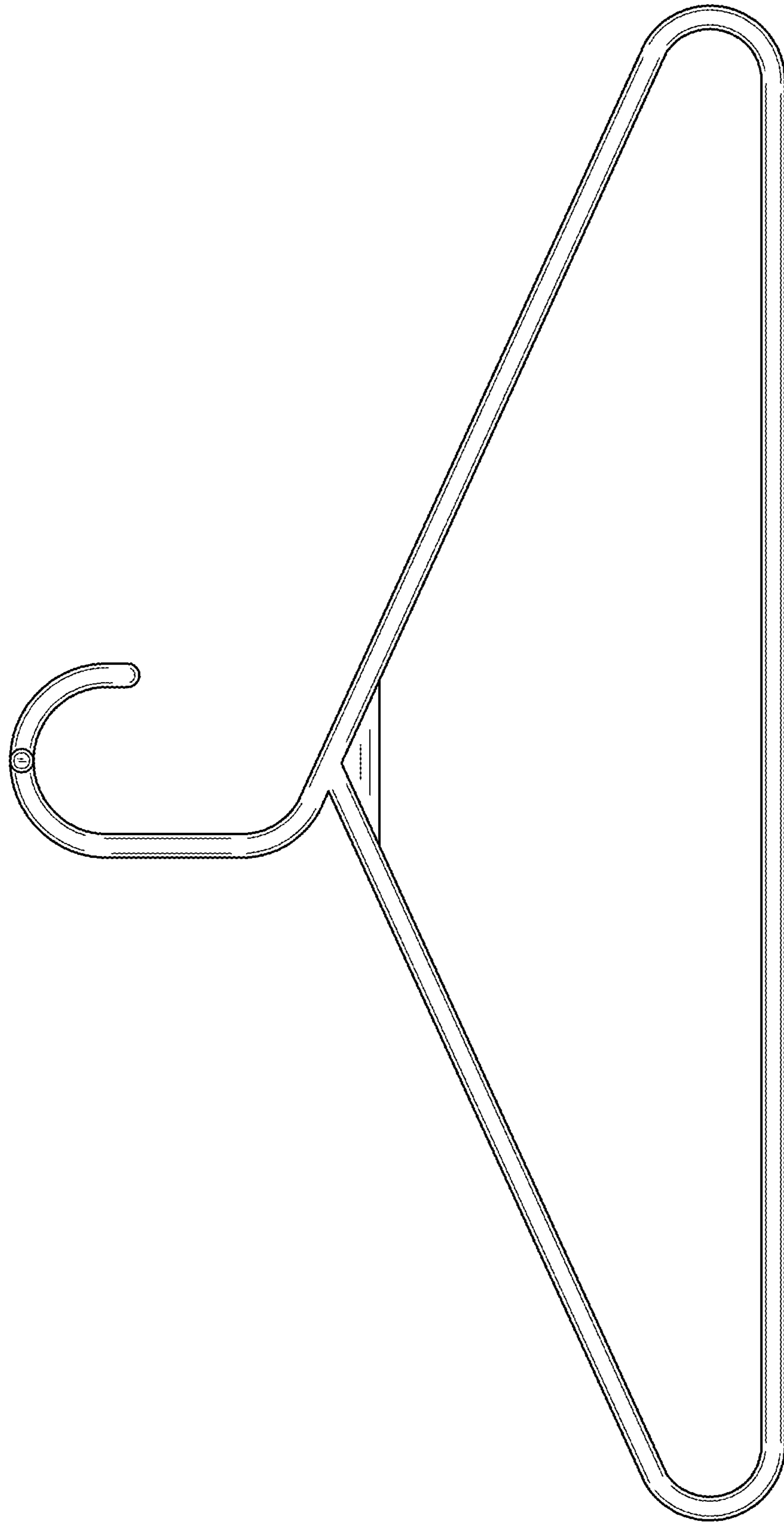


FIG. 8

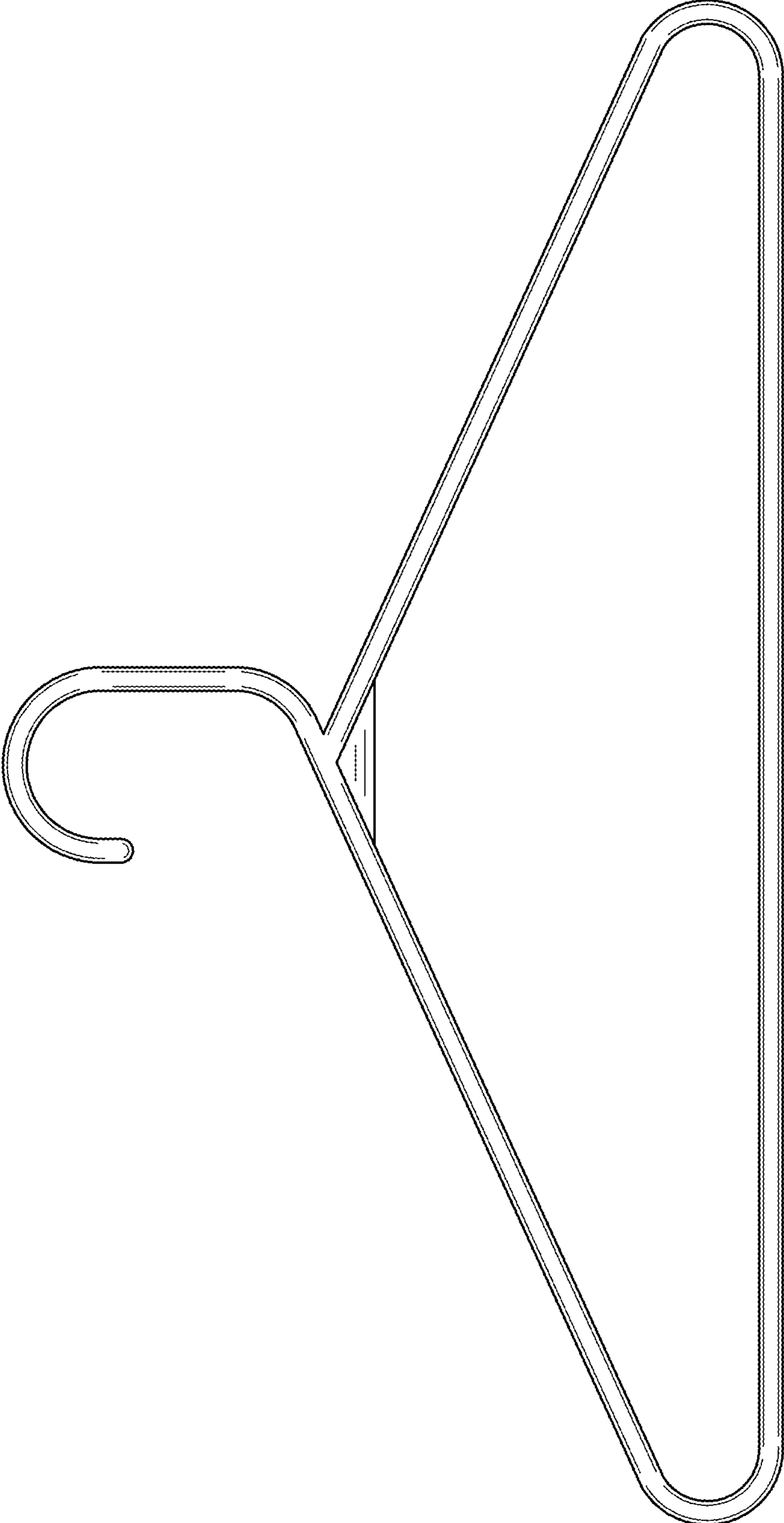


FIG. 9



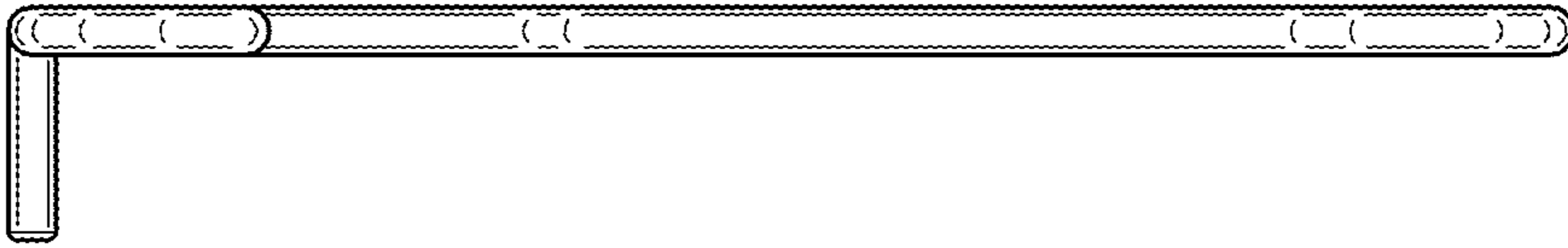


FIG. 11

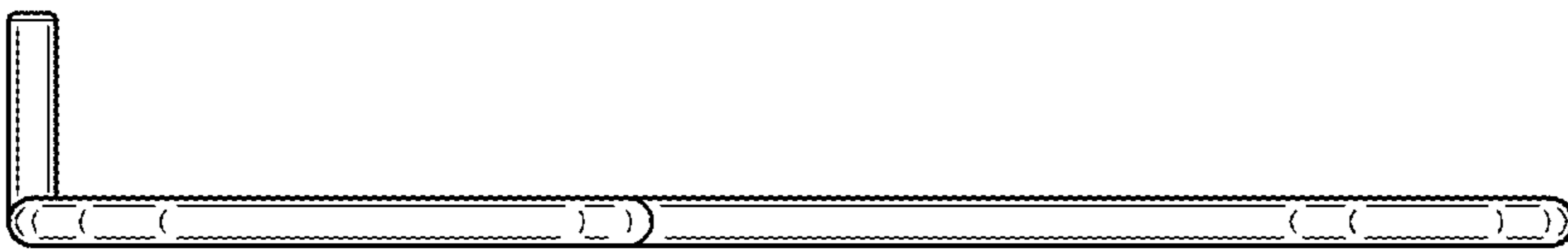


FIG. 10

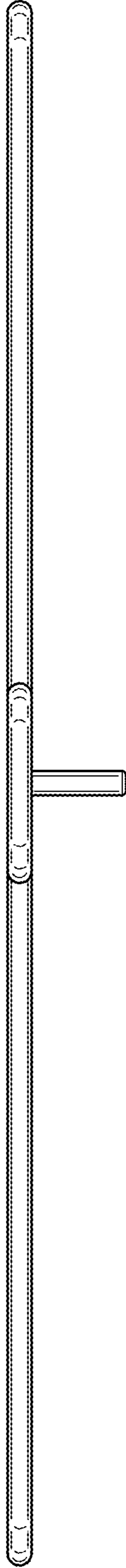


FIG. 12

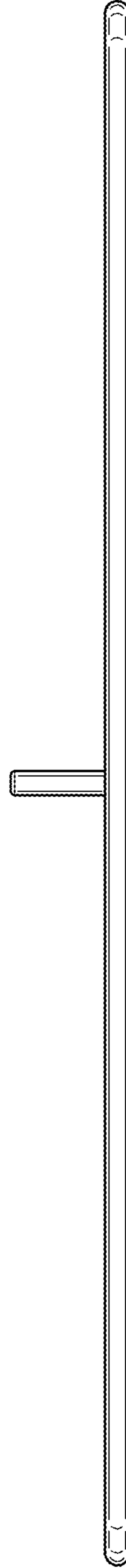


FIG. 13

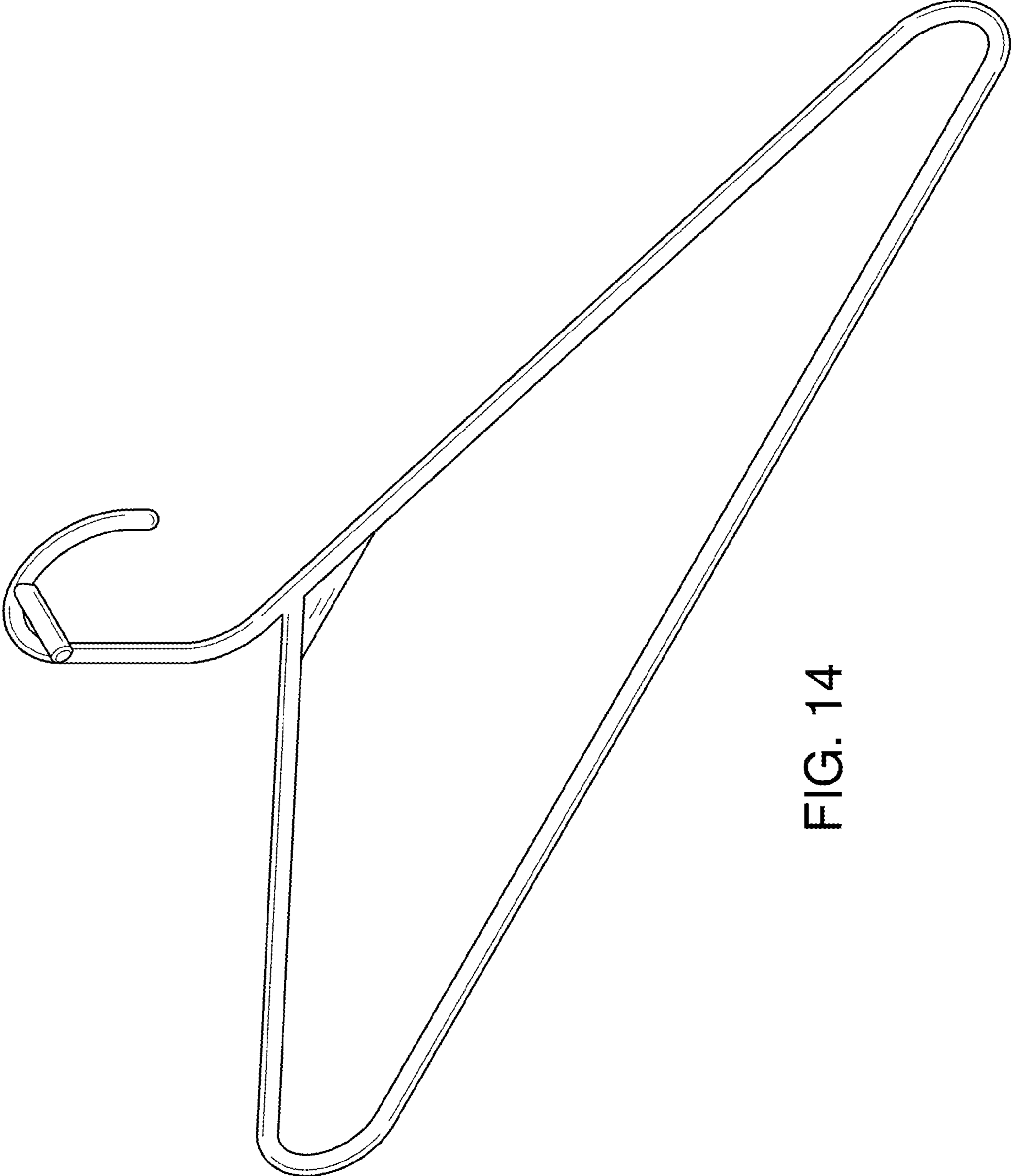


FIG. 14