



US00D958547S

(12) **United States Design Patent** (10) **Patent No.:** **US D958,547 S**  
**Park et al.** (45) **Date of Patent:** **\*\* Jul. 26, 2022**

(54) **PHOTO DISPLAY ASSEMBLY**

FOREIGN PATENT DOCUMENTS

(71) Applicant: **Umbra LLC**, Buffalo, NY (US)

EM 008763734-0001 \* 12/2021  
EM 008884241-0001 \* 3/2022

(72) Inventors: **Sung Wook Park**, Toronto (CA);  
**David Fleishman**, Toronto (CA)

(Continued)

(73) Assignee: **Umbra LLC**, Buffalo, NY (US)

OTHER PUBLICATIONS

(\*\*) Term: **15 Years**

Umbra Exhibit Multi Picture Frame Photo Display [online], [site visited 05/00/2022]. Available from internet, URL: <[https://www.amazon.ca/Umbra-Exhibit-Multi-Picture-Display/dp/B07WRTLML/ref=sr\\_1\\_1?crd=NLMW50SDJJCR&keywords=B07WRTLML&qid=1651689063&sprefix=b07wrtlml%2Caps%2C729&sr=8-1&th=1](https://www.amazon.ca/Umbra-Exhibit-Multi-Picture-Display/dp/B07WRTLML/ref=sr_1_1?crd=NLMW50SDJJCR&keywords=B07WRTLML&qid=1651689063&sprefix=b07wrtlml%2Caps%2C729&sr=8-1&th=1)> (Year: 2019).\*

(21) Appl. No.: **29/748,648**

(22) Filed: **Aug. 31, 2020**

(51) **LOC (13) Cl.** ..... **06-07**

(52) **U.S. Cl.**  
USPC ..... **D6/302**

(58) **Field of Classification Search**  
USPC ..... D6/300, 301, 302, 303, 304, 307, 308,  
D6/309, 310, 311, 312, 313, 314;  
D20/10, 27  
CPC ..... A47G 1/06; A47G 1/0605; A47G 1/0616;  
A47G 1/0638; A47G 1/08; A47G 1/14;  
A47G 1/142; A47G 1/16; A47G 1/1613;  
A47G 2001/0688; A47G 2001/0694;  
A47G 2001/148; G09G 2380/16

See application file for complete search history.

*Primary Examiner* — Cynthia Ramirez

*Assistant Examiner* — Xavier Marti-Santos

(74) *Attorney, Agent, or Firm* — Simpson & Simpson,  
PLLC

(57) **CLAIM**

The ornamental design for a photo display assembly, as shown and described.

**DESCRIPTION**

FIG. 1 is a front perspective view of the photo display assembly of the present invention;  
FIG. 2 is a front elevational view of the photo display assembly shown in FIG. 1;  
FIG. 3 is a rear elevational view of the photo display assembly shown in FIG. 1;  
FIG. 4 is a left side elevational view of the invention shown in FIG. 1;  
FIG. 5 is a right side elevational view of the invention shown in FIG. 1;  
FIG. 6 is a top plan view of the invention shown in FIG. 1; and,  
FIG. 7 is a bottom plan view of the invention shown in FIG. 1.  
Shading lines are included in various views to depict that the panes in the photo display are transparent.

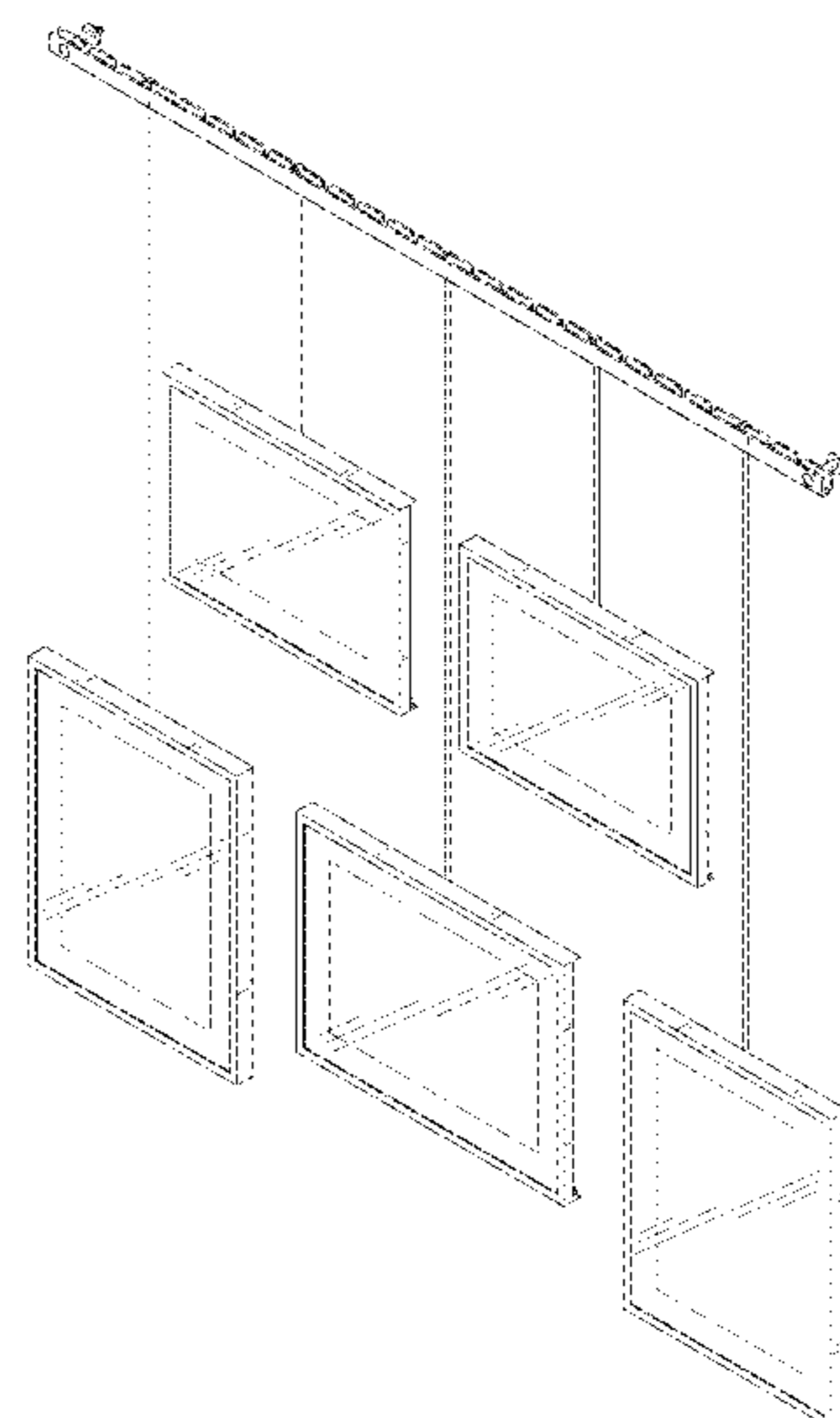
(56) **References Cited**

U.S. PATENT DOCUMENTS

1,442,036 A \* 1/1923 Lindsay ..... A47G 1/1686  
248/495  
3,676,942 A \* 7/1972 Elrod ..... A47F 7/143  
40/617  
6,119,999 A \* 9/2000 Fleishman ..... A47G 1/1686  
248/495  
D463,674 S \* 10/2002 Wu ..... D6/306  
D465,932 S \* 11/2002 Henick ..... D6/302  
6,820,853 B1 \* 11/2004 DuBarry ..... A47G 1/1686  
248/495  
D528,804 S \* 9/2006 Boergens ..... D6/301

(Continued)

**1 Claim, 5 Drawing Sheets**



(56)

**References Cited**

U.S. PATENT DOCUMENTS

7,523,574 B2 \* 4/2009 Henick ..... G09F 7/18  
40/617  
8,646,197 B2 \* 2/2014 Clark ..... G09F 7/18  
248/490  
D852,276 S \* 6/2019 Lim ..... D20/43  
2005/0001136 A1 \* 1/2005 Fleishman ..... A47G 1/1686  
248/498  
2016/0073796 A1 \* 3/2016 Nesbitt ..... A47G 1/1686  
40/711

FOREIGN PATENT DOCUMENTS

EM 008884241-0002 \* 3/2022  
GB 9008159107-0001 \* 9/2020

\* cited by examiner

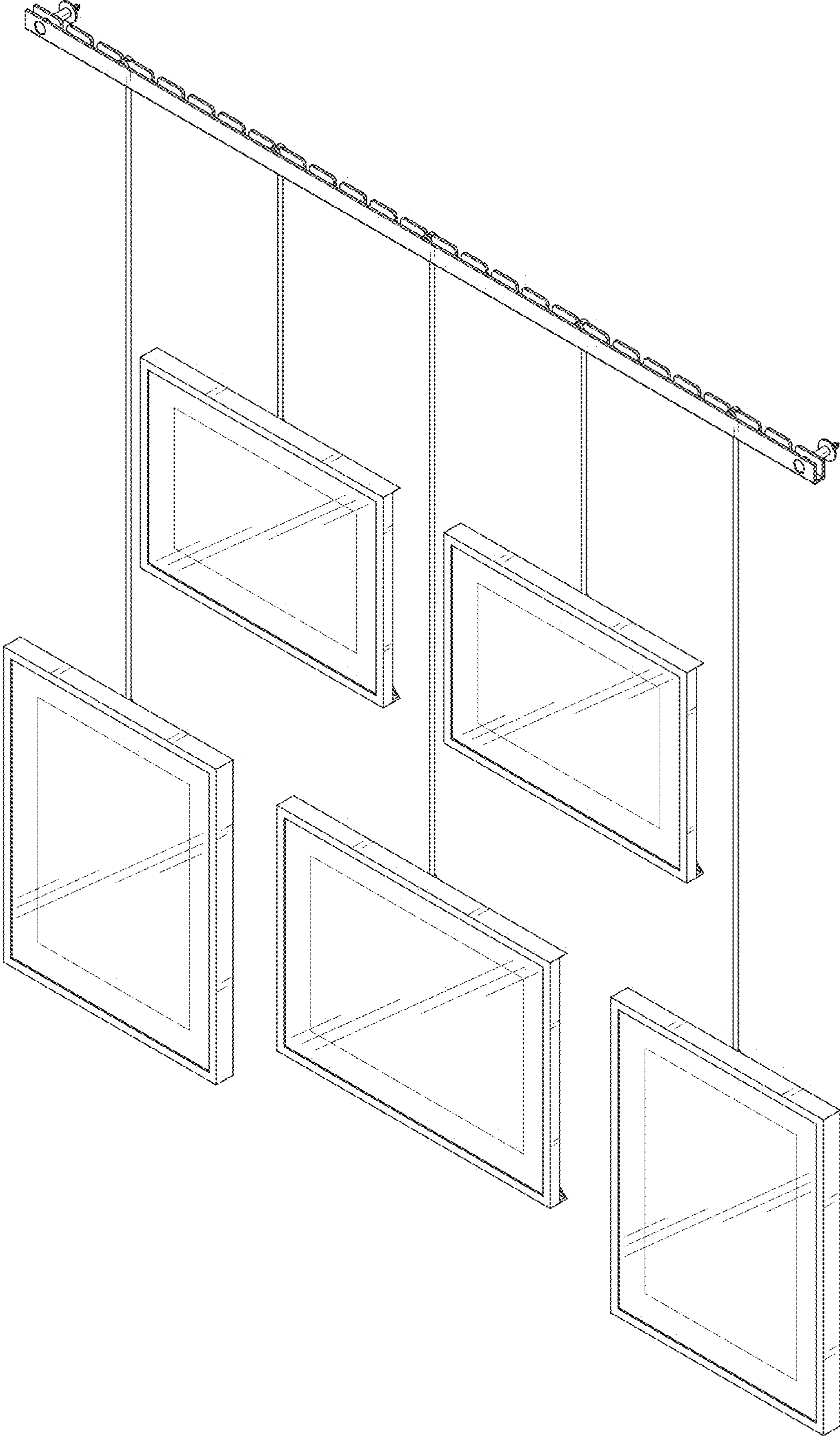


FIG. 1

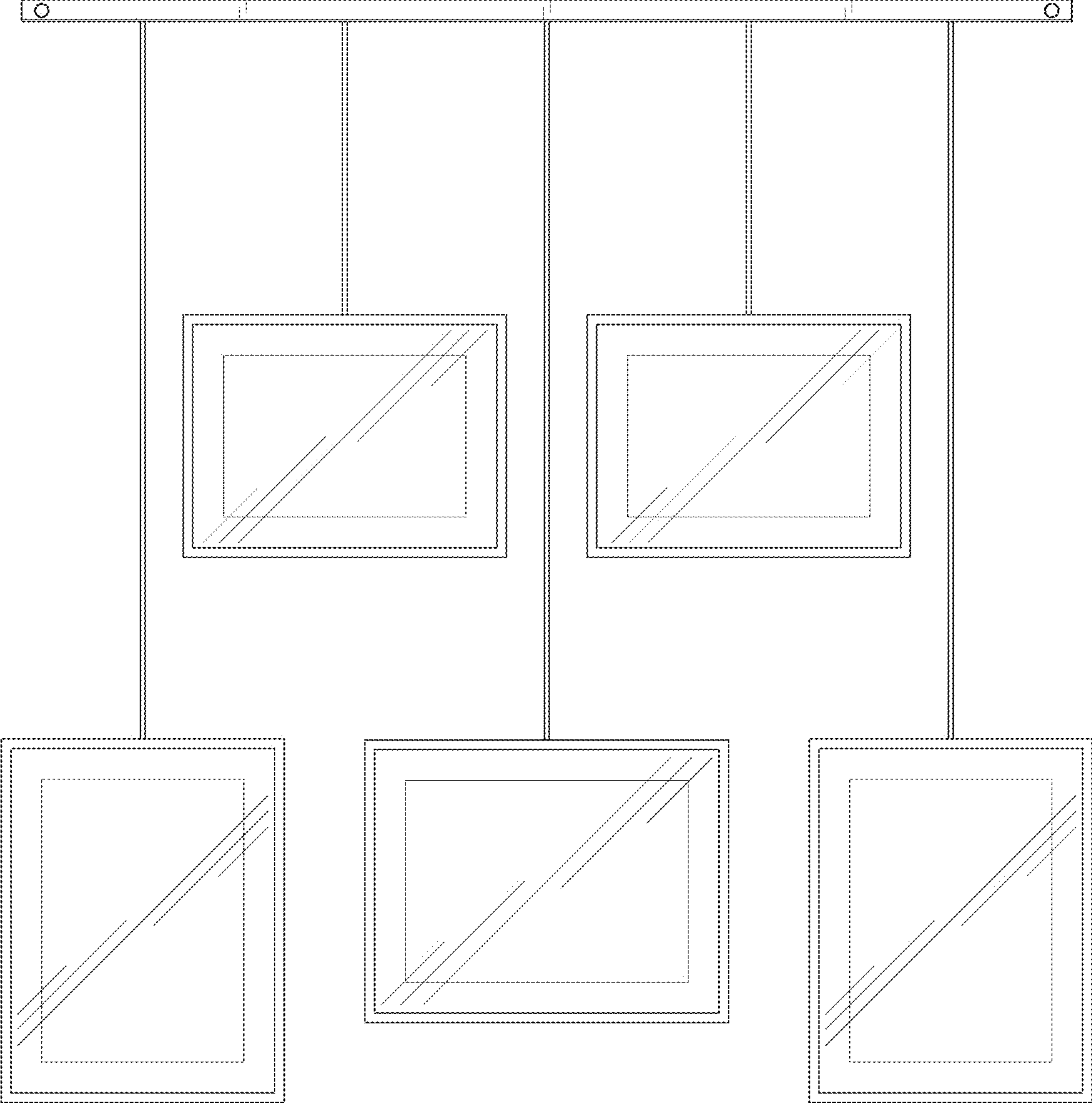


FIG. 2



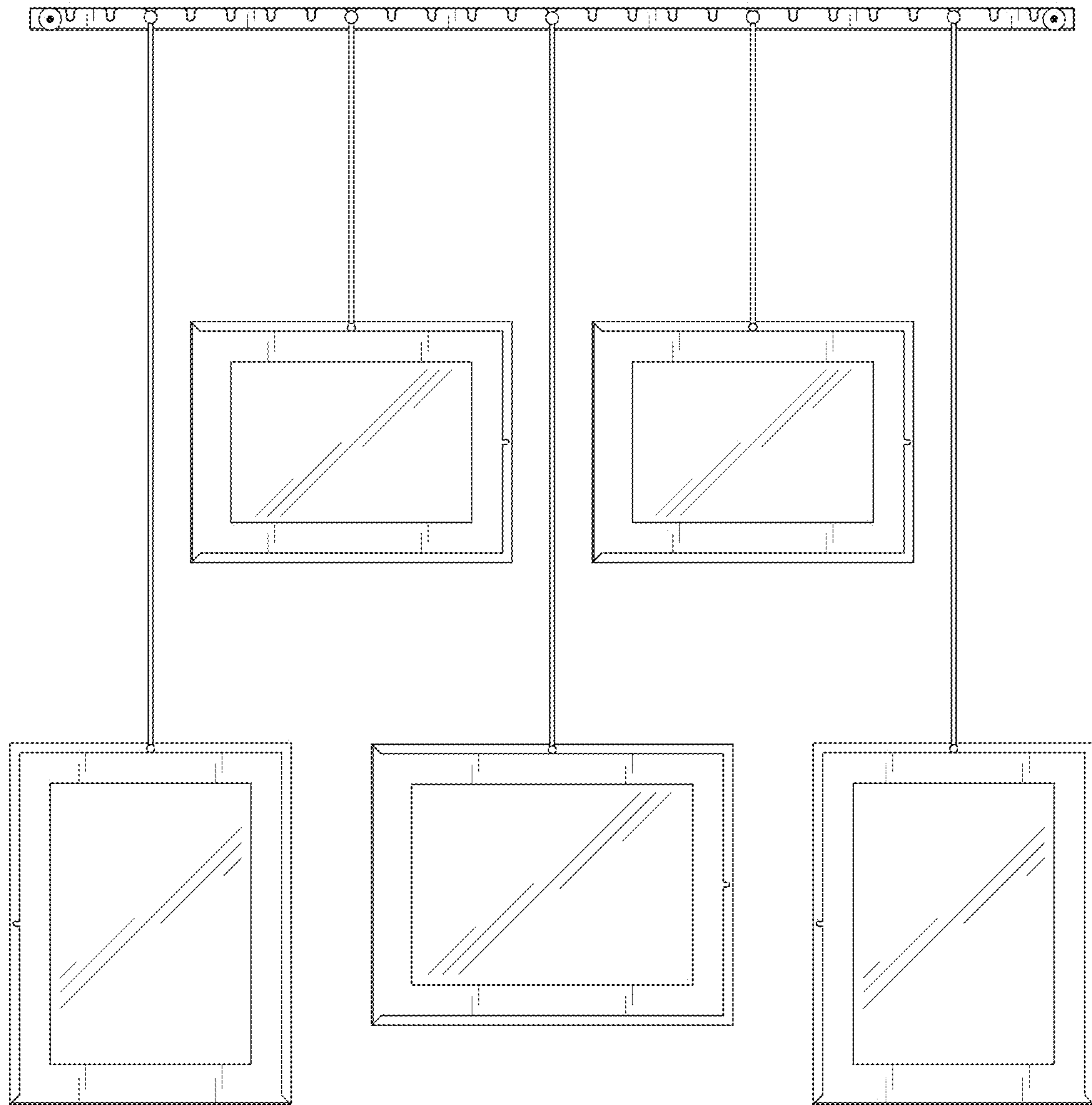


FIG. 3



FIG. 4

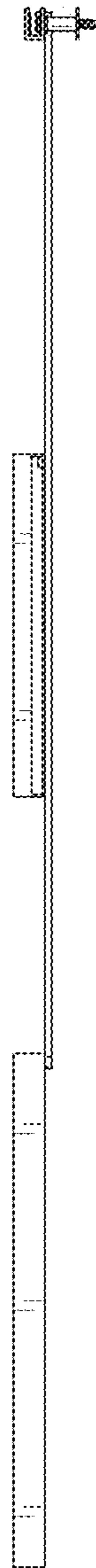


FIG. 5



FIG. 6

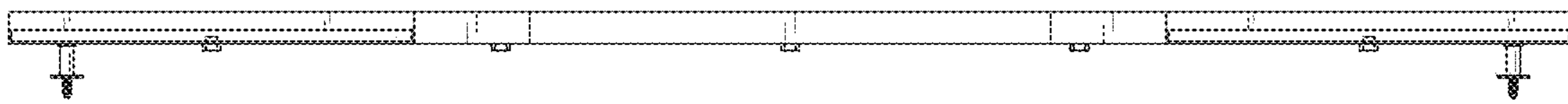


FIG. 7