



US00D958545S

(12) **United States Design Patent** (10) **Patent No.:** **US D958,545 S**
Bennion et al. (45) **Date of Patent:** **** Jul. 26, 2022**

(54) **GRILL BRUSH**

D741,605 S * 10/2015 Witzel A46B 17/08
D4/132

(71) Applicant: **Weber-Stephen Products LLC**,
Palatine, IL (US)

10,239,095 B2 3/2019 Shereck
2005/0086754 A1* 4/2005 Dalias A47L 13/12
15/160

(72) Inventors: **Derek Bennion**, Chicago, IL (US);
Romualdo Sonny Siazon, Woodstock,
IL (US); **Teresa Vitale**, Rolling
Meadows, IL (US)

(Continued)

(73) Assignee: **WEBER-STEPHEN PRODUCTS
LLC**, Palatine, IL (US)

OTHER PUBLICATIONS

Cuisinart Brush, announced Jun. 2020 [online], [site visited Mar. 29,
2022]. Available from internet, URL: <https://www.walmart.com/ip/Cuisinart-18-Bamboo-Cleaning-Grill-Brush-With-Stainless-Steel-Scrapers/978173818?w13=1904&selectedSellerId=0> (Year: 2020).*

(Continued)

(**) Term: **15 Years**

Primary Examiner — Cynthia Ramirez

(21) Appl. No.: **29/739,339**

Assistant Examiner — Tamara L Hahn

(22) Filed: **Jun. 24, 2020**

(74) *Attorney, Agent, or Firm* — Hanley, Flight &
Zimmerman, LLC

(51) **LOC (13) Cl.** **04-99**

(52) **U.S. Cl.**
USPC **D4/127**

(57) **CLAIM**

(58) **Field of Classification Search**
USPC D4/102, 109, 110, 111, 127, 128, 132,
D4/133, 134, 137, 199
CPC . A47L 13/06; A47L 17/00; A46B 2200/3093;
A46B 2200/3033
See application file for complete search history.

The ornamental design for a grill brush, as shown and
described.

DESCRIPTION

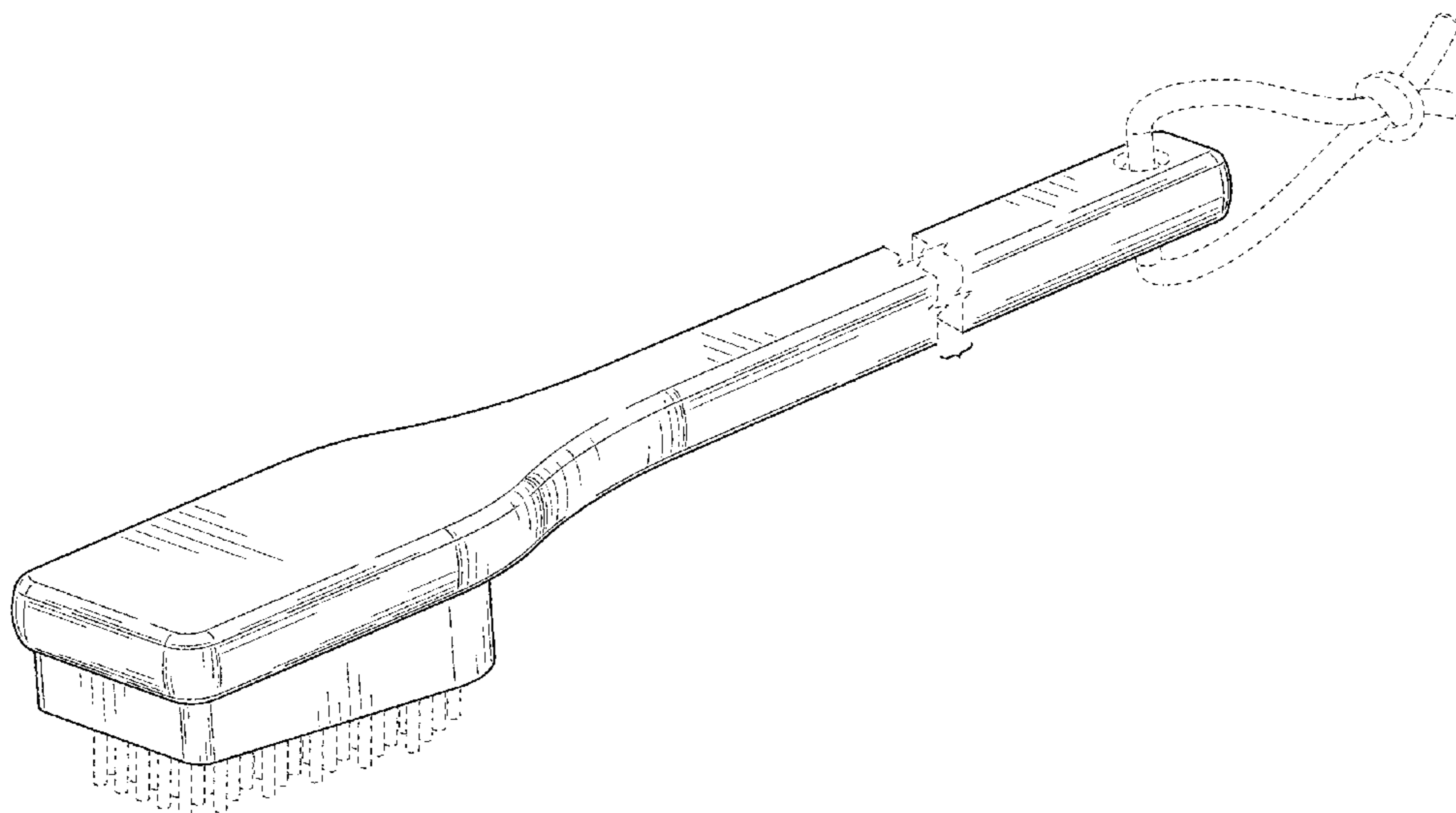
(56) **References Cited**

U.S. PATENT DOCUMENTS

D455,272 S	4/2002	Zemel	
D456,614 S	5/2002	Zemel	
D513,127 S *	12/2005	Hay	D4/134
7,039,983 B1	5/2006	Outlaw	
D531,853 S	11/2006	Zemel	
D532,609 S	11/2006	Zemel	
D535,147 S	1/2007	Zemel	
D561,477 S	2/2008	Zemel	
D562,009 S	2/2008	Zemel	
D572,011 S	7/2008	Zemel	
D681,345 S	5/2013	Wales	
D711,110 S	8/2014	Gonzalez et al.	

FIG. 1 is a perspective view of a grill brush.
FIG. 2 is a right side view of the grill brush of FIG. 1.
FIG. 3 is a left side view of the grill brush of FIG. 1.
FIG. 4 is a front view of the grill brush of FIG. 1.
FIG. 5 is a rear view of the grill brush of FIG. 1.
FIG. 6 is a top view of the grill brush of FIG. 1; and,
FIG. 7 is a bottom view of the grill brush of FIG. 1.
The broken lines in the drawings depict portions of the grill
brush that form no part of the claimed design.
The lighter solid lines denote surfaces and contours. Line
shading is not surface ornamentation.
The handle shown in the drawings is shown with a symbolic
break in its length. The appearance of any portion of the
article between the break lines forms no part of the claimed
design.

1 Claim, 3 Drawing Sheets



(56)

References Cited

U.S. PATENT DOCUMENTS

2005/0086755 A1* 4/2005 Dalias A46B 9/028
15/160
2005/0160544 A1 7/2005 Geller
2007/0231054 A1* 10/2007 Wales A46B 5/0008
401/25
2013/0061411 A1* 3/2013 Witzel A47L 13/34
15/106

OTHER PUBLICATIONS

IP Australia, "Formalities notice No. 1—requirements for registration not met," issued in connection with Australian Patent Application No. 202014600, dated Nov. 13, 2020, 2 pages.

IP Australia, "Certificate of Registration," issued in connection with Australian Patent Application No. 202014600, dated Nov. 30, 2020, 6 pages.

China National Intellectual Property Administration, "Notice of Decision of Grant of Patent," issued in connection with Chinese Patent Application No. 202030531505.7, dated Jan. 14, 2021, 4 pages.

European Union Intellectual Property Office, "Certificate of Registration No. 008166854-0001," dated Sep. 11, 2020, 5 pages.

China National Intellectual Property Administration, "Design Certificate," issued in connection with Chinese Patent Application No. 202030531505.7, dated Mar. 9, 2021, 3 pages. (English version included).

IP Australia, "Certificate of Examination," issued in connection with Australian Patent Application No. 202014600, dated Mar. 14, 2021, 2 pages.

* cited by examiner

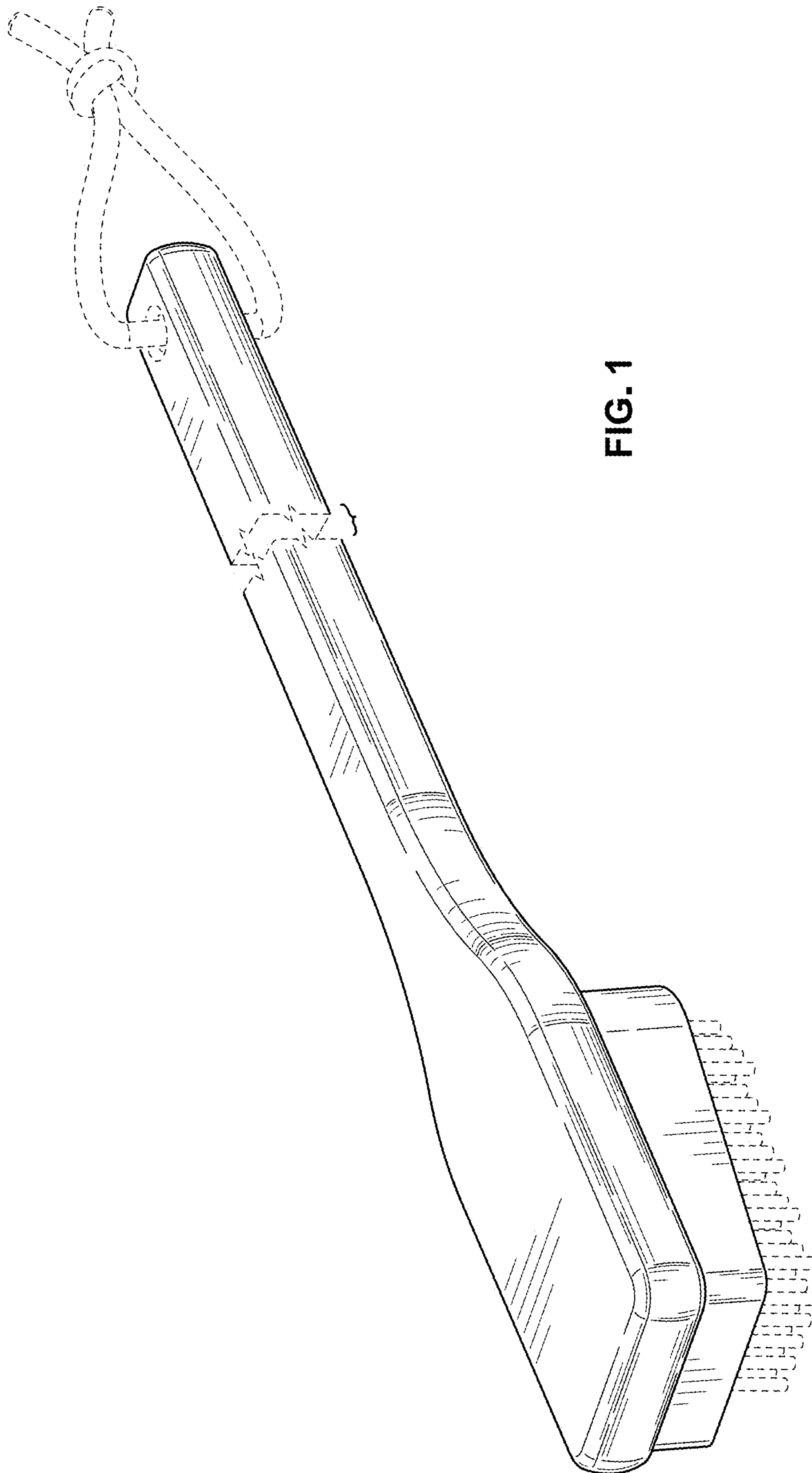


FIG. 1

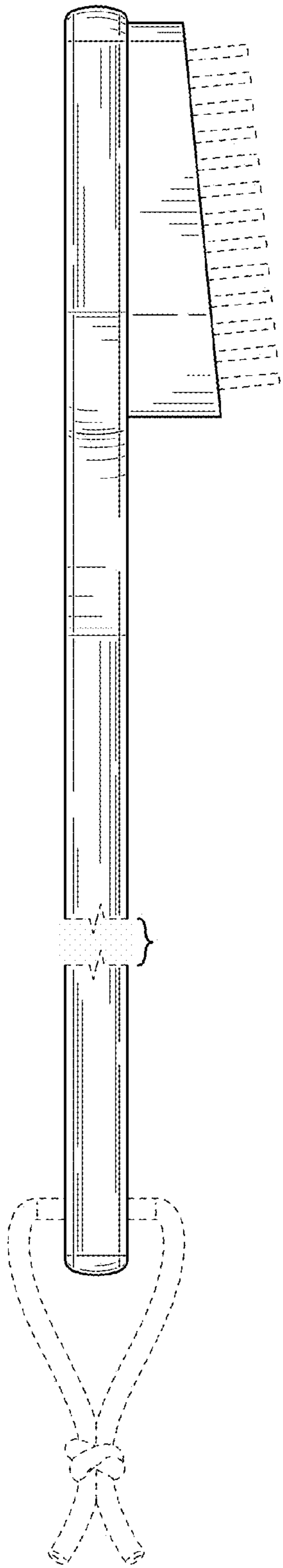


FIG. 2

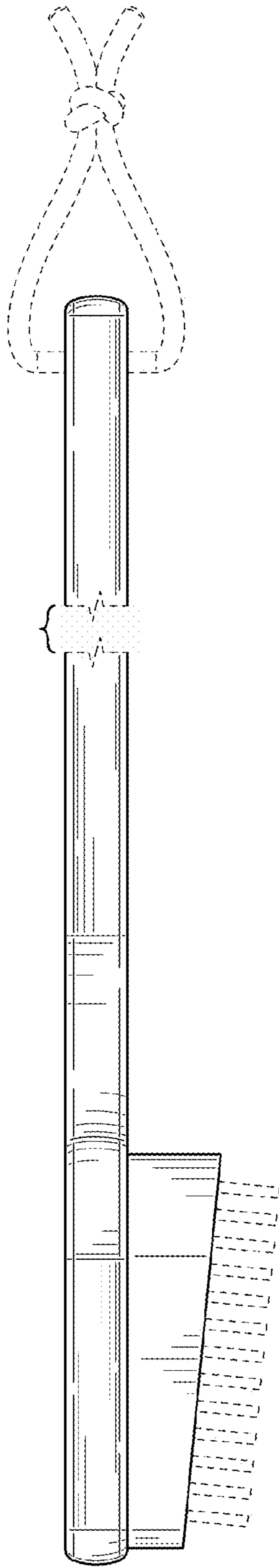


FIG. 3

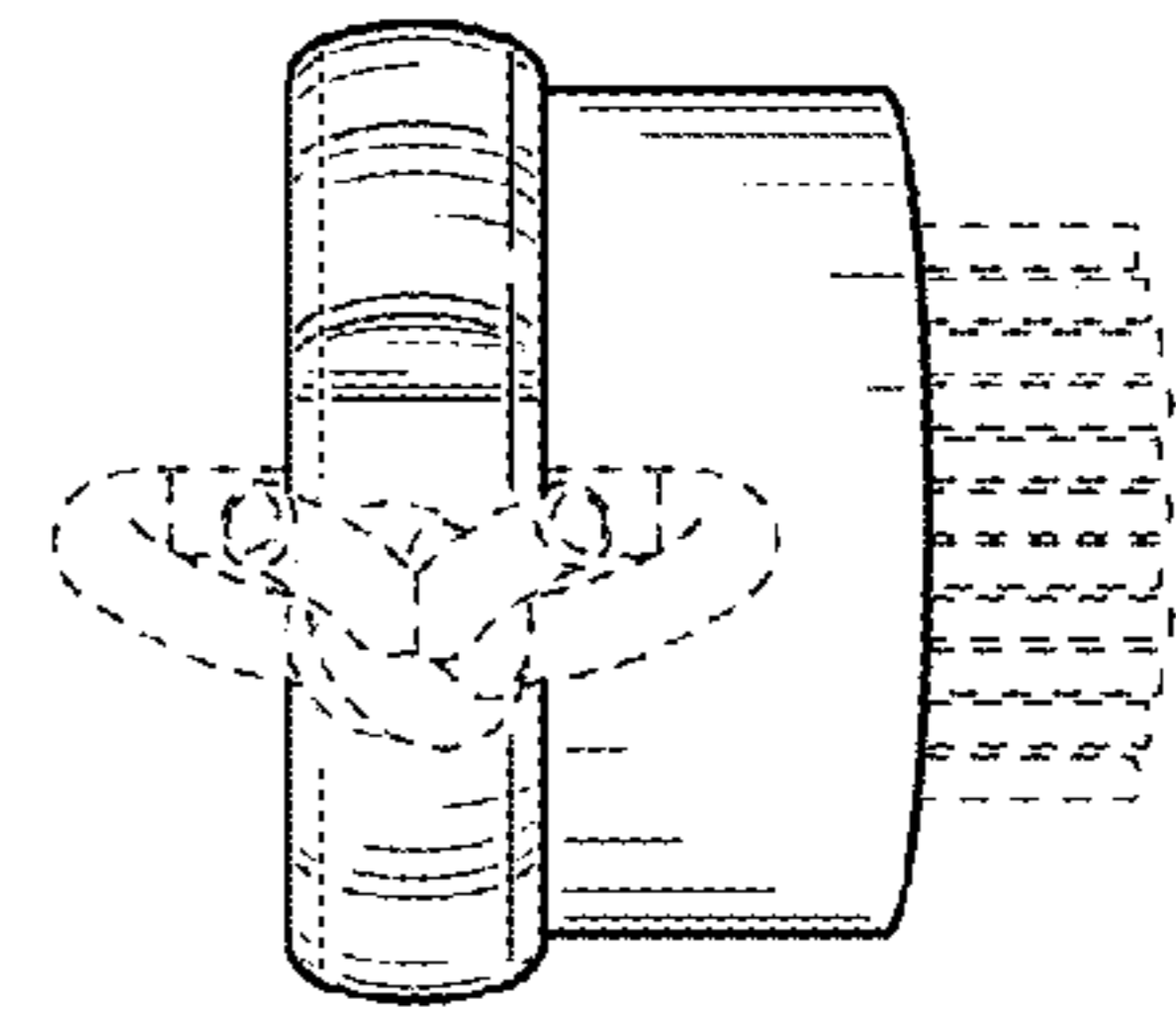


FIG. 4

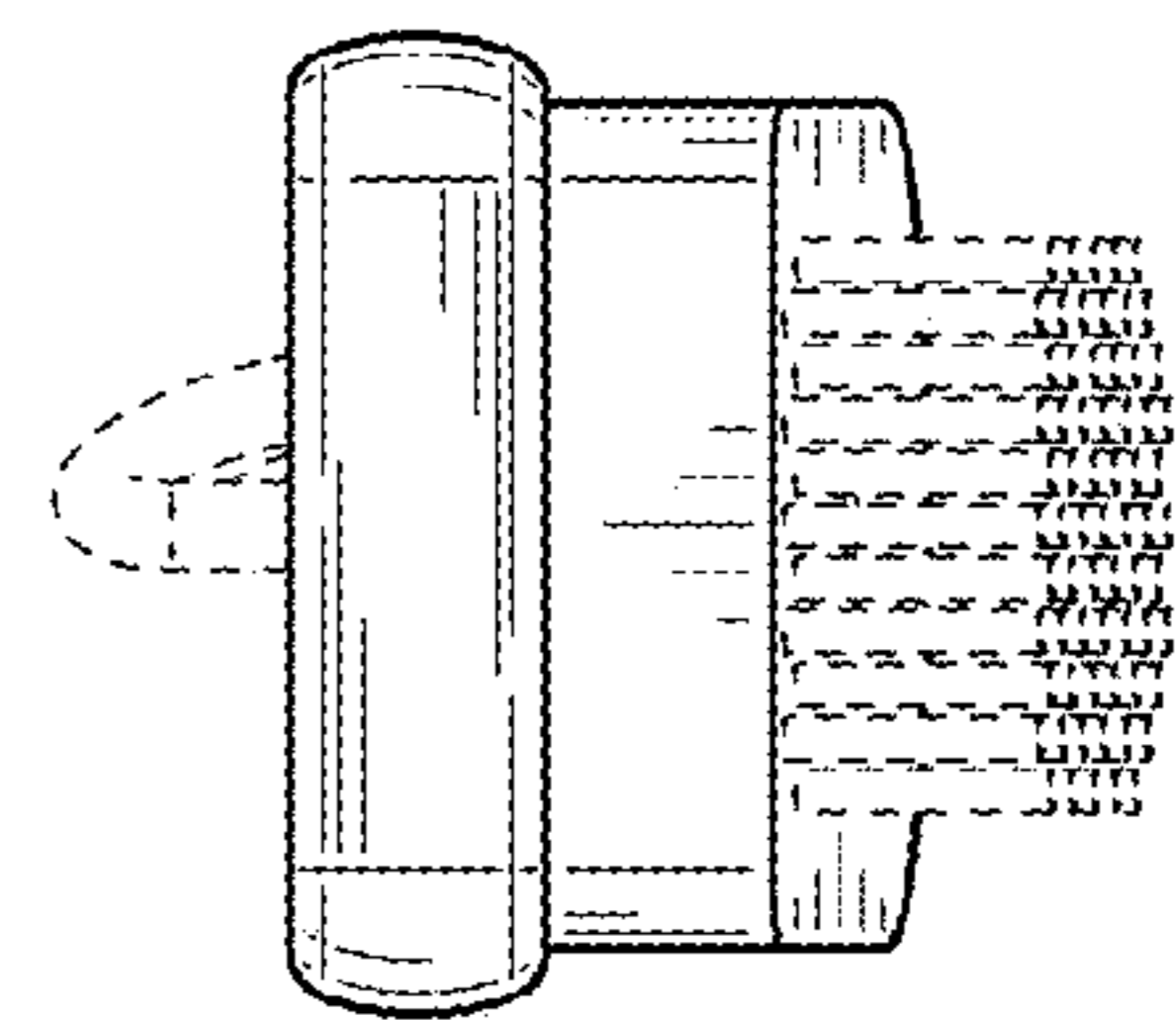


FIG. 5

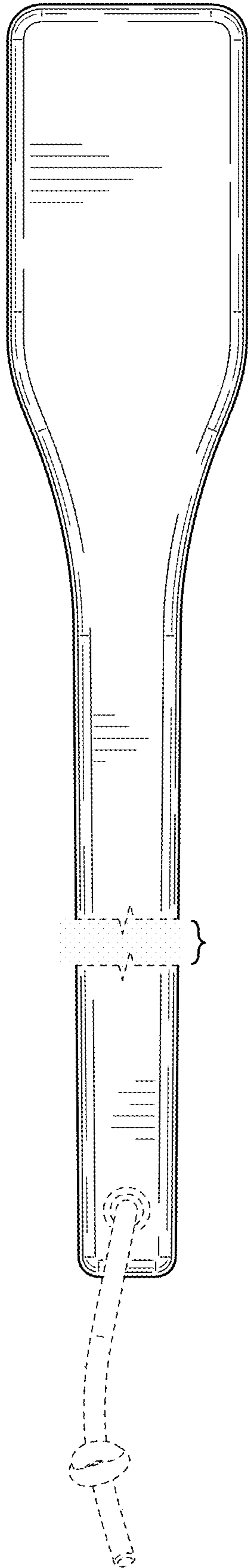


FIG. 6

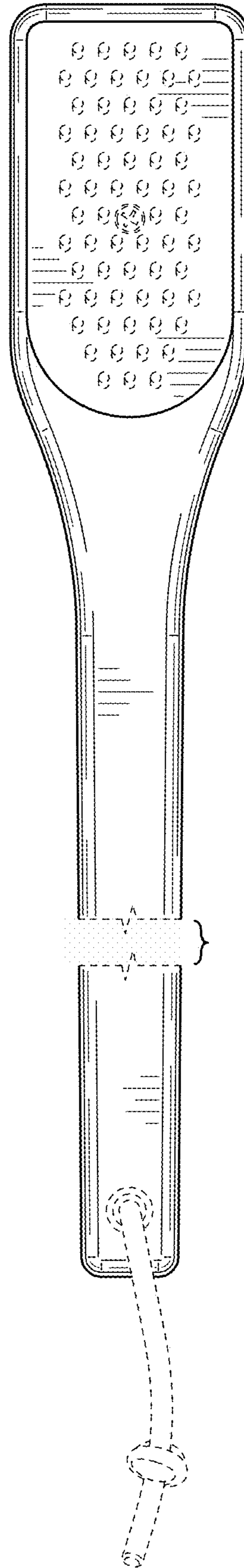


FIG. 7