



US00D958539S

(12) **United States Design Patent**
Loudenslager et al.

(10) **Patent No.:** **US D958,539 S**
(45) **Date of Patent:** **** Jul. 26, 2022**

- (54) **STRAP**
- (71) Applicant: **YETI Coolers, LLC**, Austin, TX (US)
- (72) Inventors: **John Loudenslager**, Austin, TX (US);
John W. Dow, Austin, TX (US); **Derek G. Sullivan**, Austin, TX (US)
- (73) Assignee: **YETI Coolers, LLC**, Austin, TX (US)

D328,186 S 7/1992 Hanke
 5,165,583 A 11/1992 Kouwenberg
 D334,870 S 4/1993 Griffin
 (Continued)

FOREIGN PATENT DOCUMENTS

GB 9008160204-0001 * 9/2020
 GB 9008160204-0002 * 9/2020

OTHER PUBLICATIONS

YETI Roadie 24 Cooler, unknown first available date, rei.com [online], [site visited Nov. 29, 2021], Available at URL: <https://www.rei.com/product/178599/yeti-roadie-24-cooler> (Year: 2021).*
 (Continued)

Primary Examiner — Jeffrey D Asch
Assistant Examiner — Caitlin A Lavery
 (74) *Attorney, Agent, or Firm* — Banner & Witcoff, Ltd.

(57) **CLAIM**

The ornamental design for a strap, as shown and described.

DESCRIPTION

FIG. 1 is a top, front, right perspective view of a strap showing our new design;
 FIG. 2 is a front view thereof;
 FIG. 3 is a rear view thereof;
 FIG. 4 is a right side view thereof;
 FIG. 5 is a left side view thereof;
 FIG. 6 is a top view thereof;
 FIG. 7 is a bottom view thereof; and,
 FIG. 8 is a front perspective view of a strap shown in an exemplary environment.
 The zig-zag lines and even-length broken lines represent stitching. The strap is shown with a symbolic break in its length. The appearance of any portion of the strap between the break lines forms no part of the claimed design. The even-length broken lines in FIG. 8 of the exemplary environment form no part of the claimed design.

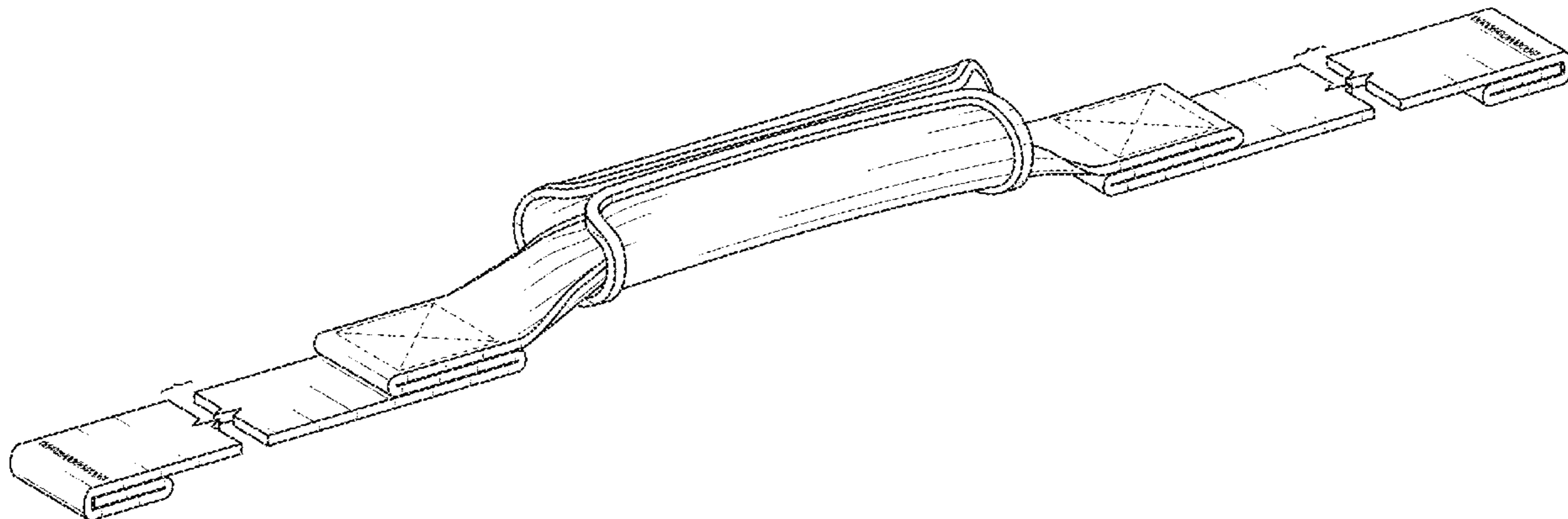
1 Claim, 4 Drawing Sheets

- (**) Term: **15 Years**
- (21) Appl. No.: **29/729,136**
- (22) Filed: **Mar. 24, 2020**
- (51) **LOC (13) Cl.** **03-01**
- (52) **U.S. Cl.**
USPC **D3/318**
- (58) **Field of Classification Search**
USPC D3/318, 321–324, 327, 232–246;
D9/434, 443; D11/201; D30/153
CPC .. A44C 5/18; A44C 5/20; A44C 5/185; A45C
1/024; A45C 1/10; A45C 3/00; A45C
3/06; A45C 3/08; A45C 5/00; A45C 5/03;
A45C 5/04; A45C 5/14; A45C 13/00;
A45C 13/08; A45C 13/10; A45C 13/26;
A45C 13/30; A45F 3/02; A45F 3/04;
A45F 5/00; A45F 5/10; A45F 5/14; B25H
3/02
See application file for complete search history.

(56) **References Cited**

U.S. PATENT DOCUMENTS

- 2,519,186 A * 8/1950 Herbert A45F 5/1046
16/411
- 3,225,983 A 12/1965 Majka
- 3,882,914 A 5/1975 Strutz
- 3,991,921 A 11/1976 Hirsch
- D256,630 S 9/1980 Maney
- 4,351,165 A 9/1982 Gottsegen et al.
- D327,846 S * 7/1992 Jacobs D9/434



(56)

References Cited

U.S. PATENT DOCUMENTS

5,282,706 A 2/1994 Anthony et al.
D351,533 S 10/1994 Lynam, Jr.
D355,568 S 2/1995 Paulin et al.
5,402,557 A 4/1995 Dalen
5,423,644 A 6/1995 First, Sr.
D359,836 S 7/1995 Shuler
D367,761 S * 3/1996 Knutson D3/318
D367,817 S * 3/1996 Halpin 294/171
D371,724 S 7/1996 Melk
D371,942 S 7/1996 Lippincott et al.
D373,514 S 9/1996 Melk
5,603,545 A 2/1997 Benson et al.
D381,871 S 8/1997 Melk
D387,626 S 12/1997 Melk
D392,510 S 3/1998 Perez
5,762,242 A 6/1998 Yost
5,816,185 A 10/1998 Ruthrford
5,896,962 A 4/1999 Smith et al.
5,924,303 A 7/1999 Hodosh
D417,959 S * 12/1999 Albaugh, III D3/265
D456,264 S * 4/2002 Lalande D9/434
6,371,346 B1 4/2002 Sharma
D457,725 S 5/2002 Parsons
6,427,475 B1 8/2002 DeFelice et al.
6,478,463 B2 11/2002 Snider
6,508,389 B1 1/2003 Ripoyla et al.
D471,006 S * 3/2003 French D3/221
6,543,096 B2 4/2003 Settelmayer et al.
6,547,218 B2 4/2003 Landy
6,637,077 B2 10/2003 Doty
6,821,019 B2 11/2004 Mogil
D500,598 S 1/2005 Ramos
6,877,189 B2 4/2005 Simonson et al.
D508,376 S 8/2005 Bhavnani
D528,800 S 9/2006 Liu et al.
D530,095 S 10/2006 Herzberg
7,171,731 B1 2/2007 Borcharding
D544,211 S 6/2007 Herzberg
D562,646 S 2/2008 Lown et al.
7,387,324 B1 * 6/2008 Sharpe A45F 5/1026
16/425
D575,059 S 8/2008 Cappiello et al.
D608,601 S 1/2010 Whitlock et al.
D617,561 S 6/2010 Salerno-Tortora
7,874,047 B2 1/2011 Breeden
7,922,052 B2 4/2011 Podschus
8,099,836 B2 1/2012 Breeden et al.
8,430,284 B2 4/2013 Broadbent et al.
8,459,058 B2 6/2013 Mogil
8,459,487 B2 6/2013 Sharma et al.
8,616,600 B2 12/2013 Owen
8,640,937 B2 2/2014 Pruchnicki
D725,902 S * 4/2015 Kuster D3/245
D734,742 S 7/2015 Fujioka
9,113,686 B1 8/2015 Bishop
9,254,901 B2 2/2016 Gill

9,259,828 B2 2/2016 Bermes
9,266,462 B2 2/2016 Miller
9,376,050 B1 6/2016 Gill
D772,577 S 11/2016 Muchin et al.
D776,934 S 1/2017 Braendle
D780,523 S 3/2017 Jacobsen
D780,524 S 3/2017 Jacobsen
D780,525 S 3/2017 Jacobsen
9,622,547 B2 4/2017 Seader
9,669,986 B1 6/2017 Evans
D808,655 S 1/2018 Seiders et al.
D815,787 S * 4/2018 Seiders D32/53
D817,722 S 5/2018 Bradley
10,086,745 B2 10/2018 Gill
D837,611 S 1/2019 Lane et al.
D841,984 S * 3/2019 Gu D3/318
D842,048 S 3/2019 Wells
D848,744 S 5/2019 Axelbaum
D850,796 S 6/2019 Ricca
10,314,377 B2 6/2019 Stephens
D853,729 S 7/2019 Axelbaum
10,351,330 B2 7/2019 Smith et al.
D859,842 S 9/2019 Frank
D867,823 S * 11/2019 Jacobsen D7/607
D886,537 S * 6/2020 Jacobsen D7/607
D886,538 S * 6/2020 Jacobsen D7/607
2004/0007604 A1 1/2004 Plzak
2005/0103813 A1 5/2005 Edwards
2005/0180835 A1 8/2005 Schneider
2006/0037178 A1 2/2006 Sulhoff
2006/0196218 A1 9/2006 Mogil et al.
2006/0213941 A1 9/2006 Sweeney
2008/0042460 A1 2/2008 Fuchs
2008/0196650 A1 8/2008 Fernung
2009/0049859 A1 2/2009 Moon
2010/0072215 A1 3/2010 Coon
2010/0078451 A1 4/2010 Mount
2010/0258576 A1 10/2010 Marquez
2012/0024896 A1 2/2012 Scobey et al.
2014/0130310 A1 5/2014 Roth
2015/0296945 A1 10/2015 Douglas
2018/0087819 A1 3/2018 Triska et al.
2020/0216224 A1 * 7/2020 Nichols B65D 25/24
2021/0368761 A1 * 12/2021 Yagi A01K 97/06

OTHER PUBLICATIONS

Whitecap Flexible Grab Handle W/ Molded Grip, unknown first available date, hodgeamarine.com [online], [site visited Nov. 29, 2021], Available at URL: <https://www.hodgeamarine.com/whis-7098p-whitecap-flexible-grab-handle-wmolded-grip.html> (Year: 2021).*
Ozark Trail 52 and 73 Quart Coolers Replacement Handle, unknown first available date, walmart.com [online], [site visited Nov. 29, 2021], Available at URL: <https://www.walmart.com/ip/Ozark-Trail-52-and-73-Quart-Coolers-Replacement-Handle/55588261> (Year: 2021).*

* cited by examiner

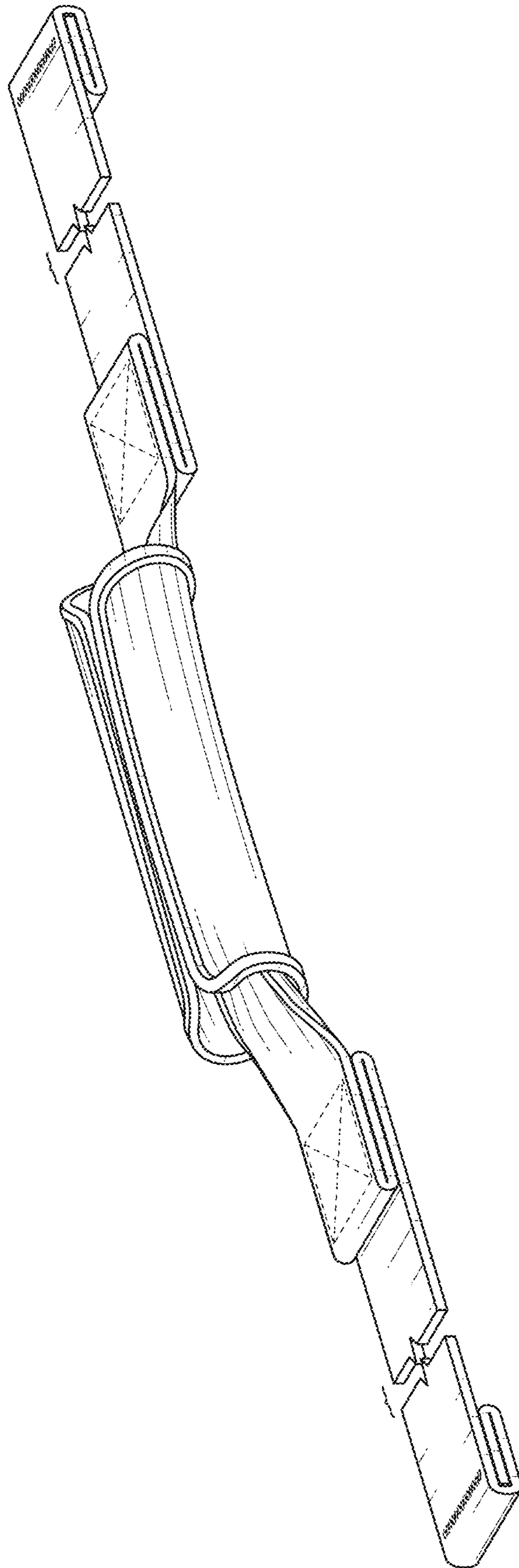


FIG. 1

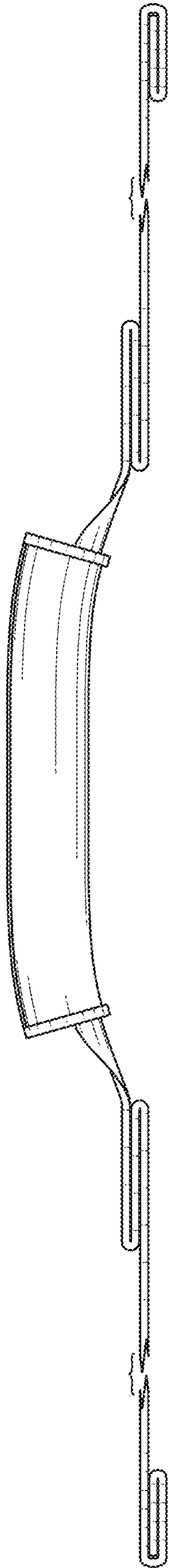


FIG. 2

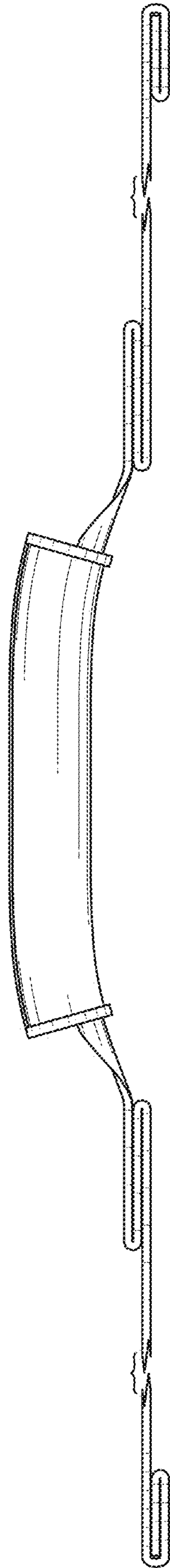


FIG. 3

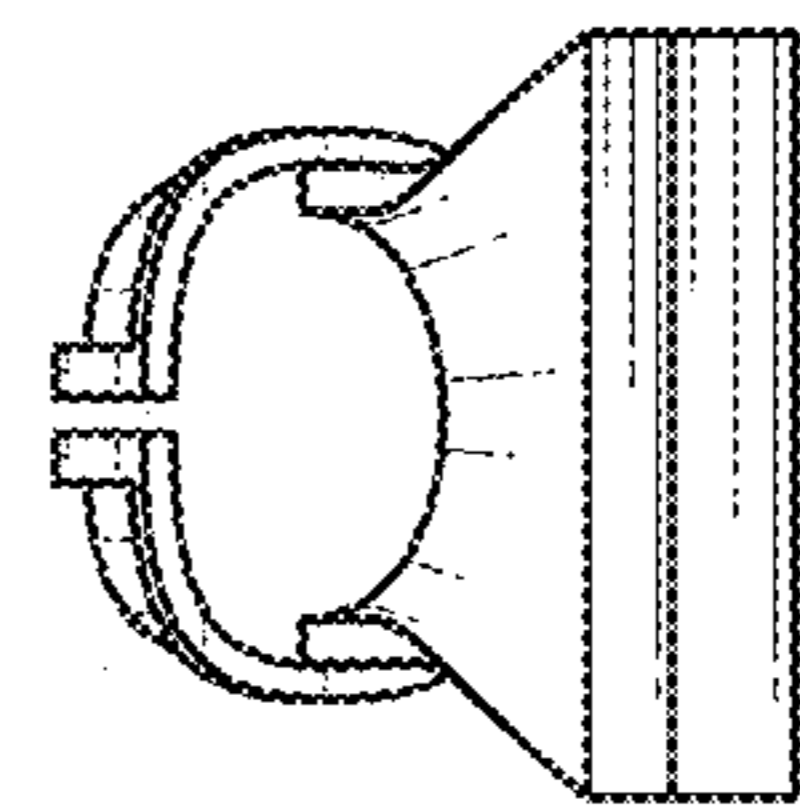


FIG. 4

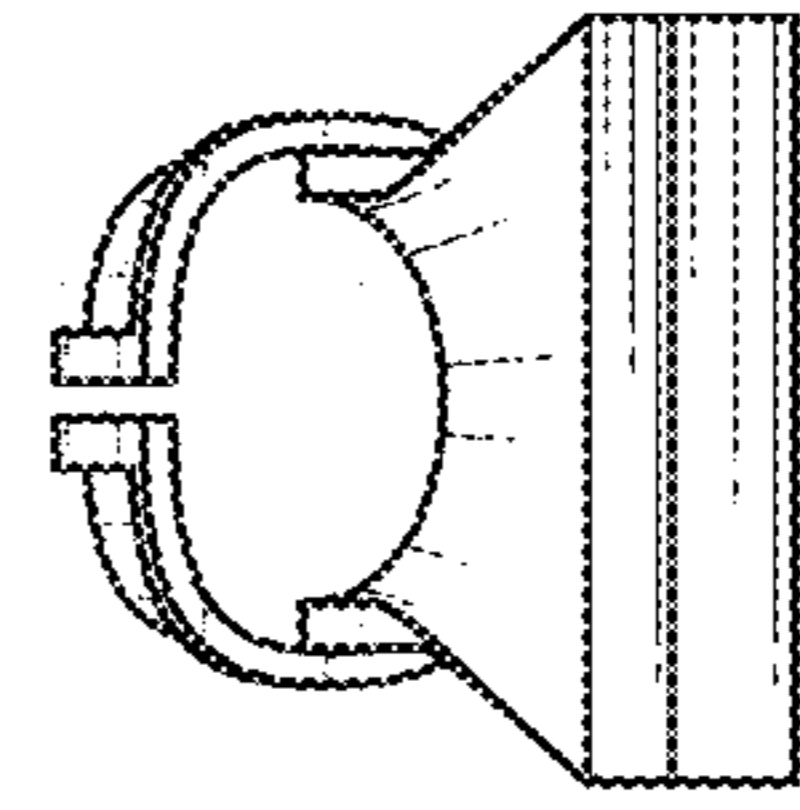


FIG. 5

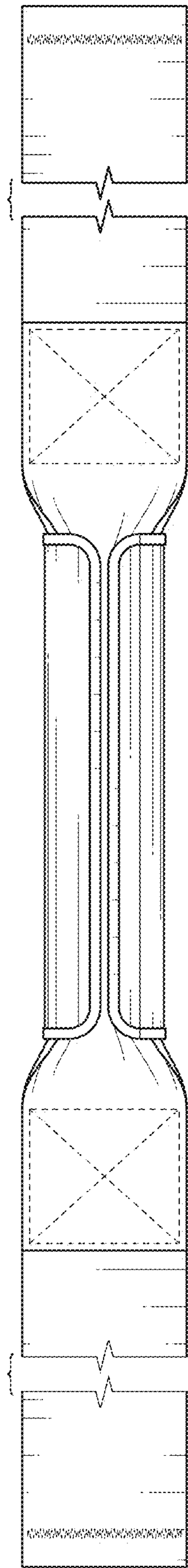


FIG. 6

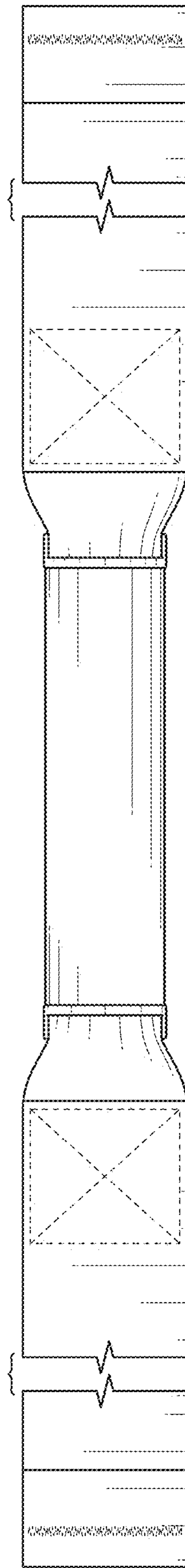


FIG. 7

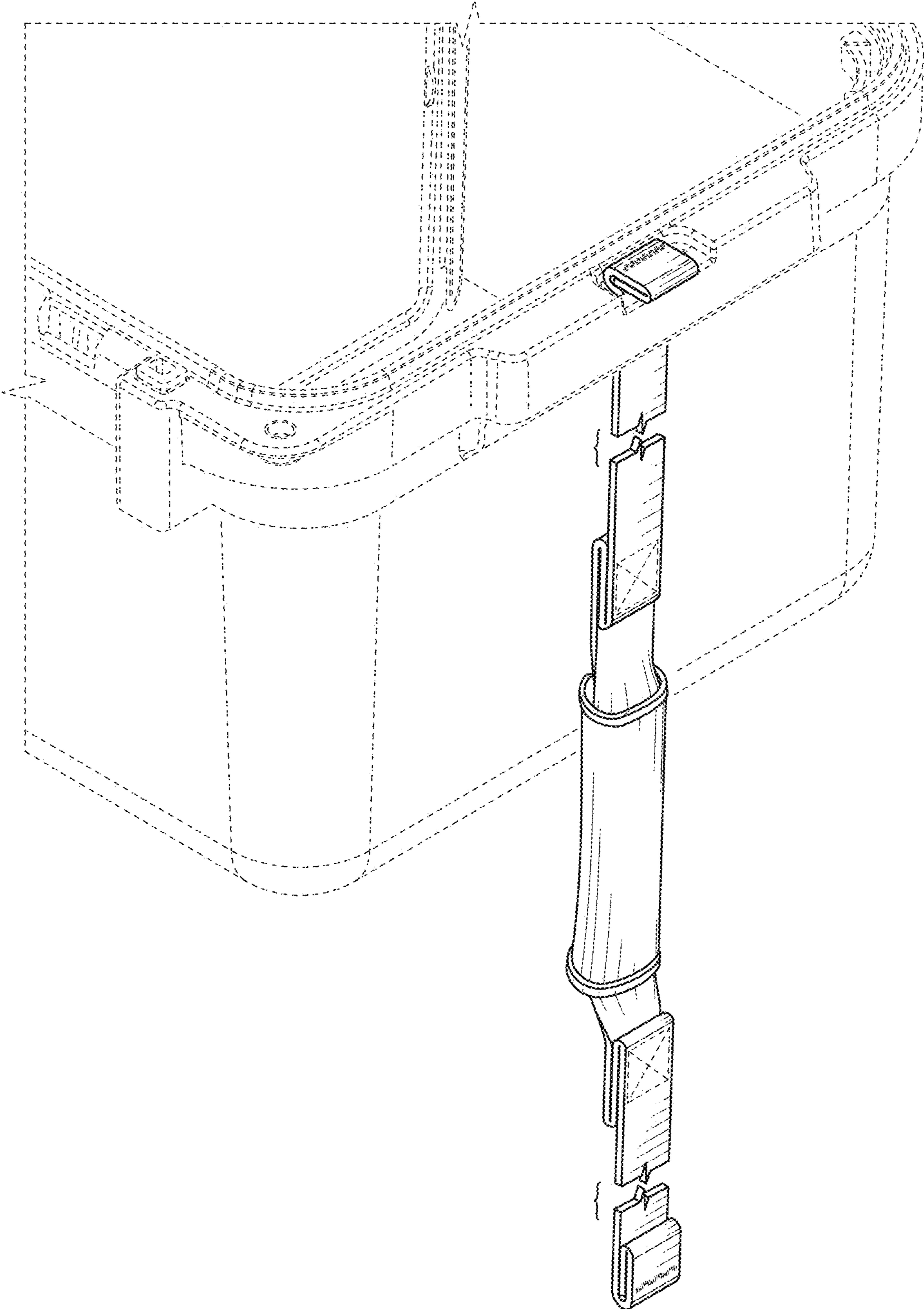


FIG. 8