



US00D958536S

(12) **United States Design Patent** (10) **Patent No.:** **US D958,536 S**
Del Moral et al. (45) **Date of Patent:** **** Jul. 26, 2022**

- (54) **OUTER COVERING FOR EARBUD CASE**
- (71) Applicant: **Speculative Product Design, LLC**, San Mateo, CA (US)
- (72) Inventors: **Darrick Del Moral**, San Bruno, CA (US); **Scott Hunter Goard**, Mountain View, CA (US); **Christopher William Ledesma**, San Francisco, CA (US); **Bryan Lee Hyncecek**, Redwood City, CA (US); **Monica Elizabeth Wright**, Falls Church, VA (US)
- (73) Assignee: **Speculative Product Design, LLC**, San Mateo, CA (US)
- (**) Term: **15 Years**
- (21) Appl. No.: **29/800,487**
- (22) Filed: **Jul. 21, 2021**

D708,784 S	7/2014	Kim	
9,304,375 B2	4/2016	Moon et al.	
9,565,910 B2	2/2017	Magness	
9,565,913 B2	2/2017	Fathollahi	
9,686,878 B2	6/2017	Choi et al.	
D794,617 S	8/2017	Wright et al.	
D794,618 S *	8/2017	Wright	D14/238.1
9,731,886 B2	8/2017	Chang	
9,748,998 B2	8/2017	Gronewoller et al.	
9,769,558 B2	9/2017	Chandramohan et al.	
9,770,082 B2	9/2017	Gronewoller et al.	
D806,388 S	1/2018	Akana et al.	
D818,268 S	5/2018	Akana et al.	
9,961,431 B2	5/2018	McPeak et al.	
9,961,433 B2	5/2018	Chawan et al.	
9,967,644 B2	5/2018	Chawan et al.	
9,967,648 B2	5/2018	Panecki et al.	
9,967,649 B2	5/2018	Chandramohan et al.	
9,967,650 B2	5/2018	Chawan et al.	
9,973,840 B2	5/2018	Wagman et al.	
10,009,678 B2	6/2018	Panecki et al.	
10,028,559 B2	7/2018	Gronewoller et al.	
10,085,083 B2	9/2018	Minoo et al.	
10,097,913 B2	10/2018	Zorkendorfer et al.	
D834,301 S *	11/2018	Poissant	D3/201
10,144,551 B2	12/2018	Ni	
10,182,282 B2	1/2019	McPeak et al.	
10,212,506 B2	2/2019	Panecki et al.	
10,219,598 B2	3/2019	Gronewoller et al.	
10,225,637 B2	3/2019	Panecki et al.	
10,232,986 B2	3/2019	Bucholtz et al.	
D849,401 S	5/2019	Akana et al.	
10,397,683 B2	8/2019	LeBlanc et al.	
D864,565 S	10/2019	Lee et al.	
D868,453 S	12/2019	Lee et al.	
D869,161 S *	12/2019	Zhong	D3/294
D872,094 S	1/2020	Wright et al.	
D872,469 S	1/2020	Lee et al.	
D872,723 S *	1/2020	Lee	D14/250
D878,045 S	3/2020	Akana et al.	
D878,754 S	3/2020	Lee et al.	
D881,566 S	4/2020	Lee et al.	
D882,259 S	4/2020	Liu	
D887,402 S	6/2020	Chun	
D888,408 S	6/2020	Lee et al.	
D891,771 S	8/2020	Lee et al.	
D891,774 S	8/2020	Yu	
D892,497 S	8/2020	Wright et al.	
D892,498 S	8/2020	Wright et al.	
D893,166 S *	8/2020	Lu	D3/201
D898,664 S	10/2020	Bhutani	
D900,471 S	11/2020	Jones	
D901,177 S	11/2020	Wei	

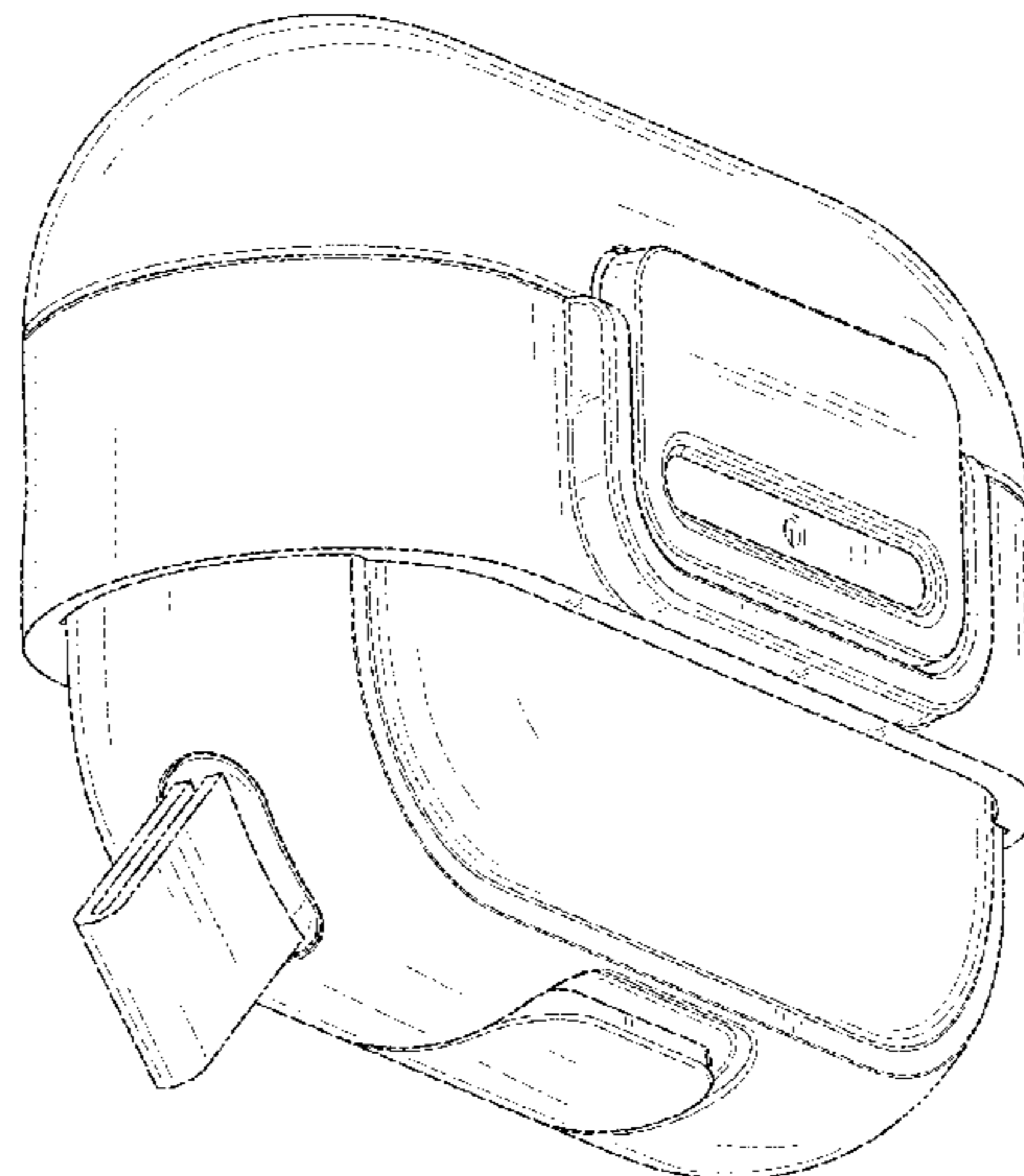
Related U.S. Application Data

- (63) Continuation-in-part of application No. 29/743,050, filed on Jul. 17, 2020.
- (51) **LOC (13) Cl.** **03-01**
- (52) **U.S. Cl.**
USPC **D3/299**
- (58) **Field of Classification Search**
USPC D3/207, 212, 215, 218, 219, 266, 273, D3/275, 294, 299, 300, 302, 313, 201, D3/203.1, 205, 263, 264, 265, 274
CPC H04R 2460/17; A45C 11/04
See application file for complete search history.

References Cited

U.S. PATENT DOCUMENTS

D386,611 S	11/1997	Sheu	
D426,950 S	6/2000	Conway	
D576,037 S *	9/2008	Beam	D9/435
7,673,745 B2	3/2010	Sirichai et al.	
7,775,354 B2	8/2010	Latchford et al.	
8,755,852 B2	6/2014	Hyncecek et al.	



D901,382 S	11/2020	Zhang	
D904,346 S	12/2020	Wright et al.	
D907,009 S	1/2021	Akana et al.	
D907,049 S *	1/2021	Yu	D14/440
D911,706 S	3/2021	Hyun	
D913,292 S *	3/2021	Brown	D14/440
D914,604 S *	3/2021	Wang	D13/118
D924,560 S	7/2021	Hyun	
D924,565 S	7/2021	Gould	
D930,361 S	9/2021	Jacobs	
2006/0091222 A1	5/2006	Leung et al.	
2007/0256946 A1	11/2007	Godshaw et al.	
2008/0090622 A1	4/2008	Kim et al.	
2011/0005648 A1	1/2011	Sa	
2011/0017620 A1	1/2011	Latchford et al.	
2012/0085047 A1	4/2012	Hiscock et al.	
2014/0069825 A1	3/2014	Macrina et al.	
2014/0376763 A1	12/2014	Stevinson	
2015/0076187 A1	3/2015	Cohen	
2016/0198823 A1	7/2016	Bergreen et al.	
2017/0094381 A1	3/2017	LeBlanc et al.	
2018/0191392 A1	7/2018	Poon	
2019/0075899 A1	3/2019	Hynecek et al.	
2019/0075900 A1	3/2019	Hynecek et al.	
2019/0081299 A1	3/2019	Chiang et al.	
2020/0100573 A1	4/2020	Ekelund	
2021/0029424 A1 *	1/2021	Wright	H04R 1/1091

FOREIGN PATENT DOCUMENTS

CN	208015951 U	10/2018
CN	304877424	11/2018
CN	208581338 U	3/2019
CN	208939608 U	6/2019
CN	305198691	6/2019
CN	209234022 U	8/2019
CN	209547264 U	10/2019

OTHER PUBLICATIONS

DamonLight Premium Cover for AirPods Case, announced Jul. 26, 2018 [online][site visited Apr. 26, 2022], Available from internet, URL: <<https://www.amazon.com/DamonLight-Silicone-Carabiner-Protective-Compatible/dp/B07MZHFVBQ>> (Year: 2018).*

Elago AirPods Waterproof Silicone Case (no date) [online][site visited Apr. 26, 2022], Available from internet, URL: <<https://sg.urbanoutfitters.com/en-sg/product/elago-airpods-waterproof-silicone-case/UO-49335706-000?color=red&size=one-size>> (Year: 2022).*

Keybudz, “PodSkinz AirPods Case Protective Silicone Cover and Skin Compatible with Apple AirPods 1 & AirPods 2 [Front LED Not Visible] (Cobalt Blue)”, <URL:<https://www.amazon.com/PodSkinz-Protective-Silicone-Compatible-Charging/dp/B076W7K7L7>>, as published as of Jun. 27, 2019, 2 pages.

AhaStyle, “AhaStyle Upgrade AirPods Case Protective Cover [front LED Visible] Silicone Compatible with Apple AirPods 2 & 1 (Black)”, <URL:<https://www.amazon.com/AhaStyle-Silicone-Protective-Keychain-AirPods/dp/3077187F2R>>, as published as of Jun. 27, 2019, 1 page.

SeeHee, “Airpods 2 Silicone Case Cover Compatible Apple Airpods 2&1 [Front LED Visible] (Olive Green)”, <URL: <https://www.amazon.com/Airpods-Silicone-Cover-Compatible-Visible/dp/B07RQXJ1HF>>, as published as of Jun. 27, 2019, 2 pages.

Fironst, “2019 Fironst AirPods Case Cover Silicon Fast Wireless Charging Ultra-Thin Soft Front LED Visible Skin Protector Compatible with Apple AirPods 2&1 (Glittery Blue)”, <URL:<https://www.amazon.com/Fironst-Silicone-Ultra-Thin-Protector-Compatible/dp/B07QC5M8T1?th=1>>, as published as of Jun. 27, 2019, 1 page.

“Catalyst Waterproof Case for AirPods—Special Edition—Glow in the Dark”, <URL:https://www.apple.com/shop/product/HMUU2ZM/A/catalyst-waterproof-case-for-airpods-special-edition-glow-in-the-dark?afid=p238%7CsLXTwavx4-dc_mtid_1870765e38482_pcrd_246387003753_pgrid_15434682490_&cid=aos-us-kwgo-pla-btb-catchall--slid-product-HMUU2ZM/A>, as published as of Jun. 27, 2019, 2 pages.

Airpods Case sold by Casemate at least as early as Aug. 17, 2019. [online], [retrieved on Jan. 24, 2020]. Retrieved from the internet <URL:<<https://case-mate.com/blush-sheer-crystal-airpod-hookups>>>.

Airpods Case sold by Casemate at least as early as Jul. 7, 2019. [online], [retrieved on Jan. 30, 2020.] Retrieved from the internet <URL:<<https://case-mate.com/blush-sheer-crystal-airpod-hookups>>>.

Ekelund, U.S. Appl. No. 29/685,199, filed Mar. 27, 2019, titled “Storage Boxes”.

Wright et al., U.S. Appl. No. 29/711,009, filed Oct. 28, 2019, titled “Outer Covering for Earbud Case”.

Wright et al., U.S. Appl. No. 29/699,465, filed Jul. 25, 2019, titled “Outer Covering for Earbud Case”.

Wright et al., U.S. Appl. No. 16/522,408, filed Jul. 25, 2019, titled “Protective Outer Case for Audio Device Systems”.

Wright et al., U.S. Appl. No. 29/743,050, filed Jul. 17, 2020, titled “Outer Covering for Earbud Case”.

European Union Intellectual Property Office, Registered Community Design No. 007546460-0001, entitled “Outer Covering for Earbud Case”, filed and registered Jan. 23, 2020, and published on Feb. 13, 2020.

European Union Intellectual Property Office, Registered Community Design No. 007546460-0002, entitled “Outer Covering for Earbud Case”, filed and registered Jan. 23, 2020, and published on Feb. 13, 2020.

European Union Intellectual Property Office, Registered Community Design No. 007546460-0003, entitled “Outer Covering for Earbud Case”, filed and registered Jan. 23, 2020, and published on Feb. 13, 2020.

European Union Intellectual Property Office, Registered Community Design No. 007843255-0001, entitled “Outer Covering for Earbud Case”, filed and registered Apr. 28, 2020, and published on Jun. 12, 2020.

European Union Intellectual Property Office, Registered Community Design No. 007843255-0002, entitled “Outer Covering for Earbud Case”, filed and registered Apr. 28, 2020, and published on Jun. 12, 2020.

European Union Intellectual Property Office, Registered Community Design No. 007843255-0003, entitled “Outer Covering for Earbud Case”, filed and registered Apr. 28, 2020, and published on Jun. 12, 2020.

European Union Intellectual Property Office, Registered Community Design No. 008403919-0001, entitled “Outer Covering for Earbud Case,” filed and registered Jan. 15, 2021, and published on Jan. 22, 2021.

European Union Intellectual Property Office, Registered Community Design No. 008403919-0002, entitled “Outer Covering for Earbud Case,” filed and registered Jan. 15, 2021, and published on Jan. 22, 2021.

European Union Intellectual Property Office, Registered Community Design No. 008403919-0003, entitled “Outer Covering for Earbud Case,” filed and registered Jan. 15, 2021, and published on Jan. 22, 2021.

European Union Intellectual Property Office, Registered Community Design No. 008403919-0004, entitled “Outer Covering for Earbud Case,” filed and registered Jan. 15, 2021, and published on Jan. 22, 2021.

Wright et al., U.S. Appl. No. 17/109,789, filed Dec. 2, 2020, titled “Protective Outer Case for Audio Device Systems”.

Wright et al., U.S. Appl. No. 17/379,417, filed Jul. 19, 2021, titled “Protective Outer Case Especially for Portable Audio Device Systems”.

Del Moral et al., U.S. Appl. No. 29/800,487, filed Jul. 21, 2021, titled “Outer Covering for Earbud Case”.

Speck Products Presidio Clear AirPods Case (Gen 1/2), first available Nov. 14, 2019, amazon.com [online], [site visited Oct. 1, 2021], Available at internet URL: <https://www.amazon.com/Speck-Presidio-Clear-Airpods-Case/dp/B081GB8H6M> (Year: 2019).

* cited by examiner

Primary Examiner — Kevin K Rudzinski
Assistant Examiner — Amber J Rabie
(74) *Attorney, Agent, or Firm* — Lerner, David,
Littenberg, Krumholz & Mentlik, LLP

(57) **CLAIM**

The ornamental design for an outer covering for earbud case,
as shown and described.

DESCRIPTION

FIG. 1 is a front perspective view of an outer covering for
earbud case showing a first embodiment of our new design;
FIG. 2 is a rear perspective view thereof;
FIG. 3 is a front elevation view thereof;
FIG. 4 is a rear elevation view thereof;
FIG. 5 is a left side elevation view thereof;

FIG. 6 is a right side elevation view thereof;
FIG. 7 is a top plan view thereof;
FIG. 8 is a bottom plan view thereof;
FIG. 9 is a front perspective view of the outer covering for
earbud case showing a second embodiment of our new
design;
FIG. 10 is a rear perspective view thereof;
FIG. 11 is a front elevation view thereof;
FIG. 12 is a rear elevation view thereof;
FIG. 13 is a left side elevation view thereof;
FIG. 14 is a right side elevation view thereof;
FIG. 15 is a top plan view thereof; and,
FIG. 16 is a bottom plan view thereof.
The broken lines of even length depict portions of the outer
covering for earbud case that form no part of the claimed
design.

1 Claim, 10 Drawing Sheets

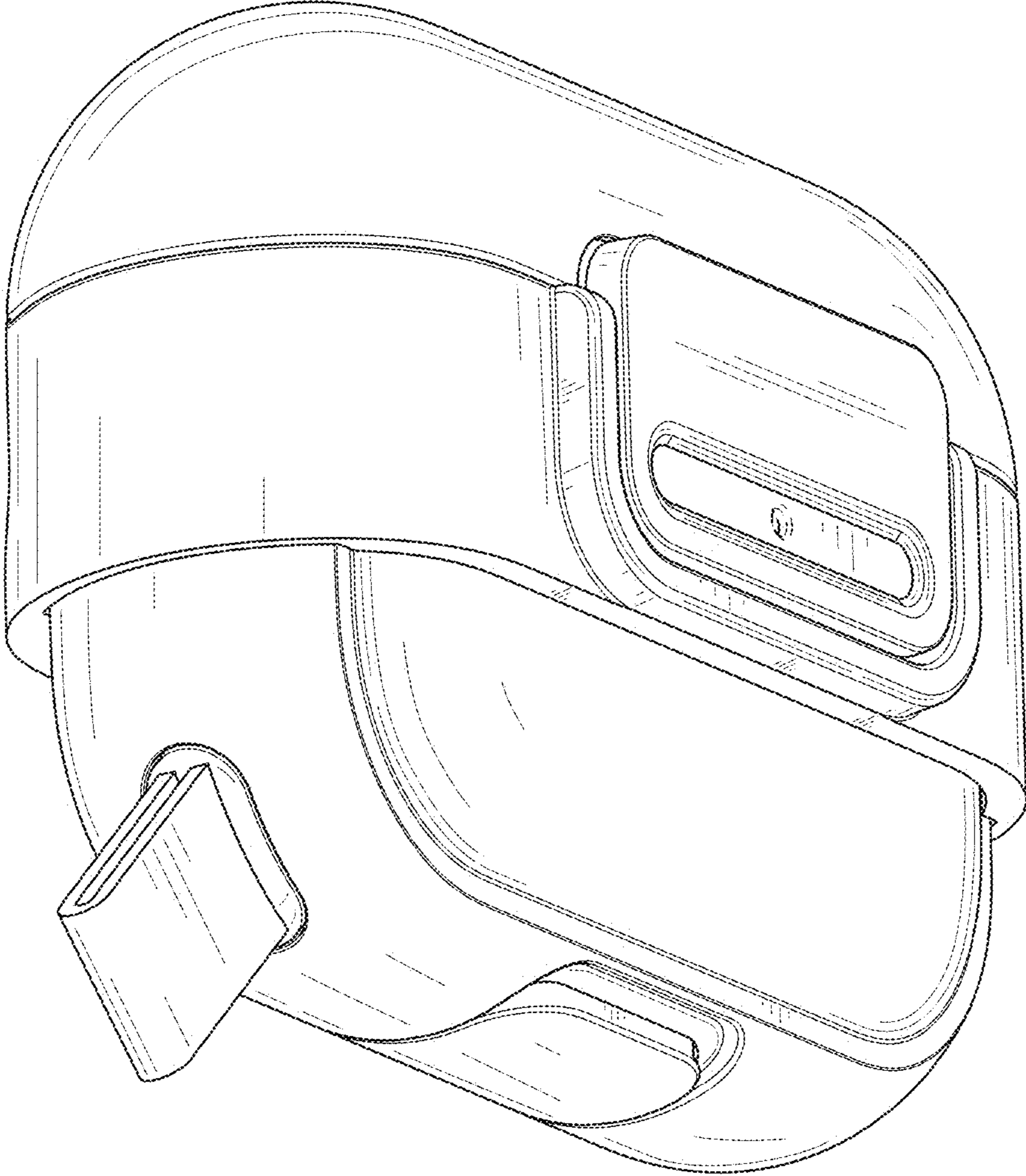


FIG. 1

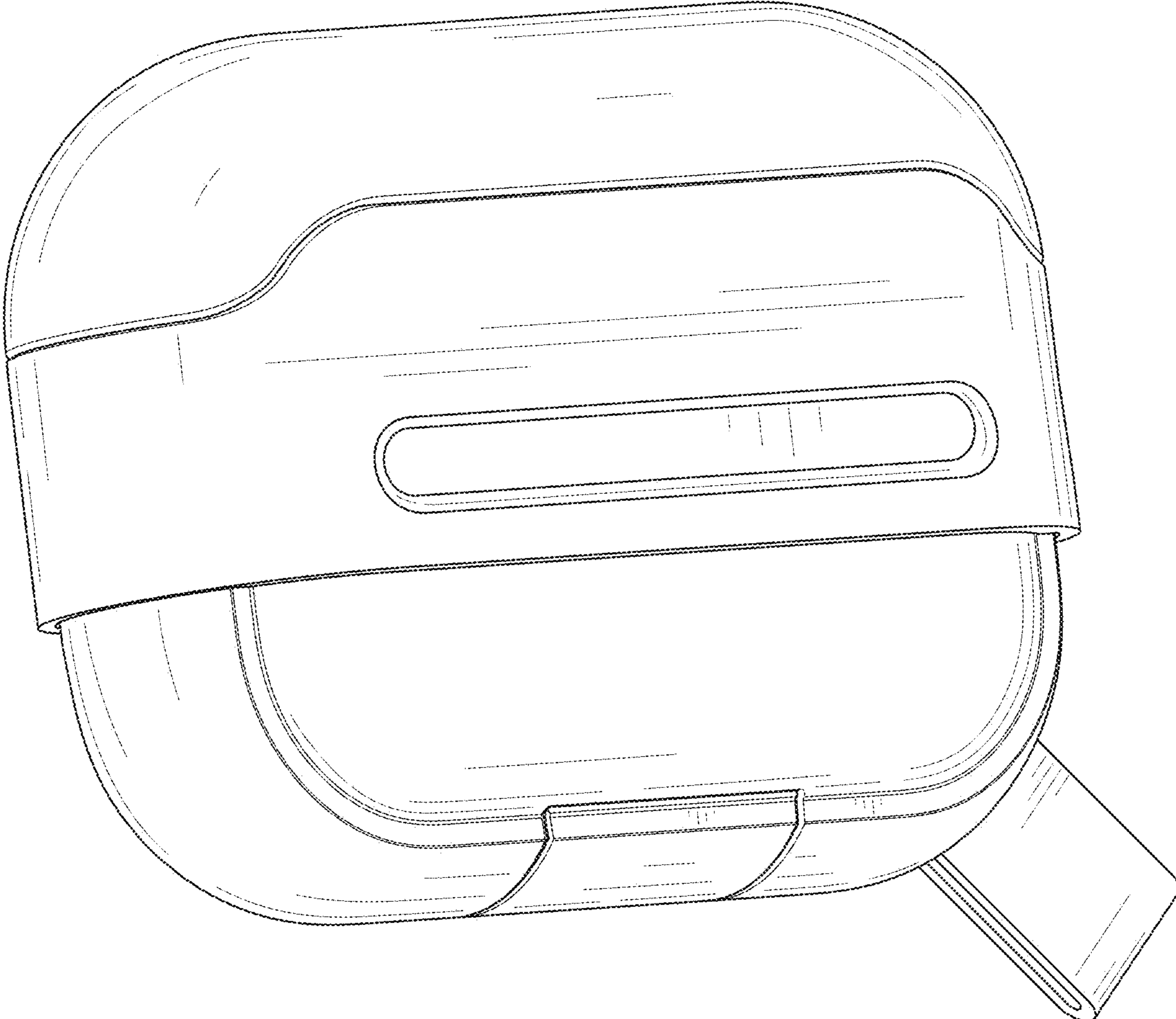


FIG. 2

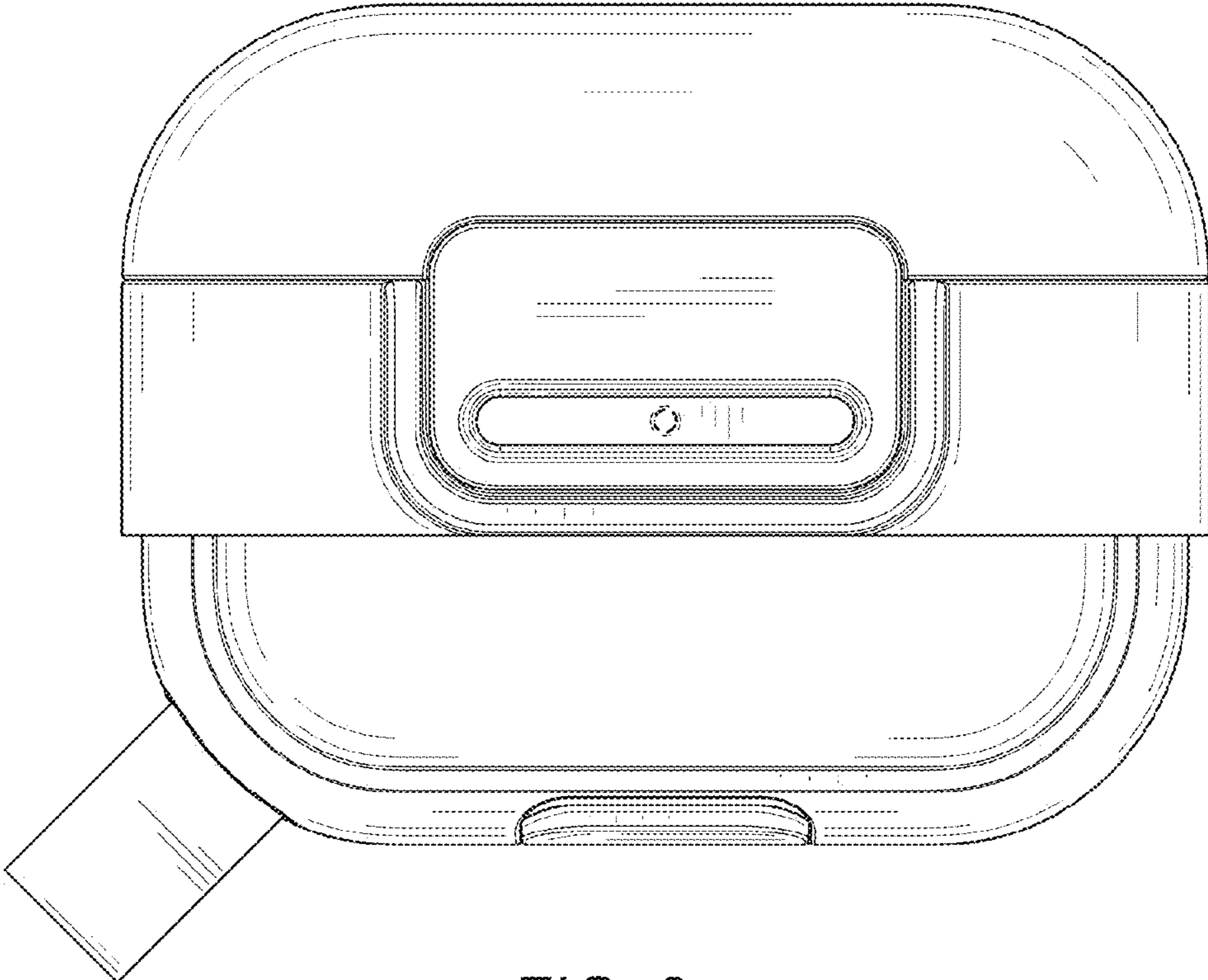


FIG. 3

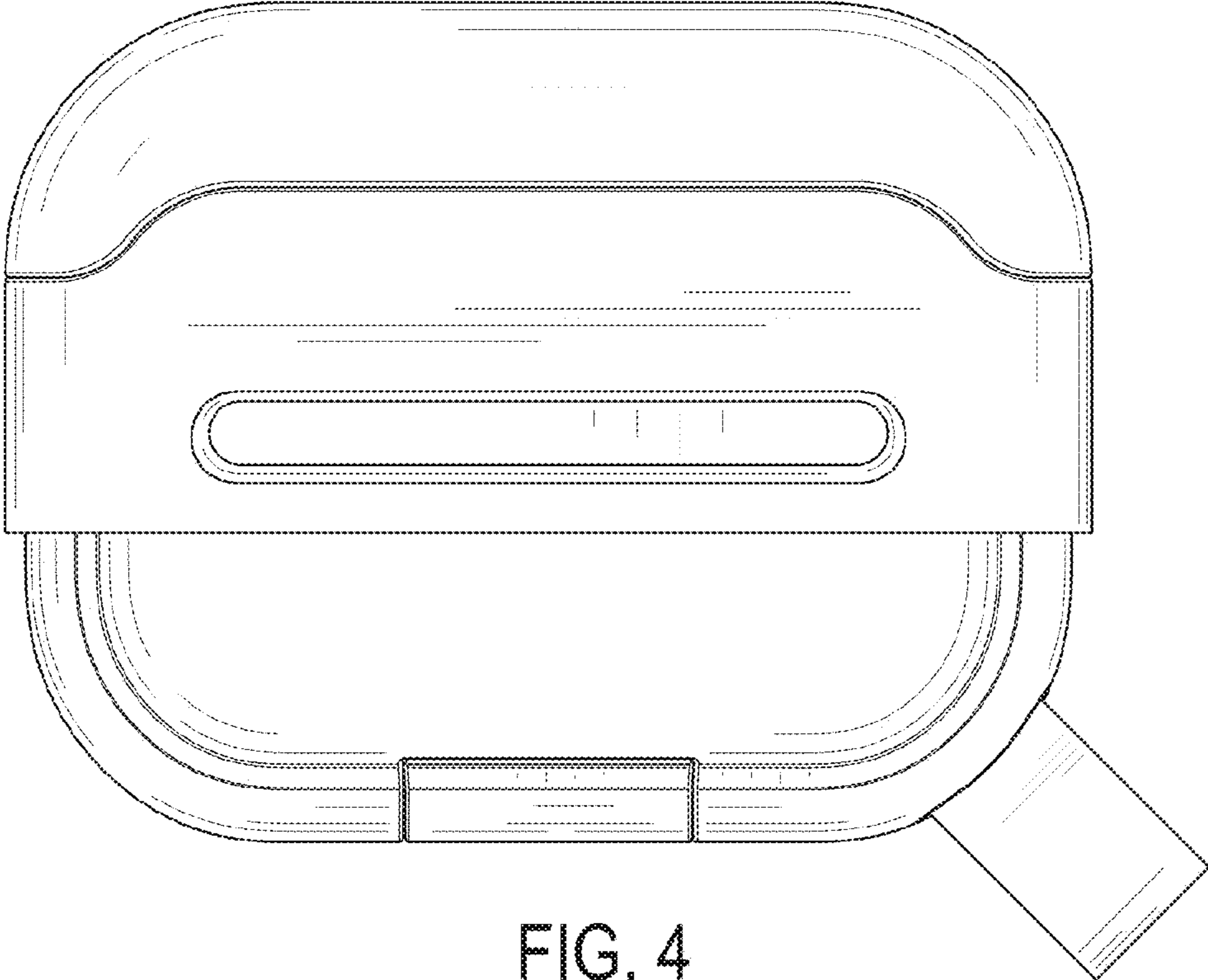


FIG. 4

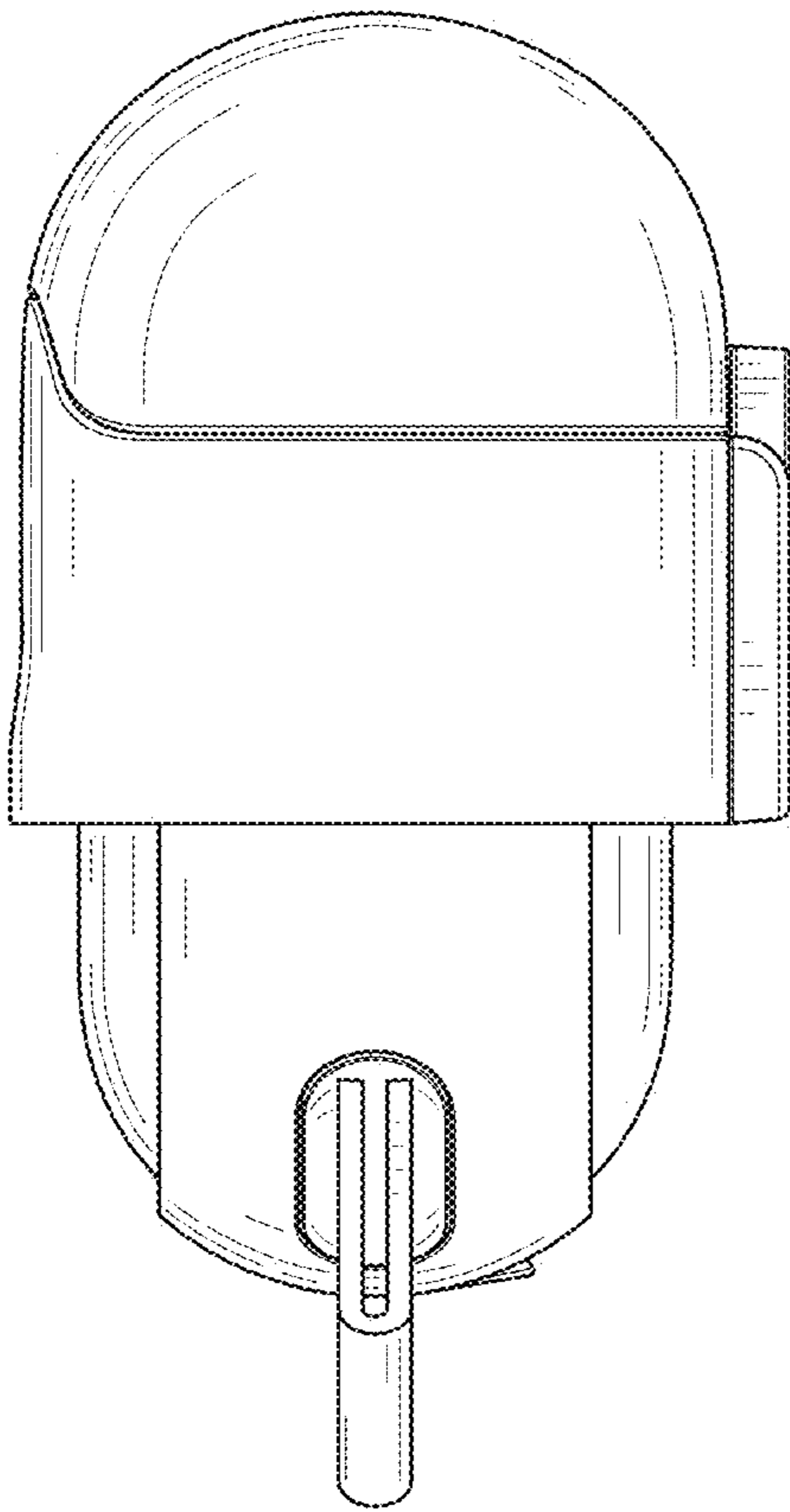


FIG. 5

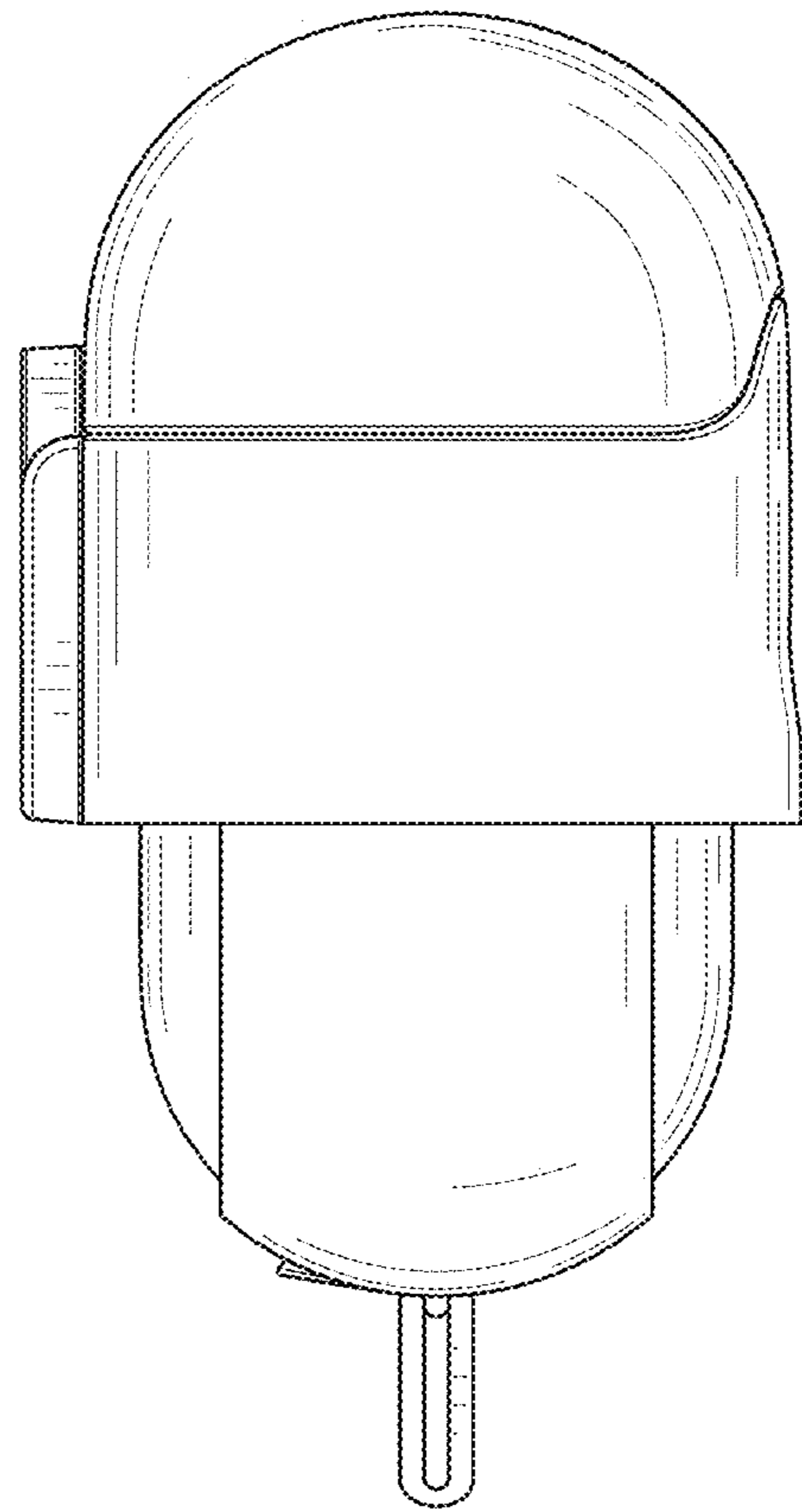


FIG. 6

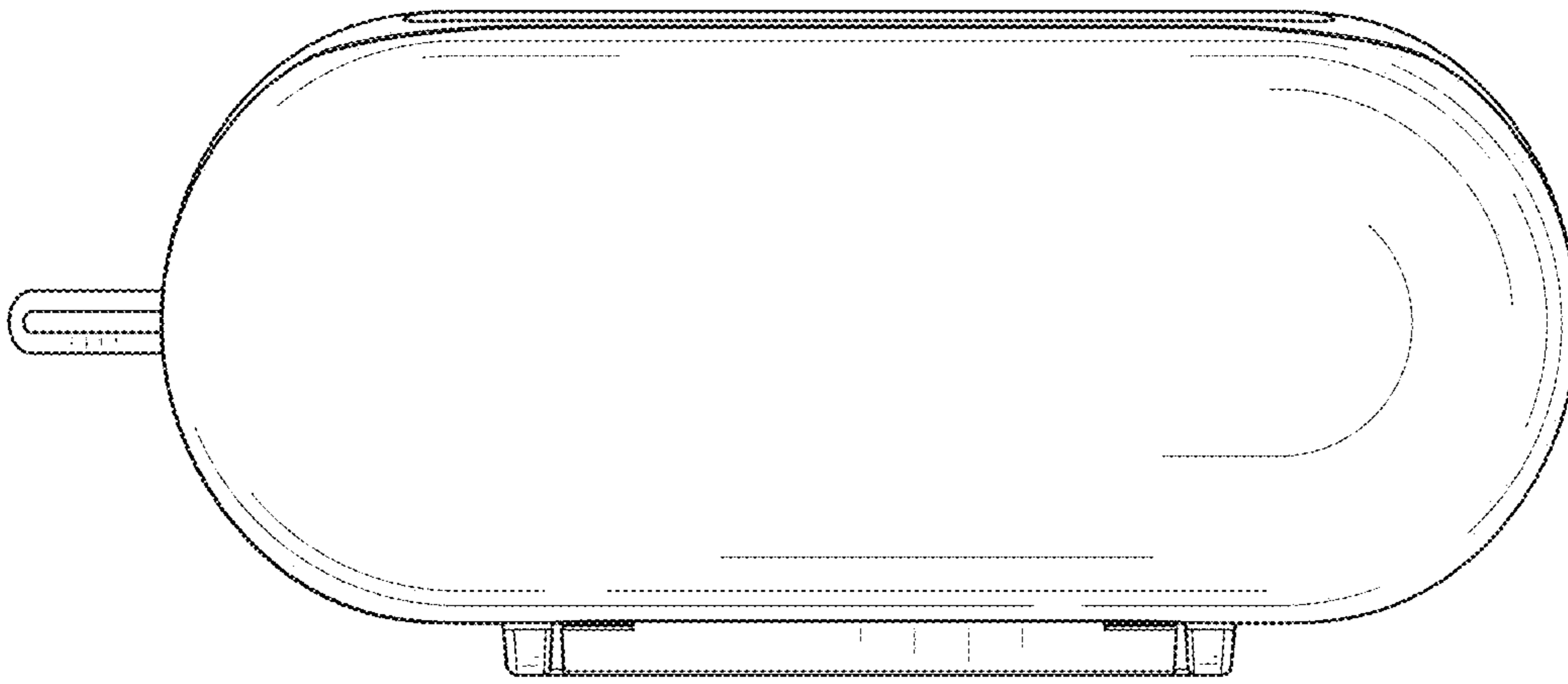


FIG. 7

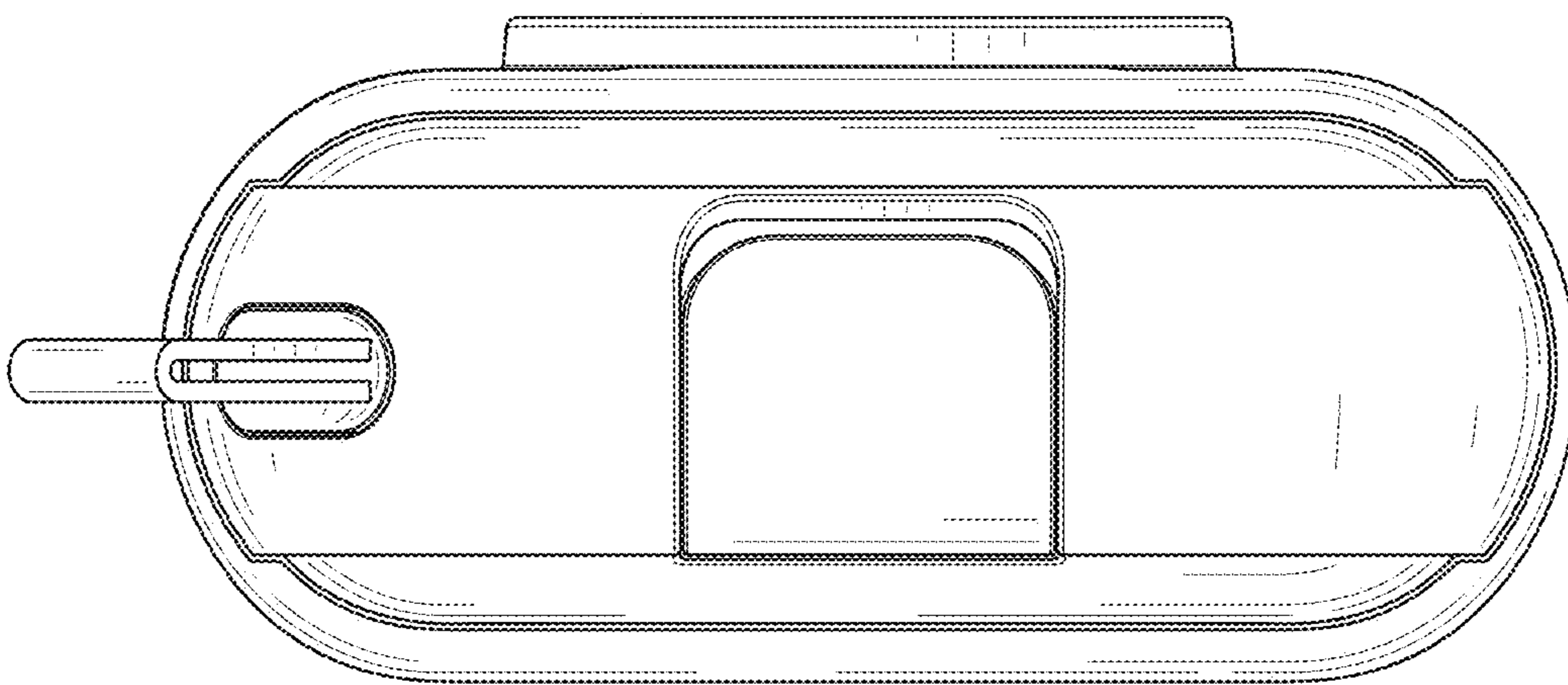


FIG. 8

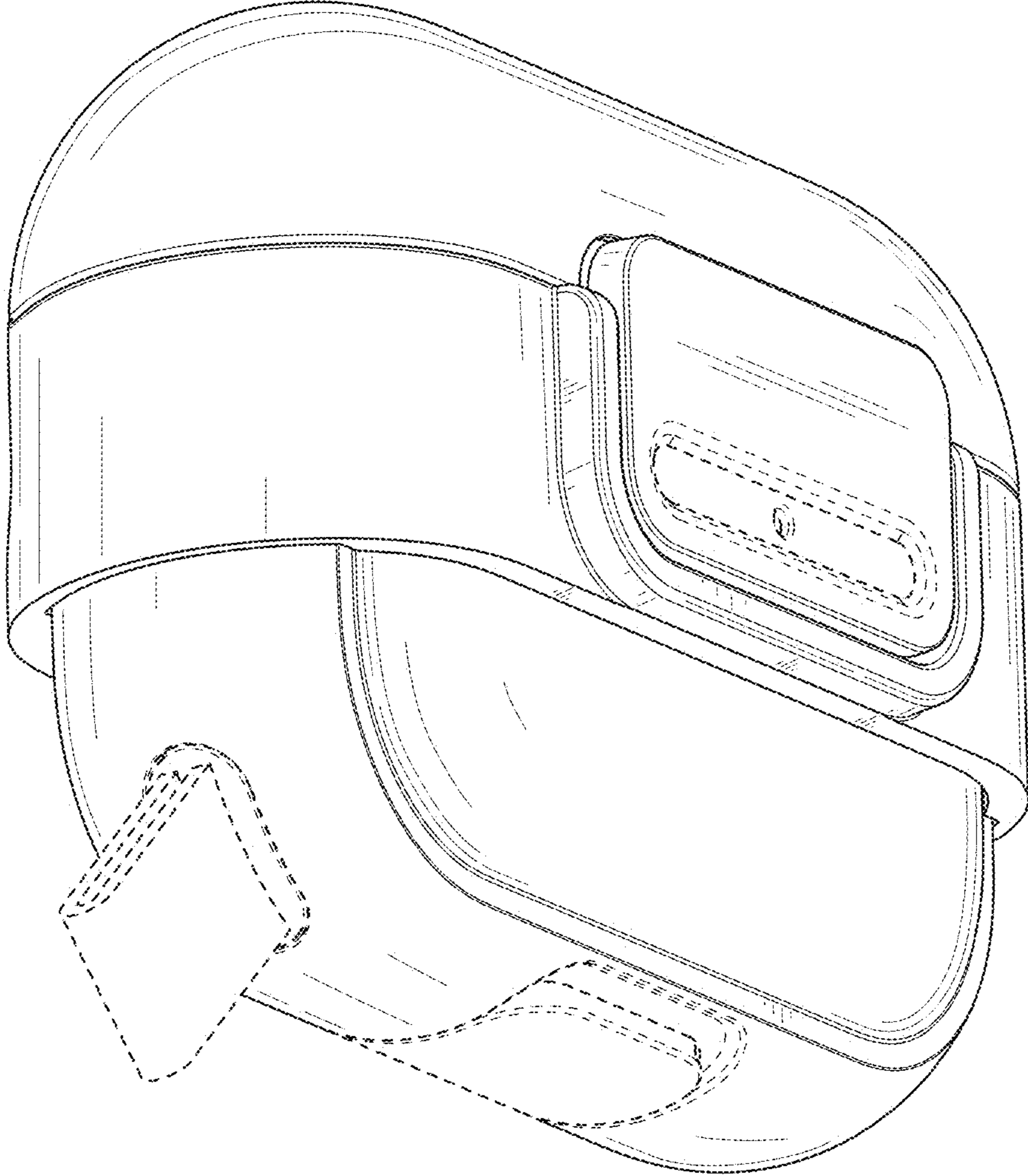


FIG. 9

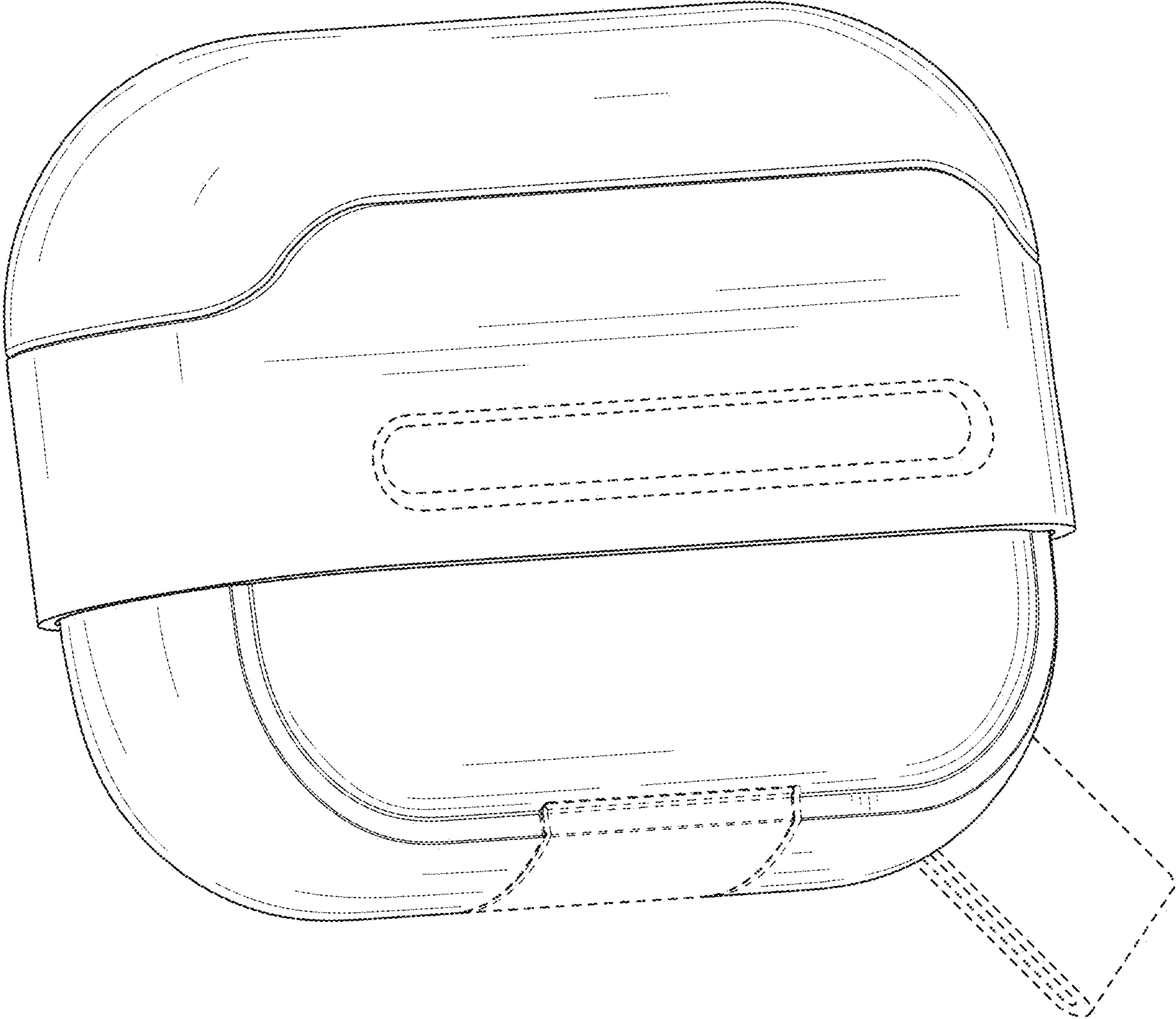


FIG. 10

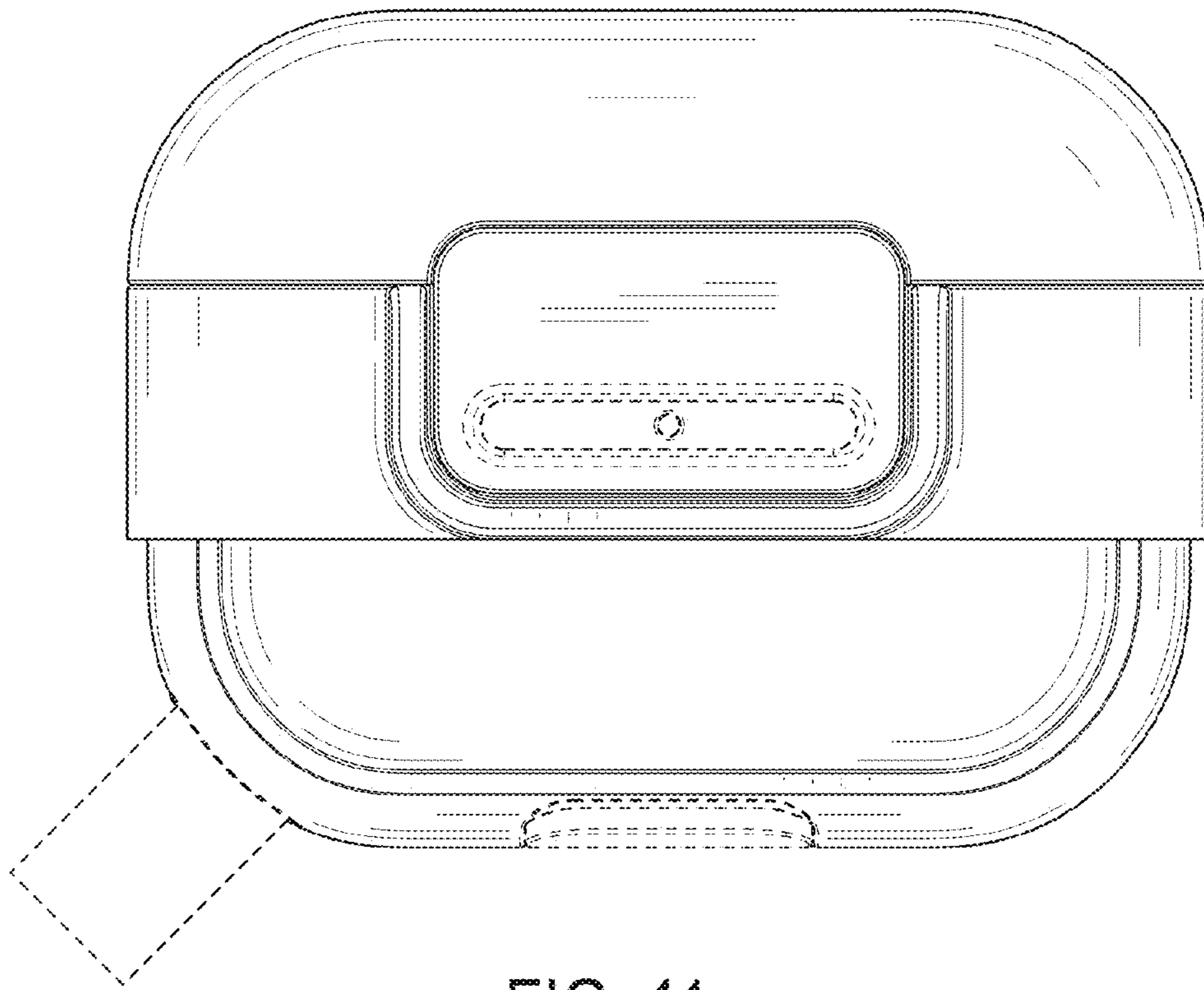


FIG. 11

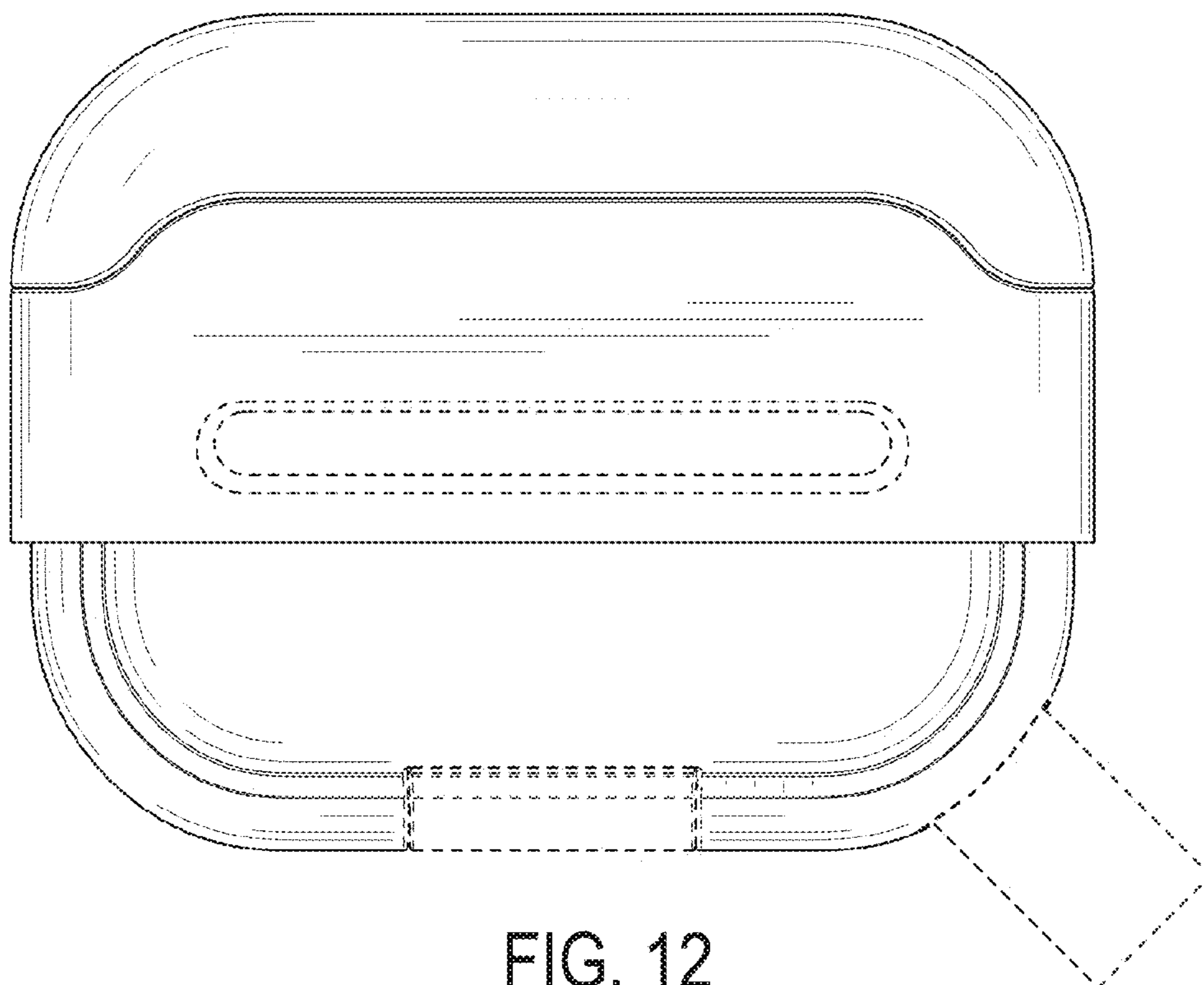


FIG. 12

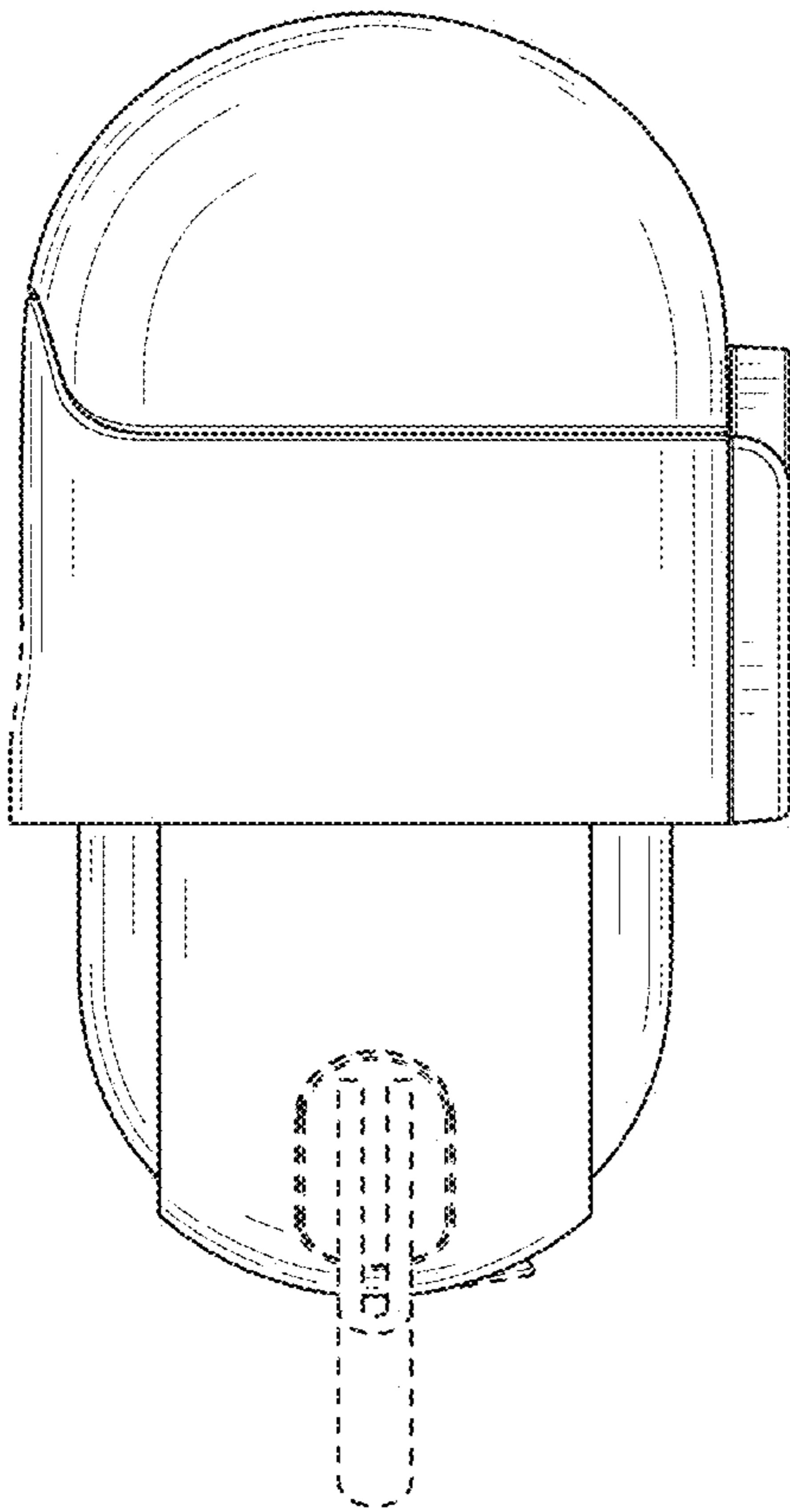


FIG. 13

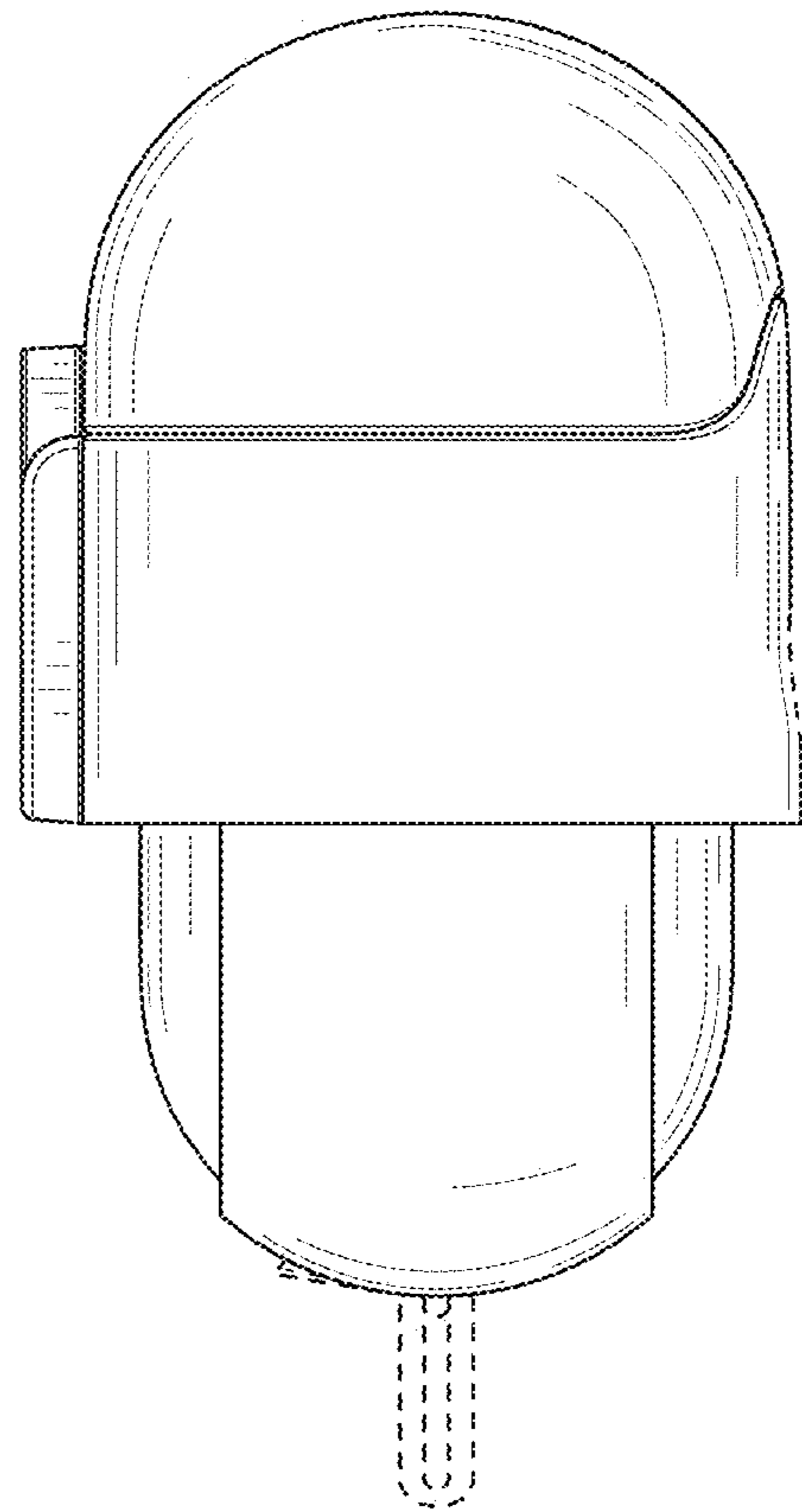


FIG. 14

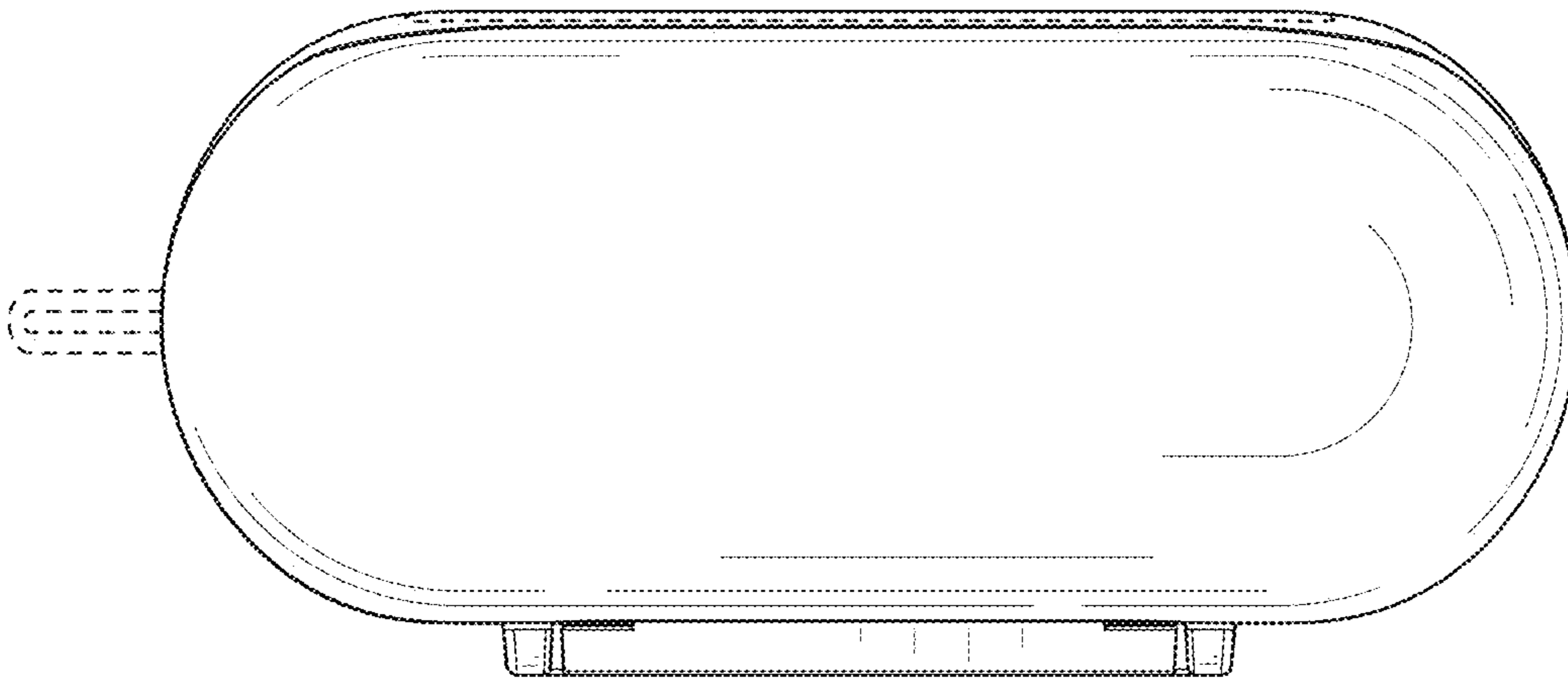


FIG. 15

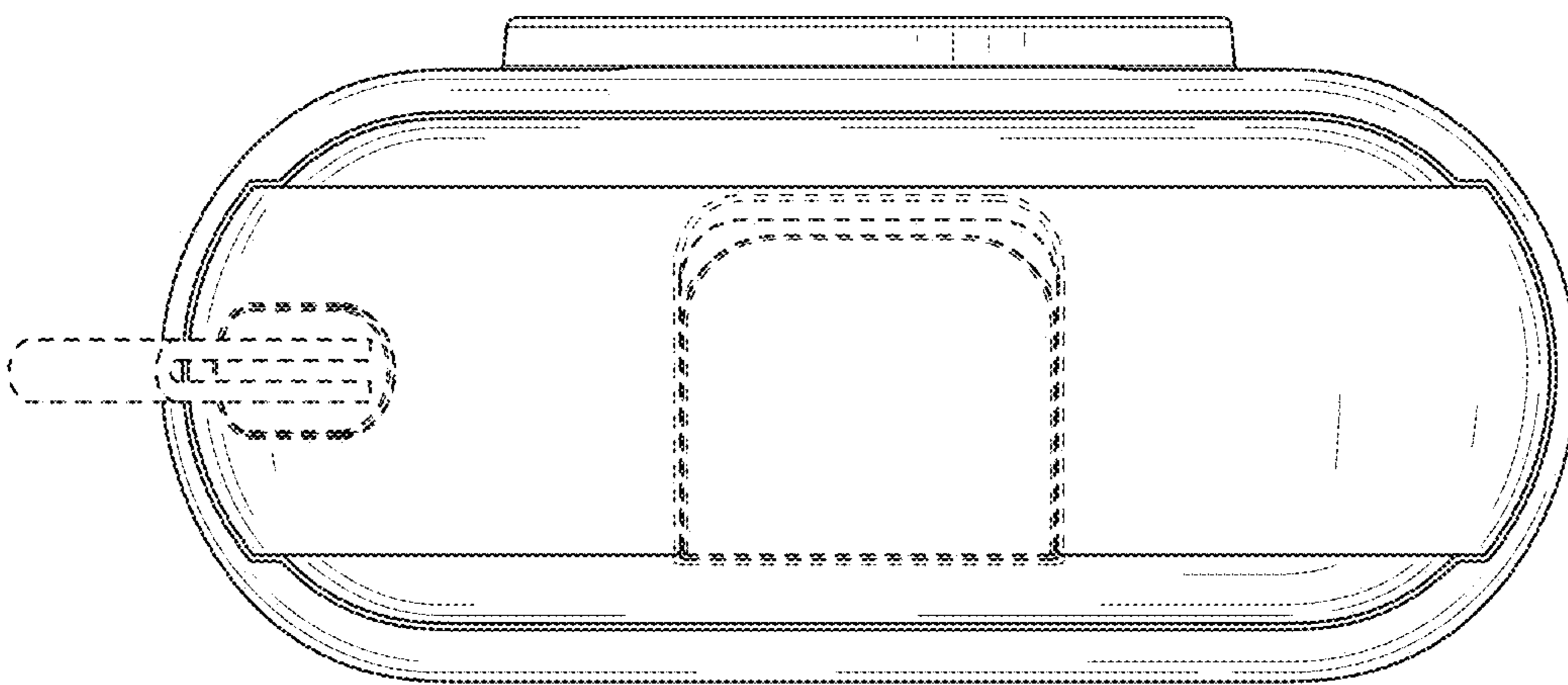


FIG. 16