



US00D958535S

(12) **United States Design Patent** (10) **Patent No.:** **US D958,535 S**  
**Wright et al.** (45) **Date of Patent:** **\*\* Jul. 26, 2022**

(54) **OUTER COVERING FOR EARBUD CASE**

(71) Applicant: **Speculative Product Design, LLC**, San Mateo, CA (US)

(72) Inventors: **Monica Elizabeth Wright**, Falls Church, VA (US); **Darrick Del Moral**, San Bruno, CA (US); **Bryan Lee Hyncek**, Redwood City, CA (US)

(73) Assignee: **Speculative Product Design, LLC**, San Mateo, CA (US)

(\*\*) Term: **15 Years**

(21) Appl. No.: **29/743,050**

(22) Filed: **Jul. 17, 2020**

(51) **LOC (13) Cl.** ..... **03-01**

(52) **U.S. Cl.**  
USPC ..... **D3/299**

(58) **Field of Classification Search**  
USPC ..... D3/207, 212, 215, 218, 219, 266, 273, D3/275, 294, 299, 300, 302, 313, 201, D3/203.1, 205, 263, 264, 265, 274  
CPC ..... H04R 2460/17; A45C 11/04  
See application file for complete search history.

(56) **References Cited**

**U.S. PATENT DOCUMENTS**

D386,611 S 11/1997 Sheu  
D426,950 S 6/2000 Conway  
D576,037 S 9/2008 Beam et al.  
7,673,745 B2 3/2010 Sirichai et al.

(Continued)

**FOREIGN PATENT DOCUMENTS**

CN 208015951 U 10/2018  
CN 304877424 11/2018

(Continued)

**OTHER PUBLICATIONS**

DamonLight Premium Cover for AirPods Case, announced Jul. 26, 2018 [online][site visited Apr. 26, 2022], Available from internet, URL: <<https://www.amazon.com/DamonLight-Silicone-Carabiner-Protective-Compatible/dp/B07MZHFBVQ>> (Year: 2018).\*

(Continued)

*Primary Examiner* — Kevin K Rudzinski

*Assistant Examiner* — Amber J Rabie

(74) *Attorney, Agent, or Firm* — Lerner, David, Littenberg, Krumholz & Mentlik, LLP

(57) **CLAIM**

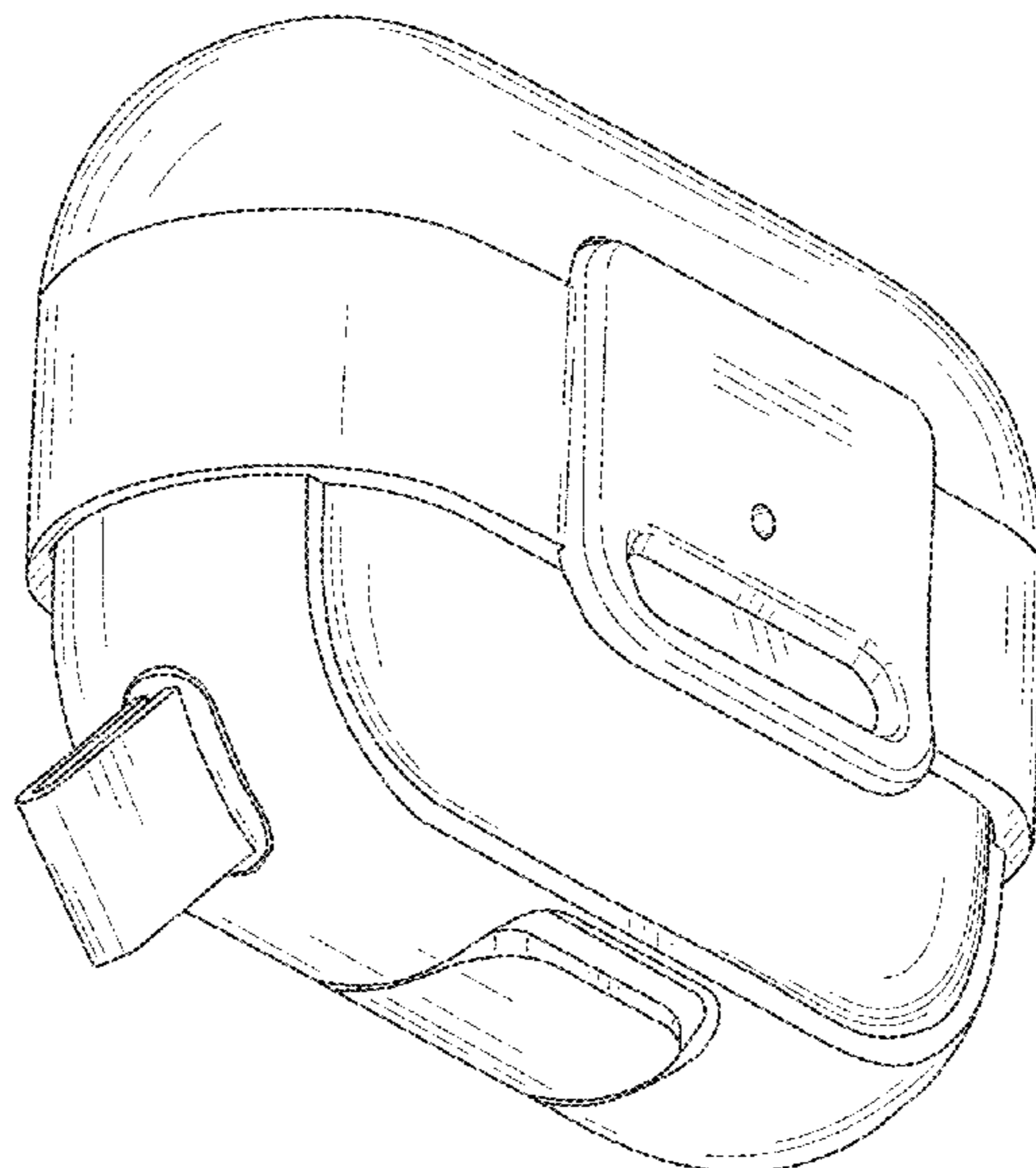
The ornamental design for an outer covering for earbud case, as shown and described.

**DESCRIPTION**

FIG. 1 is a front perspective view of an outer covering for earbud case according to a first embodiment of our design; FIG. 2 is a front elevation view thereof; FIG. 3 is a rear elevation view thereof; FIG. 4 is a right side elevation view thereof; FIG. 5 is a left side elevation view thereof; FIG. 6 is a top plan view thereof; FIG. 7 is a bottom plan view thereof; FIG. 8 is a front perspective view of an outer covering for earbud case according to a second embodiment of our design; FIG. 9 is a front elevation view thereof; FIG. 10 is a rear elevation view thereof; FIG. 11 is a right side elevation view thereof; FIG. 12 is a left side elevation view thereof; FIG. 13 is a top plan view thereof; and, FIG. 14 is a bottom plan view thereof.

The broken lines of even length depict portions of the outer covering for earbud case that form no part of the claimed design.

**1 Claim, 8 Drawing Sheets**



(56)

References Cited

U.S. PATENT DOCUMENTS

7,775,354 B2 8/2010 Latchford et al.  
8,755,852 B2 6/2014 Hyncek et al.  
D708,784 S 7/2014 Kim  
9,304,375 B2 4/2016 Moon et al.  
9,565,910 B2 2/2017 Magness  
9,565,913 B2 2/2017 Fathollahi  
9,686,878 B2 6/2017 Choi et al.  
D794,617 S 8/2017 Wright et al.  
D794,618 S \* 8/2017 Wright ..... H04R 1/1091  
D14/238.1  
9,731,886 B2 8/2017 Chang  
9,748,998 B2 8/2017 Gronewoller et al.  
9,769,558 B2 9/2017 Chandramohan et al.  
9,770,082 B2 9/2017 Gronewoller et al.  
D806,388 S 1/2018 Akana et al.  
D818,268 S 5/2018 Akana et al.  
9,961,431 B2 5/2018 McPeak et al.  
9,961,433 B2 5/2018 Chawan et al.  
9,967,644 B2 5/2018 Chawan et al.  
9,967,648 B2 5/2018 Panecki et al.  
9,967,649 B2 5/2018 Chandramohan et al.  
9,967,650 B2 5/2018 Chawan et al.  
9,973,840 B2 5/2018 Wagman et al.  
10,009,678 B2 6/2018 Panecki et al.  
10,028,559 B2 7/2018 Gronewoller et al.  
10,085,083 B2 9/2018 Minoo et al.  
10,097,913 B2 10/2018 Zorkendorfer et al.  
D834,301 S \* 11/2018 Poissant ..... D3/201  
10,144,551 B2 12/2018 Ni  
10,182,282 B2 1/2019 McPeak et al.  
10,212,506 B2 2/2019 Panecki et al.  
10,219,598 B2 3/2019 Gronewoller et al.  
10,225,637 B2 3/2019 Panecki et al.  
10,232,986 B2 3/2019 Bucholtz et al.  
D849,401 S 5/2019 Akana et al.  
10,397,683 B2 8/2019 LeBlanc et al.  
D864,565 S 10/2019 Lee et al.  
D868,453 S 12/2019 Lee et al.  
D869,161 S \* 12/2019 Zhong ..... D3/294  
D872,094 S 1/2020 Wright et al.  
D872,469 S 1/2020 Lee et al.  
D872,723 S 1/2020 Lee et al.  
D878,045 S 3/2020 Akana et al.  
D878,754 S 3/2020 Lee et al.  
D881,566 S 4/2020 Lee et al.  
D882,259 S 4/2020 Liu  
D887,402 S 6/2020 Chun  
D888,408 S 6/2020 Lee et al.  
D891,771 S 8/2020 Lee et al.  
D891,774 S 8/2020 Yu  
D892,497 S 8/2020 Wright et al.  
D892,498 S 8/2020 Wright et al.  
D893,166 S 8/2020 Lu  
D898,664 S 10/2020 Bhutan  
D900,471 S 11/2020 Jones  
D901,177 S 11/2020 Wei  
D901,382 S 11/2020 Zhang  
D904,346 S 12/2020 Wright et al.  
D907,009 S 1/2021 Akana et al.  
D907,049 S 1/2021 Yu  
D911,706 S 3/2021 Hyun  
D913,292 S 3/2021 Brown  
D914,604 S 3/2021 Wang  
D924,560 S 7/2021 Hyun  
D924,565 S 7/2021 Gould  
D930,361 S 9/2021 Jacobs  
2006/0091222 A1 5/2006 Leung et al.  
2007/0256946 A1 11/2007 Godshaw et al.  
2008/0090622 A1 4/2008 Kim et al.  
2011/0005648 A1 1/2011 Sa  
2011/0017620 A1 1/2011 Latchford et al.  
2012/0085047 A1 4/2012 Hiscock et al.  
2014/0069825 A1 3/2014 Macrina et al.  
2014/0376763 A1 12/2014 Stevinson  
2015/0076187 A1 3/2015 Cohen

2016/0198823 A1 7/2016 Bergreen et al.  
2017/0094381 A1 3/2017 LeBlanc et al.  
2018/0191392 A1 7/2018 Poon  
2019/0075900 A1 3/2019 Hyncek et al.  
2019/0081299 A1 3/2019 Chiang et al.  
2020/0100573 A1 4/2020 Ekelund  
2021/0029424 A1 1/2021 Wright et al.

FOREIGN PATENT DOCUMENTS

CN 208581338 U 3/2019  
CN 208939608 U 6/2019  
CN 305198691 6/2019  
CN 209234022 U 8/2019  
CN 209547264 U 10/2019

OTHER PUBLICATIONS

Elago AirPods Waterproof Silicone Case (no date) [online][site visited Apr. 26, 2022], Available from internet, URL: <https://sg.urbanoutfitters.com/en-sg/product/elago-airpods-waterproof-silicone-case/UO-49335706-000?color=red&size=one-size> (Year: 2022).  
\* European Union Intellectual Property Office, Registered Community Design No. 007546460-0001, entitled "Outer Covering for Earbud Case", filed and registered Jan. 23, 2020, and published on Feb. 13, 2020.  
European Union Intellectual Property Office, Registered Community Design No. 007546460-0002, entitled "Outer Covering for Earbud Case", filed and registered Jan. 23, 2020, and published on Feb. 13, 2020.  
European Union Intellectual Property Office, Registered Community Design No. 007546460-0003, entitled "Outer Covering for Earbud Case", filed and registered Jan. 23, 2020, and published on Feb. 13, 2020.  
European Union Intellectual Property Office, Registered Community Design No. 007843255-0001, entitled "Outer Covering for Earbud Case", filed and registered Apr. 28, 2020, and published on Jun. 12, 2020.  
European Union Intellectual Property Office, Registered Community Design No. 007843255-0002, entitled "Outer Covering for Earbud Case", filed and registered Apr. 28, 2020, and published on Jun. 12, 2020.  
European Union Intellectual Property Office, Registered Community Design No. 007843255-0003, entitled "Outer Covering for Earbud Case", filed and registered Apr. 28, 2020, and published on Jun. 12, 2020.  
European Union Intellectual Property Office, Registered Community Design No. 008403919-0001, entitled "Outer Covering for Earbud Case", filed and registered Jan. 15, 2021, and published on Jan. 22, 2021.  
European Union Intellectual Property Office, Registered Community Design No. 008403919-0002, entitled "Outer Covering for Earbud Case", filed and registered Jan. 15, 2021, and published on Jan. 22, 2021.  
European Union Intellectual Property Office, Registered Community Design No. 008403919-0003, entitled "Outer Covering for Earbud Case", filed and registered Jan. 15, 2021, and published on Jan. 22, 2021.  
European Union Intellectual Property Office, Registered Community Design No. 008403919-0004, entitled "Outer Covering for Earbud Case", filed and registered Jan. 15, 2021, and published on Jan. 22, 2021.  
Wright et al., U.S. Appl. No. 17/109,789, filed Dec. 2, 2020, titled "Protective Outer Case Especially for Audio Device Systems".  
Wright et al., U.S. Appl. No. 17/379,417, filed Jul. 19, 2021, titled "Protective Outer Case Especially for Portable Audio Device Systems".  
Del Moral et al., U.S. Appl. No. 29/800,487, filed Jul. 21, 2021, titled "Outer Covering for Earbud Case".  
Ekelund, U.S. Appl. No. 29/685,199, filed Mar. 27, 2019, titled "Storage Boxes".  
Fironst, "2019 Fironst Airpods Case Cover Silicon Fast Wireless Charging Ultra-Thin Soft Front LED Visible Skin Protector Com-

(56)

**References Cited**

## OTHER PUBLICATIONS

patible with Apple AirPods 2&1 (Glittery Blue)", <URL:https://www.amazon.com/Fironst-Silicone-Ultra-Thin-Protector-Compatible/dp/B07QC5M8T1?th=1>, as published as of Jun. 27, 2019, 1 page.

Keybudz, "PodSkinz AirPods Case Protective Silicone Cover and Skin Compatible with Apple AirPods 1 & AirPods 2 [Front LED Not Visible] (Cobalt Blue)", <URL:https://www.amazon.com/PodSkinz-Protective-Silicone-Compatible-Charging/dp/B076W7K7L7>, as published as of Jun. 27, 2019, 2 pages.

SeeHee, "Airpods 2 Silicone Case Cover Compatible Apple Airpods 2&1 [Front LED Visible] (Olive Green)", <URL: https://www.amazon.com/Airpods-Silicone-Cover-Compatible-Visible/dp/B07RQXJ1HF>, as published as of Jun. 27, 2019, 2 pages.

Wright et al., U.S. Appl. No. 16/522,408, filed Jul. 25, 2019, titled "Protective Outer Case for Audio Device Systems".

Wright et al., U.S. Appl. No. 29/699,465, filed Jul. 25, 2019, titled "Outer Covering for Earbud Case".

Wright et al., U.S. Appl. No. 29/711,009, filed Oct. 28, 2019, titled "Outer Covering for Earbud Case".

Speck Products Presidio Clear Airpods Case (Gen 1/2), first available Nov. 14, 2019, amazon.com [online], [site visited Oct. 1, 2021],

Available at internet URL: <https://www.amazon.com/Speck-Presidio-Clear-Airpods-Case/dp/B081GB8H6M> (Year: 2019).

"Catalyst Waterproof Case for AirPods—Special Edition—Glow in the Dark", <URL:https://www.apple.com/shop/product/HMUU2ZM/A/catalyst-waterproof-case-for-airpods-special-edition-glow-in-the-dark?afid=p238%7CsLXTwavx4-dc\_mtid\_1870765e38482\_pcrd\_246387003753\_pgrid\_15434682490\_&cid=aos-us-kwgo-pla-btb-catchall-slid-product-HMUU2ZM/A>, as published as of Jun. 27, 2019, 2 pages.

AhaStyle, "AhaStyle Upgrade AirPods Case Protective Cover [front LED Visible] Silicone Compatible with Apple AirPods 2 & 1 (Black)", <URL:https://www.amazon.com/AhaStyle-Silicone-Protective-Keychain-AirPods/dp/B077187F2R>, as published as of Jun. 27, 2019, 1 page.

Airpods Case sold by Casemate at least as early as Aug. 17, 2019. [online], [retrieved on Jan. 24, 2020]. Retrieved from the internet <URL:<<https://case-mate.com/blush-sheer-crystal-airpod-hookups>>>.

Airpods Case sold by Casemate at least as early as Jul. 7, 2019. [online], [retrieved on Jan. 30, 2020]. Retrieved from the internet <URL:<<https://case-mate.com/blush-sheer-crystal-airpod-hookups>>>.

\* cited by examiner

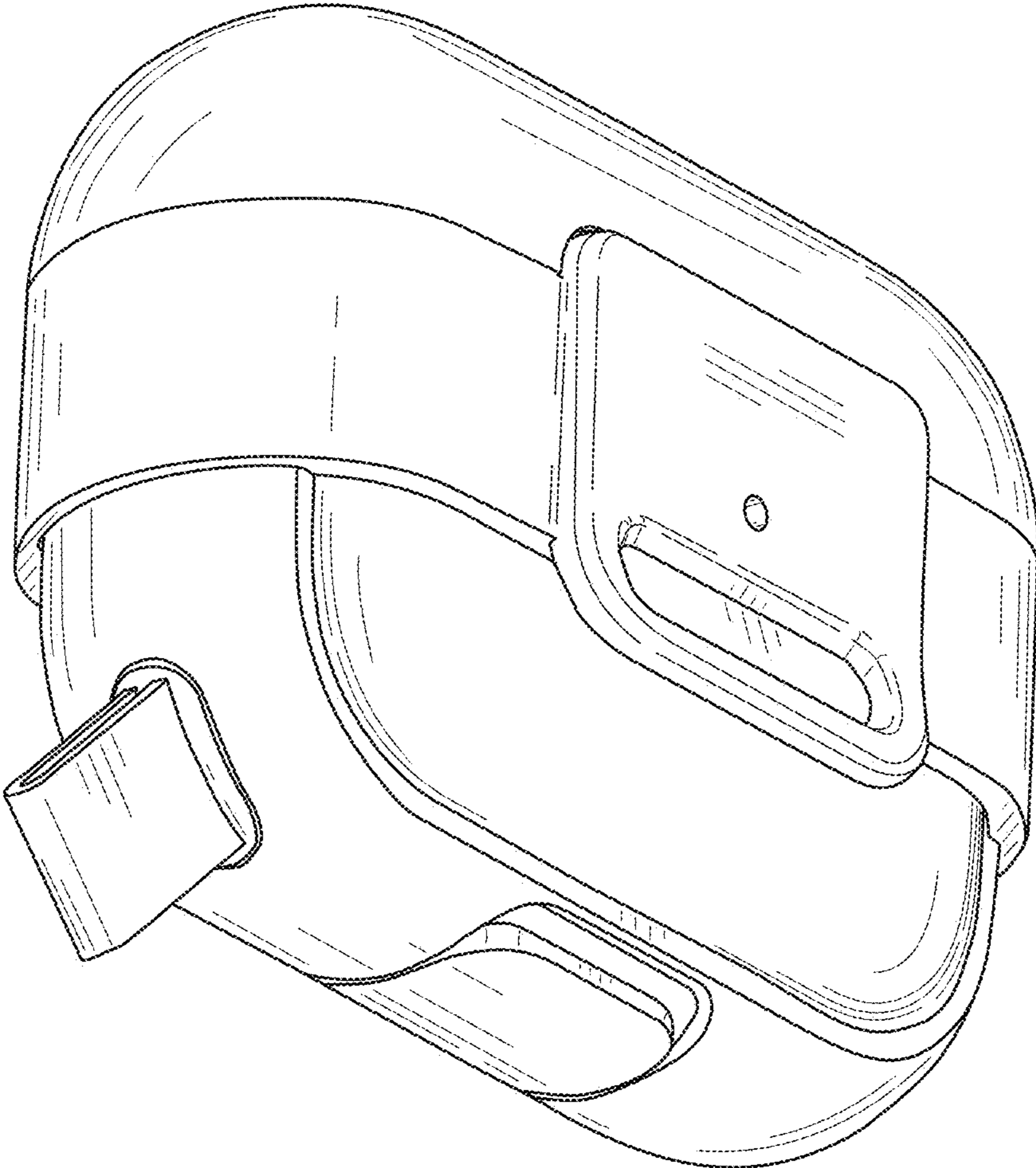


FIG. 1

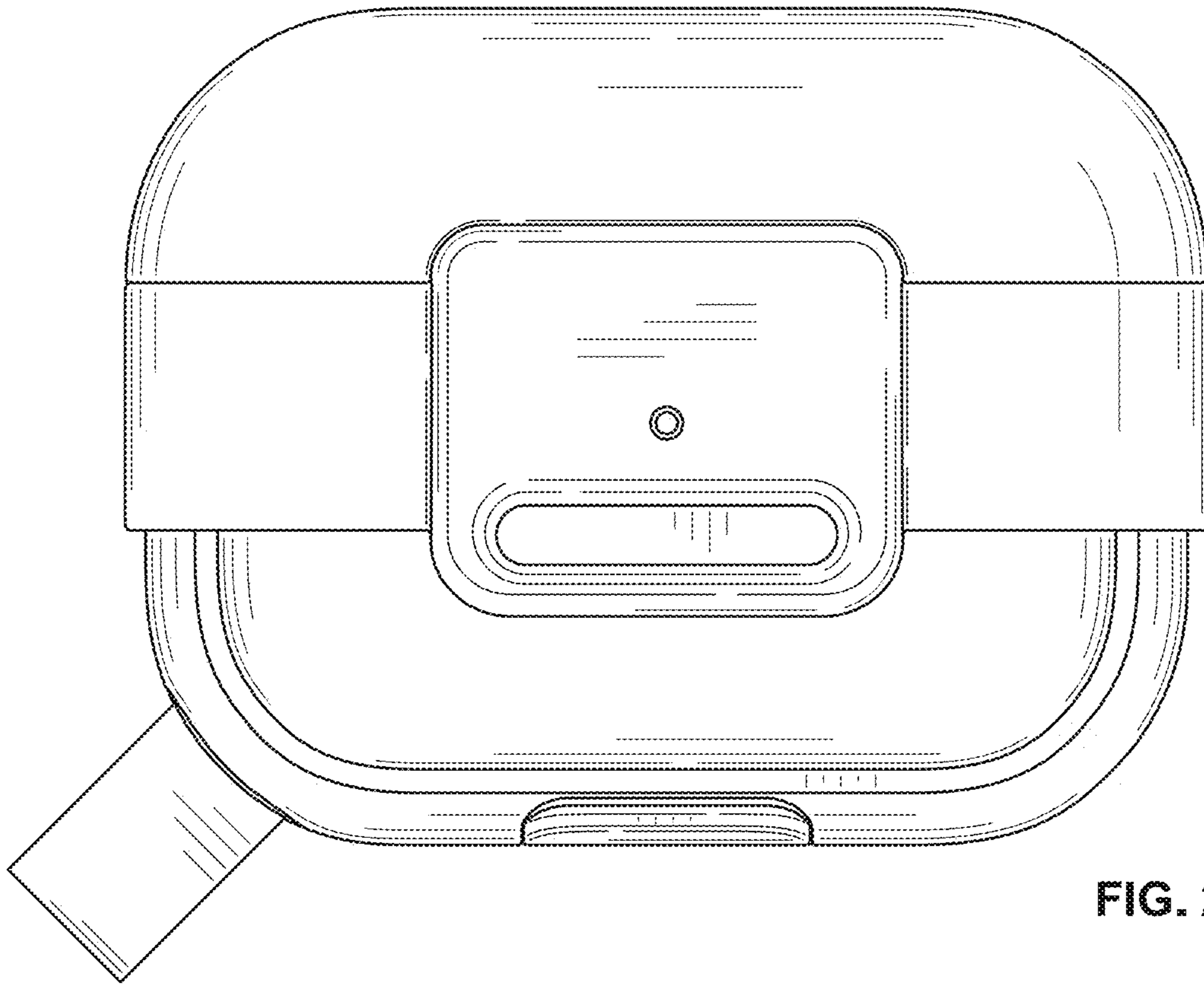


FIG. 2

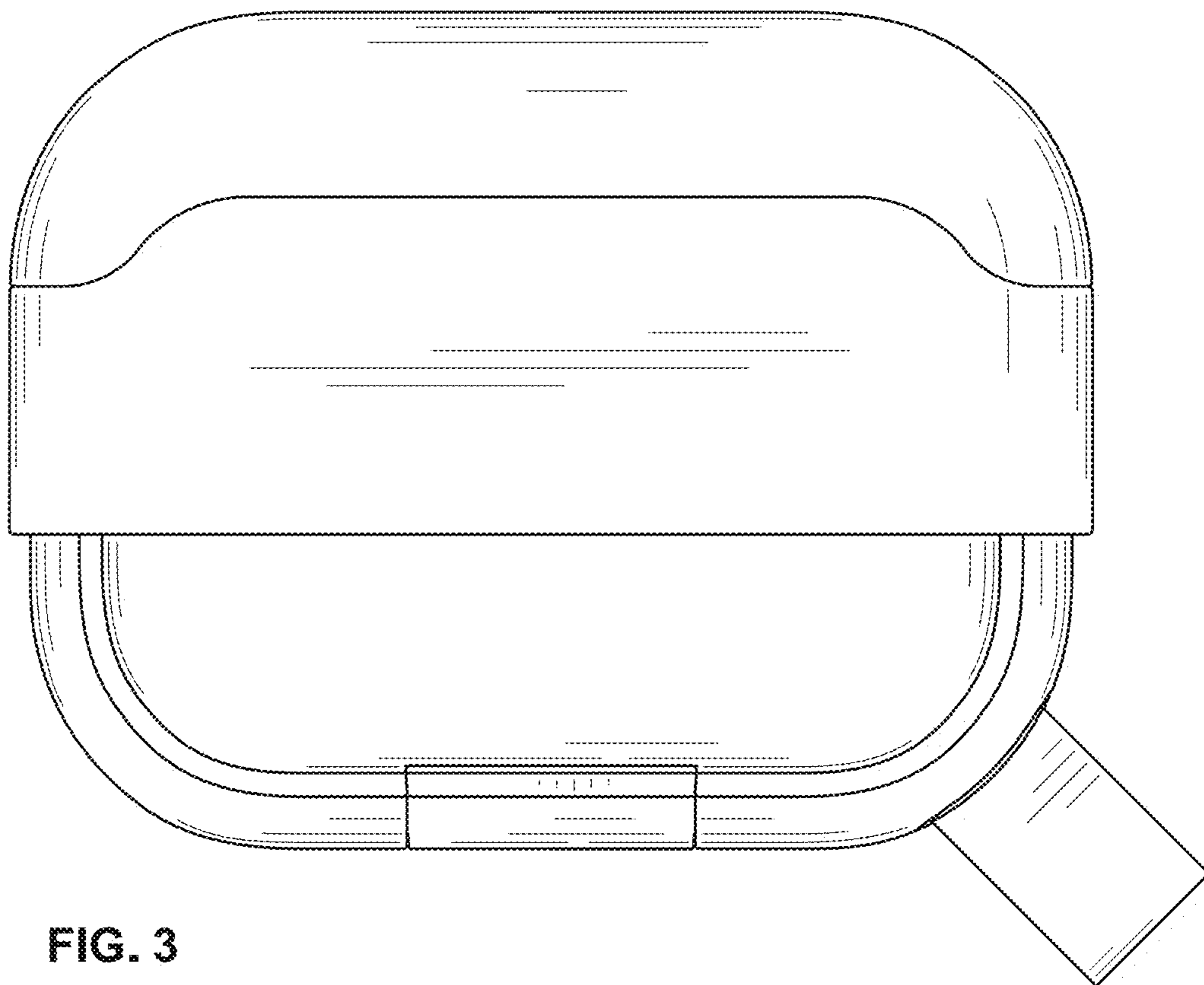


FIG. 3

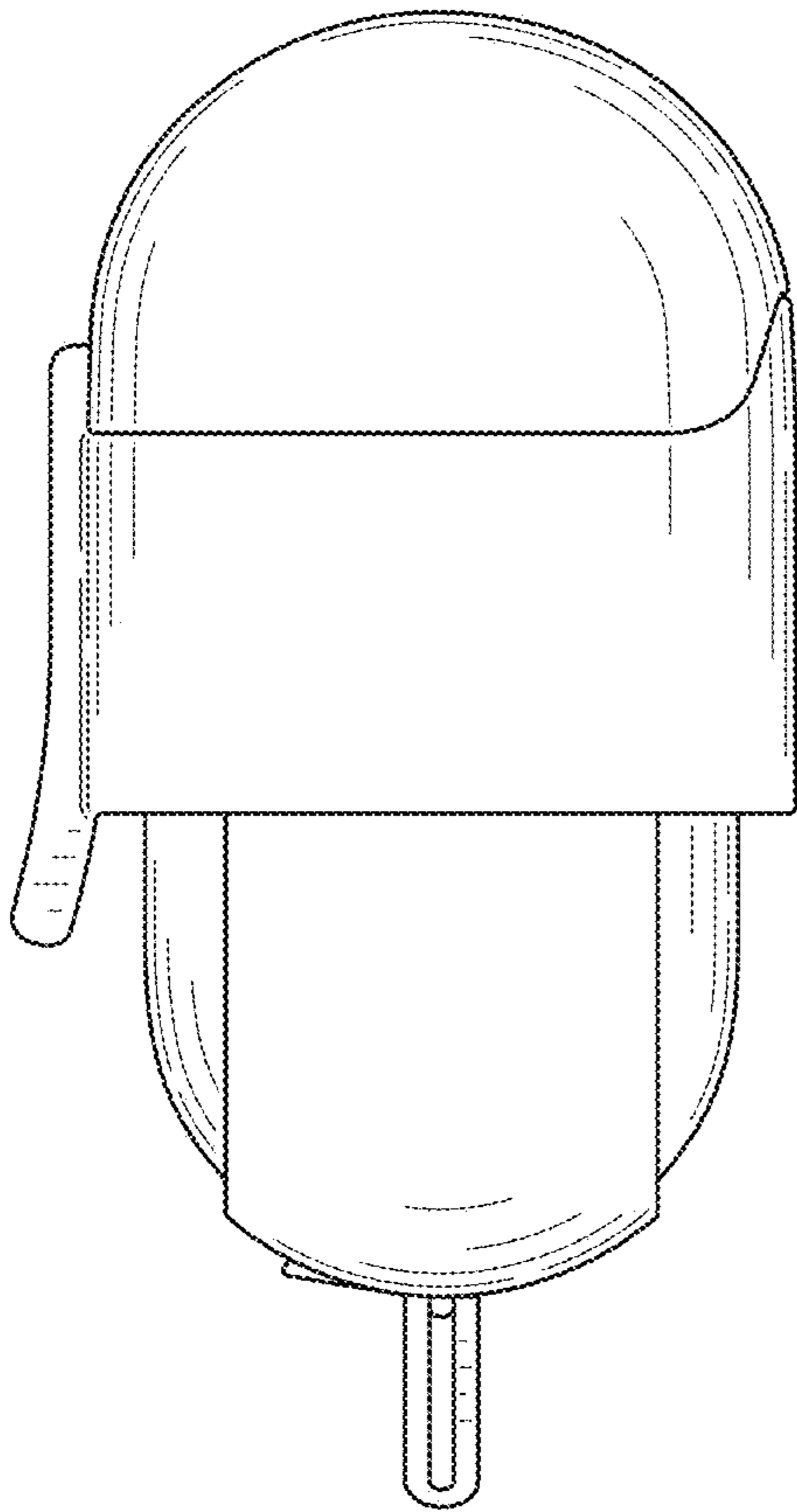


FIG. 4

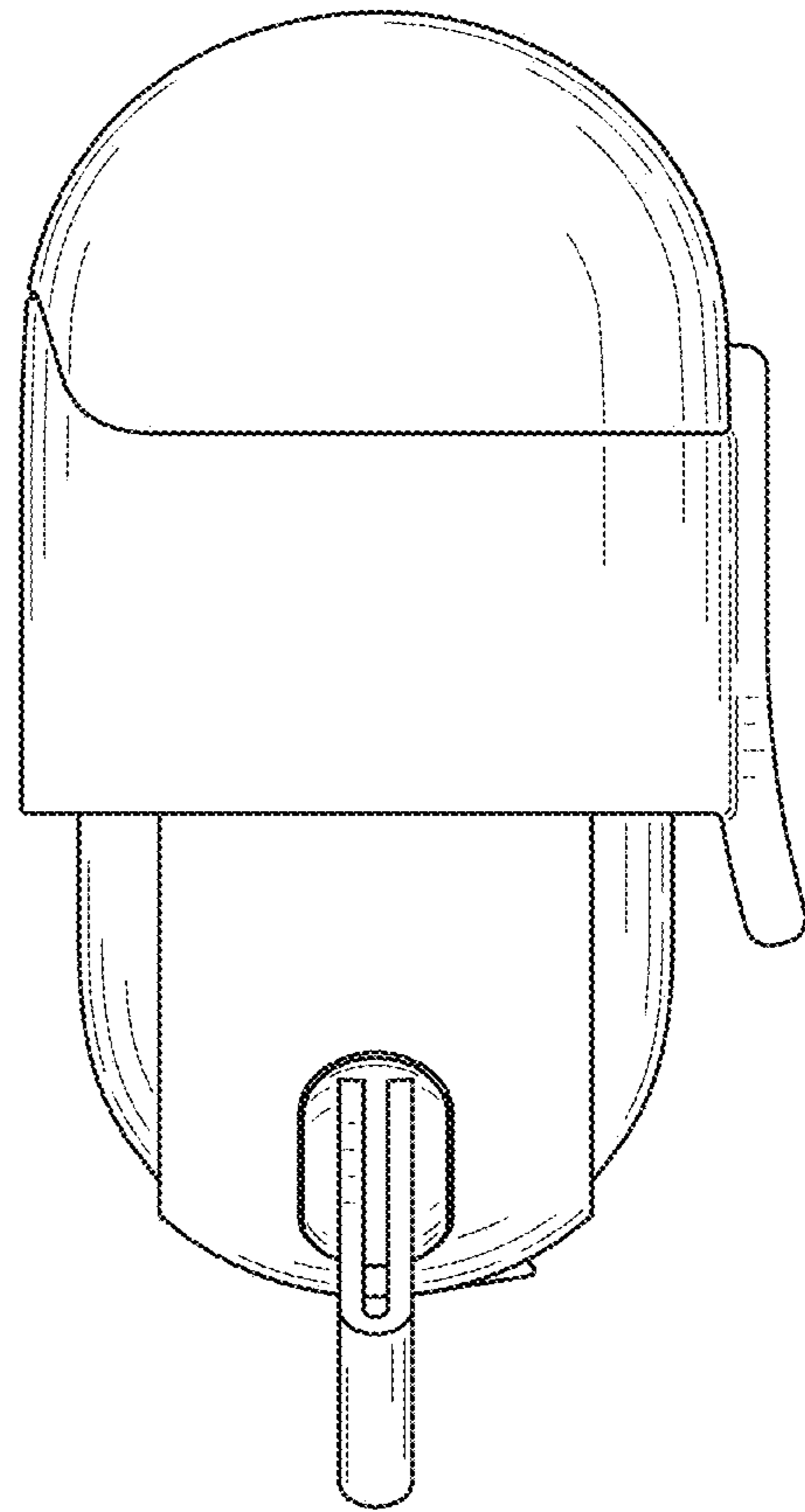


FIG. 5

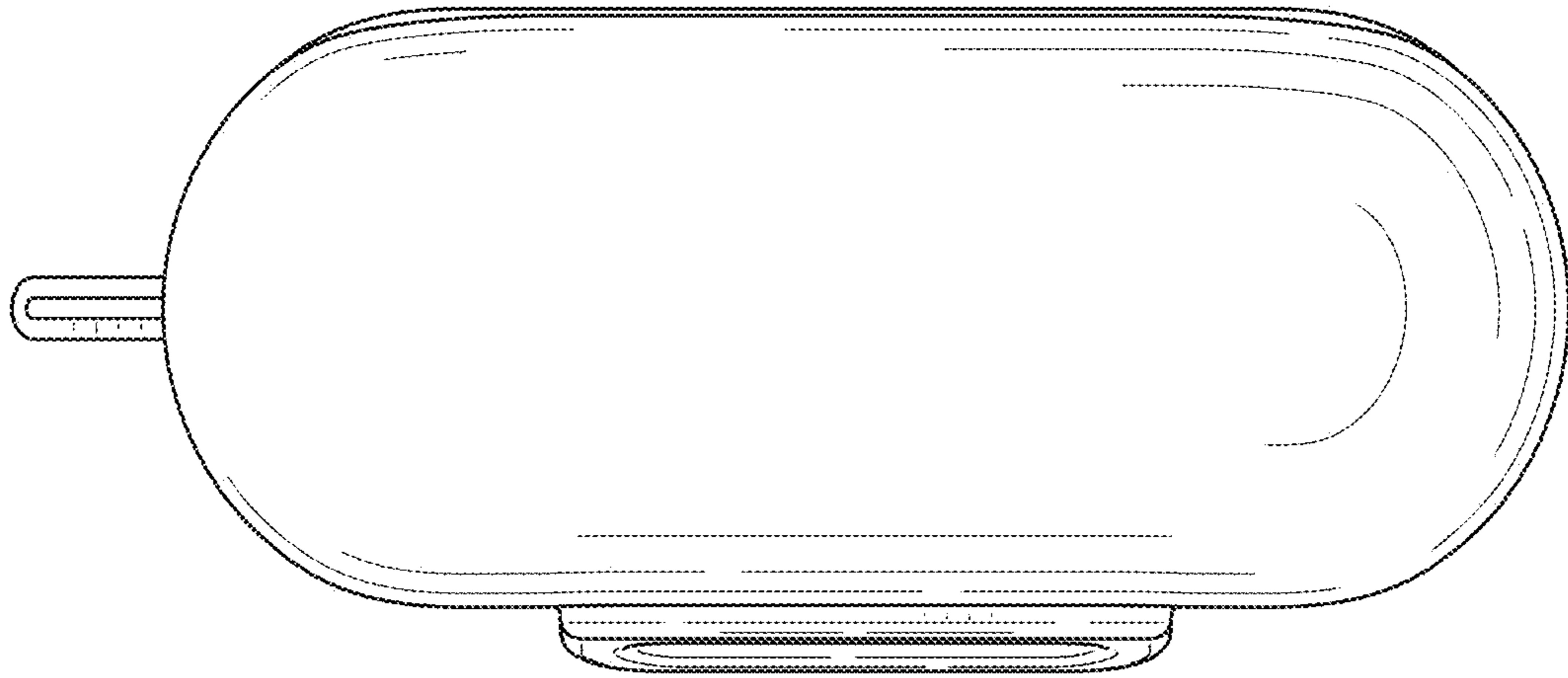


FIG. 6

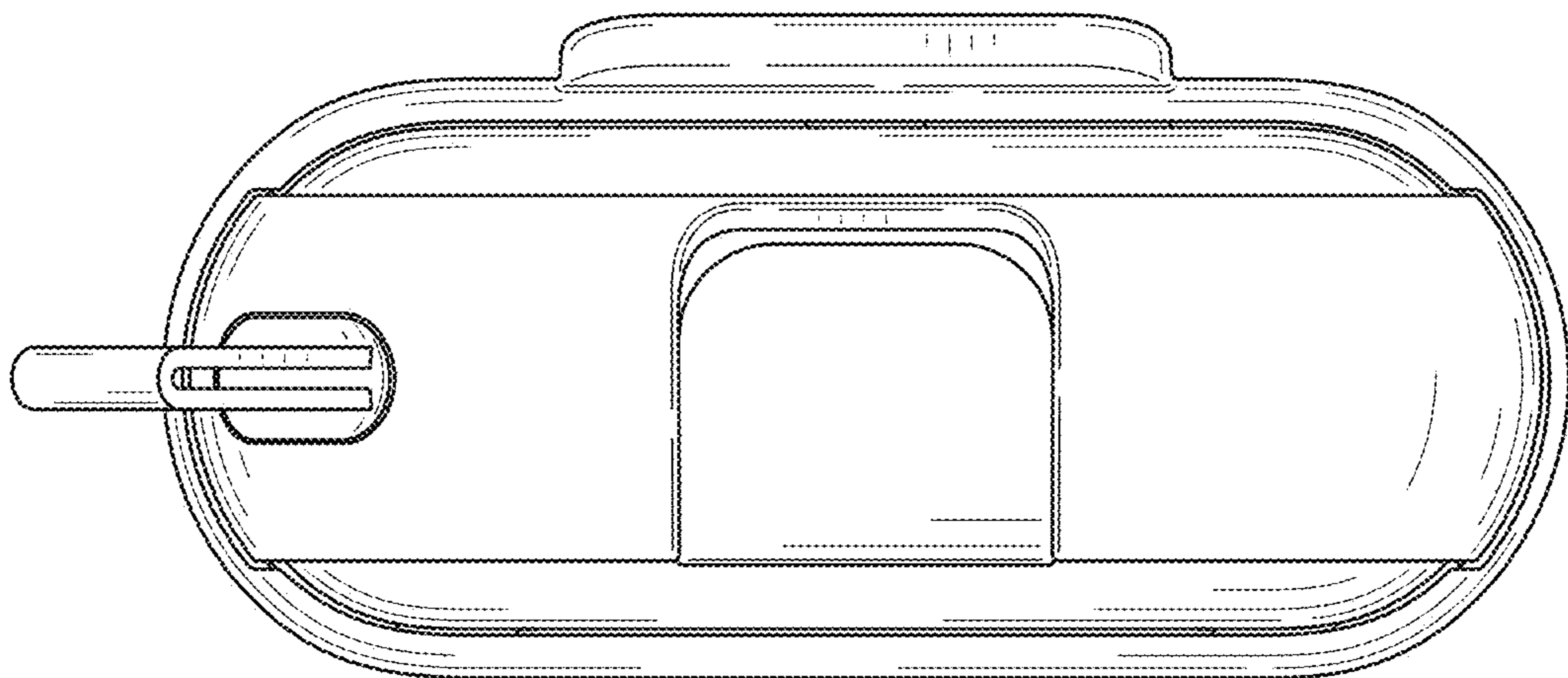


FIG. 7

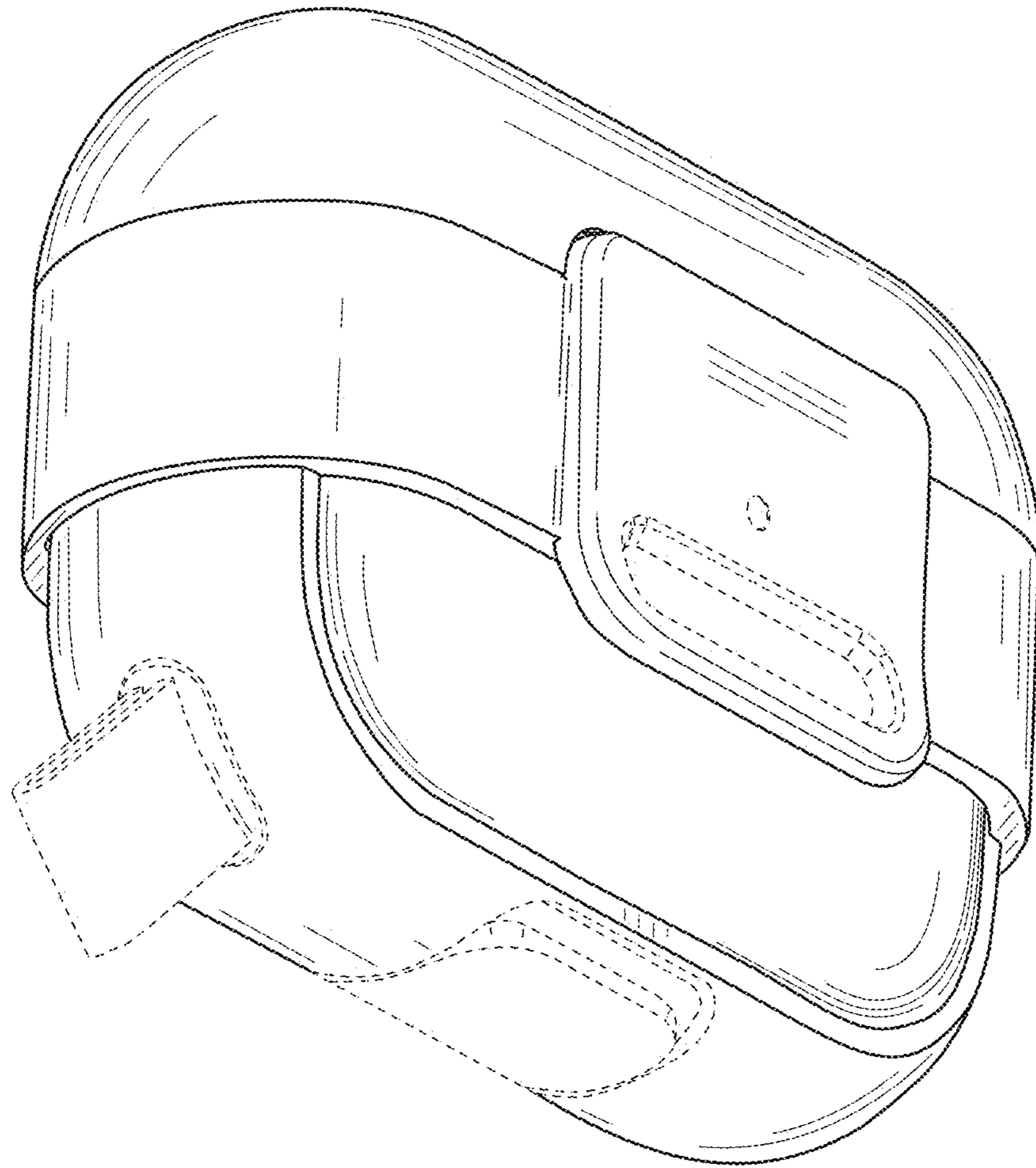


FIG. 8



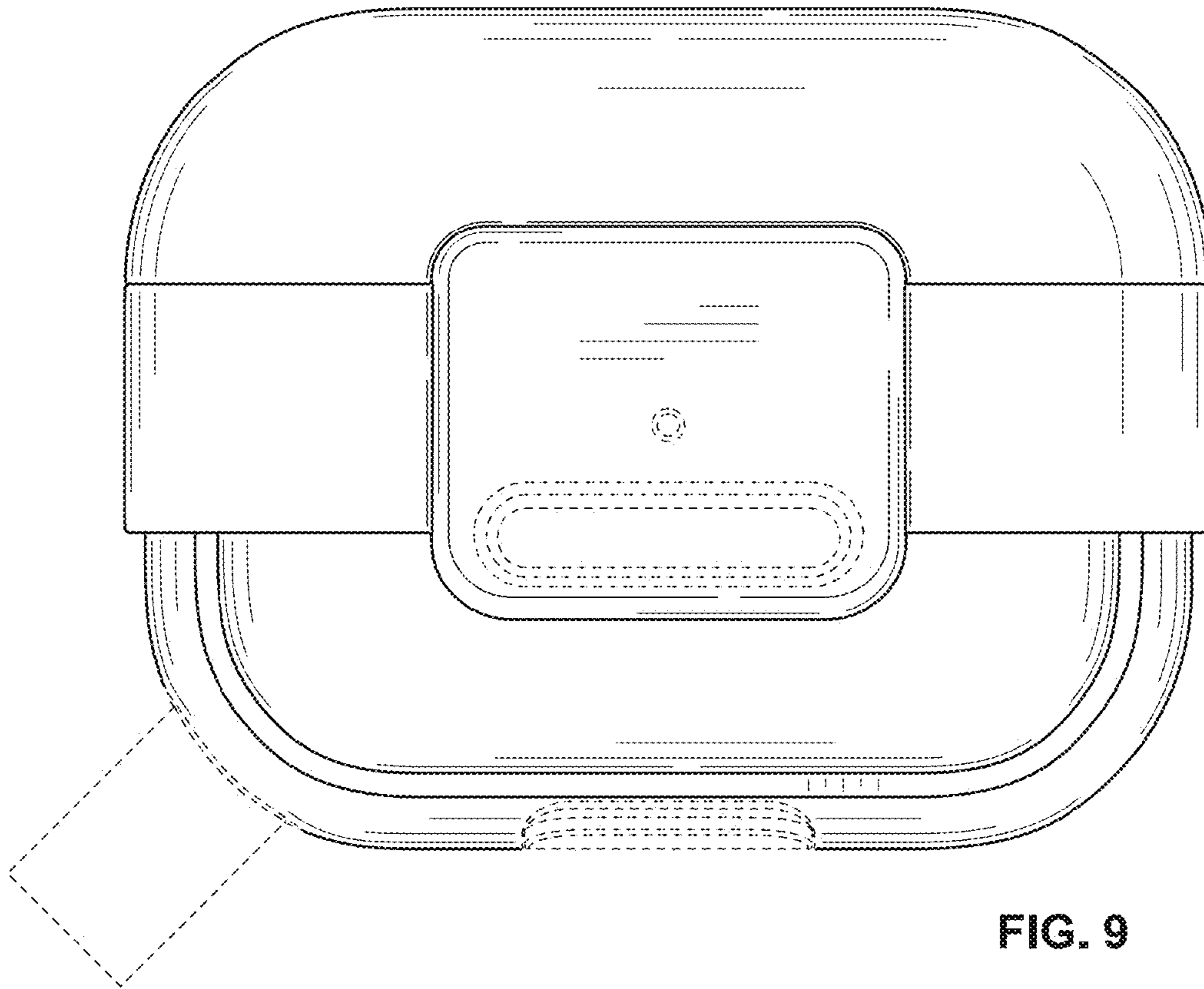


FIG. 9

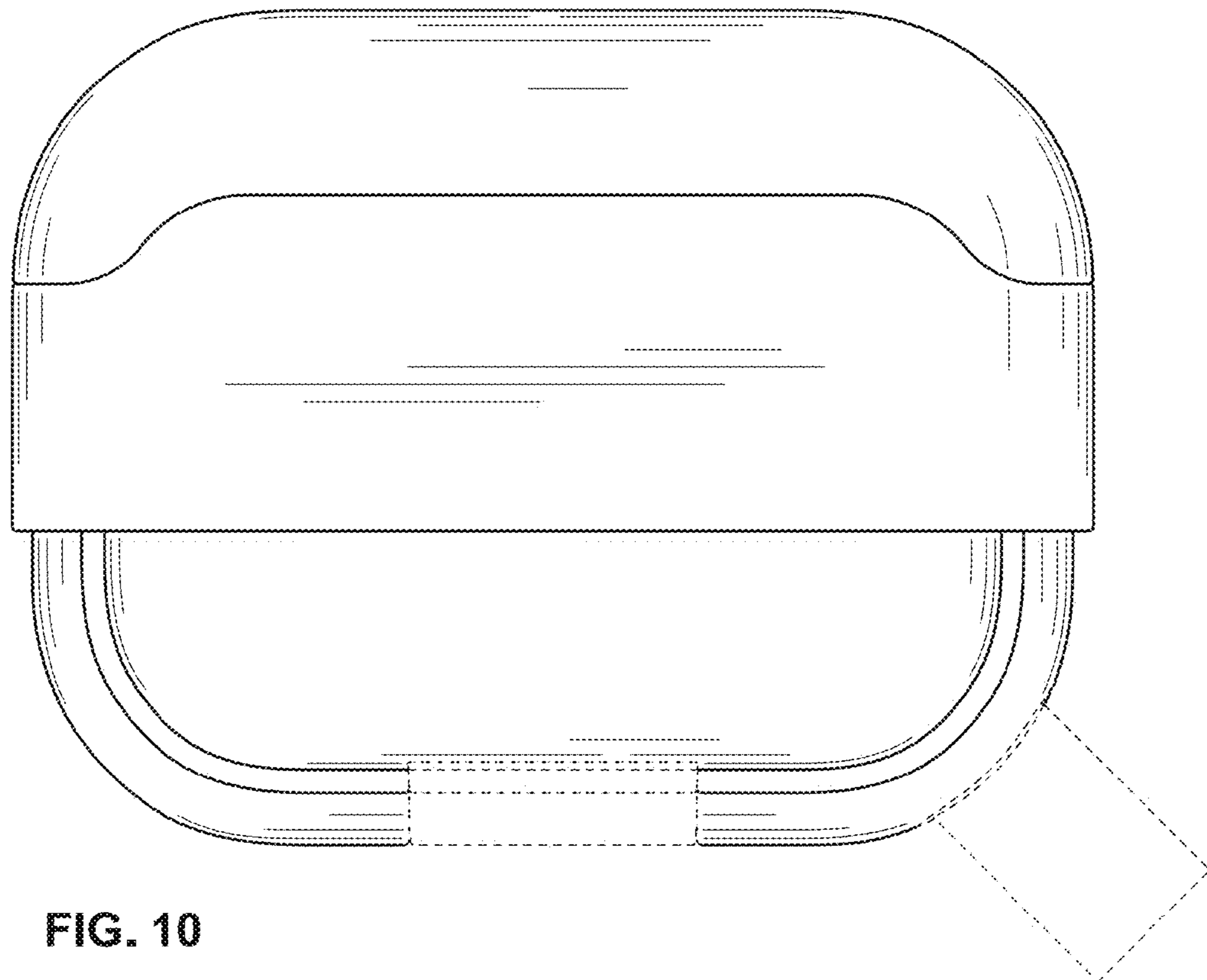


FIG. 10

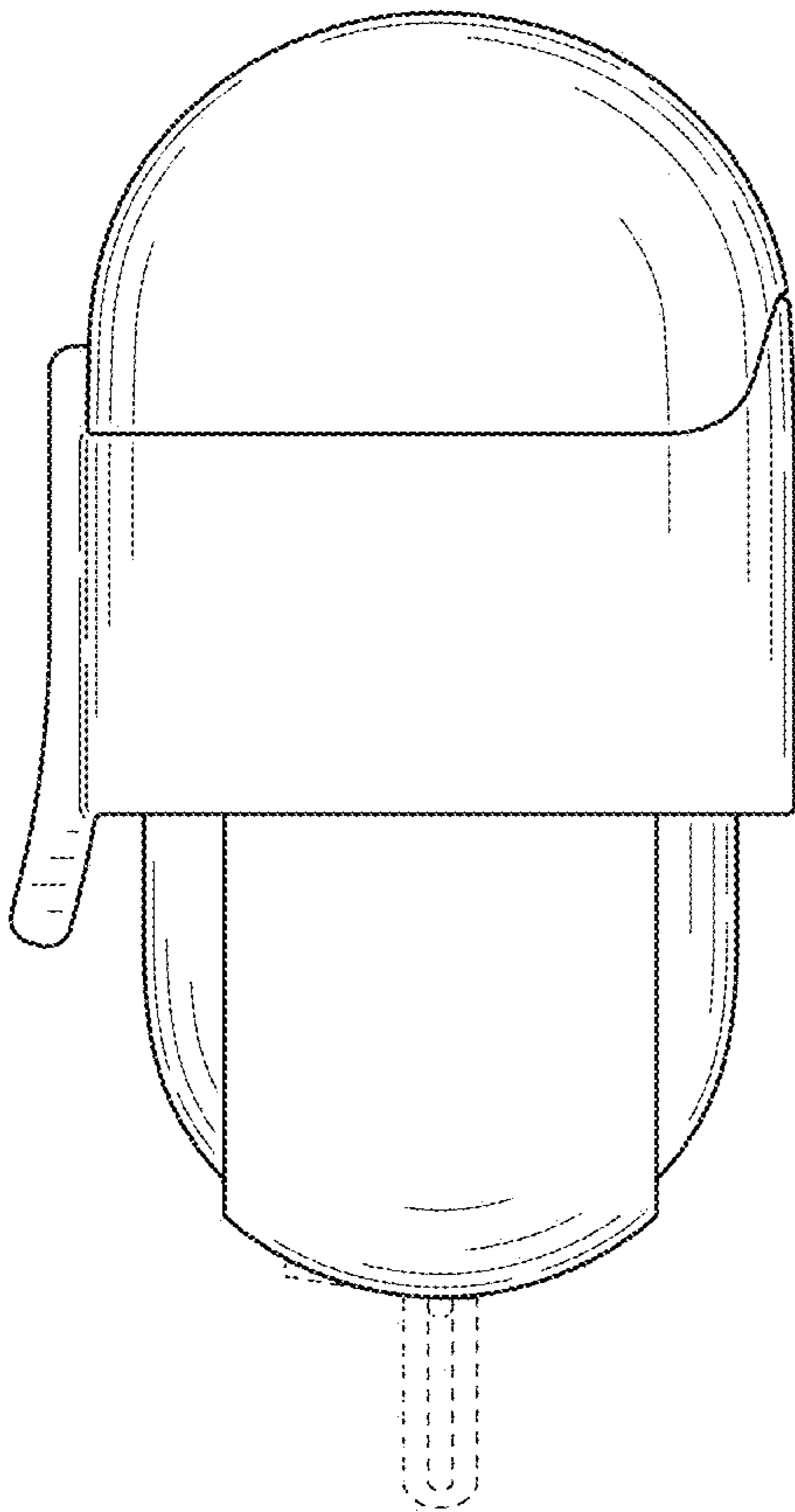


FIG. 11

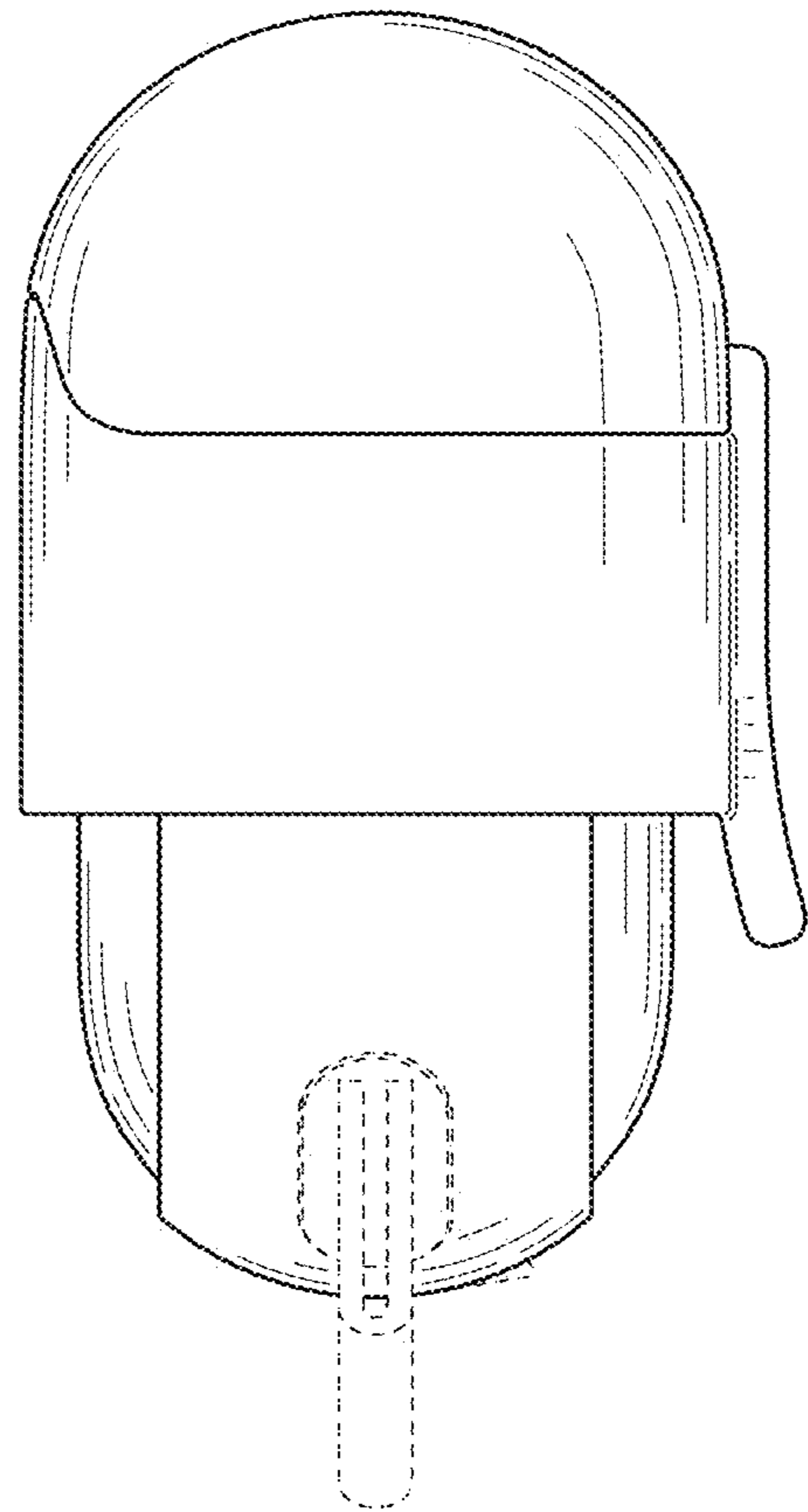


FIG. 12

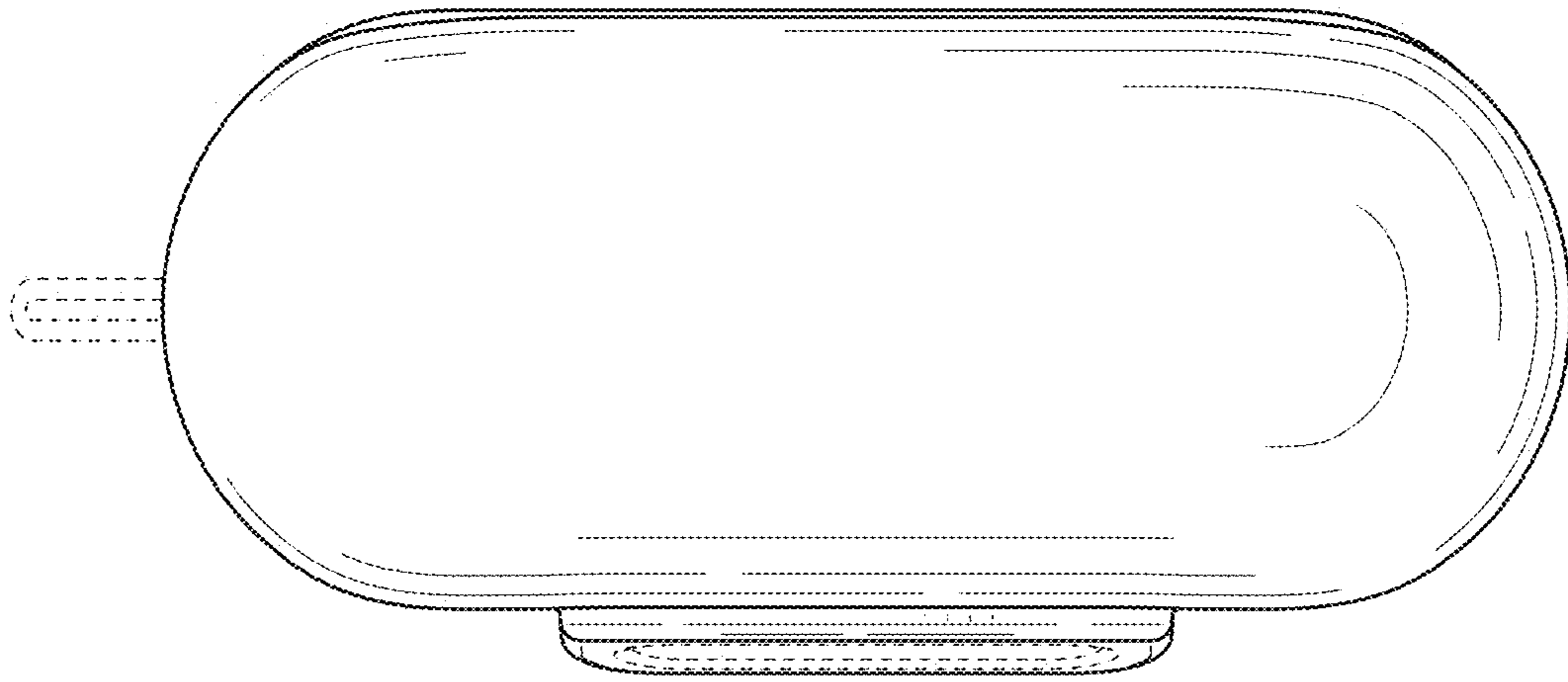


FIG. 13

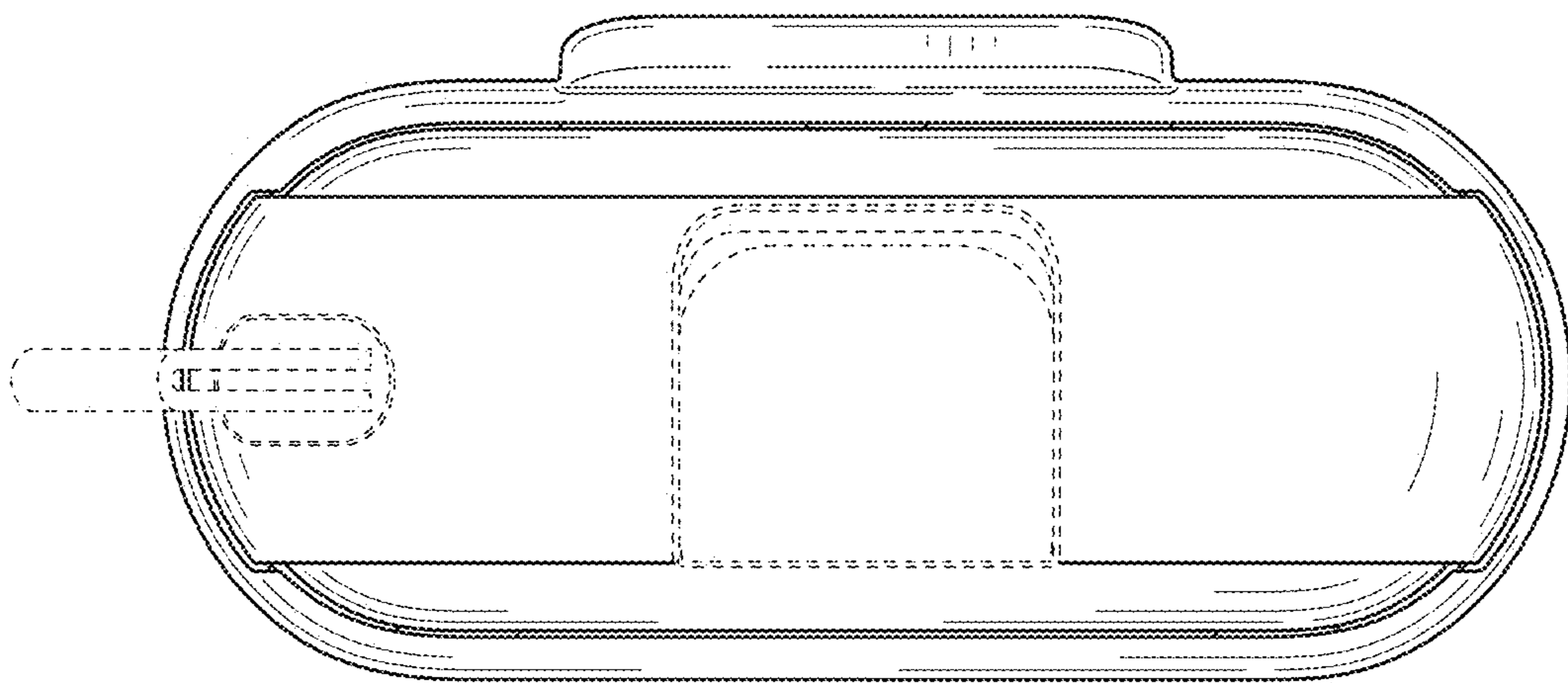


FIG. 14