



US00D958534S

(12) **United States Design Patent**
MacDonald

(10) **Patent No.:** **US D958,534 S**

(45) **Date of Patent:** **** Jul. 26, 2022**

- (54) **EARBUD HEADSET CASE**
- (71) Applicant: **Skullcandy, Inc.**, Park City, UT (US)
- (72) Inventor: **Kyle MacDonald**, Murray, UT (US)
- (73) Assignee: **Skullcandy, Inc.**, Park City, UT (US)
- (**) Term: **15 Years**
- (21) Appl. No.: **29/652,890**
- (22) Filed: **Dec. 30, 2020**
- (51) **LOC (13) Cl.** **03-01**
- (52) **U.S. Cl.**
USPC **D3/295**
- (58) **Field of Classification Search**
USPC D3/201, 207, 208, 211, 212, 274, 276,
D3/294, 295, 297; D9/504, 549
CPC H04R 1/1033
See application file for complete search history.

- 9,967,649 B2 5/2018 Chandramohan et al.
- 9,967,650 B2 5/2018 Chawan et al.
- 10,009,678 B2 6/2018 Panecki et al.
- (Continued)

FOREIGN PATENT DOCUMENTS

EM 008049399-0002 7/2020

OTHER PUBLICATIONS

U.S. Design Application filed Jan. 27, 2020, by Jacobs et al.,
Entitled "Earbud Headset Case", U.S. Appl. No. 29/722,198.
(Continued)

Primary Examiner — Kevin K Rudzinski
Assistant Examiner — Amber J Rabie
(74) *Attorney, Agent, or Firm* — TraskBritt

(57) **CLAIM**

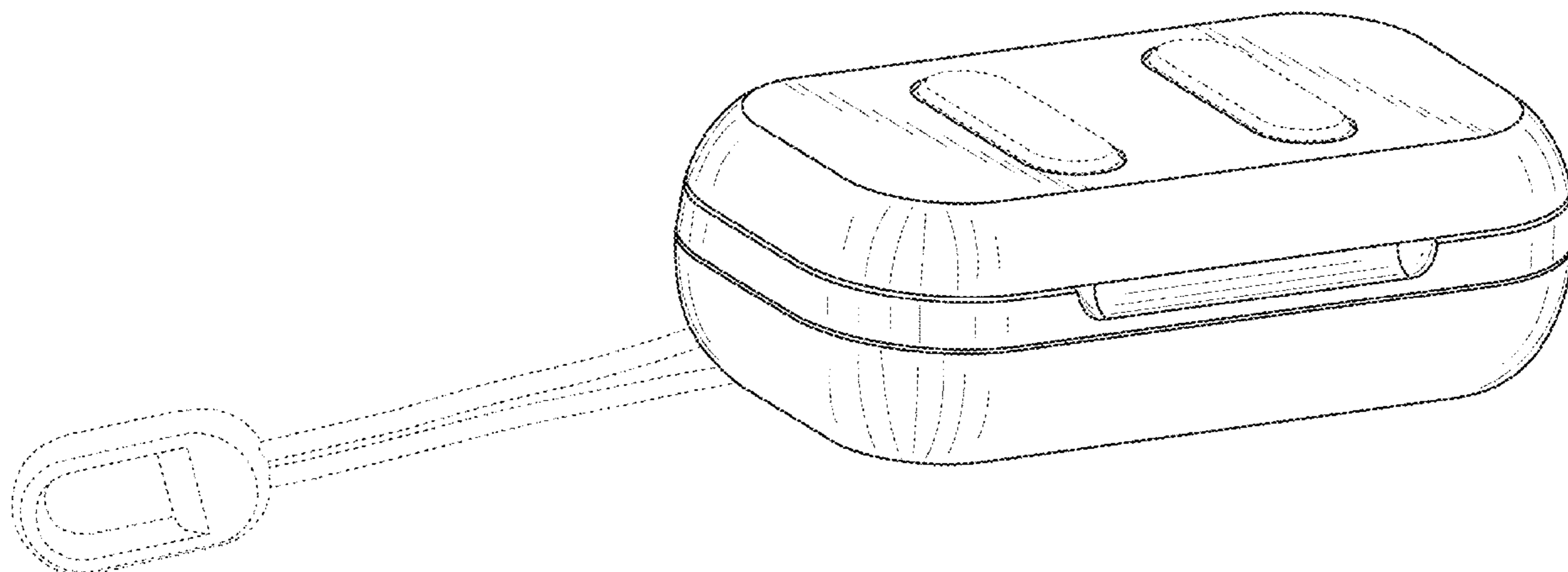
The ornamental design for an earbud headset case, as shown
and described.

DESCRIPTION

FIG. 1 is a perspective view of an earbud headset case according to my new design;
FIG. 2 is a front view of the earbud headset case shown in FIG. 1;
FIG. 3 is a rear view of the earbud headset case shown in FIG. 1;
FIG. 4 is a right side view of the earbud headset case shown in FIG. 1;
FIG. 5 is a left side view of the earbud headset case shown in FIG. 1;
FIG. 6 is top view of the earbud headset case shown in FIG. 1; and,
FIG. 7 is bottom view of the earbud headset case shown in FIG. 1.
The broken lines in FIGS. 1-7 illustrate unclaimed subject matter and do not form any part of the claimed design.

1 Claim, 6 Drawing Sheets

- (56) **References Cited**
- U.S. PATENT DOCUMENTS
- | | | | |
|--------------|---------|---------------------|--------|
| D49,217 S | 6/1916 | King | |
| D287,336 S * | 12/1986 | Roehrig | D9/423 |
| D393,367 S * | 4/1998 | Riddle | D3/276 |
| D548,970 S | 8/2007 | Huang | |
| D586,557 S * | 2/2009 | Jalet | D3/294 |
| 9,013,145 B2 | 4/2015 | Castillo et al. | |
| 9,148,717 B2 | 9/2015 | Shaffer | |
| D740,018 S * | 10/2015 | Zhang | D3/265 |
| D772,572 S * | 11/2016 | Palmborg | D3/294 |
| D772,840 S | 11/2016 | Forslund et al. | |
| 9,502,913 B2 | 11/2016 | Wilhelmsen et al. | |
| 9,723,390 B2 | 8/2017 | Shaffer | |
| 9,769,558 B2 | 9/2017 | Chandramohan et al. | |
| 9,800,966 B2 | 10/2017 | Knothe et al. | |
| 9,854,344 B2 | 12/2017 | Cheney et al. | |
| 9,949,015 B1 | 4/2018 | Panecki et al. | |
| 9,961,431 B2 | 5/2018 | McPeak et al. | |
| 9,961,433 B2 | 5/2018 | Chawan et al. | |
| 9,967,648 B2 | 5/2018 | Albonico et al. | |



(56)

References Cited

U.S. PATENT DOCUMENTS

D826,152 S 8/2018 Christiansen
 D826,852 S 8/2018 Hung
 10,085,083 B2 9/2018 Rich et al.
 10,097,913 B2 10/2018 McPeak et al.
 D838,480 S * 1/2019 Son D3/294
 10,182,282 B2 1/2019 McPeak et al.
 D841,580 S * 2/2019 Bao D13/108
 10,219,598 B2 3/2019 Taylor et al.
 D873,217 S * 1/2020 Zhang D3/294
 D878,048 S * 3/2020 Wang D3/294
 D878,754 S 3/2020 Lee et al.
 D882,259 S 4/2020 Liu
 D882,262 S 4/2020 Zhang
 D886,454 S * 6/2020 Williamson D3/294
 D886,455 S * 6/2020 Williamson D3/294
 D887,351 S 6/2020 Bonahoom et al.
 D891,434 S 7/2020 Lee et al.
 D891,774 S 8/2020 Yu
 D893,184 S 8/2020 Liu
 D893,185 S 8/2020 Liu
 D897,678 S 10/2020 Koh
 D897,997 S 10/2020 Zhang
 D902,588 S 11/2020 Zhang
 D902,589 S 11/2020 Li
 D904,025 S 12/2020 Ma
 D904,755 S 12/2020 Birger
 D907,009 S 1/2021 Akana et al.
 D911,027 S 2/2021 Liang et al.
 D911,274 S 2/2021 Ding et al.
 D911,944 S 3/2021 Gao
 D912,622 S 3/2021 Zhou
 D914,591 S 3/2021 Ganapathy et al.
 D917,389 S 4/2021 Ye

D917,427 S 4/2021 Zheng
 D918,138 S 5/2021 Ma
 D918,579 S 5/2021 Youn
 D922,946 S 6/2021 Chen
 D927,465 S 8/2021 Wang
 D930,361 S 9/2021 Jacobs
 D931,210 S 9/2021 Lee
 D944,524 S 3/2022 Laffon et al.
 2008/0090622 A1 4/2008 Kim et al.
 2011/0186579 A1 8/2011 Bailey et al.
 2014/0376763 A1 12/2014 Stevinson
 2015/0245127 A1 8/2015 Shaffer
 2016/0173160 A1 6/2016 Gronewoller et al.
 2017/0040833 A1 2/2017 Wilhelmsen et al.
 2017/0064429 A1 3/2017 Knothe et al.
 2017/0094381 A1 3/2017 Panecki et al.
 2017/0094394 A1 3/2017 McPeak et al.
 2017/0215293 A1 7/2017 Merenda
 2021/0058687 A1 2/2021 Liu

OTHER PUBLICATIONS

U.S. Provisional Application filed Aug. 29, 2015, by Hirsch et al.,
 Entitled "Smart Case Power Utilization Control System and Method",
 U.S. Appl. No. 62/211,768.
 Skullcandy Indy Evo In-Ear Headphones True Wireless via Bluetooth,
 first available Feb. 27, 2020, amazon.co.uk [online], [site visited
 Mar. 19, 2021], Available at internet URL: <https://www.amazon.co.uk/Skullcandy-Headphones-Wireless-Bluetooth-Resistant-Chill-Grey/dp/B084SBWWQ5> (Year: 2020).
 U.S. Provisional Application filed Aug. 29, 2015, by Hirsch et al.,
 titled "Smart Case Power Utilization Control System and Method",
 U.S. Appl. No. 62/211,768.

* cited by examiner

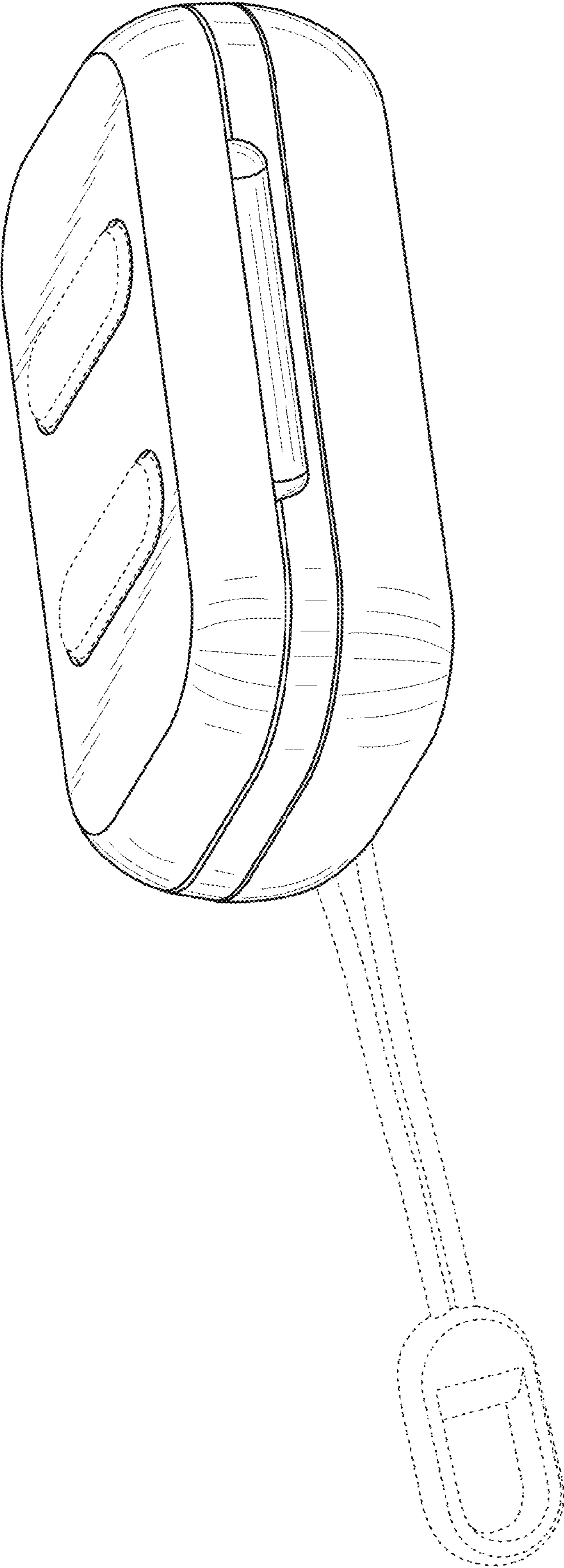


FIG. 1

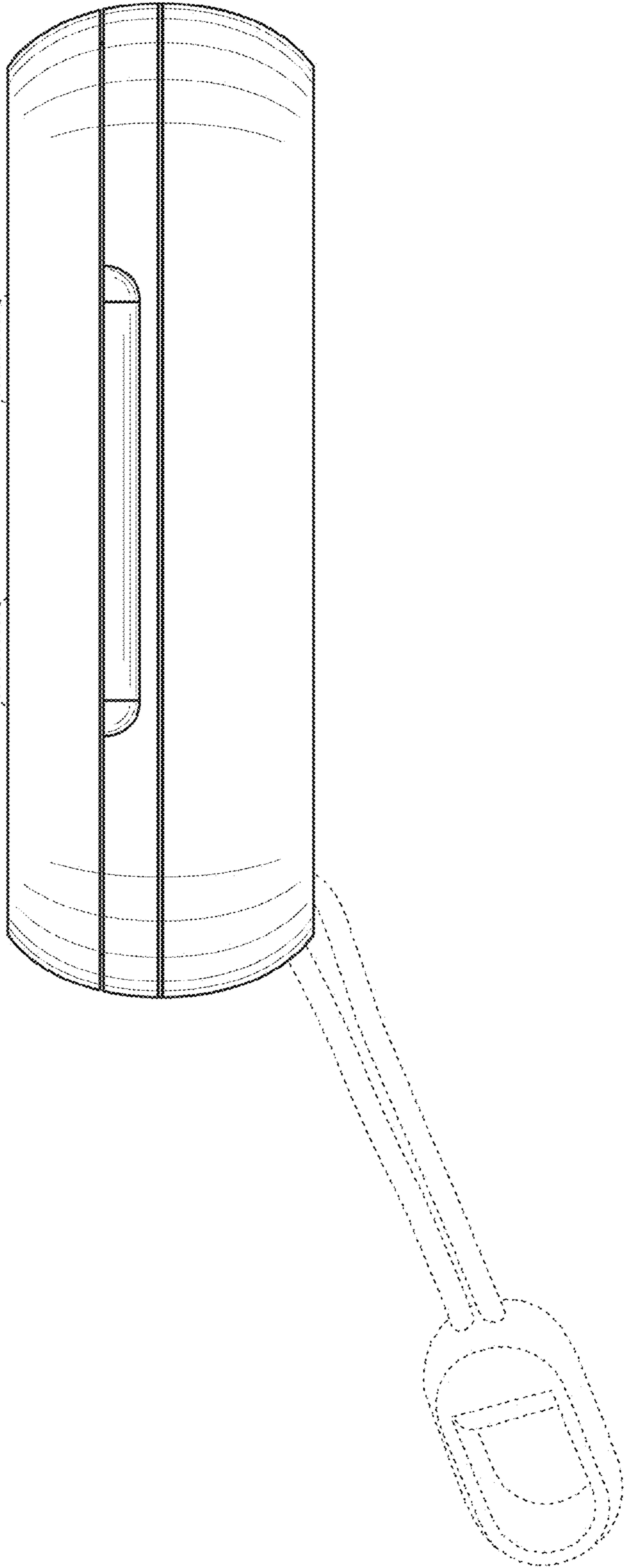


FIG. 2

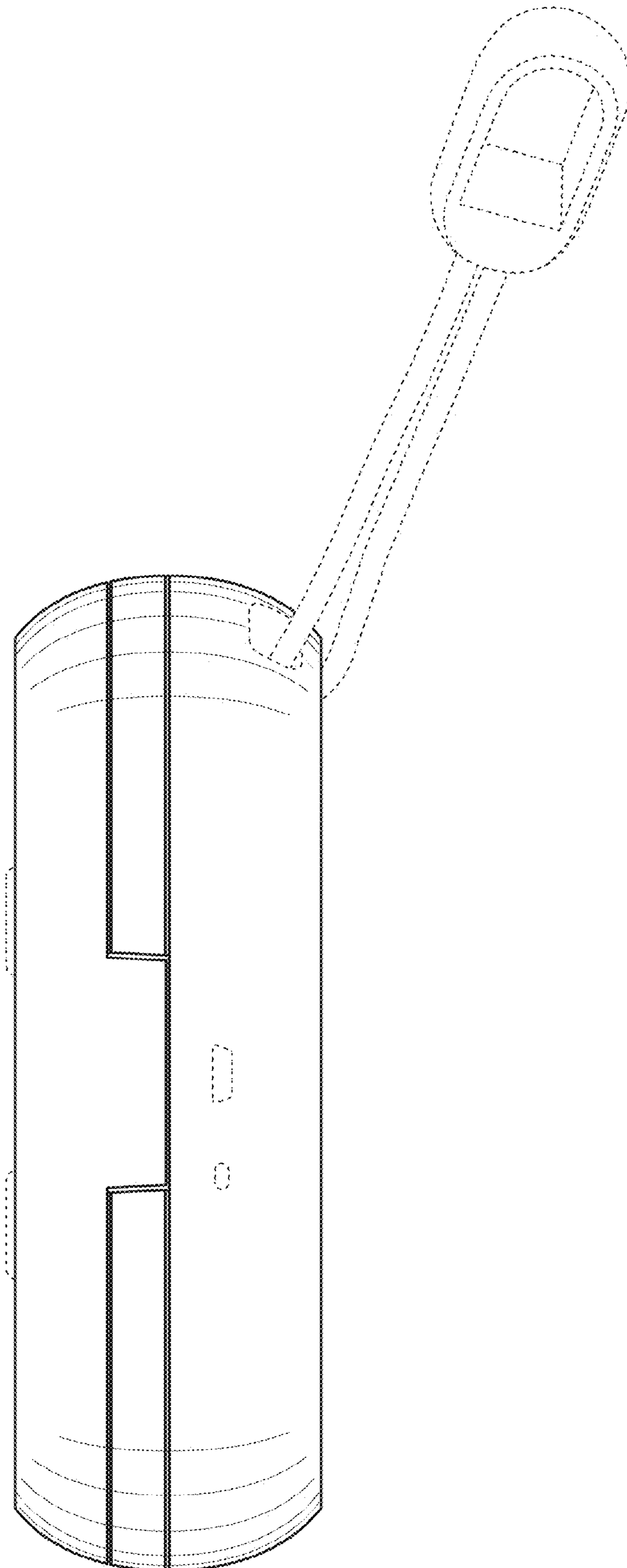


FIG. 3

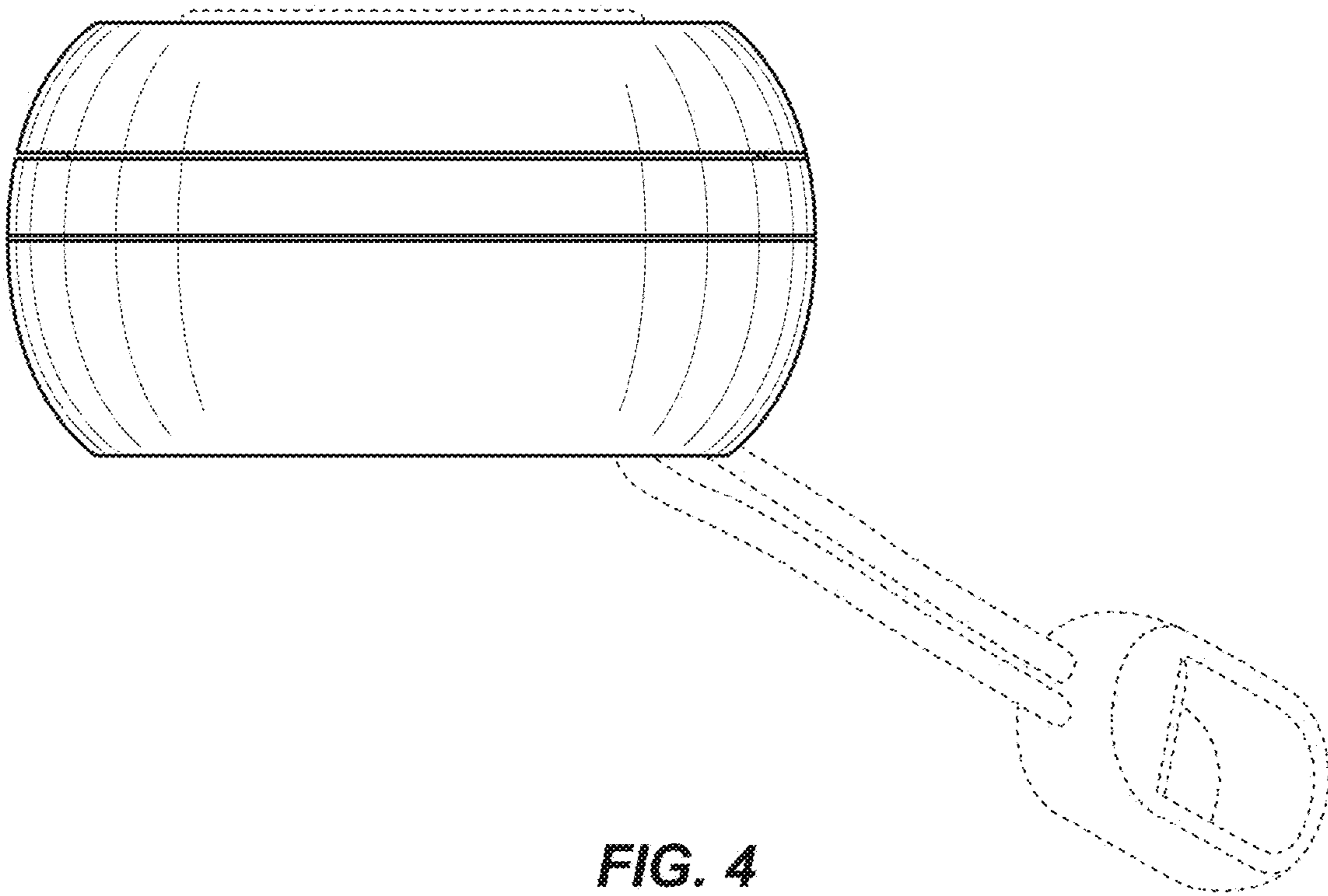


FIG. 4

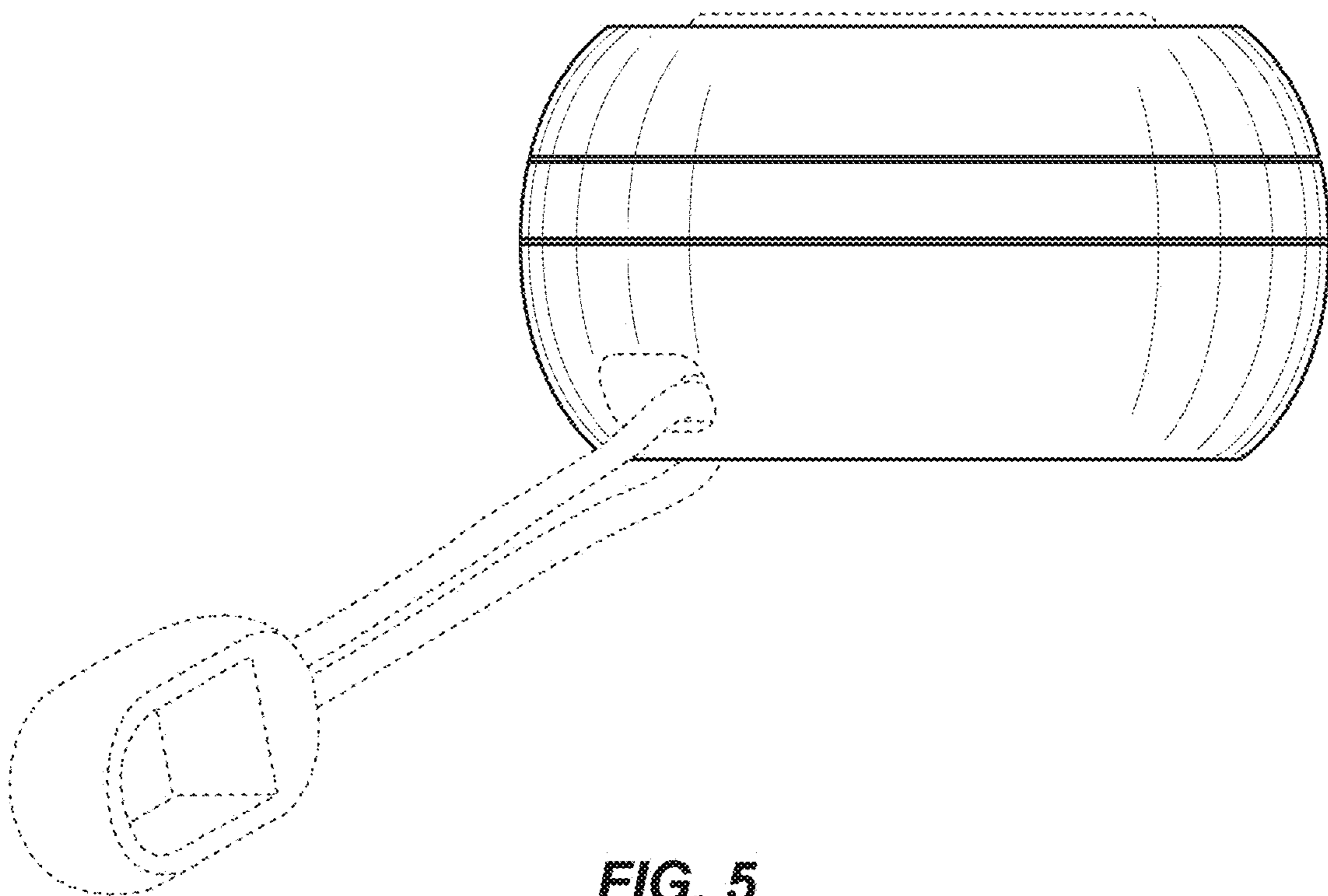


FIG. 5

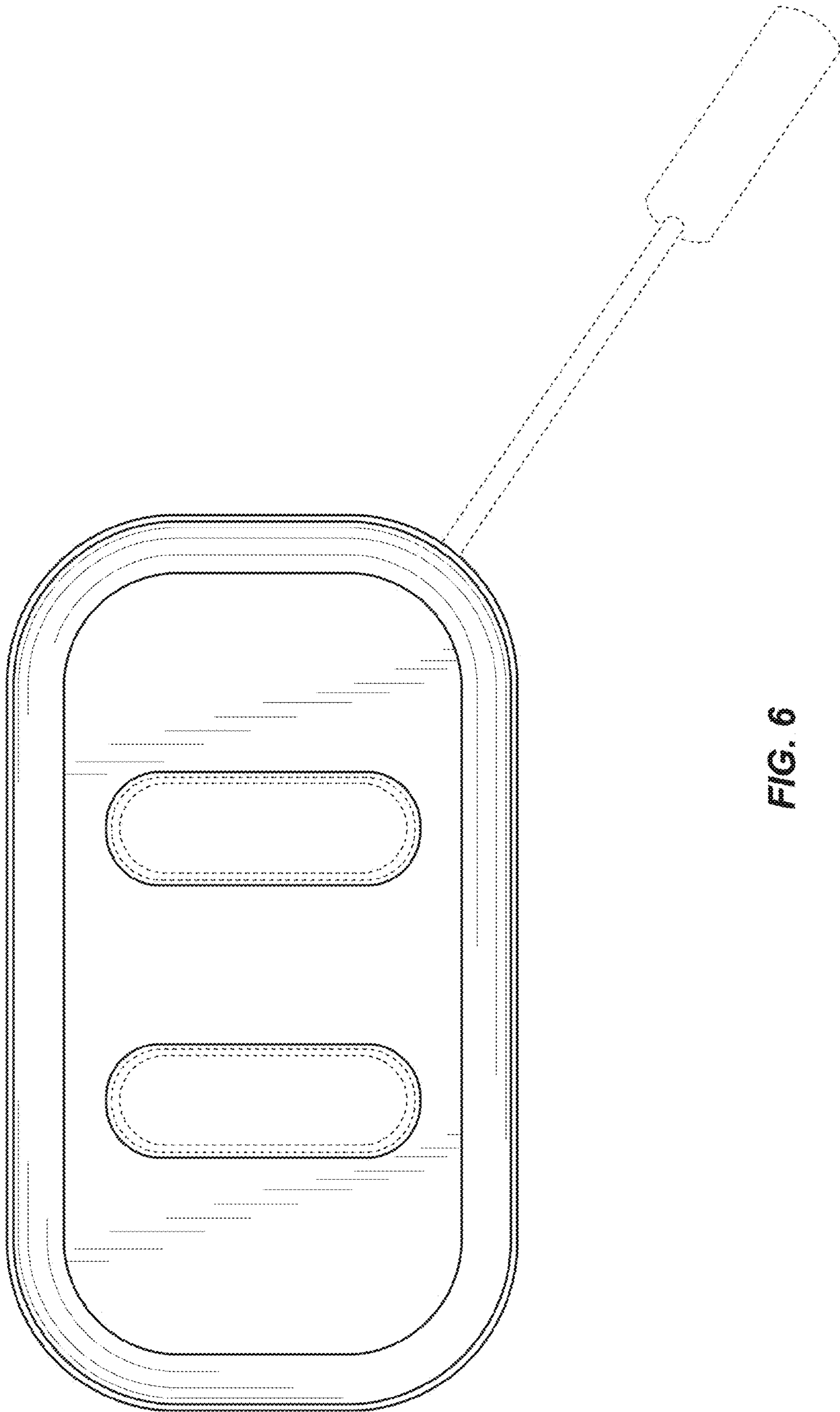


FIG. 6

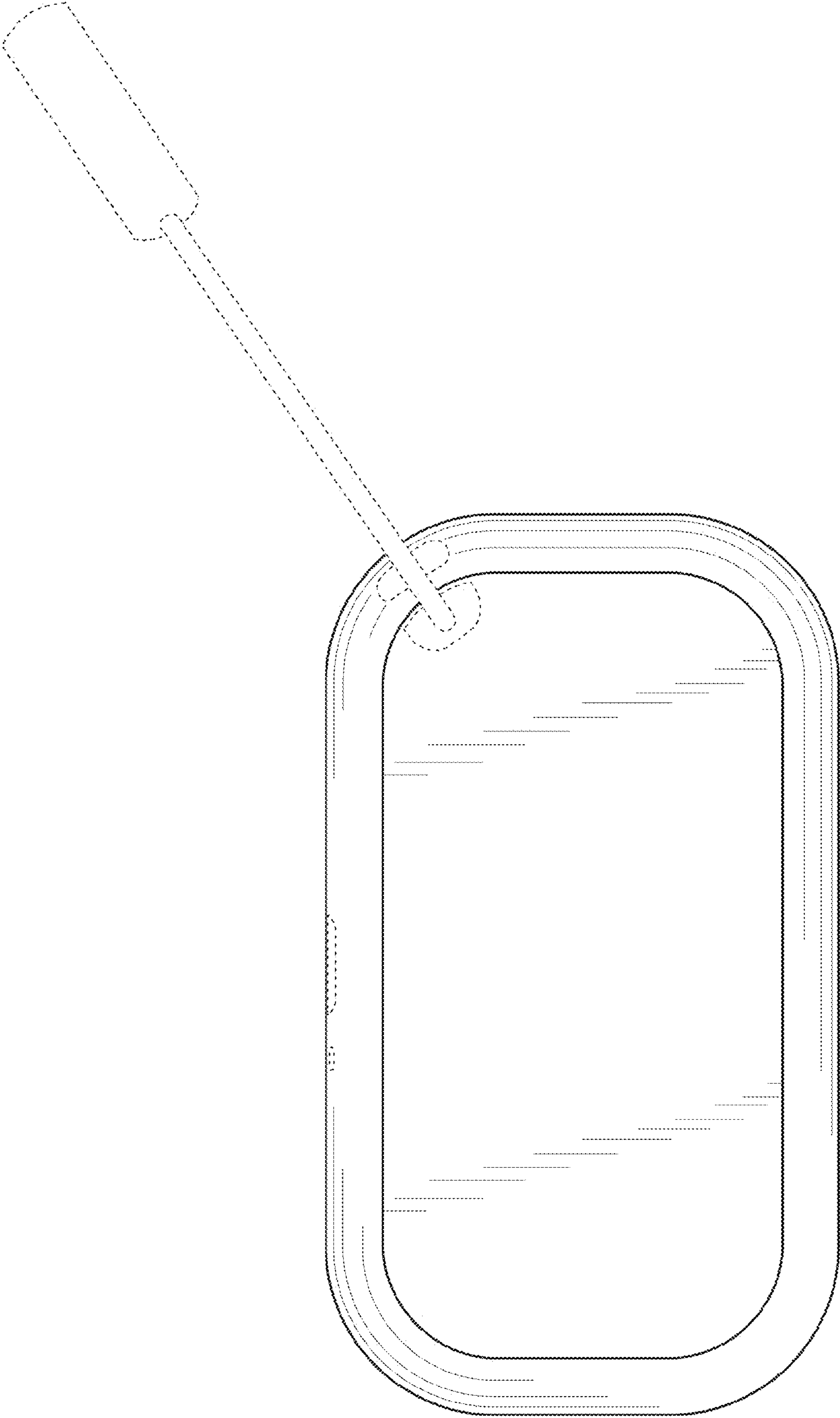


FIG. 7