



US00D958529S

(12) **United States Design Patent**  
**Liu et al.**

(10) **Patent No.:** **US D958,529 S**  
(45) **Date of Patent:** **\*\* Jul. 26, 2022**

- (54) **FIREPROOF BAG**
- (71) Applicant: **Shenzhen Yihuaxing Technology Co., Ltd.**, Shenzhen (CN)
- (72) Inventors: **Yuming Liu**, Lianyuan (CN); **Xuyang He**, Lianyuan (CN)
- (\*\*) Term: **15 Years**
- (21) Appl. No.: **29/787,595**
- (22) Filed: **Jun. 7, 2021**
- (51) **LOC (13) Cl.** ..... **03-01**
- (52) **U.S. Cl.**  
USPC ..... **D3/287; D3/289**
- (58) **Field of Classification Search**  
USPC ..... D3/226, 273, 276, 285, 286, 289, 301,  
D3/217, 290, 231, 204, 299, 218, 232,  
D3/246, 287  
CPC ..... A45C 2013/026; A45C 11/00; A45C  
2003/008; A45C 3/02; A45F 3/04  
See application file for complete search history.

- D911,703 S \* 3/2021 Yang ..... D3/262
- D917,167 S \* 4/2021 Fenech ..... D3/290
- D939,210 S \* 12/2021 Glines ..... D3/283

**OTHER PUBLICATIONS**

Amazon, "FINPAC Fireproof Document Bag . . .", First on sale Oct. 23, 2020. (<https://www.amazon.com/FINPAC-Fireproof-Waterproof-Fiberglass-Reflective/dp/B08LPB5V3H/>) (Year: 2020).\*

\* cited by examiner

*Primary Examiner* — April Rivas

(57) **CLAIM**

The ornamental design for a fireproof bag, as shown and described.

**DESCRIPTION**

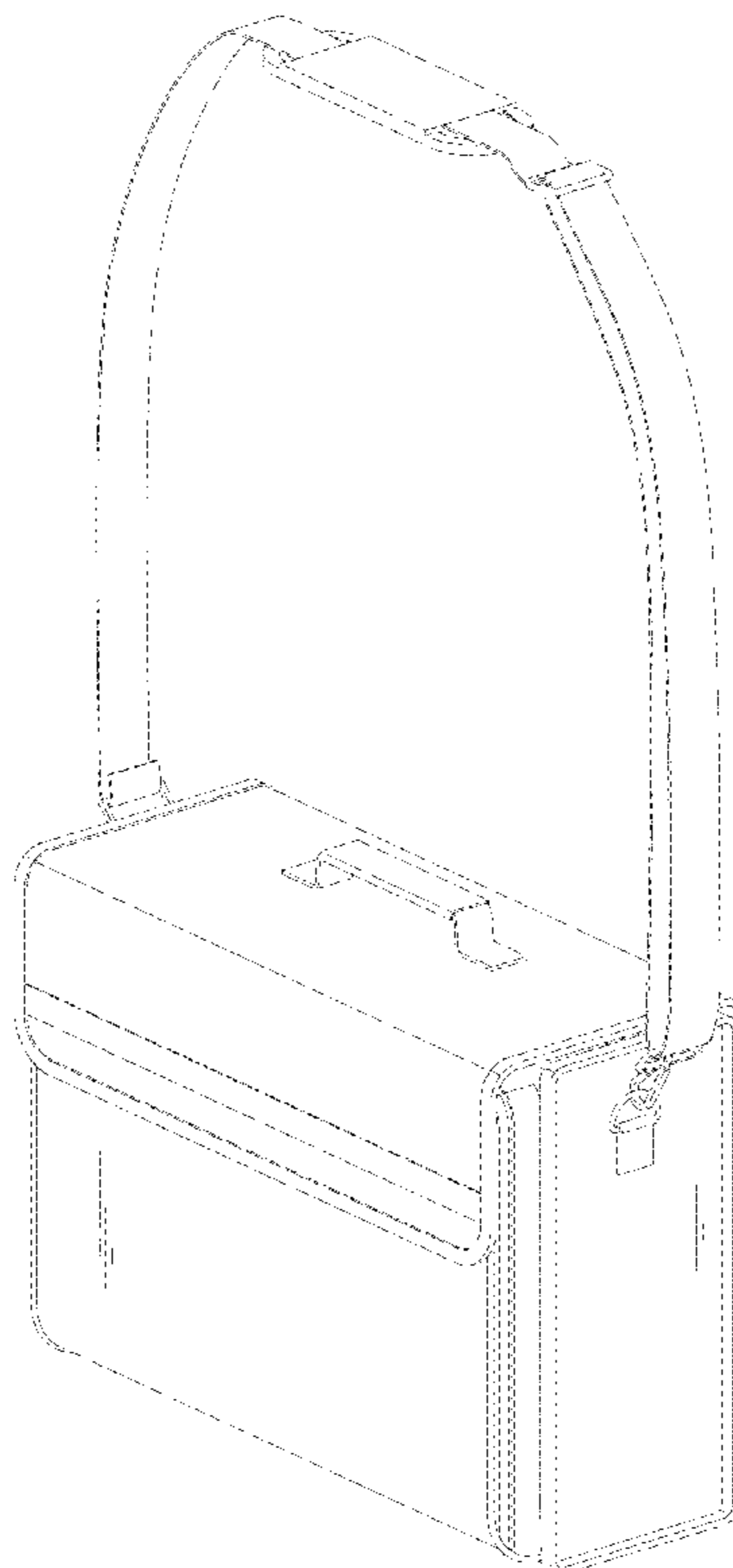
FIG. 1 is a perspective view of a fireproof bag showing our new design;  
 FIG. 2 is a front view thereof;  
 FIG. 3 is a back view thereof;  
 FIG. 4 is a left side view thereof;  
 FIG. 5 is a right side view thereof;  
 FIG. 6 is a top view thereof;  
 FIG. 7 is bottom view thereof;  
 FIG. 8 is a perspective view of the fireproof bag, with the front in an open configuration, thereof; and,  
 FIG. 9 is a perspective view of the fireproof bag, in a fully closed configuration, thereof.  
 The shoulder strap is not shown in FIGS. 1-7 for convenience of illustration only.

**1 Claim, 9 Drawing Sheets**

(56) **References Cited**

**U.S. PATENT DOCUMENTS**

- D340,356 S \* 10/1993 Hughes ..... D3/283
- D464,197 S \* 10/2002 Kegels ..... D3/276
- D468,101 S \* 1/2003 Hassett ..... D3/283
- D672,959 S \* 12/2012 Denzinger ..... D3/289
- D865,363 S 11/2019 Liu
- D869,846 S \* 12/2019 Liu ..... D3/301
- D873,565 S \* 1/2020 Long ..... D3/290
- D899,090 S 10/2020 Zhang



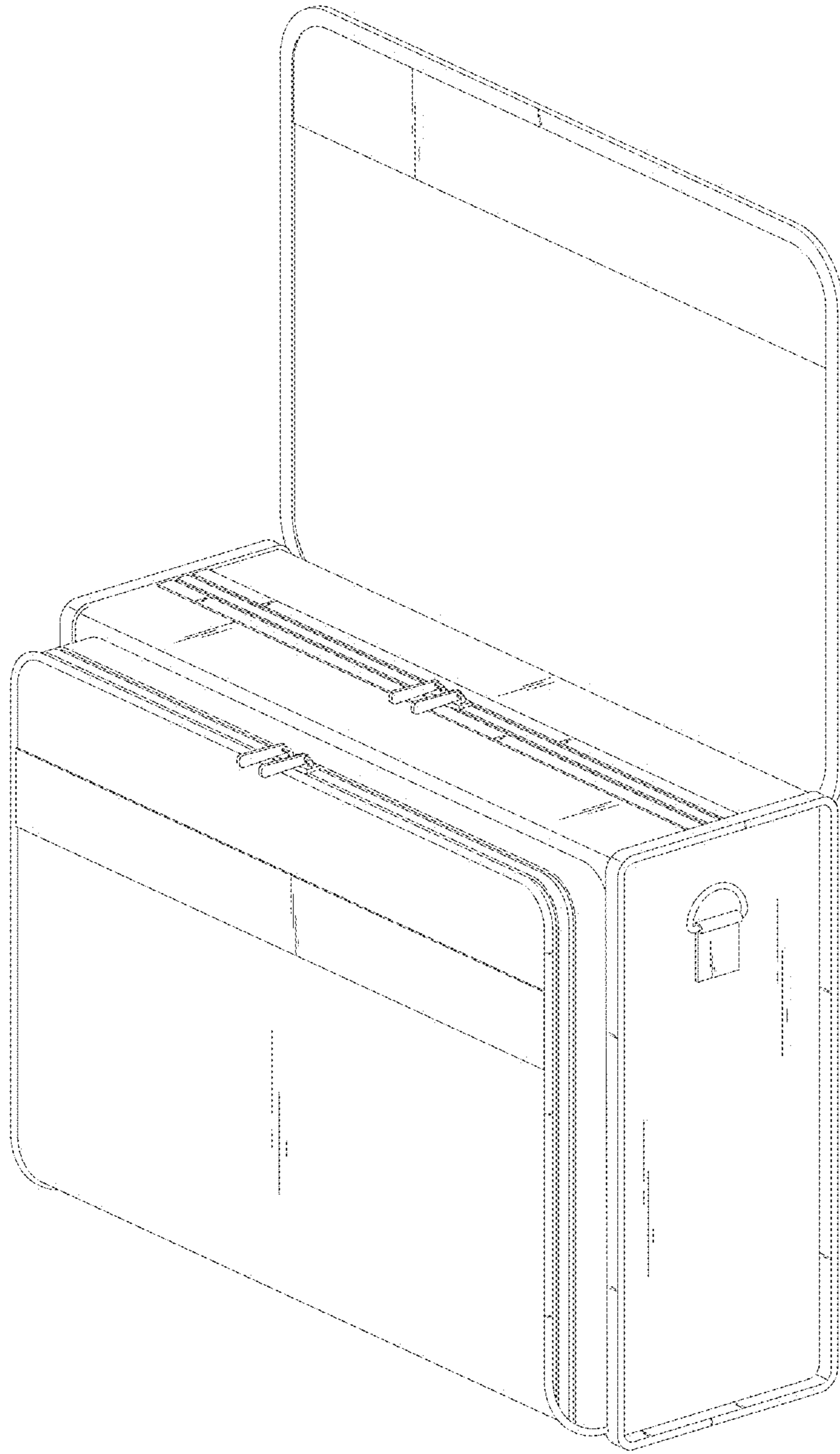


FIG.1

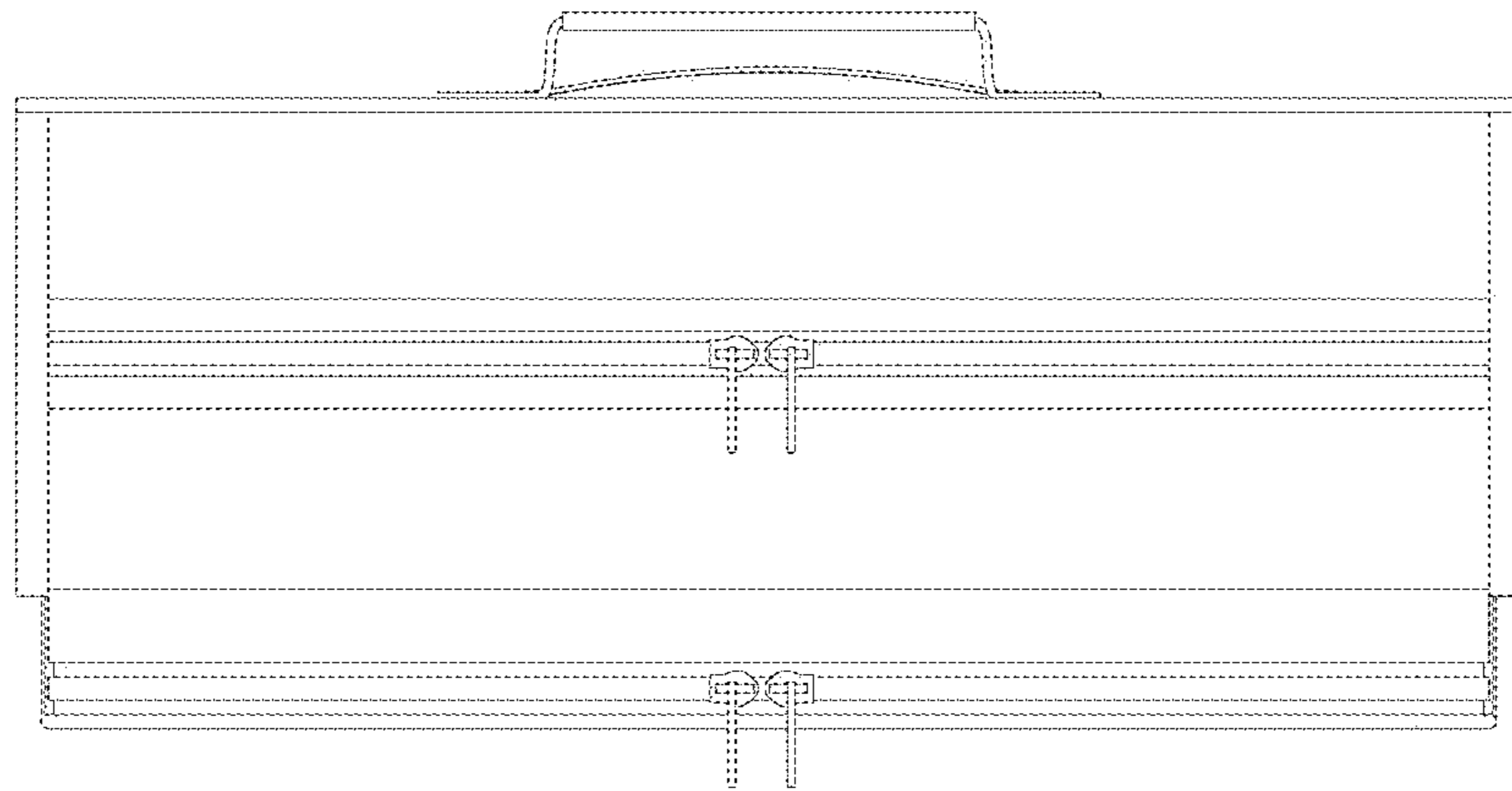


FIG. 2

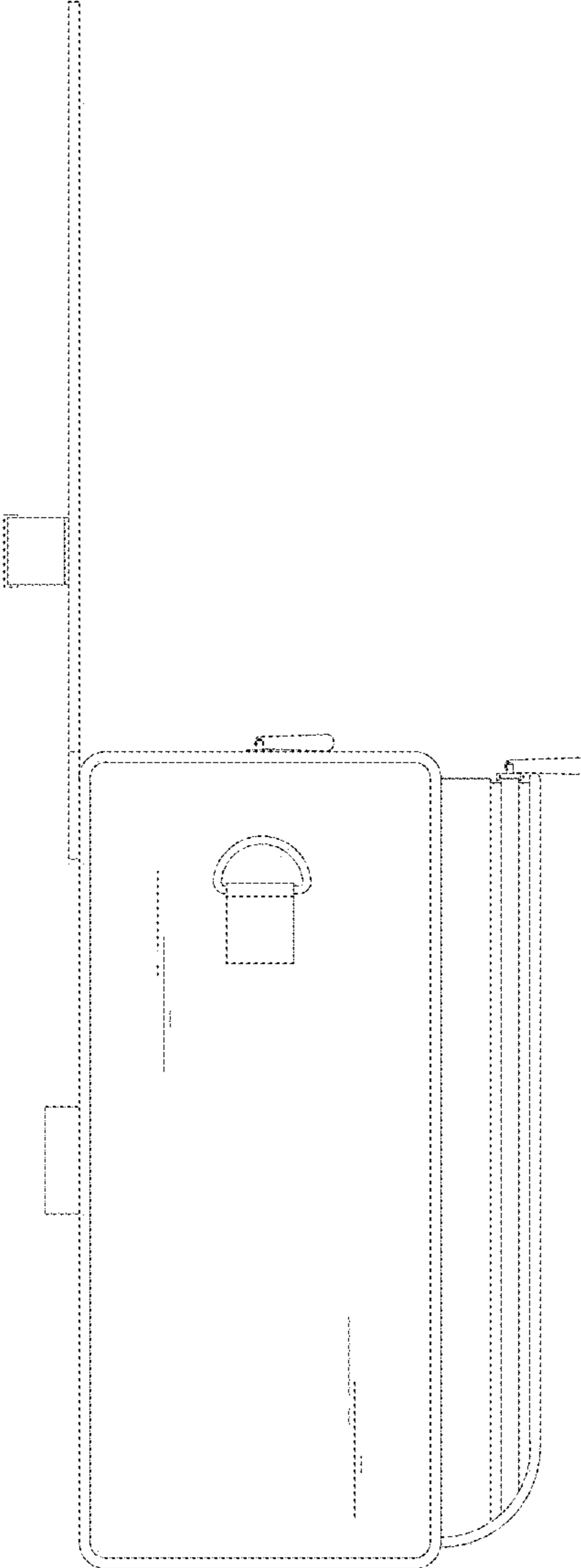


FIG. 3

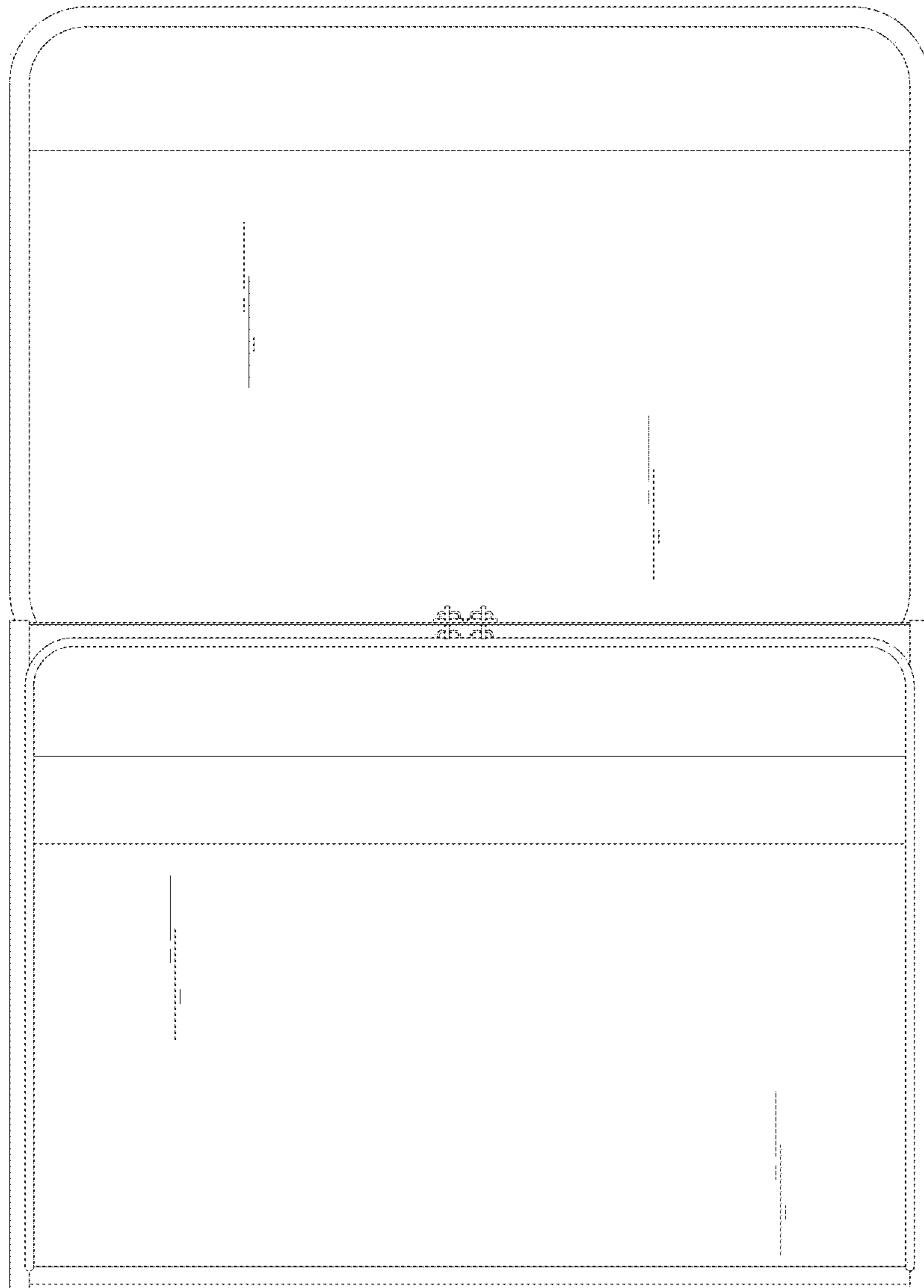


FIG. 4

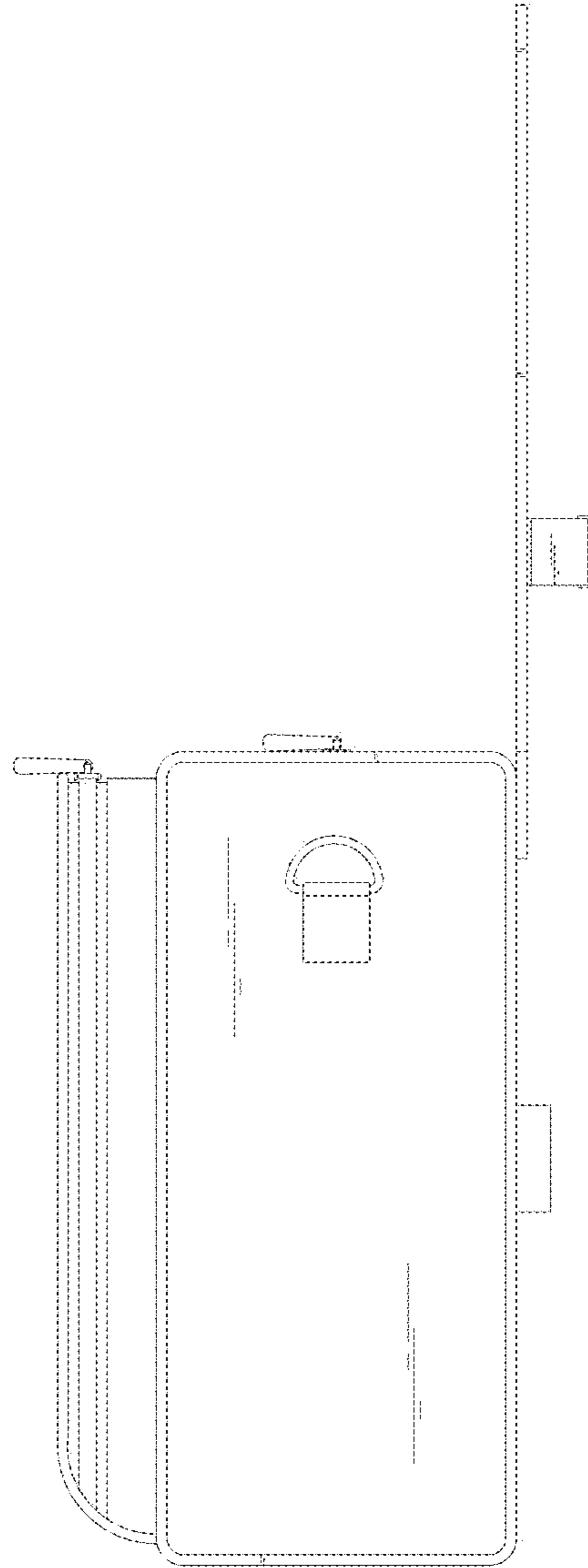


FIG. 5

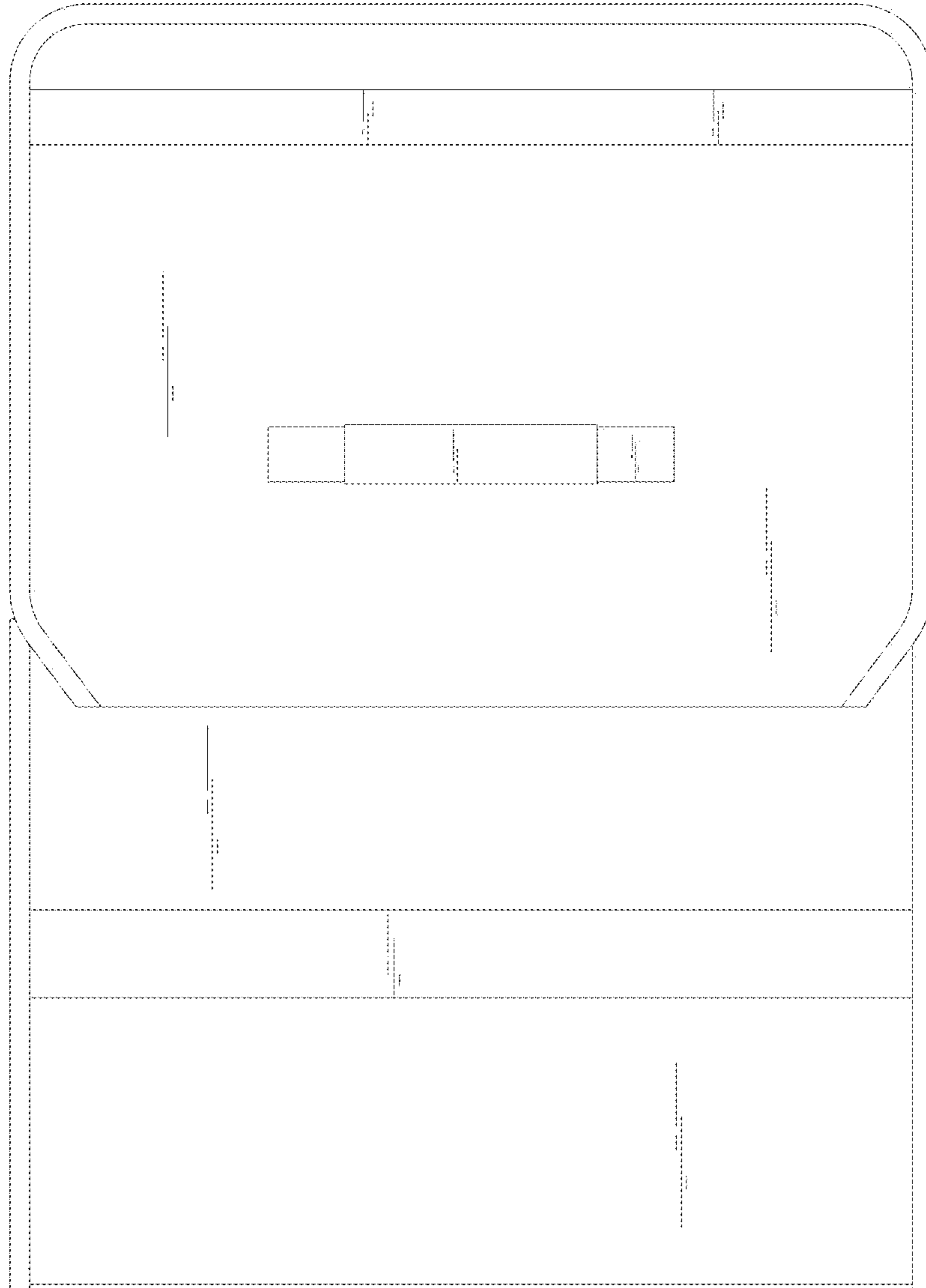


FIG. 6

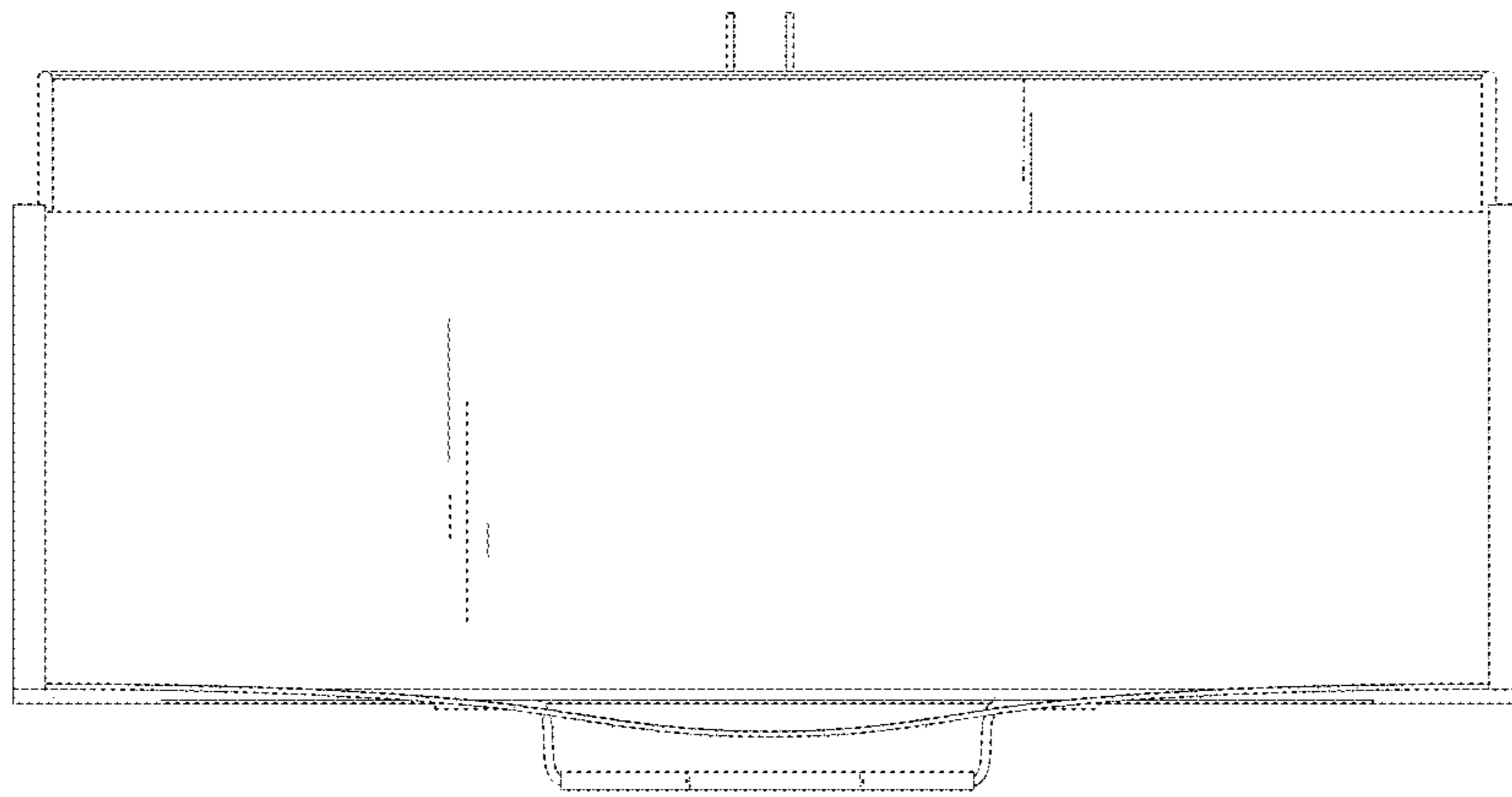


FIG. 7



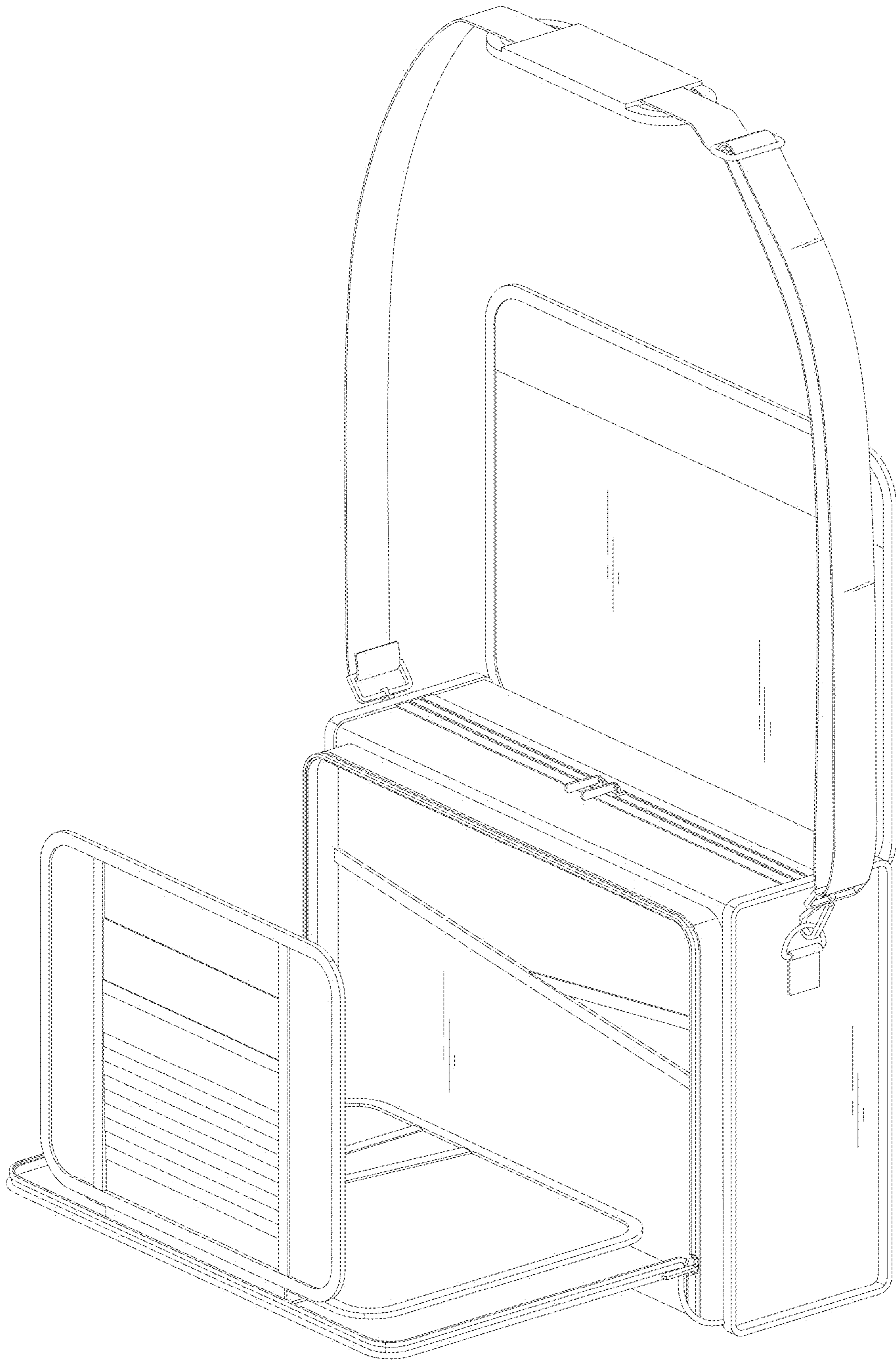


FIG. 8

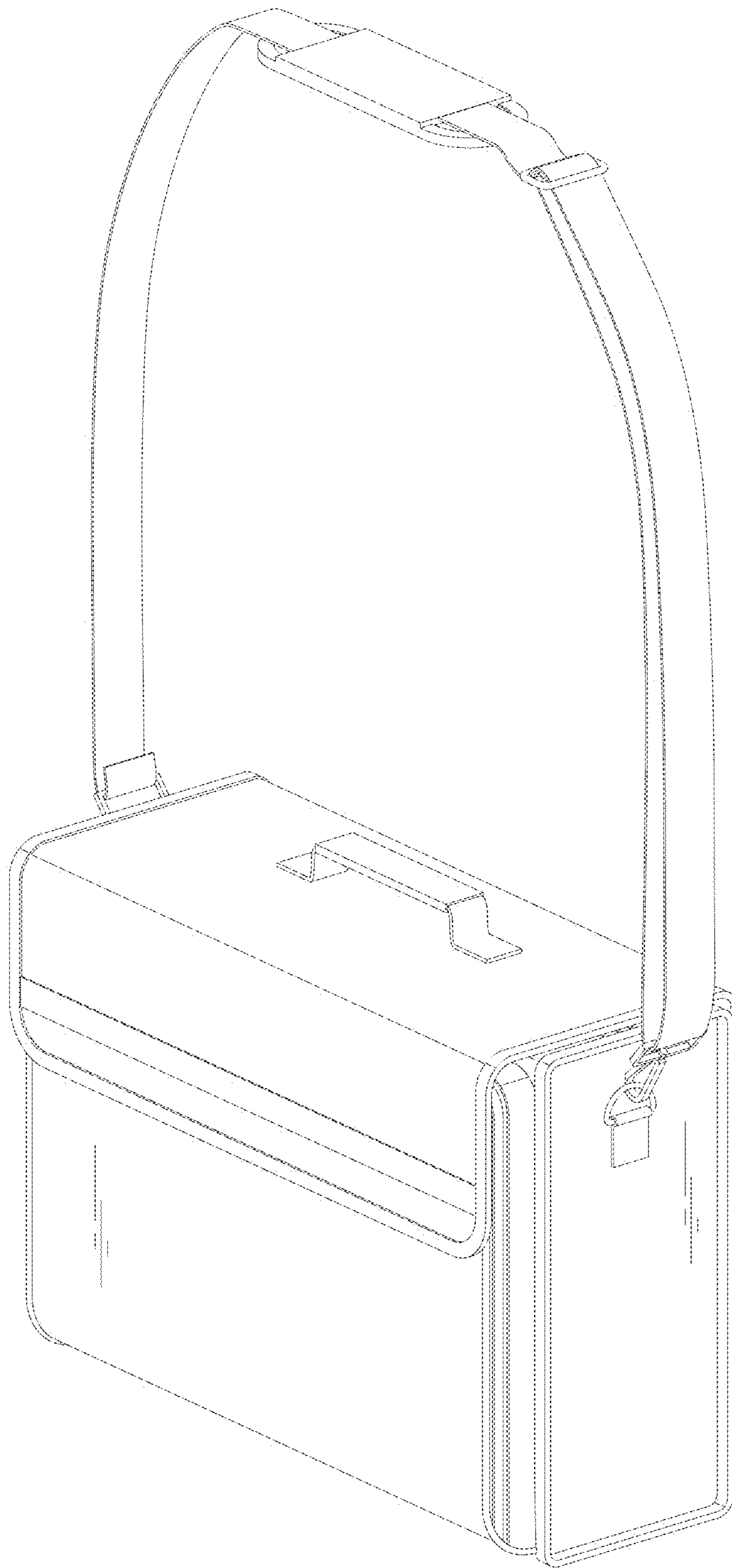


FIG. 9