



US00D958528S

(12) **United States Design Patent** (10) **Patent No.:** **US D958,528 S**
Chung (45) **Date of Patent:** **** Jul. 26, 2022**

(54) **EARPHONE CASE**
(71) Applicant: **ISPEAKER CO., LTD.**, Goyang-Si (KR)
(72) Inventor: **Young Suk Chung**, Goyang-Si (KR)

D887,140 S * 6/2020 Hyun D3/302
D888,663 S * 6/2020 Weng D13/108
D933,351 S * 10/2021 Armstrong D3/201
D934,869 S * 11/2021 Wright D14/440
D935,180 S * 11/2021 Zhang D3/300
2006/0274493 A1* 12/2006 Richardson H05K 5/068
361/679.4

(73) Assignee: **ISPEAKER CO., LTD.**

FOREIGN PATENT DOCUMENTS

(**) Term: **15 Years**

CN 304943147 * 12/2018
CN 305275359 * 7/2019
KR 301046950.0000 * 2/2020

(21) Appl. No.: **29/736,451**

OTHER PUBLICATIONS

(22) Filed: **May 29, 2020**

Amazon.com, Site visited Nov. 16, 2021, SUPCASE Unicorn Beetle Pro Series Case, First available Sep. 23, 2019, <https://www.amazon.com/dp/B0831FS6FZ> (Year: 2019).*

(30) **Foreign Application Priority Data**

Mar. 6, 2020 (KR) 30-2020-0010252

(Continued)

(51) **LOC (13) Cl.** **03-01**

(52) **U.S. Cl.**
USPC **D3/273**; D3/201

(58) **Field of Classification Search**
USPC D3/272, 273, 274, 201, 205, 206, 218,
D3/269, 282, 294; D6/315; D7/391,
D7/601, 641; D13/107; D14/201, 223;
D9/420, 423, 426, 428, 430, 431, 432,
D9/436, 499, 558, 717

CPC H04R 1/1025; H02J 7/0044; Y02E 60/12;
Y01R 13/6675; B65D 85/182; A47F 8/02

See application file for complete search history.

Primary Examiner — Brett Miller
Assistant Examiner — Jessica M Gebhart
(74) *Attorney, Agent, or Firm* — Renaissance IP Law Group LLP

(57) **CLAIM**

The ornamental design for an earphone case, as shown and described.

DESCRIPTION

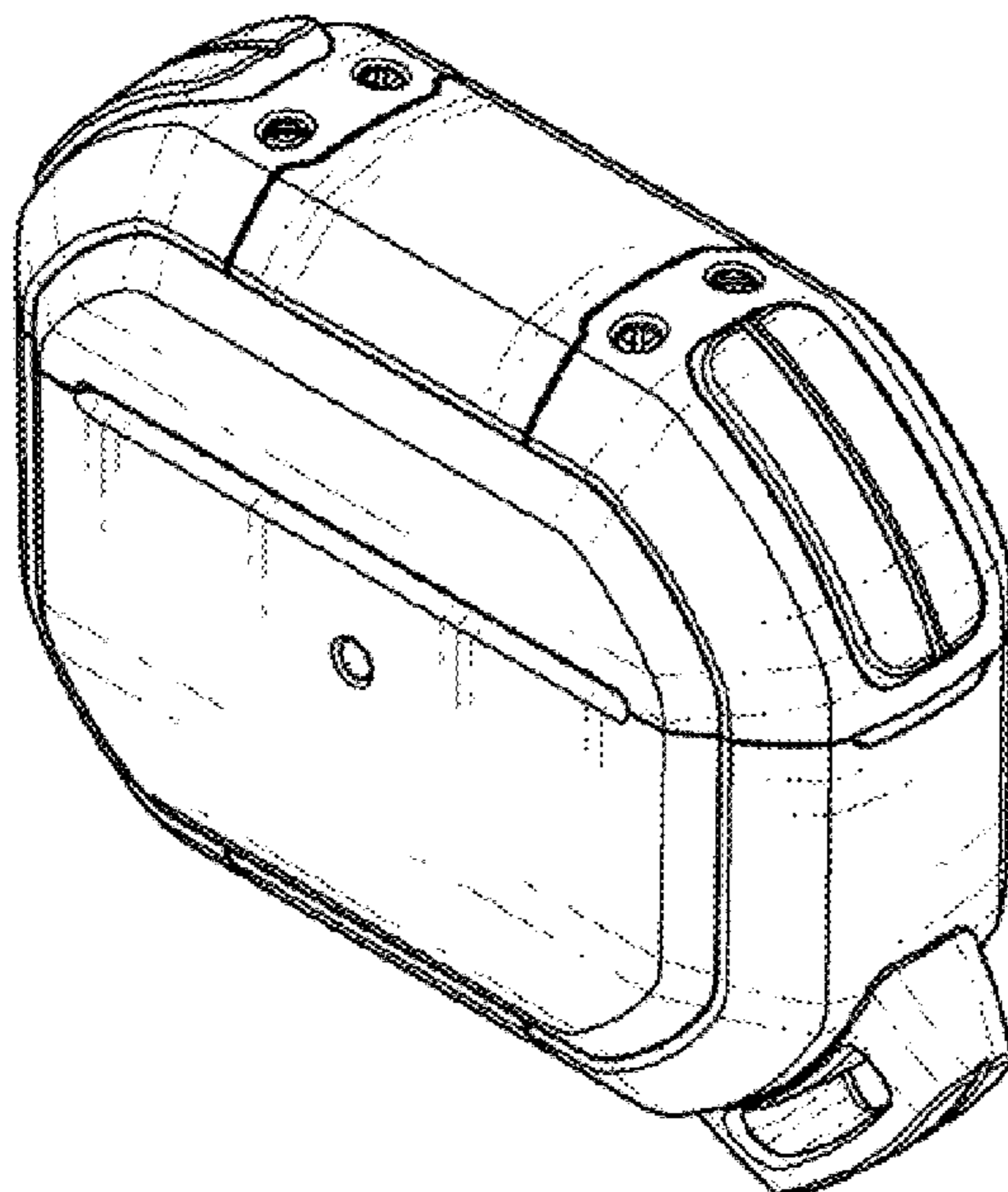
FIG. 1 is a perspective view showing our new design for an earphone case;
FIG. 2 is a front view thereof;
FIG. 3 is a rear view thereof;
FIG. 4 is a left side view thereof;
FIG. 5 is a right side view thereof;
FIG. 6 is a top plan view thereof;
FIG. 7 is a bottom plan view thereof; and,
FIG. 8 is an exploded view thereof.

(56) **References Cited**

U.S. PATENT DOCUMENTS

D563,672 S * 3/2008 Cornwell D3/294
D821,306 S * 6/2018 Liu D13/107
D866,967 S * 11/2019 Meng D3/294
D869,147 S * 12/2019 Lian D3/201
D874,396 S * 2/2020 Rao D13/107
D886,445 S * 6/2020 Hyun D3/201

1 Claim, 7 Drawing Sheets



(56)

References Cited

OTHER PUBLICATIONS

Amazon.com, Site visited Nov. 17, 2021, Yedano AirPods Case Cover, First available Sep. 13, 2019, <https://www.amazon.com/Accessories-Silicone-Keychain-Magnetic-Shockproof/dp/B07XY5VDWG> (Year: 2019).*

Amazon.com, Site visited Nov. 17, 2021, GMYLE AirPods Case Armor, First available Sep. 15, 2019, <https://www.amazon.com/GMYLE-Accessories-Protective-Silicone-Keychain/dp/B07XXSMLL5> (Year: 2019).*

Youtube.com, Site visited Nov. 17, 2021, "Spigen Tough Armor Apple AirPods Review," published by MobileReviewsEh on Mar. 23, 2020, still taken at the 1:35 mark, <https://www.youtube.com/watch?v=60o9uaGUvTw> (Year: 2020).*

* cited by examiner

FIG. 1

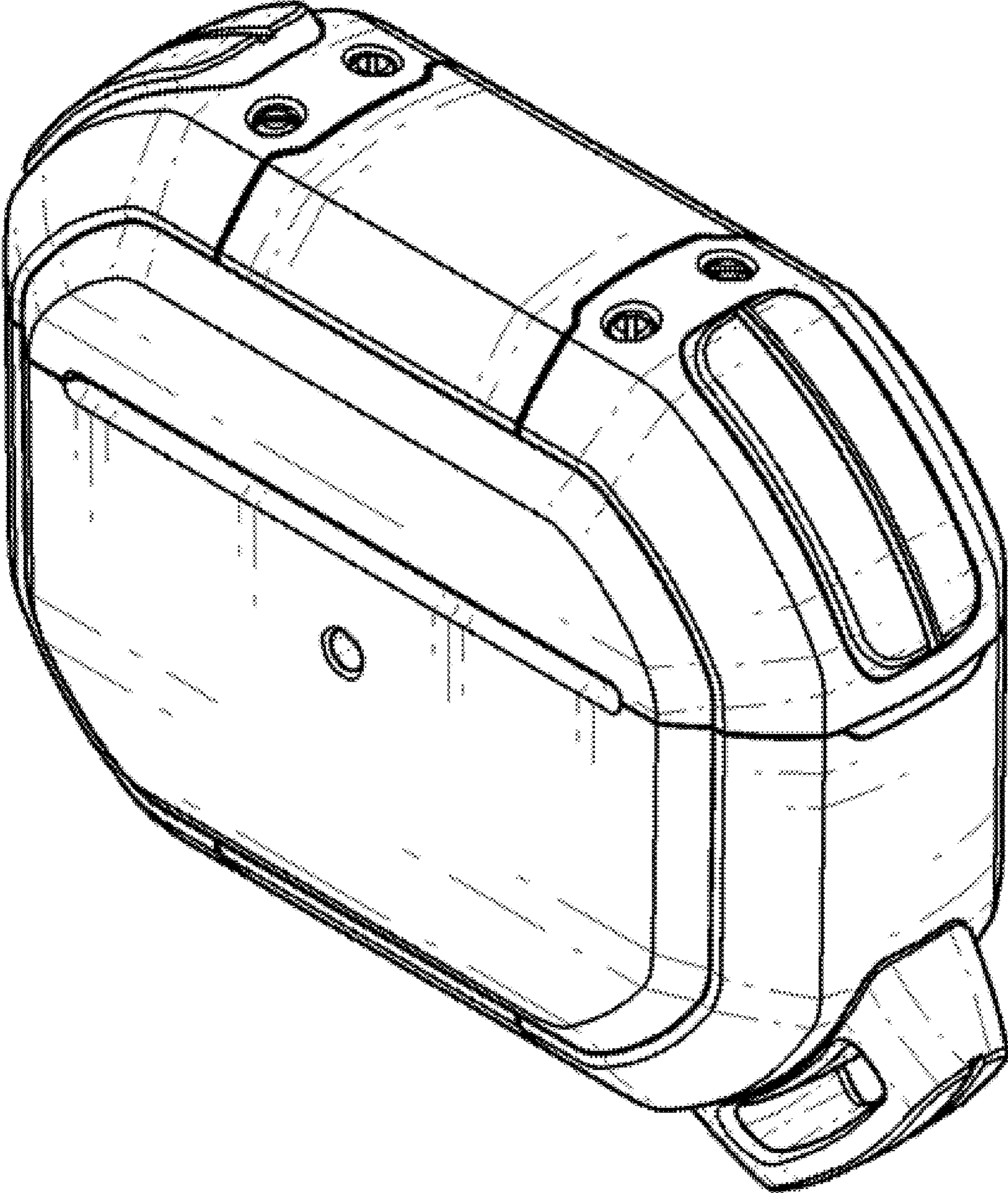


FIG. 2

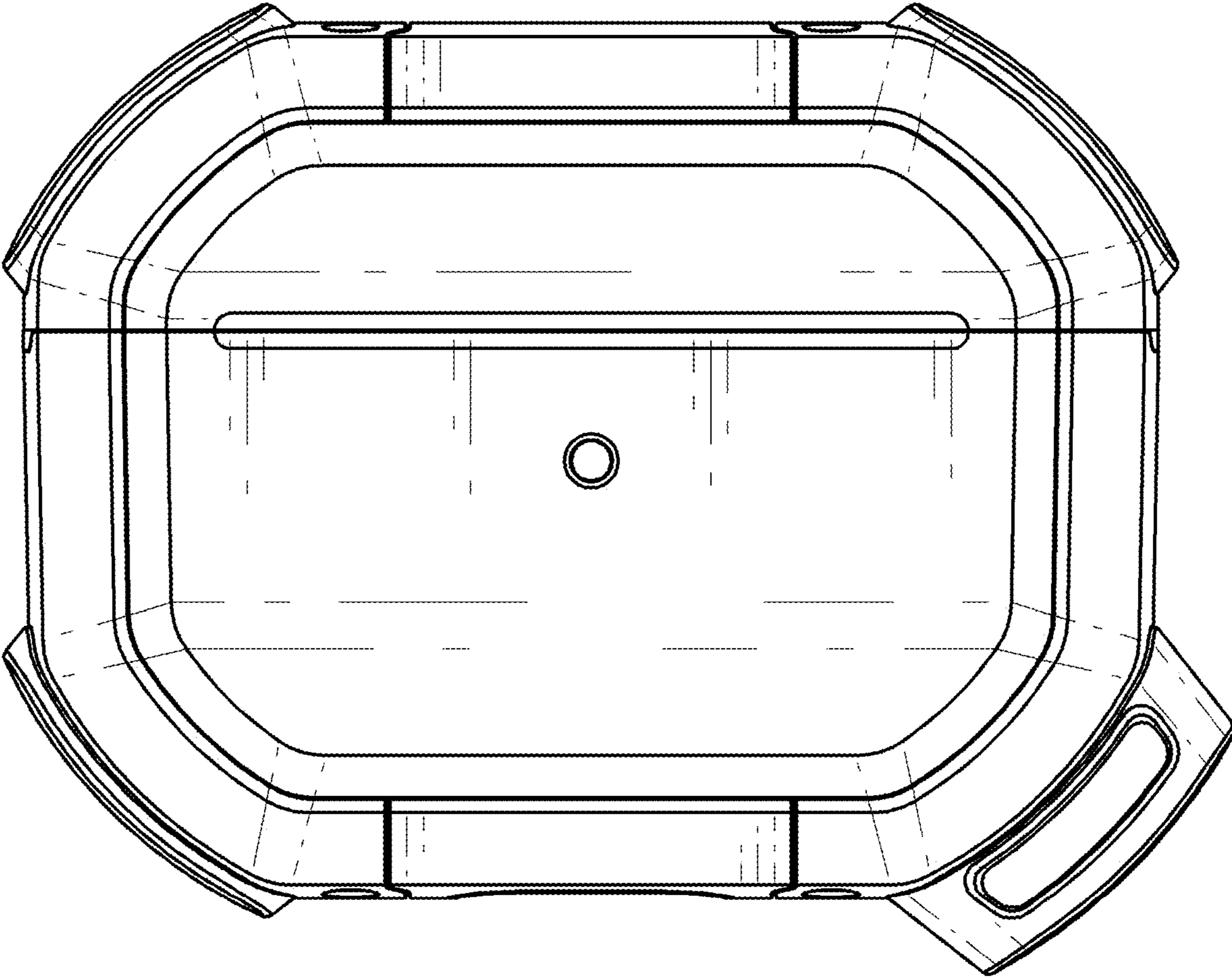


FIG. 3

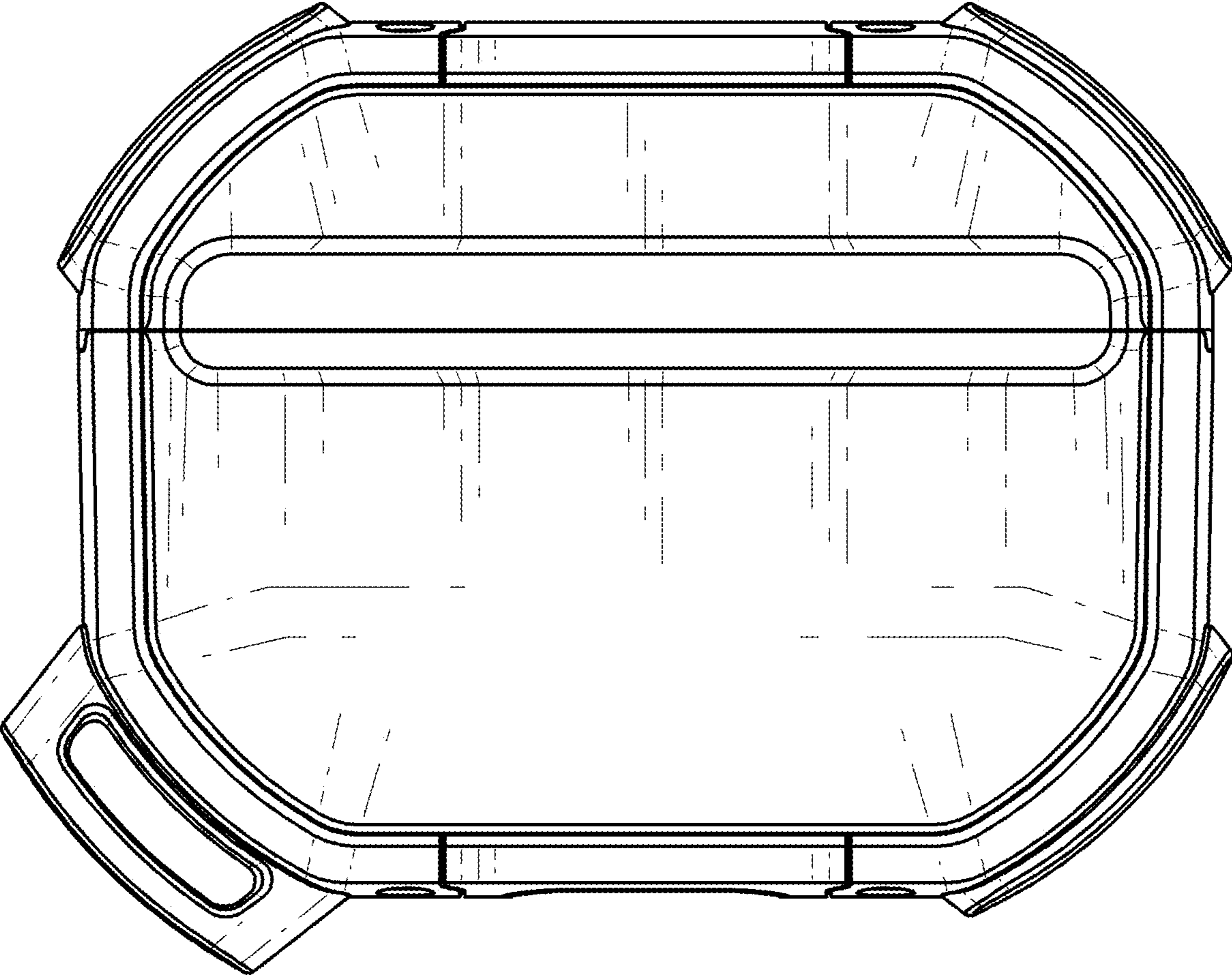


FIG. 4

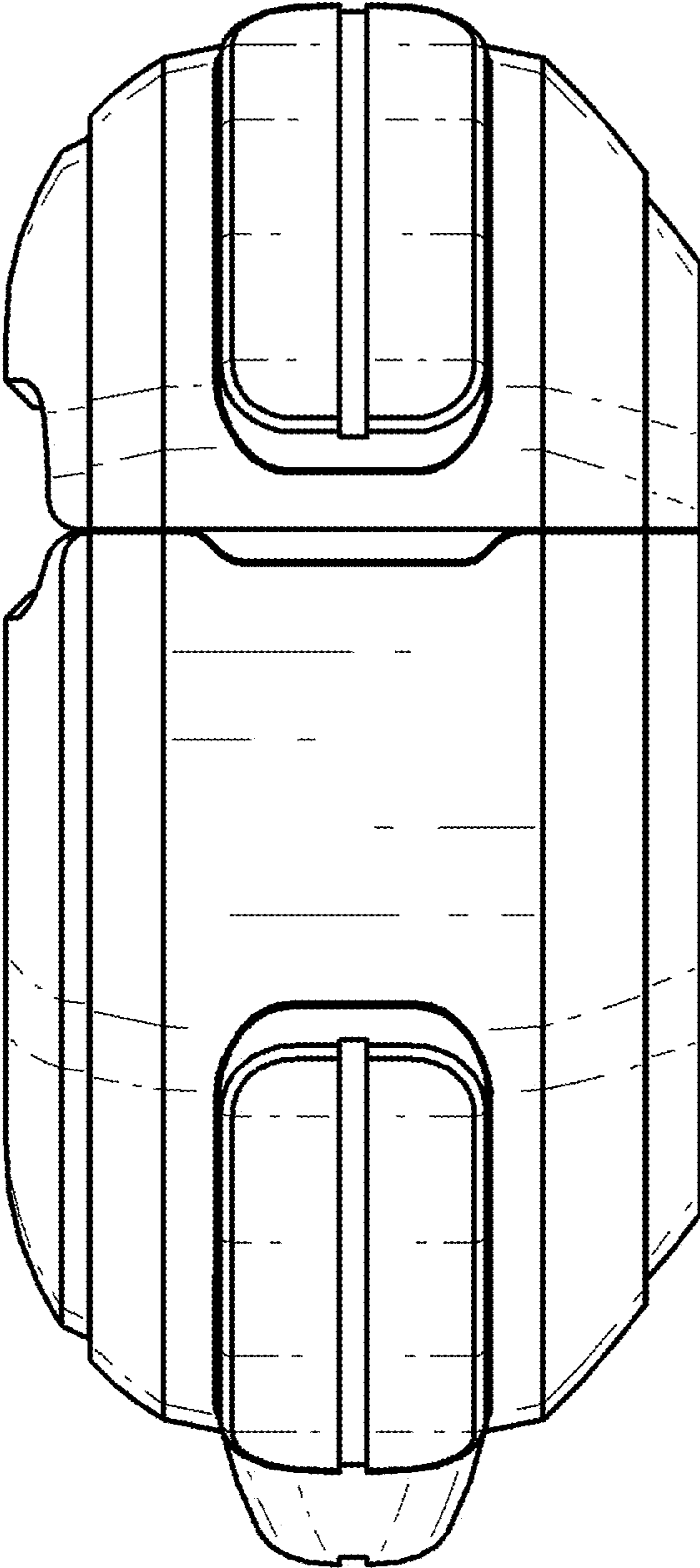


FIG. 5

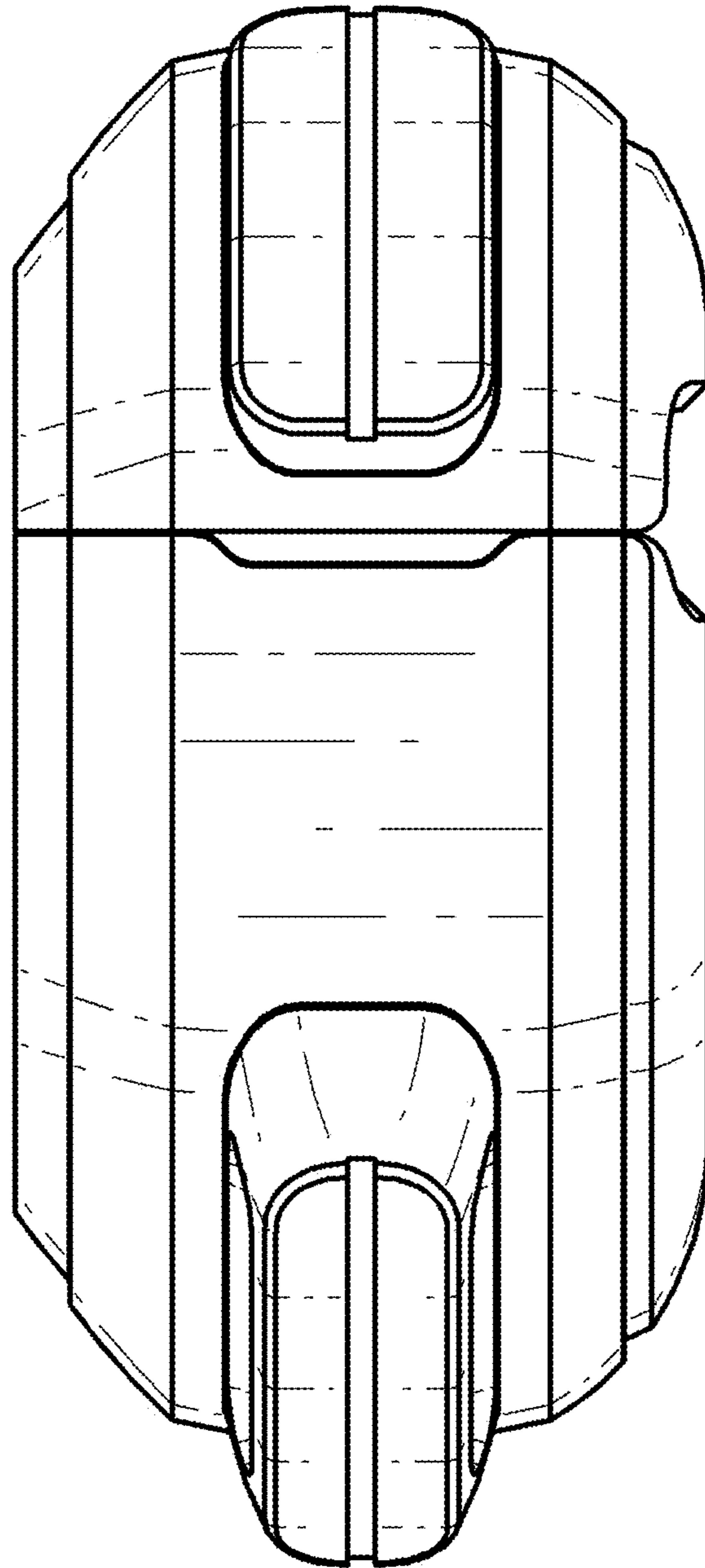


FIG. 6

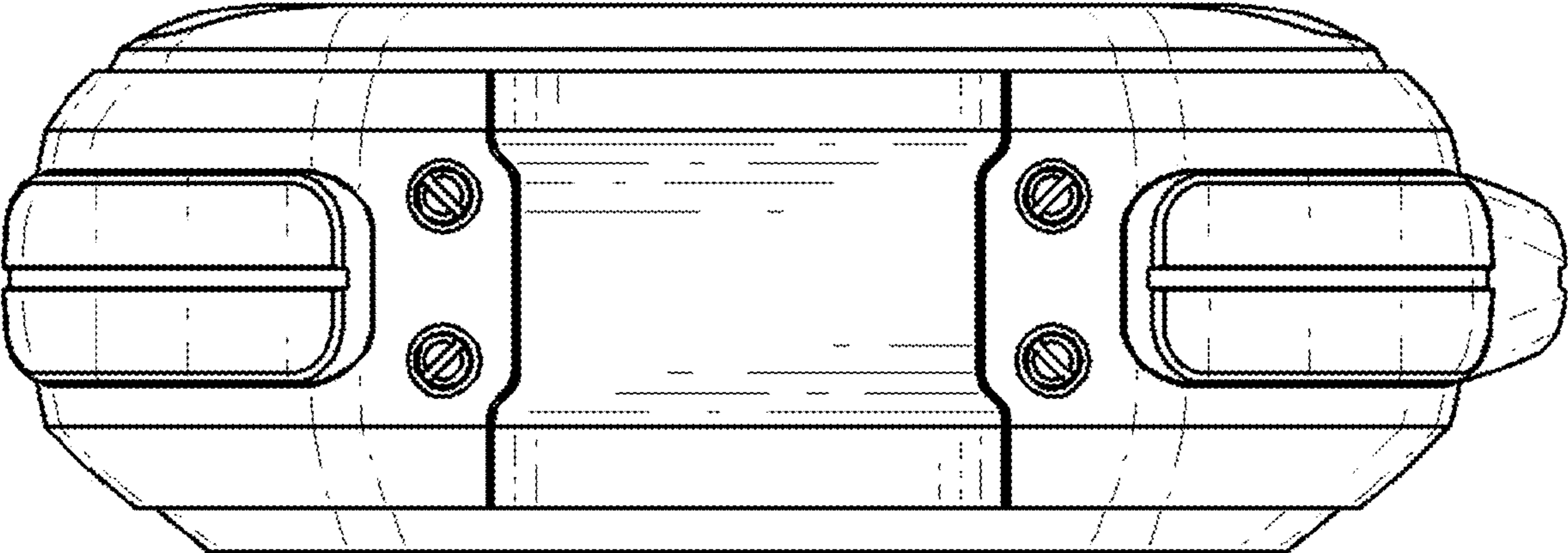


FIG. 7

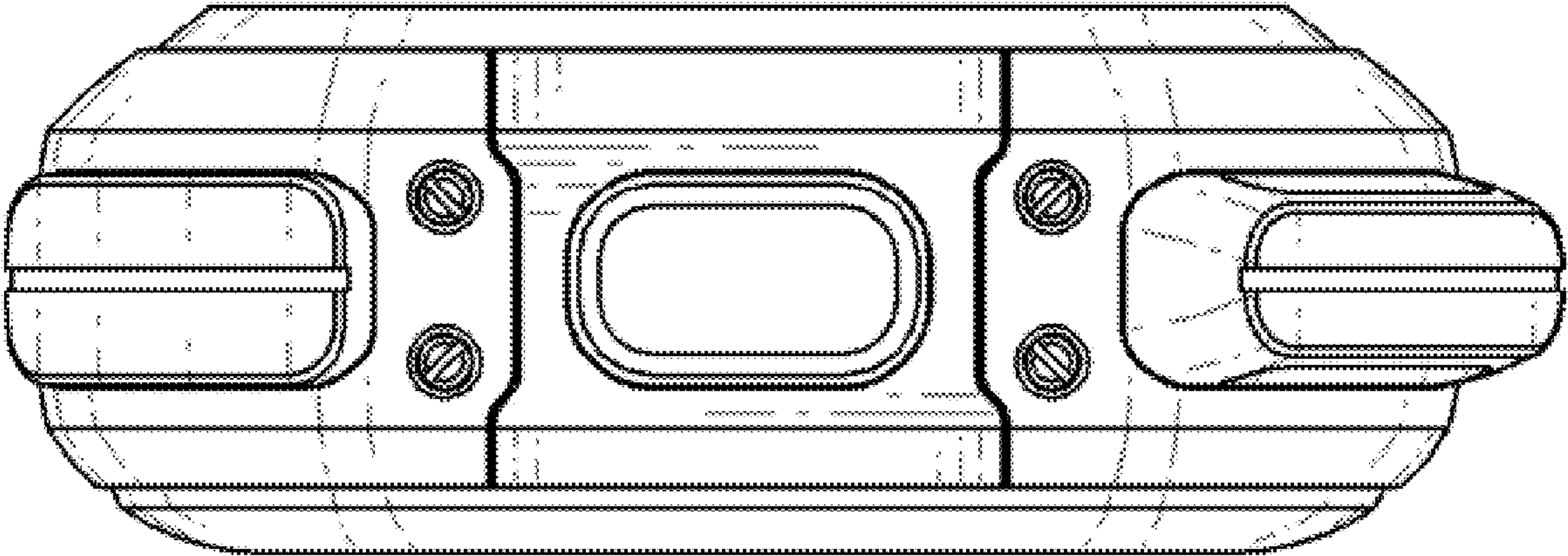


FIG. 8

