



US00D958527S

(12) **United States Design Patent**  
**Chung**

(10) **Patent No.:** **US D958,527 S**

(45) **Date of Patent:** **\*\* Jul. 26, 2022**

(54) **EARPHONE CASE**

(71) Applicant: **ISPEAKER CO., LTD.**, Goyang-Si (KR)

(72) Inventor: **Young Suk Chung**, Goyang-Si (KR)

(73) Assignee: **ISPEAKER CO., LTD.**

(\*\*) Term: **15 Years**

(21) Appl. No.: **29/736,450**

(22) Filed: **May 29, 2020**

(30) **Foreign Application Priority Data**

Mar. 6, 2020 (KR) ..... 30-2020-0010251

(51) **LOC (13) Cl.** ..... **03-01**

(52) **U.S. Cl.**  
USPC ..... **D3/273; D3/201**

(58) **Field of Classification Search**  
USPC ..... D3/272, 273, 274, 201, 205, 206, 218,  
D3/269, 282, 294; D6/315; D7/391,  
D7/601, 641; D13/107; D14/201, 223  
CPC ..... Y02E 60/12; H02J 7/0044; H04R 1/1025;  
Y01R 13/6675; B65D 85/182; A47F 8/02  
See application file for complete search history.

(56) **References Cited**

**U.S. PATENT DOCUMENTS**

D806,388 S *	1/2018	Akana	.....	D3/294
D818,268 S *	5/2018	Akana	.....	D3/294
D849,401 S *	5/2019	Akana	.....	D3/274
D878,045 S *	3/2020	Akana	.....	D3/274
D888,408 S *	6/2020	Lee	.....	D3/201
D897,678 S *	10/2020	Koh	.....	D3/294
D904,023 S *	12/2020	Wang	.....	D3/294
D910,603 S *	2/2021	Li	.....	D14/223
D911,944 S *	3/2021	Gao	.....	D13/108

D927,417 S *	8/2021	Sretovic	.....	D13/108
D929,969 S *	9/2021	Ding	.....	D14/223
D931,258 S *	9/2021	Ding	.....	D14/223
D934,563 S *	11/2021	Xiang	.....	D3/294
2020/0068285 A1 *	2/2020	Dang	.....	H02J 50/005
2020/0266640 A1 *	8/2020	Valenzuela	.....	H02J 7/0044

**FOREIGN PATENT DOCUMENTS**

CN	305563575	*	1/2020
CN	305577957	*	1/2020

(Continued)

**OTHER PUBLICATIONS**

Amazon.com, Site visited Nov. 15, 2021, Apple AirPods, First available Mar. 20, 2019, <https://www.amazon.com/Apple-AirPods-Wireless-Charging-Latest/dp/B07PYLT6DN> (Year: 2019).\*

(Continued)

*Primary Examiner* — Brett Miller

*Assistant Examiner* — Jessica M Gebhart

(74) *Attorney, Agent, or Firm* — Renaissance IP Law Group LLP

(57) **CLAIM**

The ornamental design for an earphone case, as shown and described.

**DESCRIPTION**

FIG. 1 is a perspective view showing our new design for an earphone case;

FIG. 2 is a front view thereof;

FIG. 3 is a rear view thereof;

FIG. 4 is a left side view thereof;

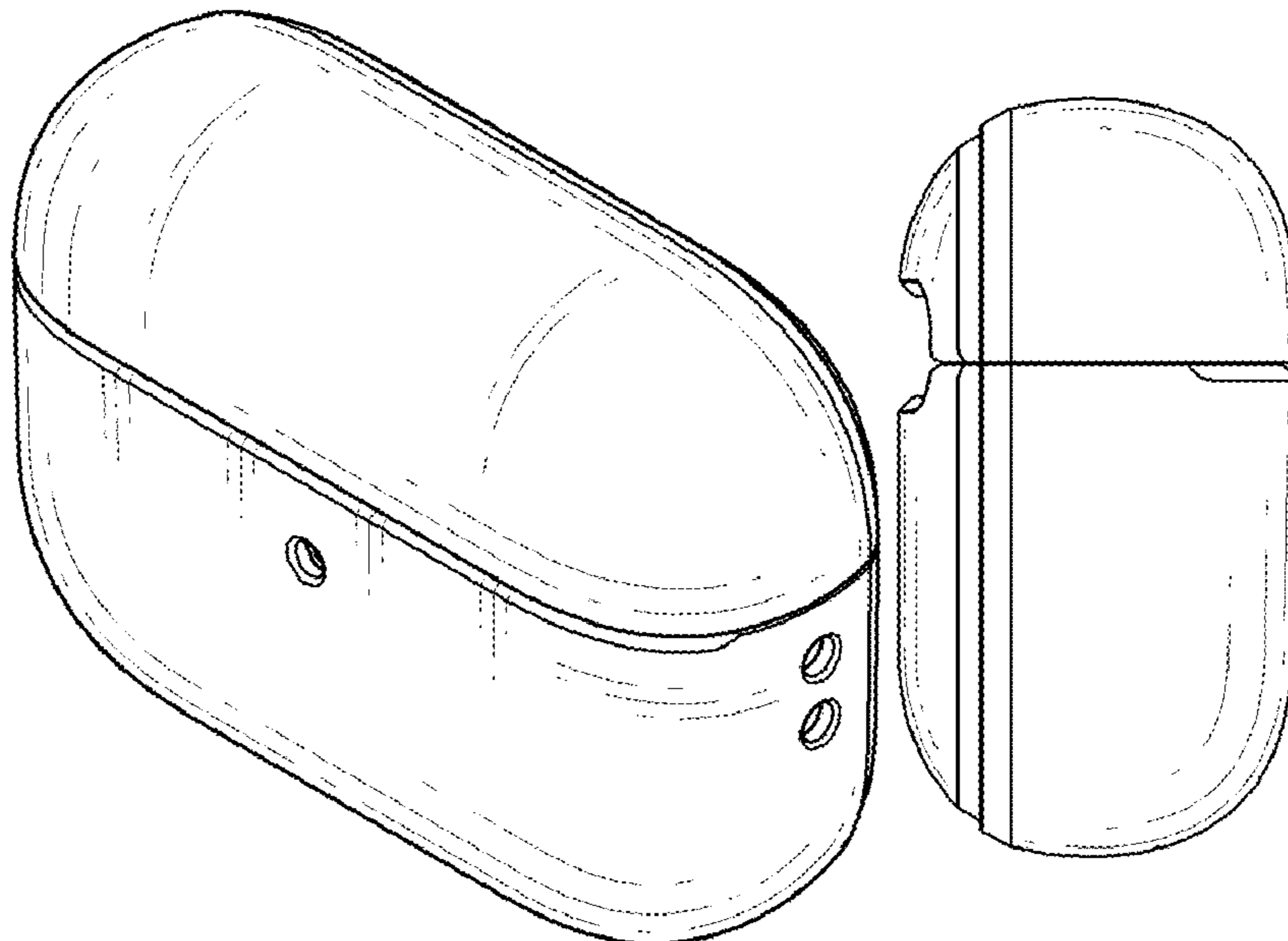
FIG. 5 is a right side view thereof;

FIG. 6 is a top plan view thereof;

FIG. 7 is a bottom plan view thereof; and,

FIG. 8 is an exploded view thereof.

**1 Claim, 7 Drawing Sheets**



(56)

**References Cited**

FOREIGN PATENT DOCUMENTS

JP	D1638460	*	8/2019
KR	301043468.0000	*	1/2020

OTHER PUBLICATIONS

Amazon.com, Site visited Nov. 15, 2021, Tozo T6 True Wireless Earbuds, First Available May 9, 2019, <https://www.amazon.com/TOZO-T6-Bluetooth-Headphones-Waterproof/dp/B07RGZ5NKS> (Year: 2019).\*

YouTube.com, Site visited Nov. 16, 2021, “Wireless Earbuds TWS F9—Budget wireless earbuds” published by Mr. Azeem on Nov. 10, 2019. Stills taken at the 3:04 and 3:09 marks: <https://youtu.be/ZHYHO0D-L3U> (Year: 2019).\*

Standard.co.uk, Site Visited Nov. 16, 2021, Studio Colour case by Tech21 featured in the article “22 Best Cases for AriPods and AirPods Pro” by Ellie Davis. Published Jan. 29, 2020: <https://www.standard.co.uk/shopping/esbest/gadgets-tech/gadgets-accessories/best-apple-airpod-cases-a4346711.html> (Year: 2020).\*

Amazon.com, Site visited Nov. 16, 2021, JBL Tune 225TWS True Wireless Earbud Headphones, First Available May 14, 2020, <https://www.amazon.com/JBL-225TWS-Wireless-Earbud-Headphones/dp/B088NDGYPX> (Year: 2020).\*

Amazon.com, Site visited Nov. 16, 2021, VRS Design Modern for Apple AirPods Pro Case (2019), First available Apr. 23, 2020, <https://www.amazon.com/VRS-Design-Modern-Apple-Airpods/dp/B087KLH3VG> (Year: 2020).\*

\* cited by examiner

FIG. 1

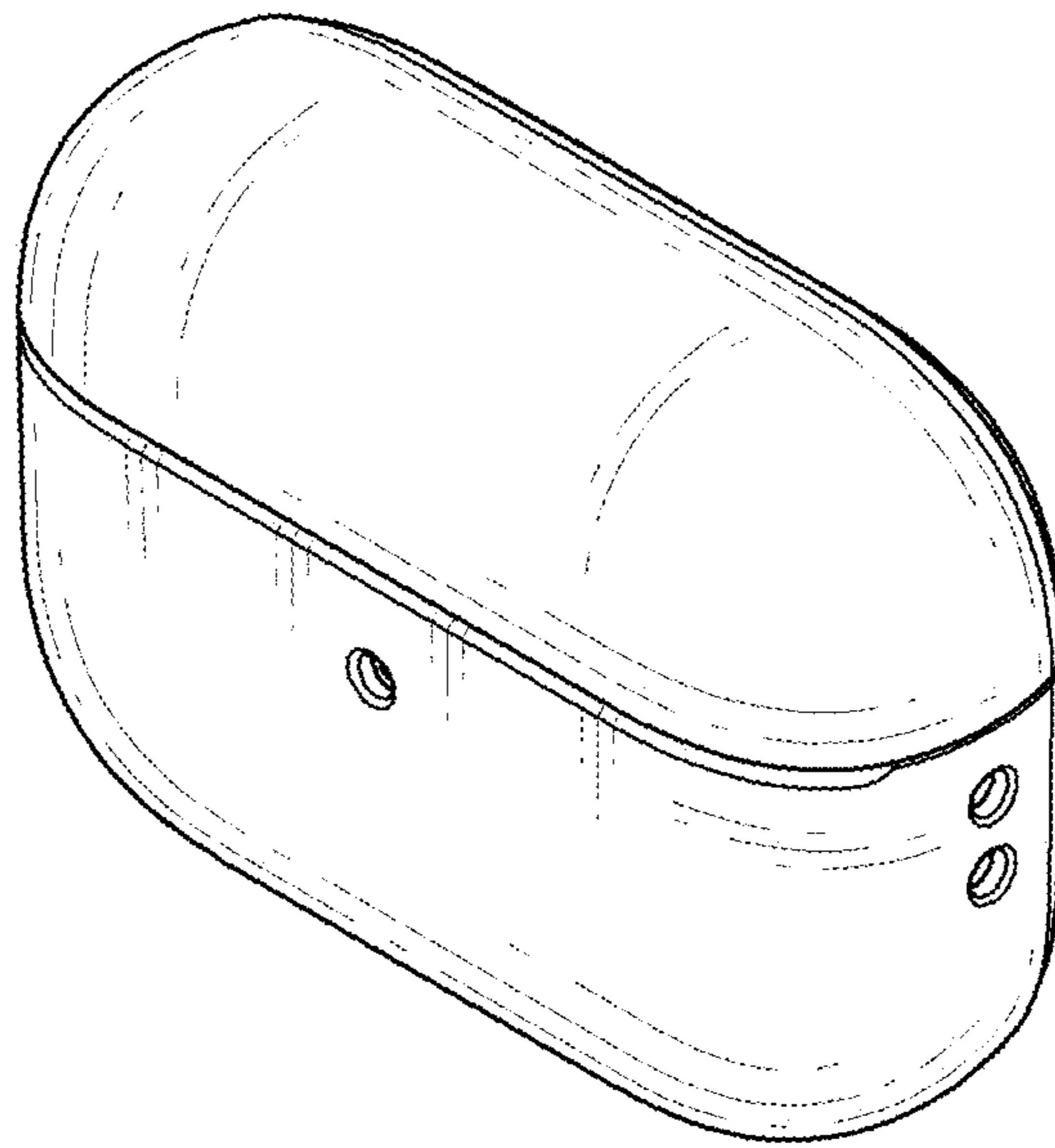


FIG. 2

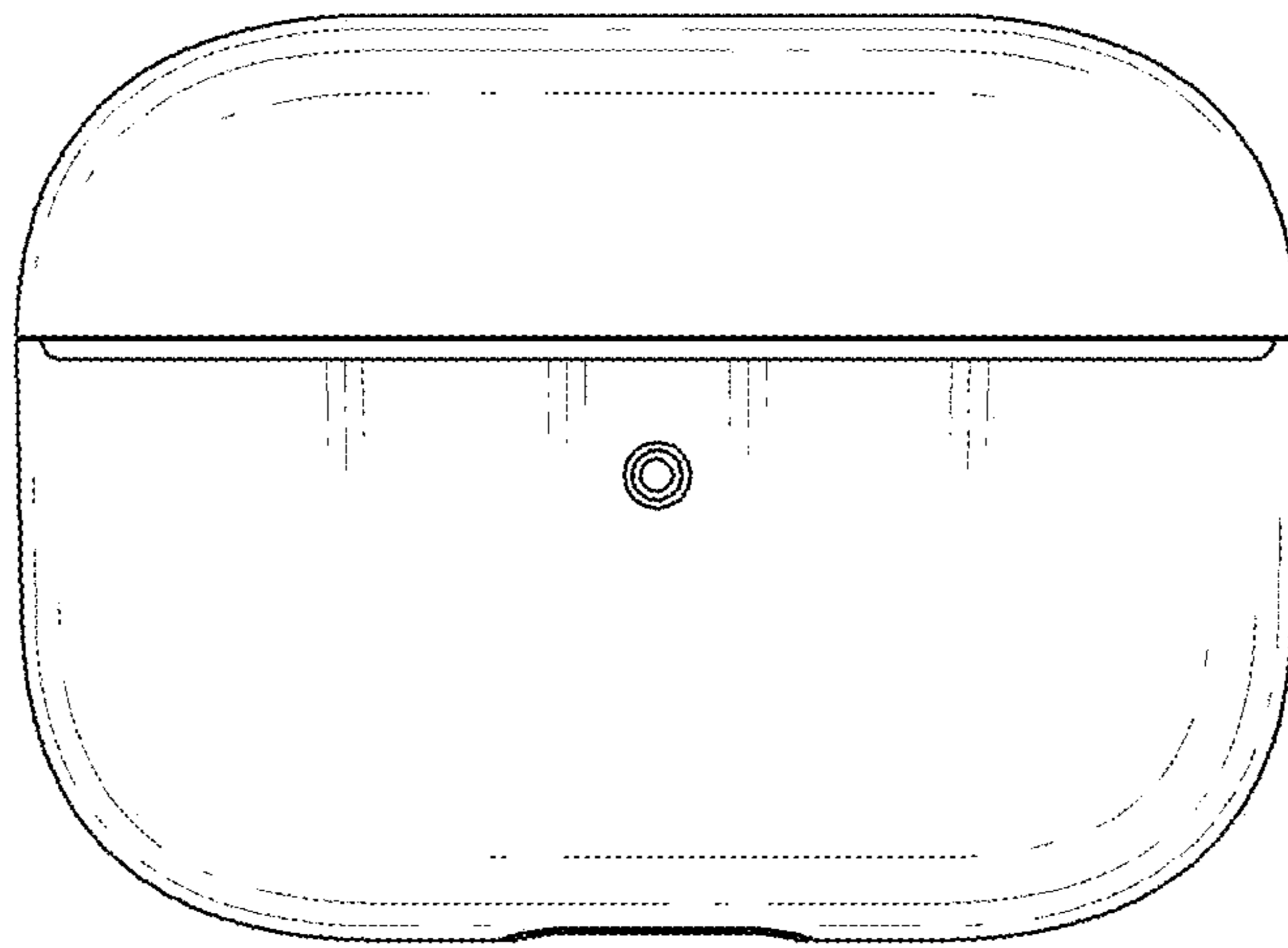


FIG. 3

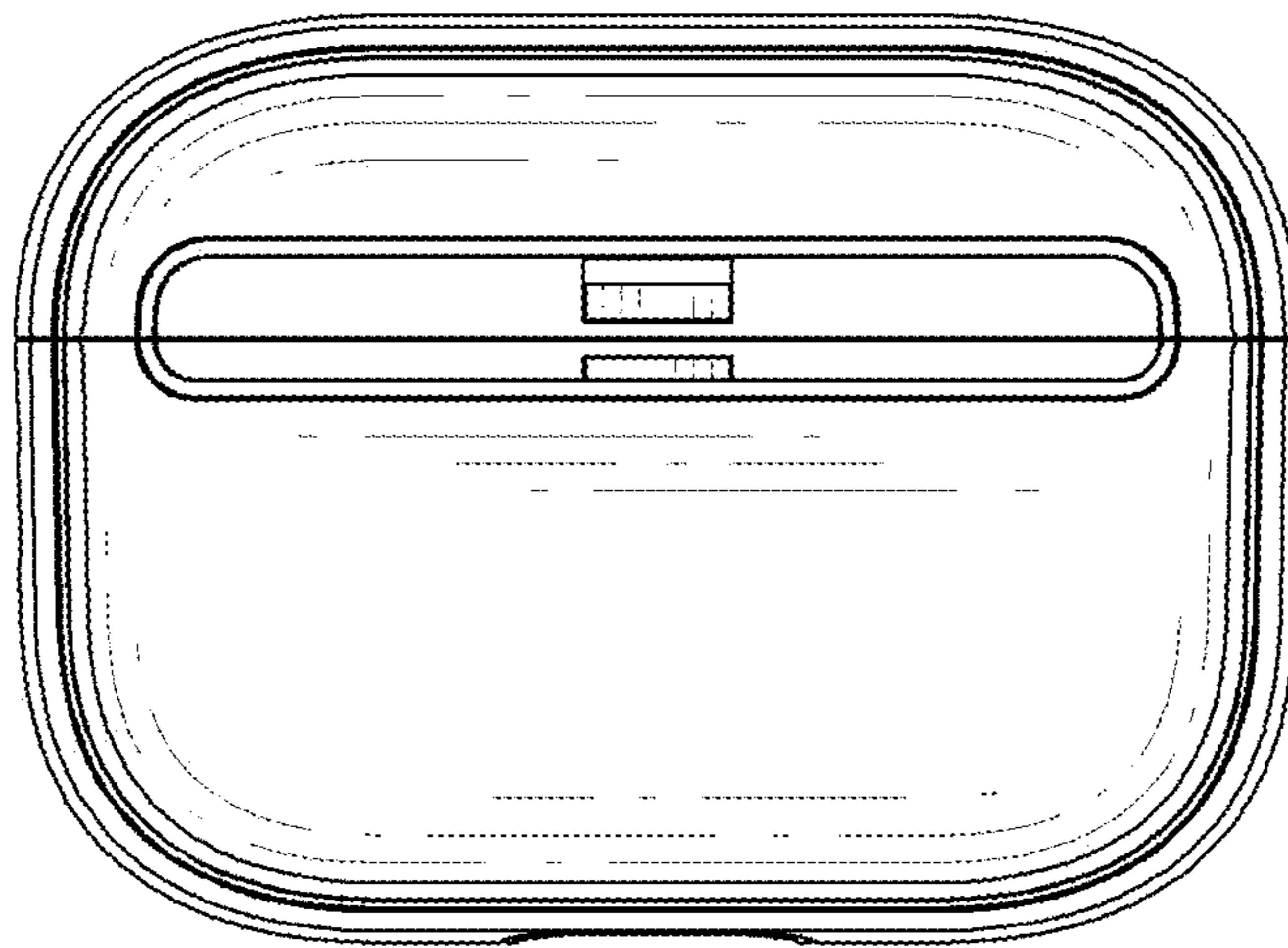


FIG. 4

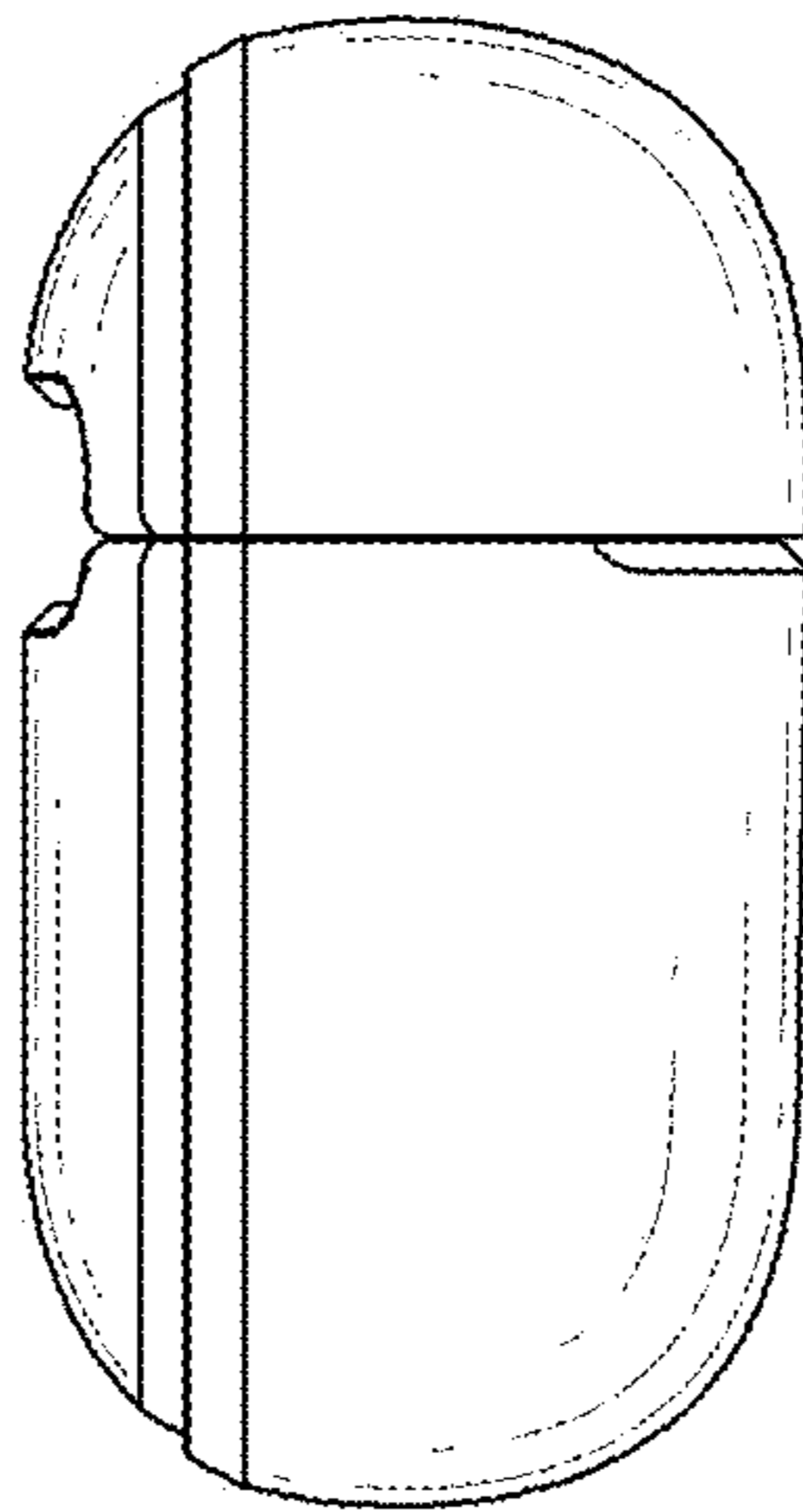


FIG. 5

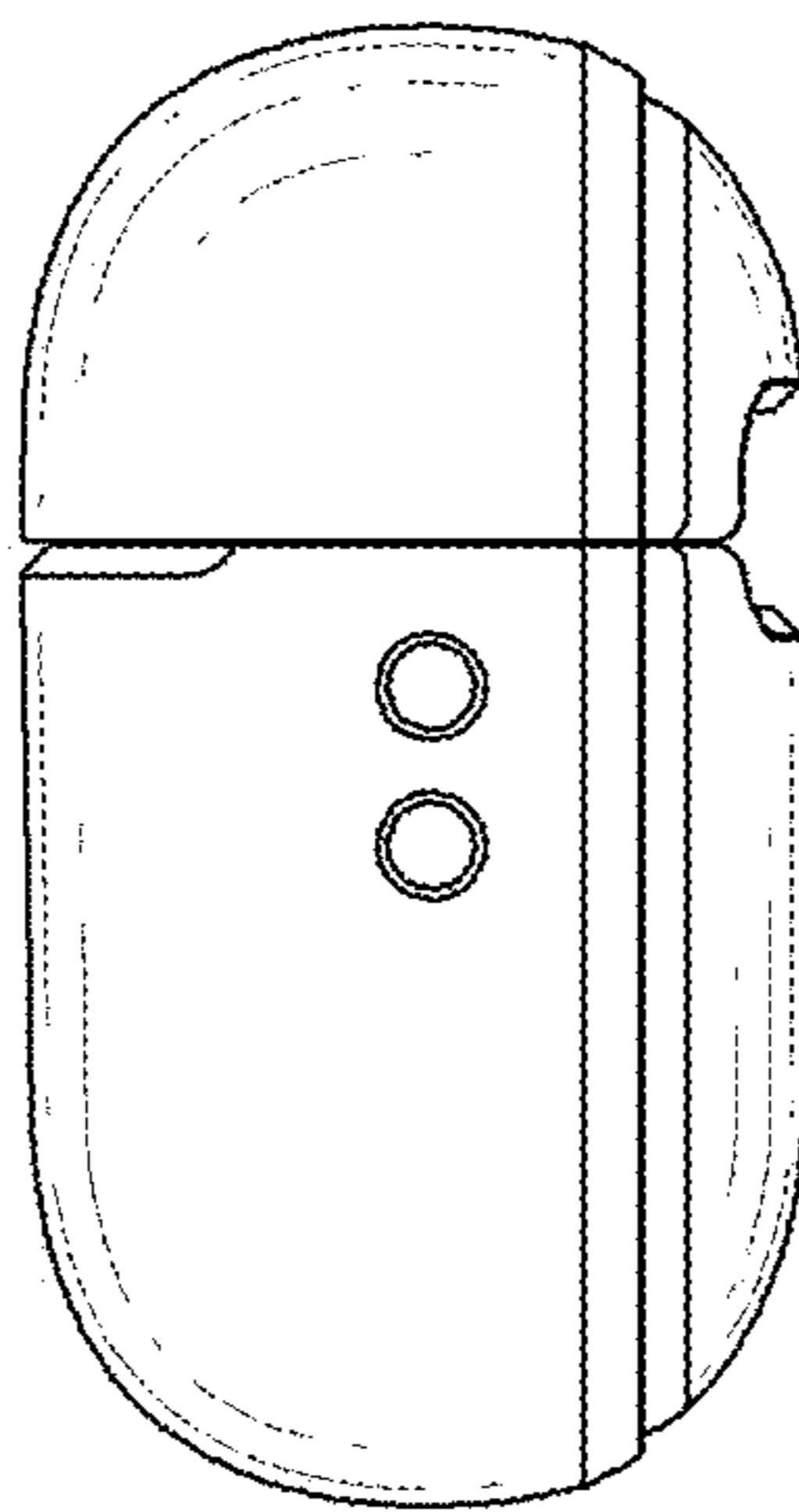


FIG. 6

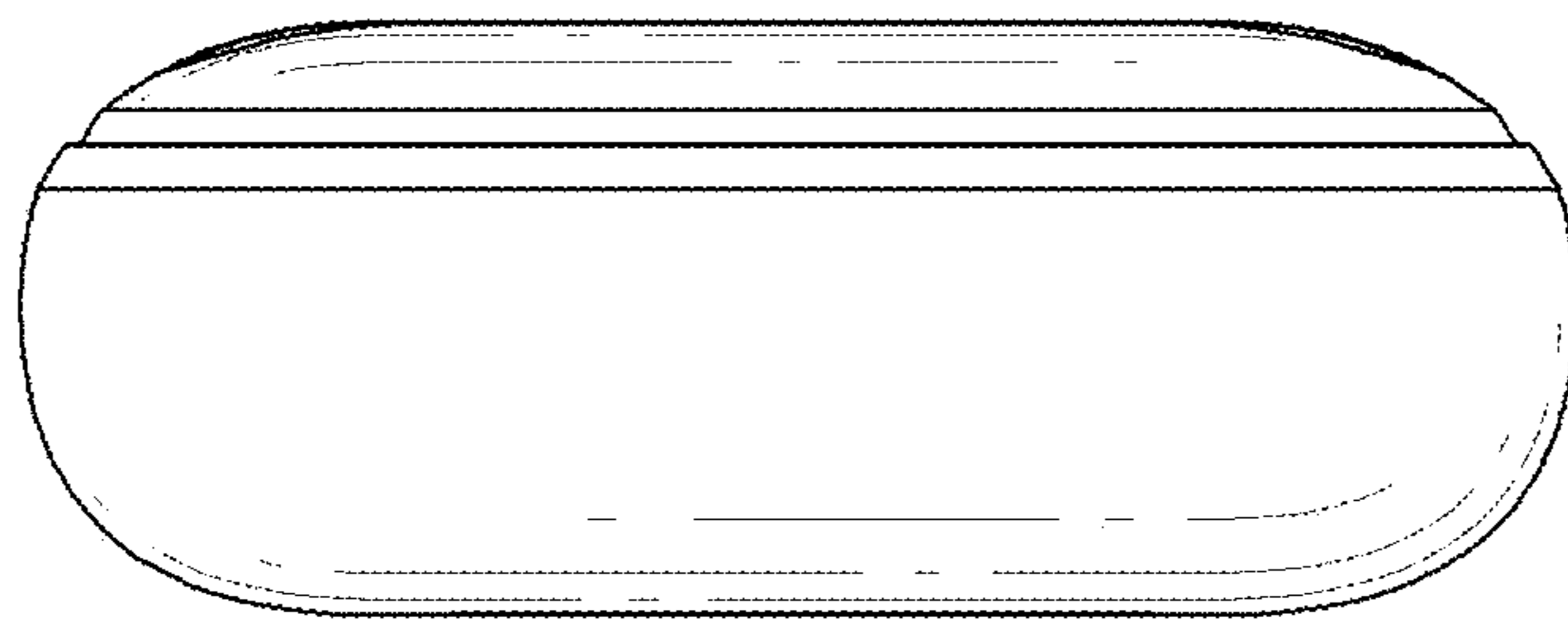


FIG. 7

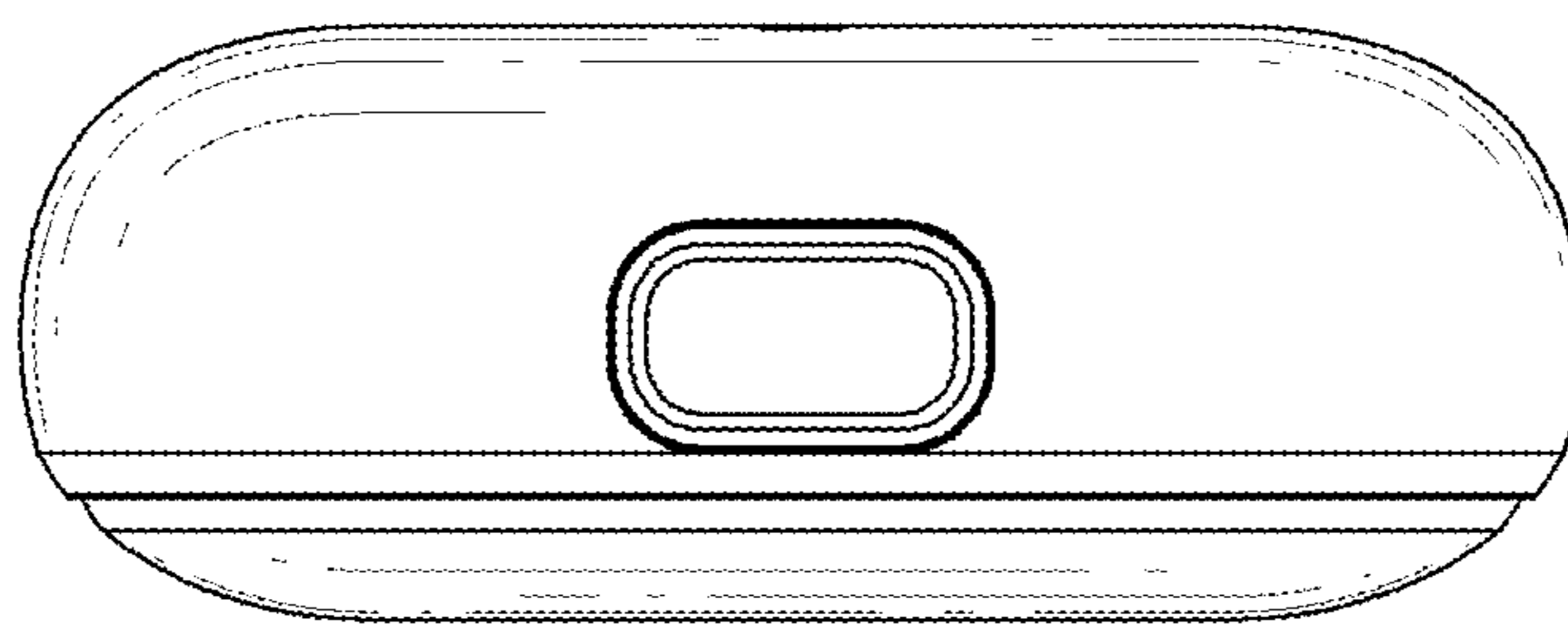




FIG. 8

