



US00D958526S

(12) **United States Design Patent**  
**Ranciato et al.**

(10) **Patent No.:** **US D958,526 S**  
(45) **Date of Patent:** **\*\* Jul. 26, 2022**

(54) **TACKLE BOX**  
(71) Applicants: **Nicole Alexis Ranciato**, Wesley Chapel, FL (US); **Chip Lloyd Whalen**, Wesley Chapel, FL (US)

D410,334 S 6/1999 Sanders, Jr. et al.  
D415,891 S 11/1999 Renna  
D415,894 S \* 11/1999 Courville ..... D3/905  
D423,778 S 5/2000 Rahal  
D438,931 S 3/2001 Gomez  
(Continued)

(72) Inventors: **Nicole Alexis Ranciato**, Wesley Chapel, FL (US); **Chip Lloyd Whalen**, Wesley Chapel, FL (US)

**OTHER PUBLICATIONS**

Tackle Box google search; google.com; Mar. 21, 2022.\*

(73) Assignee: **CAN OF WHOOPBASS, LLC**, Wesley Chapel, FL (US)

*Primary Examiner* — Mitchell I. Siegel  
(74) *Attorney, Agent, or Firm* — Smith & Hopen, P.A.; Paul Murty; Owen Behrens

(\*\*) Term: **15 Years**

(57) **CLAIM**

(21) Appl. No.: **29/788,681**

The ornamental design for a tackle box, as shown and described.

(22) Filed: **Jul. 15, 2021**

**DESCRIPTION**

(51) **LOC (13) Cl.** ..... **03-01**  
(52) **U.S. Cl.**  
USPC ..... **D3/260**  
(58) **Field of Classification Search**  
USPC ..... D3/201, 254, 260, 270, 271.1, 273  
CPC ..... A45C 11/20; A01K 97/06-10  
See application file for complete search history.

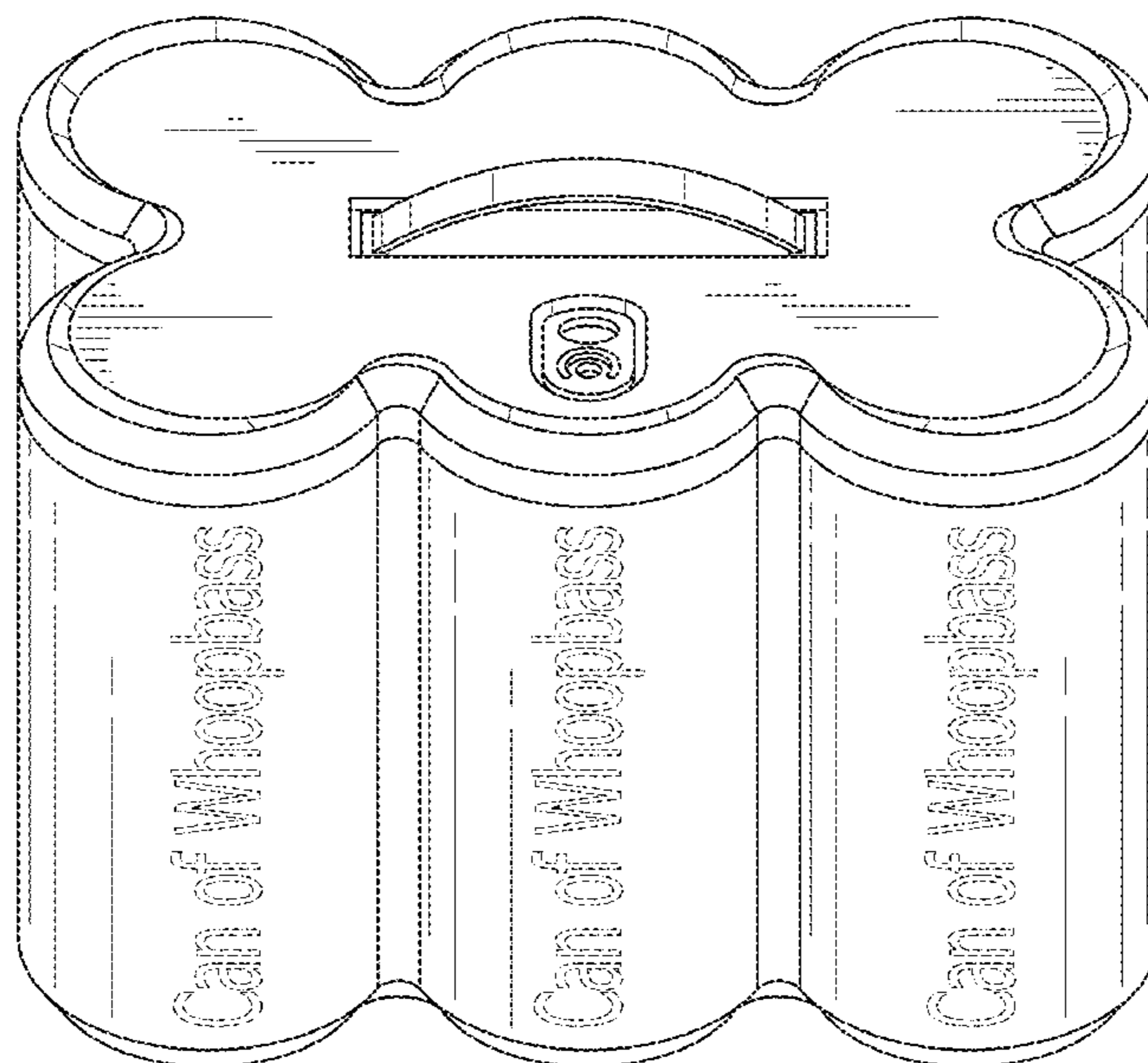
FIG. 1 is a top perspective view of a tackle box.  
FIG. 2 is a front elevation view thereof.  
FIG. 3 is a rear elevation view thereof.  
FIG. 4 is a right-side elevation view thereof.  
FIG. 5 is a left-side elevation view thereof.  
FIG. 6 is a top plan view thereof.  
FIG. 7 is a bottom plan view thereof.  
FIG. 8 is a front perspective view of thereof, showing the tackle box in a position of use with a handle portion extended away from a top portion of the tackle box.  
FIG. 9 is a front perspective exploded view of thereof, showing the tackle box in a position of use with an interior portion of the tackle box exposed with a lid removed; and, FIG. 10 is a front perspective view of thereof, showing the tackle box in a position of use stacked on top of another tackle box.  
The broken lines are shown for the purpose of illustrating environmental subject matter, including an exterior logo, exemplary tackle in the form of hooks and lures, an interior tray, and a second stackable tackle box. None of the broken lines form part of the claimed design.

(56) **References Cited**

**U.S. PATENT DOCUMENTS**

4,067,607 A \* 1/1978 Battles ..... A01K 97/22  
D3/905  
D248,253 S 6/1978 Sugimoto  
4,827,658 A \* 5/1989 Wolniak ..... A01K 97/06  
43/57.1  
D321,983 S 12/1991 Tackett et al.  
D325,122 S 4/1992 Meyers  
D354,395 S 1/1995 Harrold et al.  
D373,614 S 9/1996 Bevill  
D388,606 S 1/1998 Zak et al.  
5,813,528 A \* 9/1998 Bliak ..... A01K 97/06  
312/285  
D401,059 S \* 11/1998 Blackburn ..... D3/260

**1 Claim, 7 Drawing Sheets**



(56)

**References Cited**

U.S. PATENT DOCUMENTS

D475,432	S	6/2003	LaLande	
6,679,377	B2 *	1/2004	Maddox .....	A01K 97/06 206/315.11
D506,061	S *	6/2005	McGibben .....	D3/905
D567,505	S	4/2008	Le Coq et al.	
D575,060	S	8/2008	Snyder et al.	
D587,015	S	2/2009	Le Coq et al.	
D645,247	S	9/2011	Hoffman	
D660,589	S *	5/2012	Ayjian .....	D3/279
D665,166	S	8/2012	Khalifa	
D666,873	S	9/2012	Gluck	
D711,650	S *	8/2014	Costello .....	D3/297
D887,135	S *	6/2020	Tan .....	D3/260
D896,514	S	9/2020	Tan	
D904,017	S	12/2020	Flaherty	
D941,577	S *	1/2022	Fernandes .....	D3/905
D941,578	S *	1/2022	Fernandes .....	A45C 5/06 D3/905
2012/0110889	A1 *	5/2012	DeSpiegelaere .....	A01K 97/08 29/428

\* cited by examiner

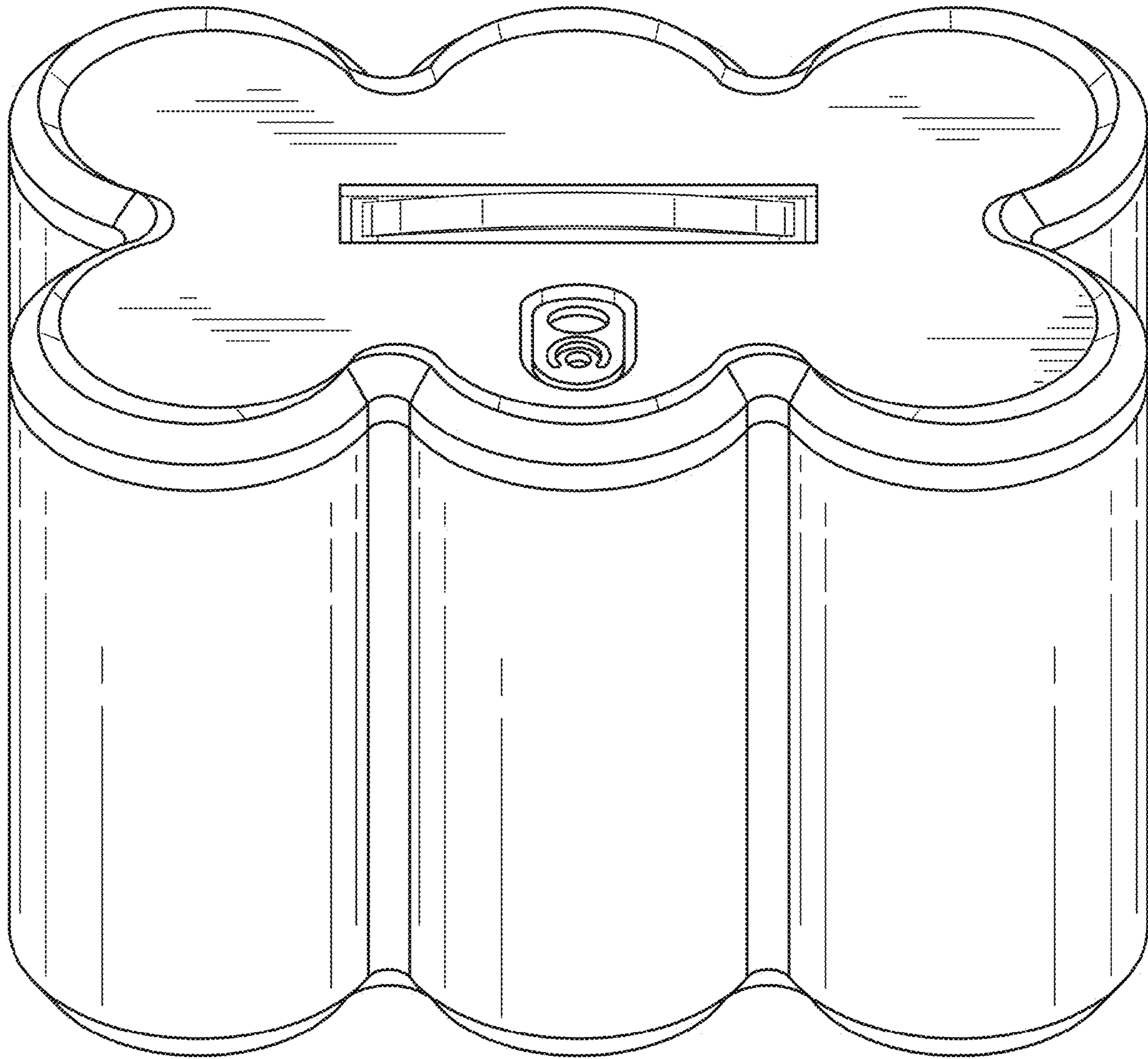


FIG. 1

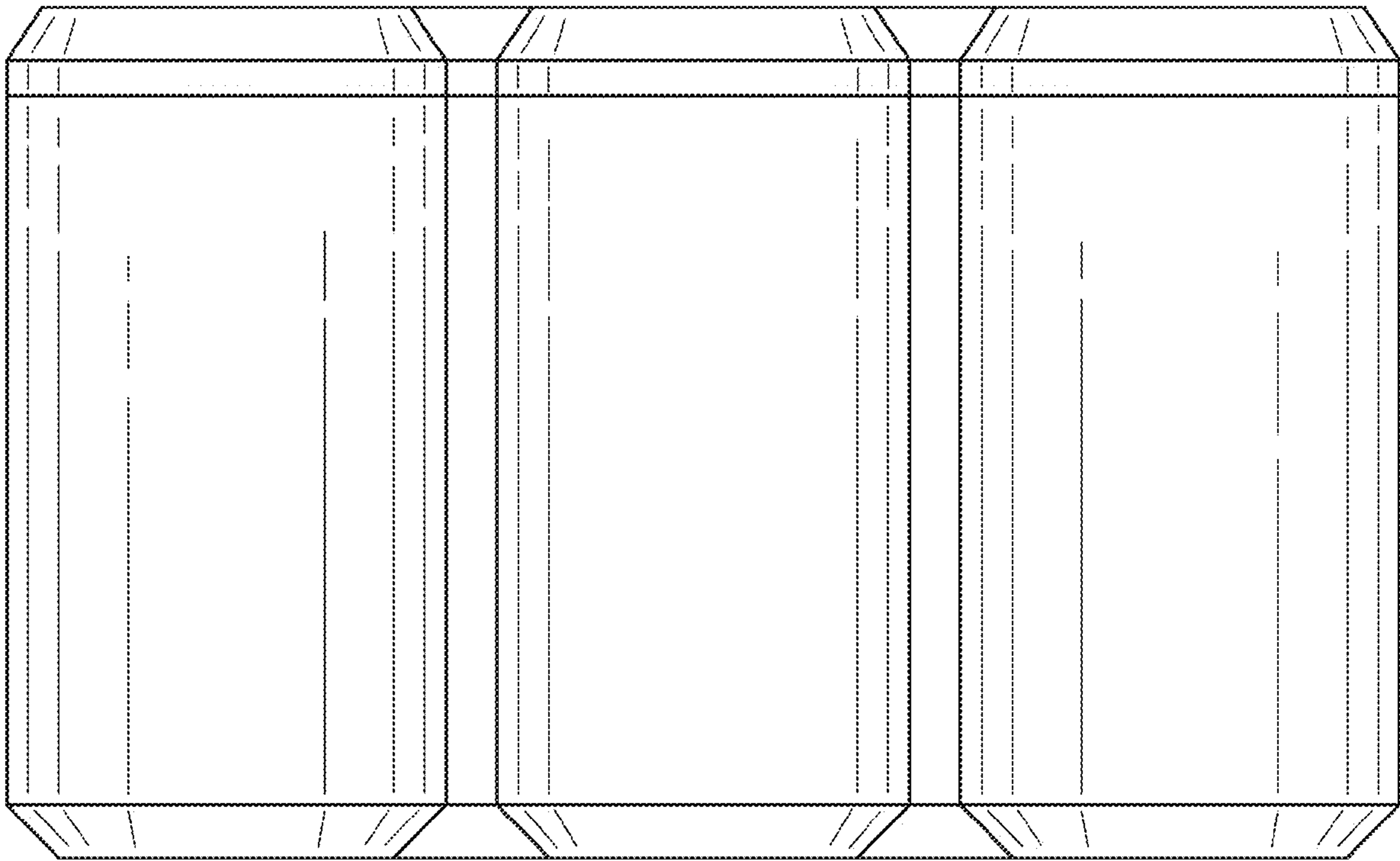


FIG. 2

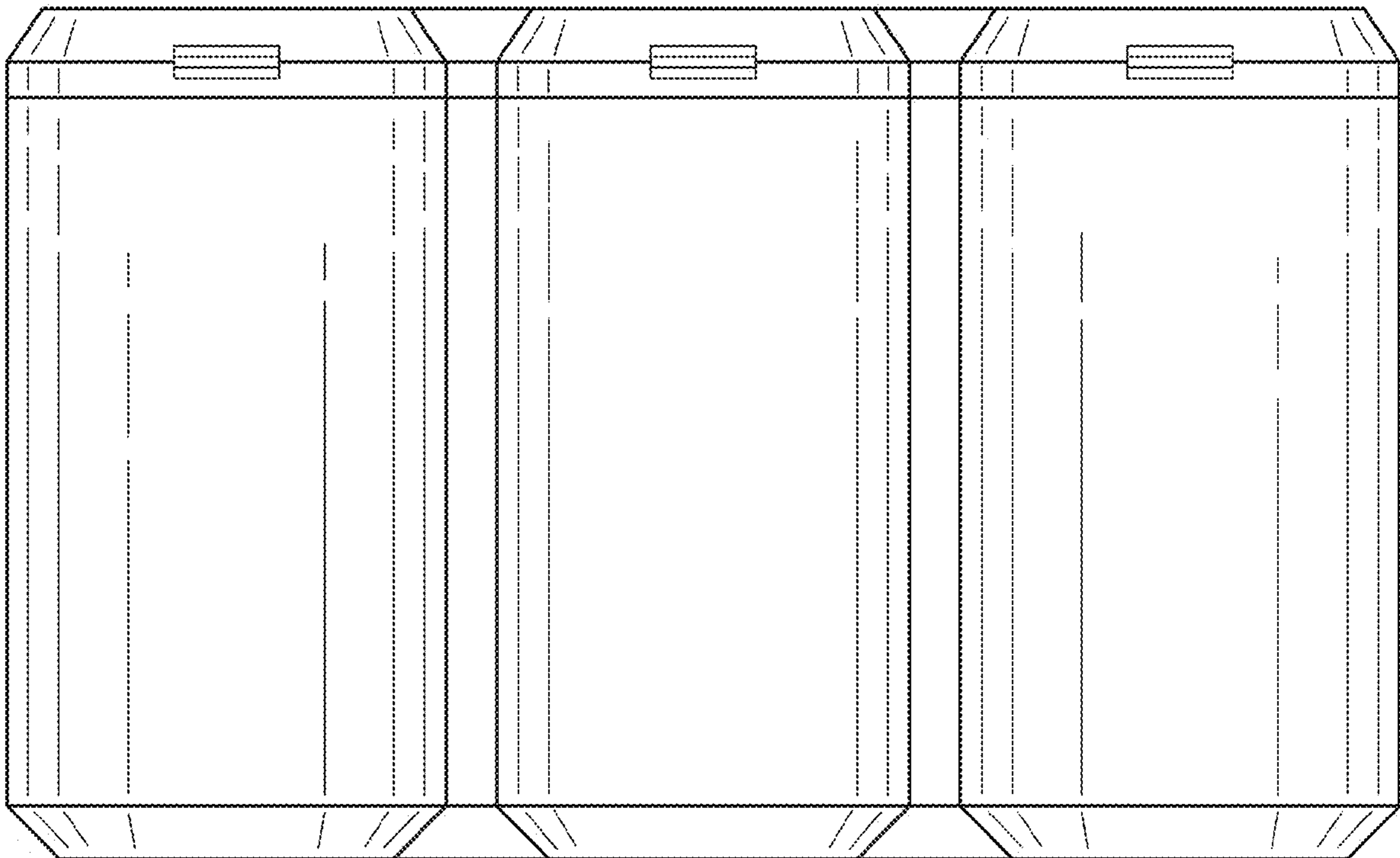


FIG. 3

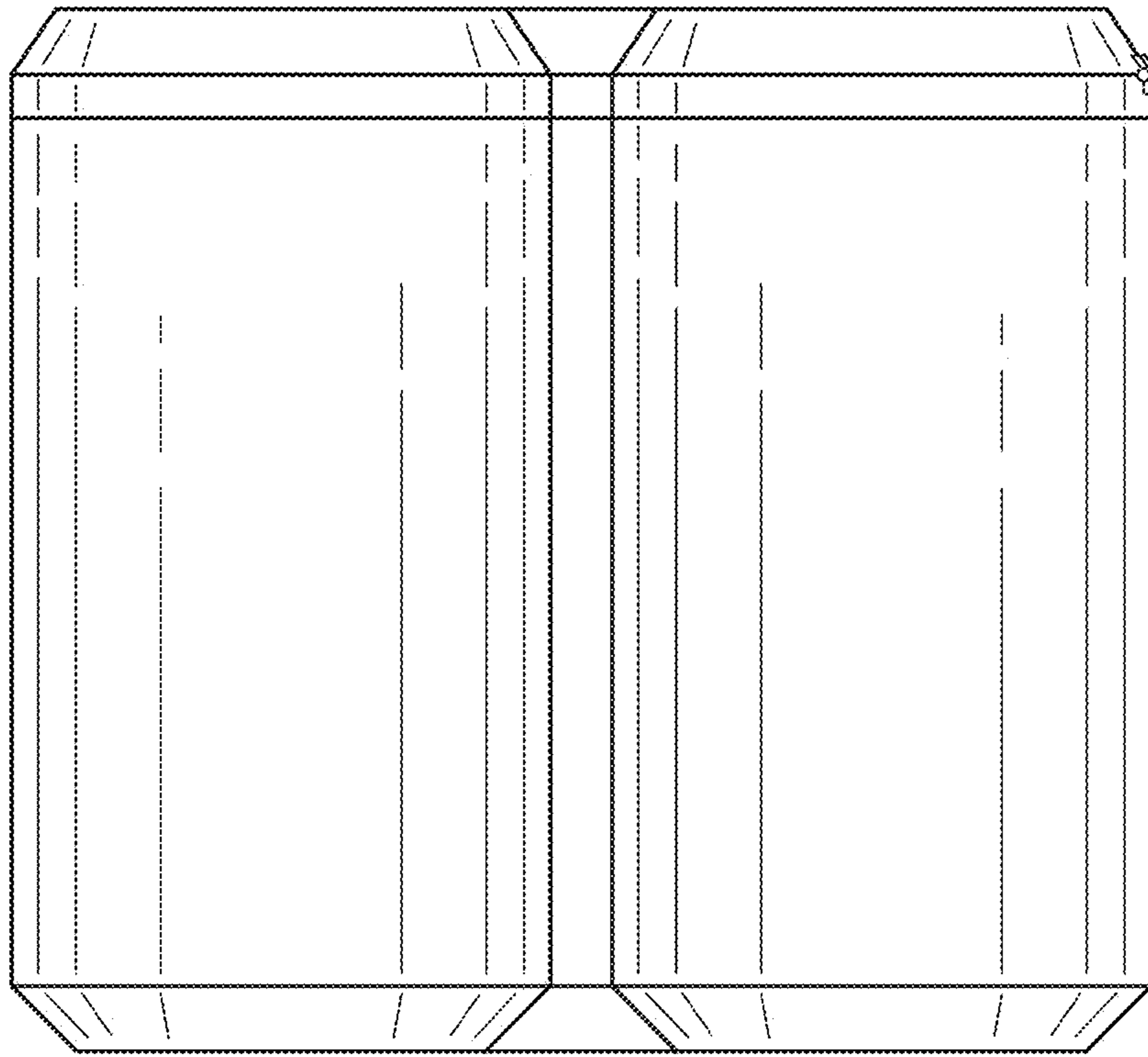


FIG. 4

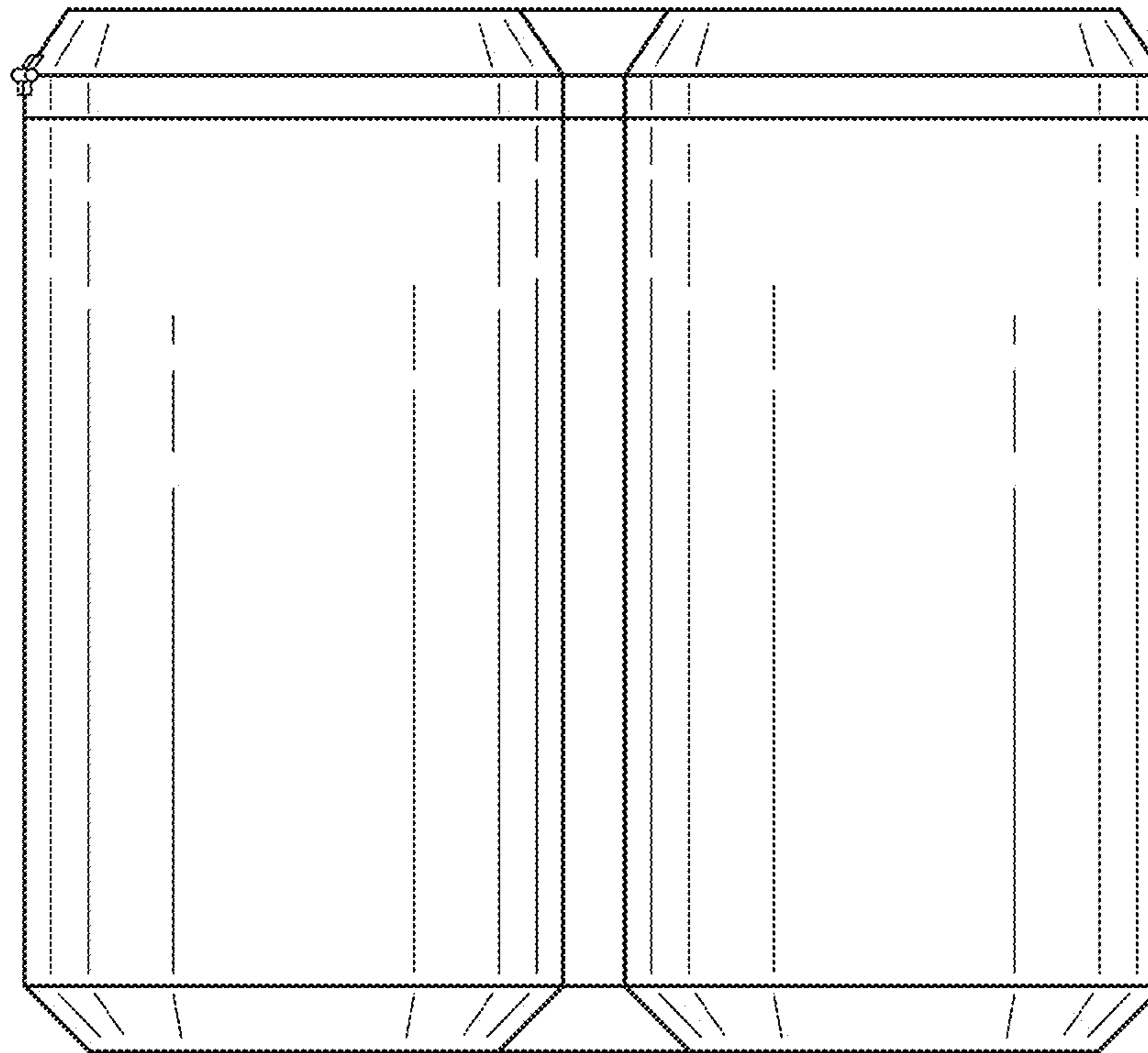


FIG. 5

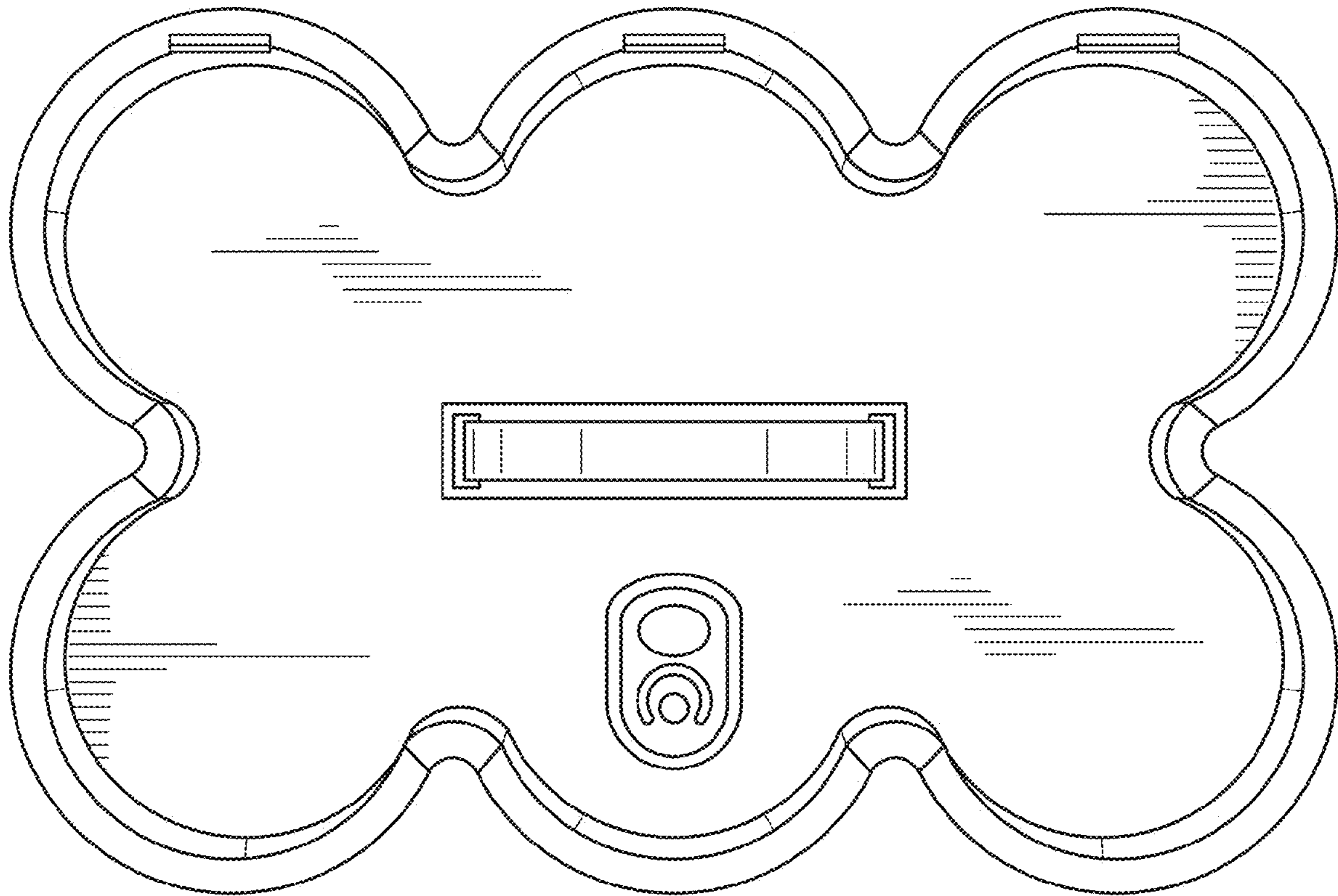


FIG. 6

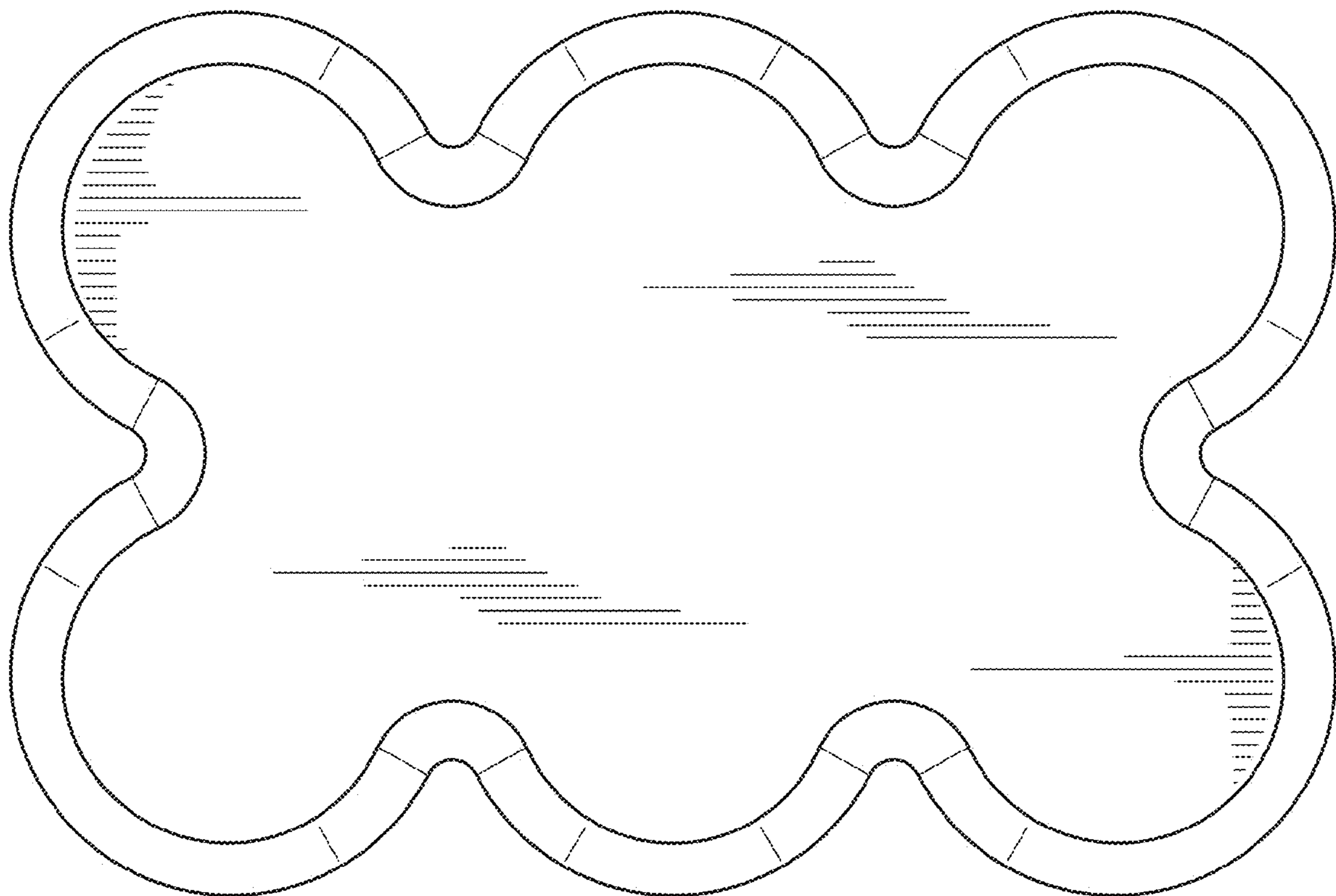


FIG. 7

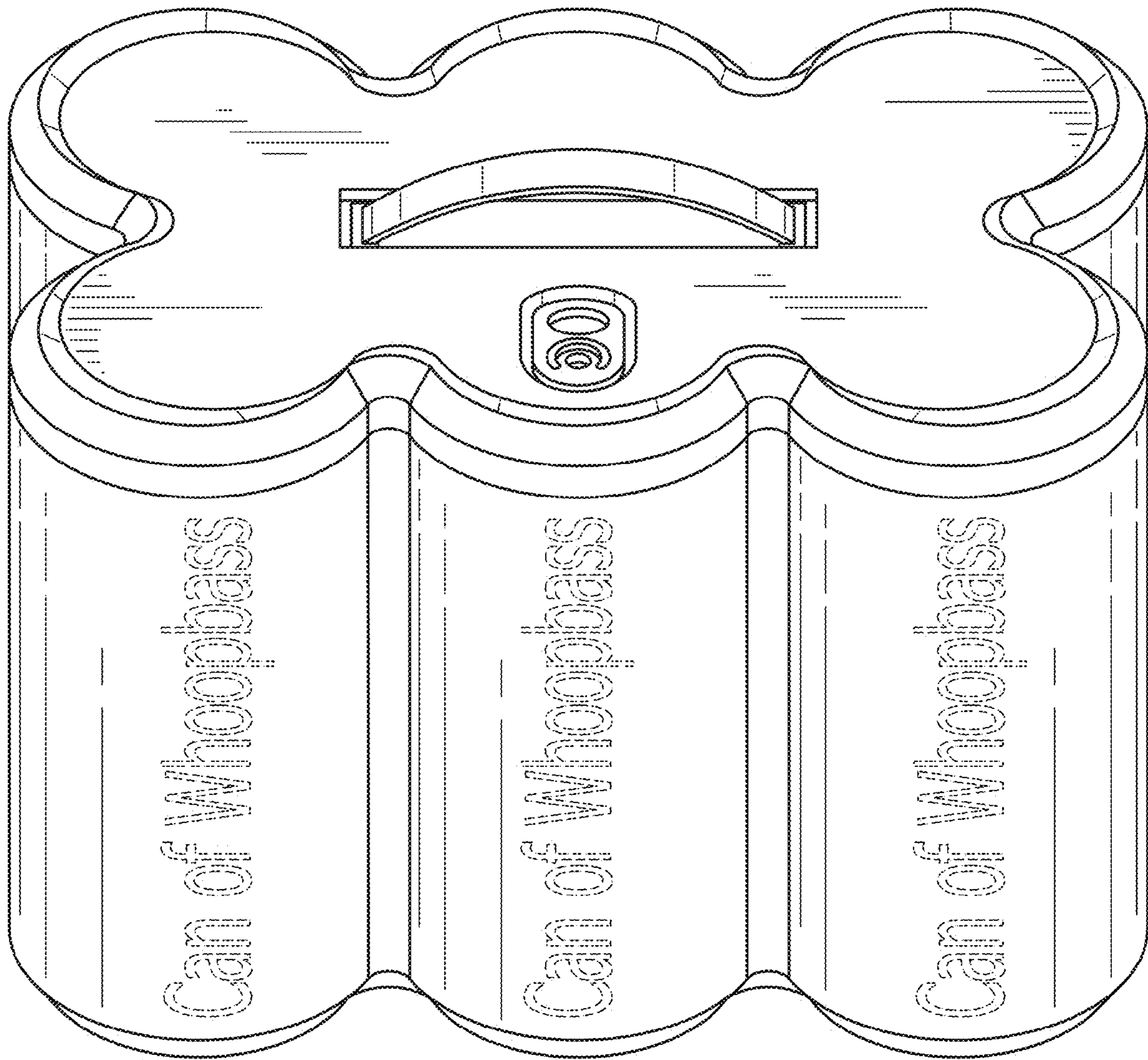


FIG. 8

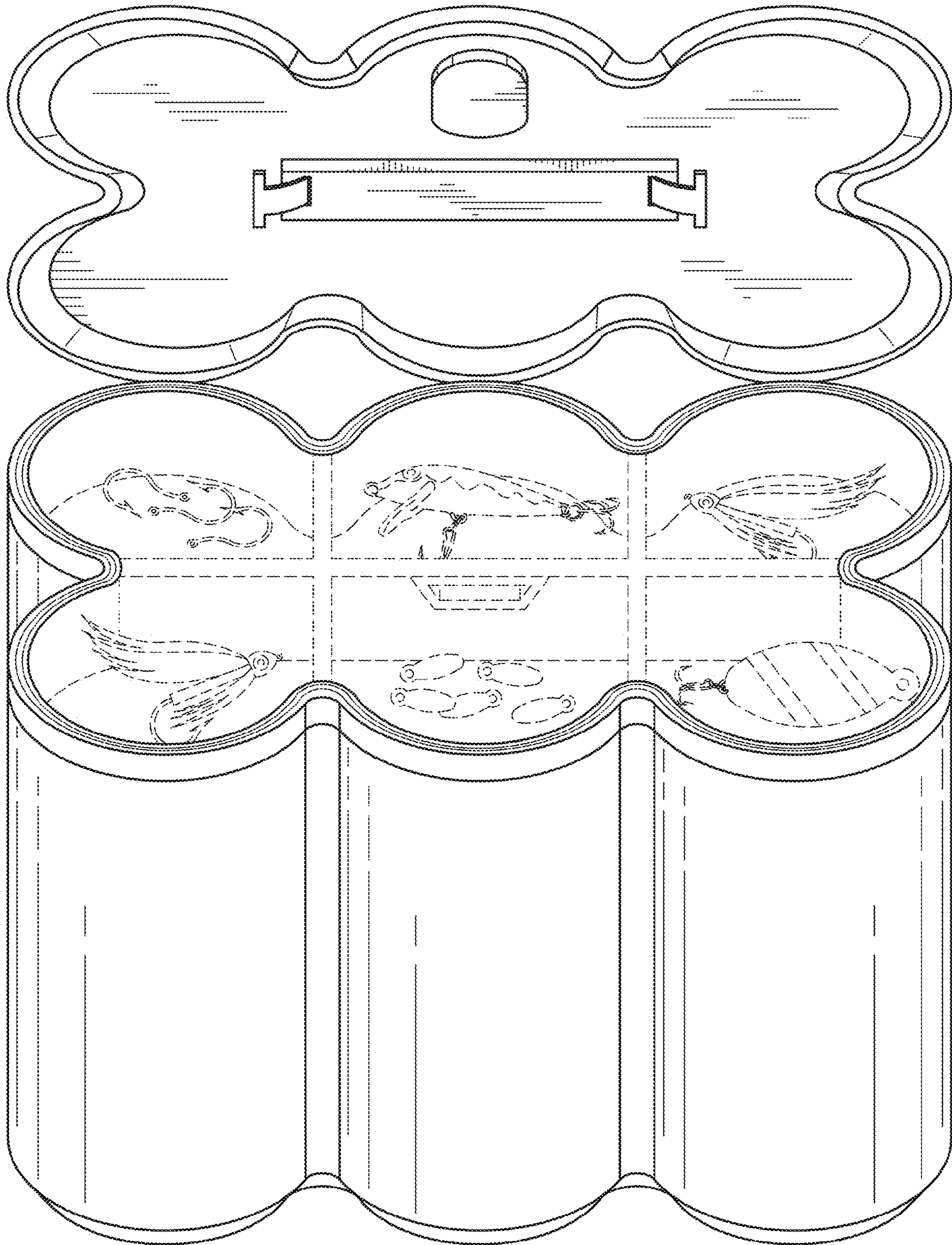


FIG. 9



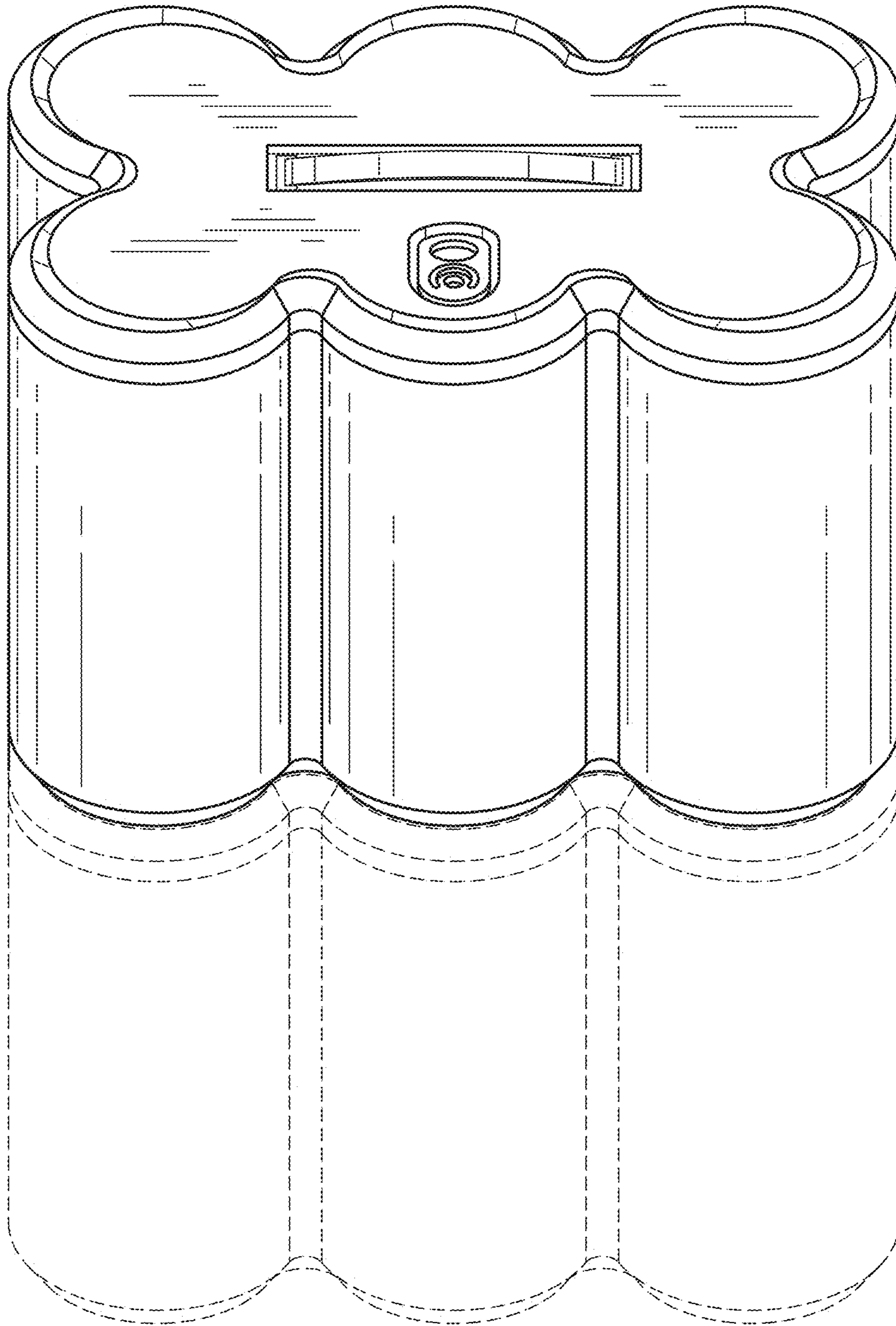


FIG. 10